

AYCO

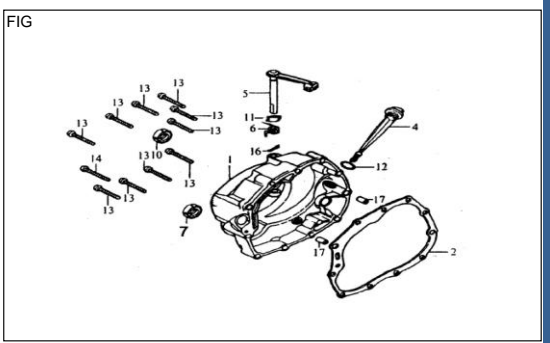
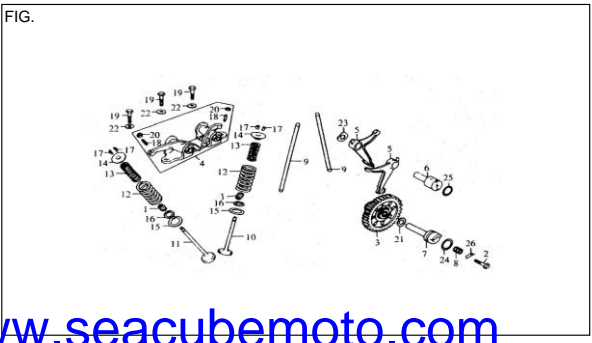
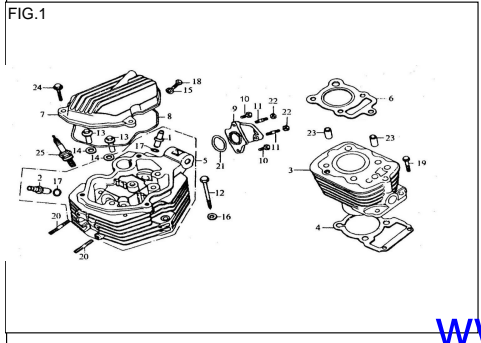
CATALOGO DE PARTES

www.seacubemoto.com

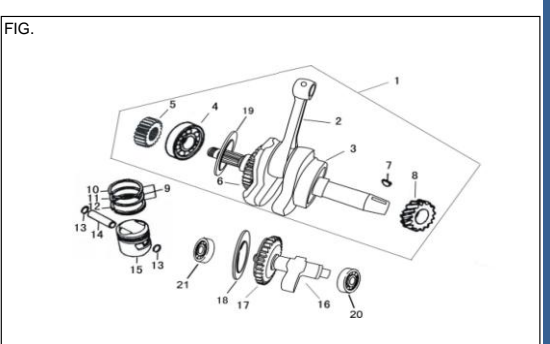
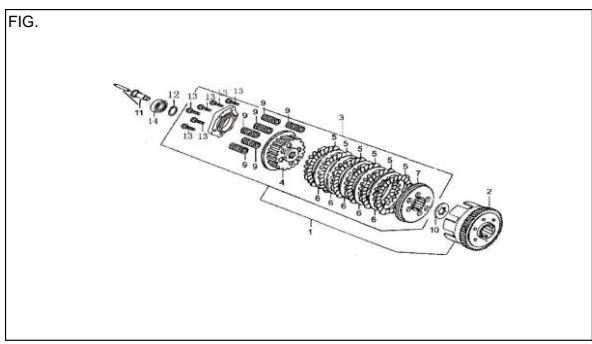
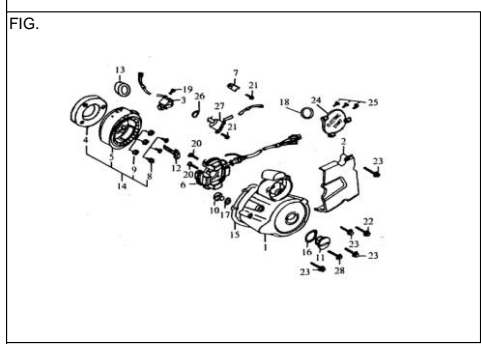
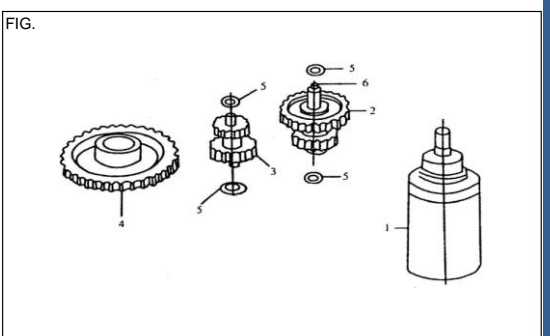
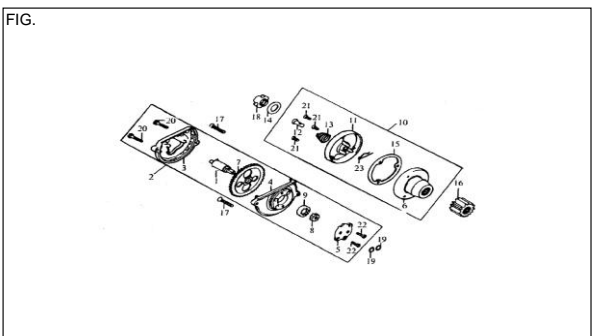
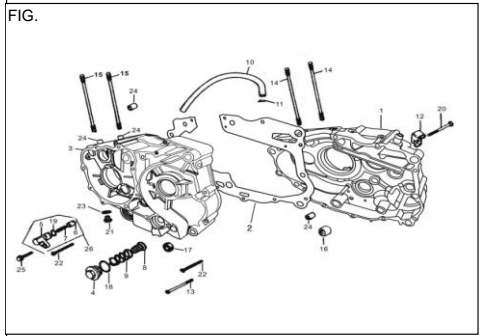
AYZ 200

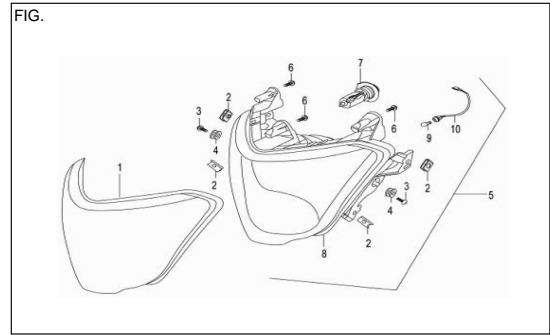
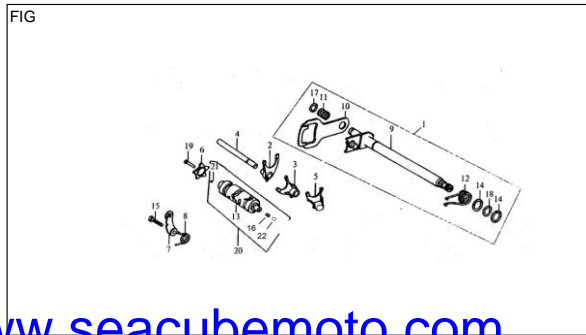
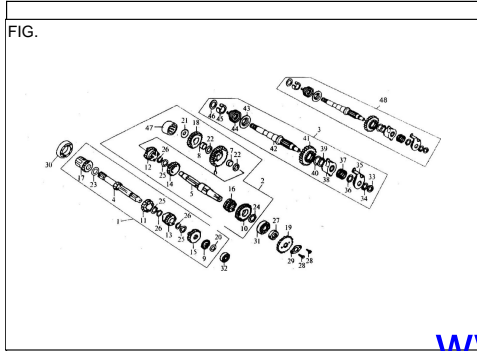
2013



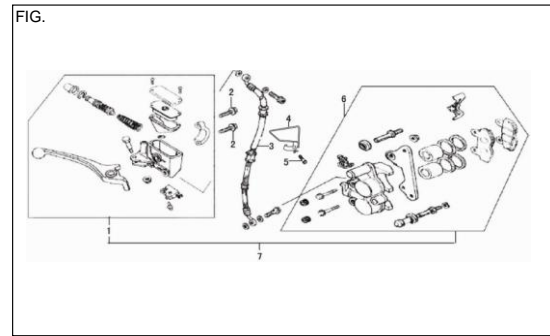
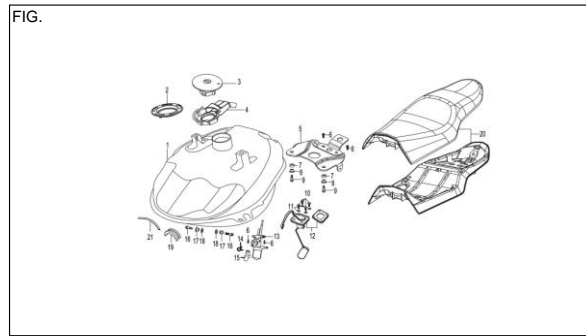
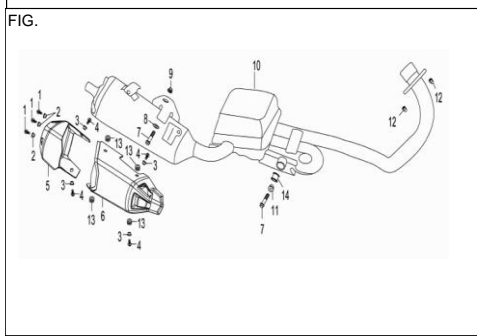
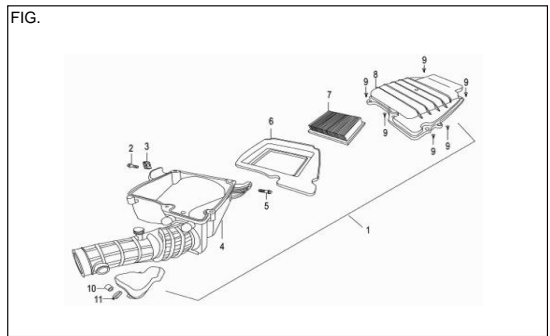
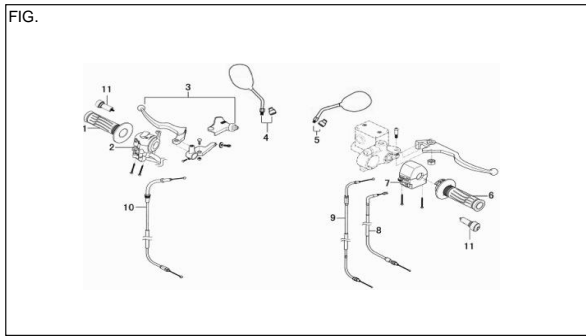
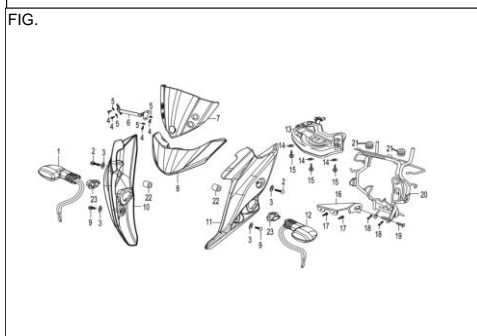


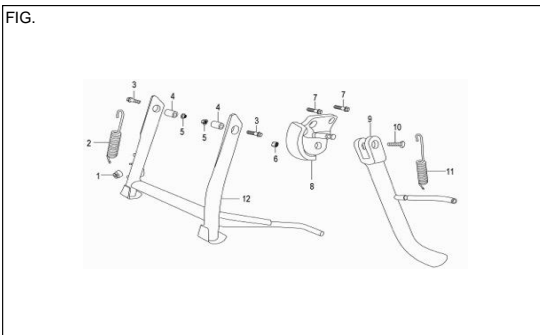
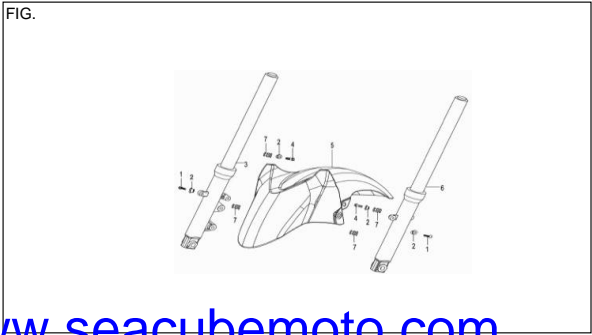
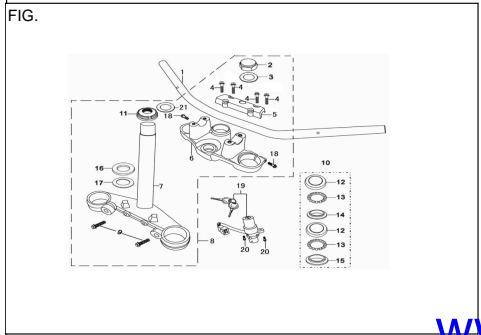
www.seacubemoto.com



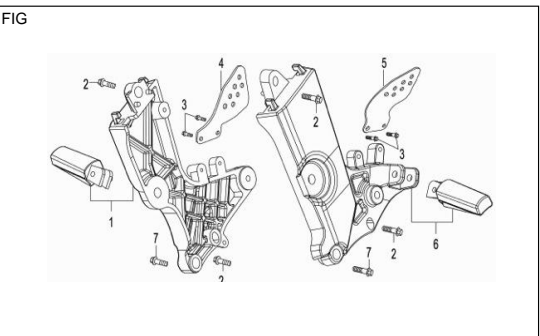
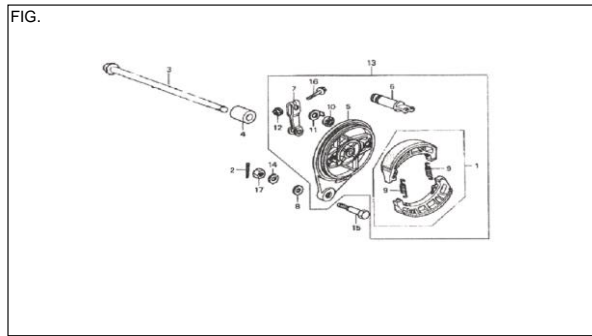
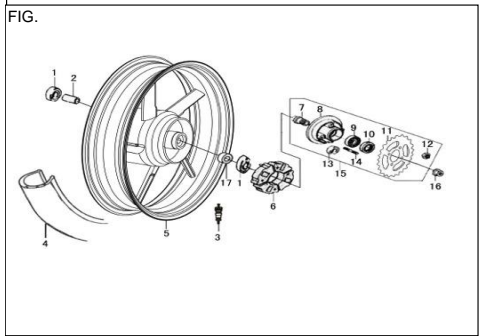
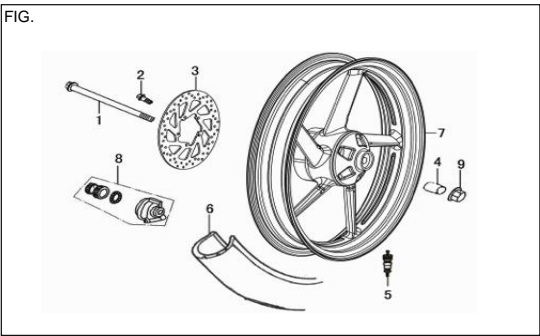
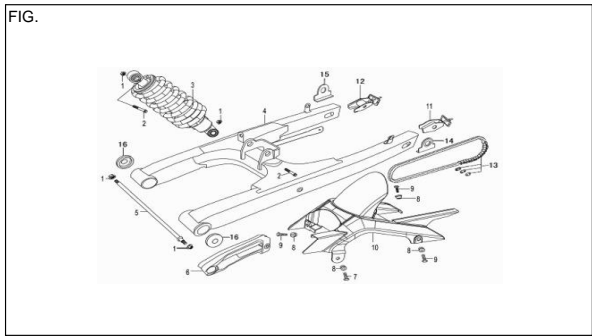
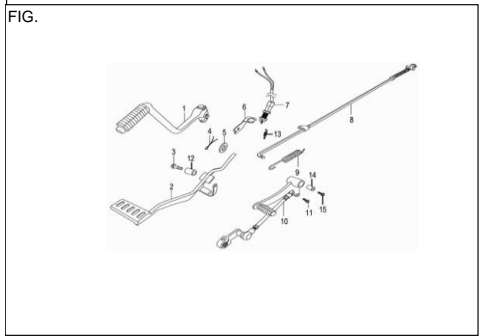


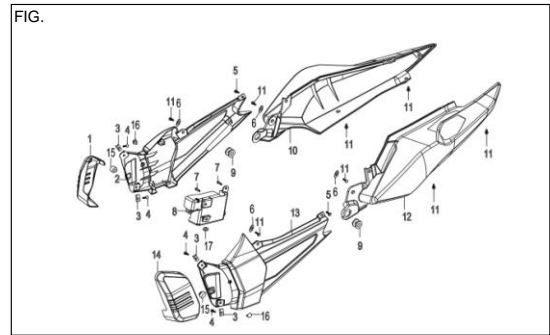
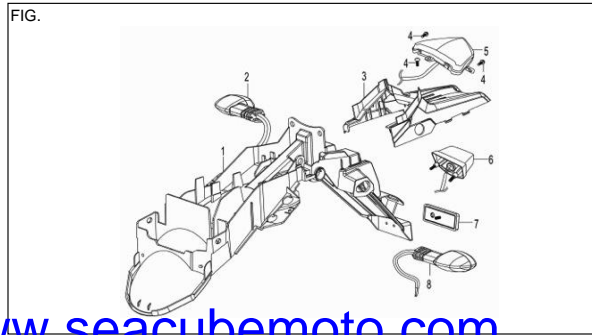
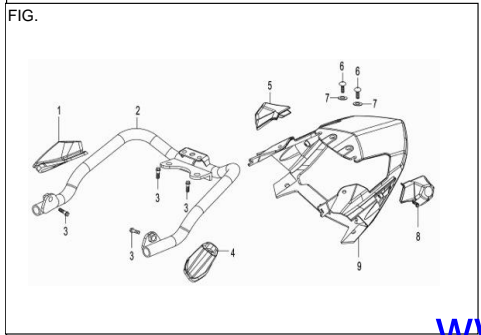
www.seacubemoto.com



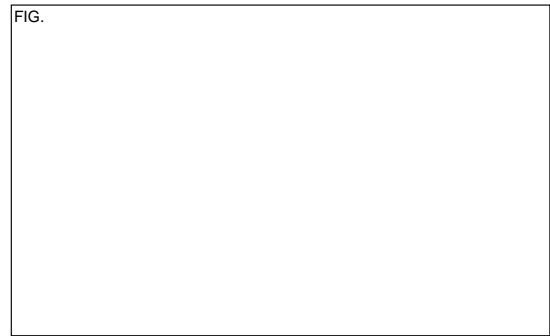
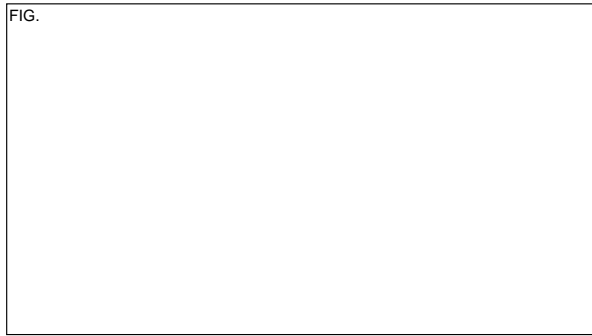
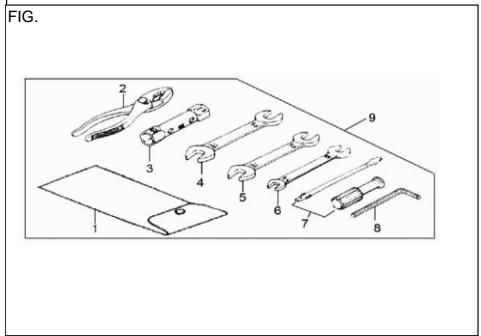
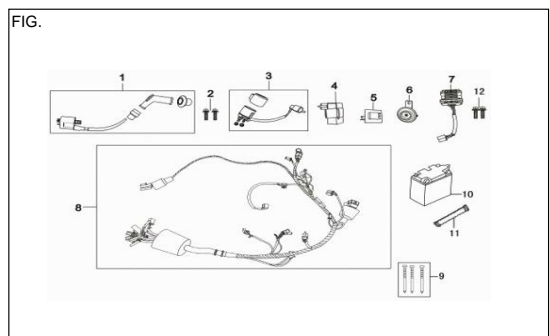
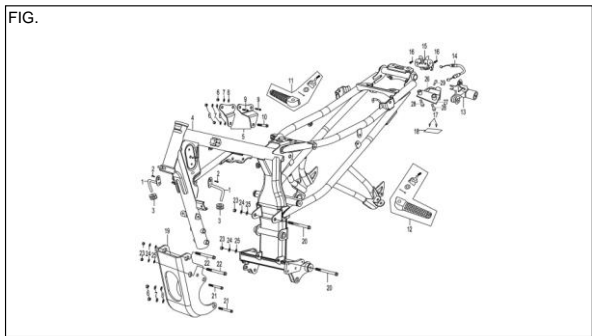
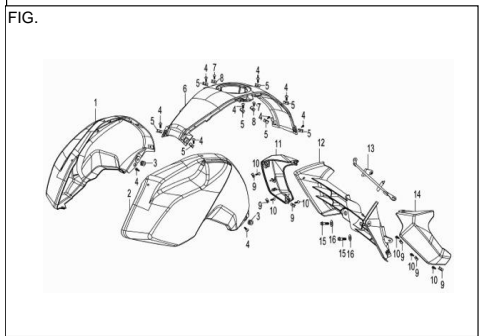


www.seacubemoto.com



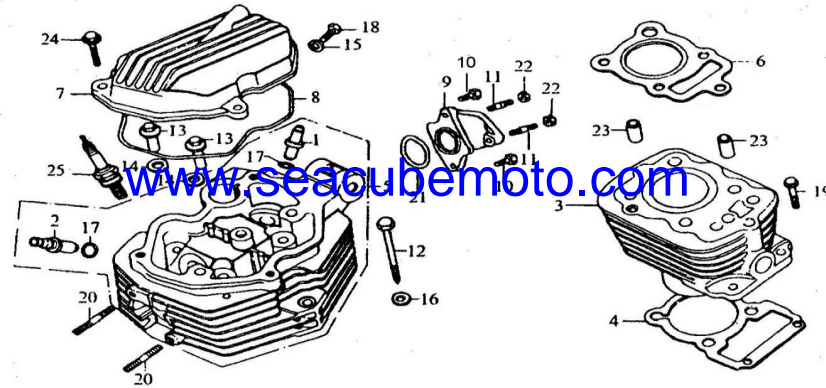


www.seacubemoto.com

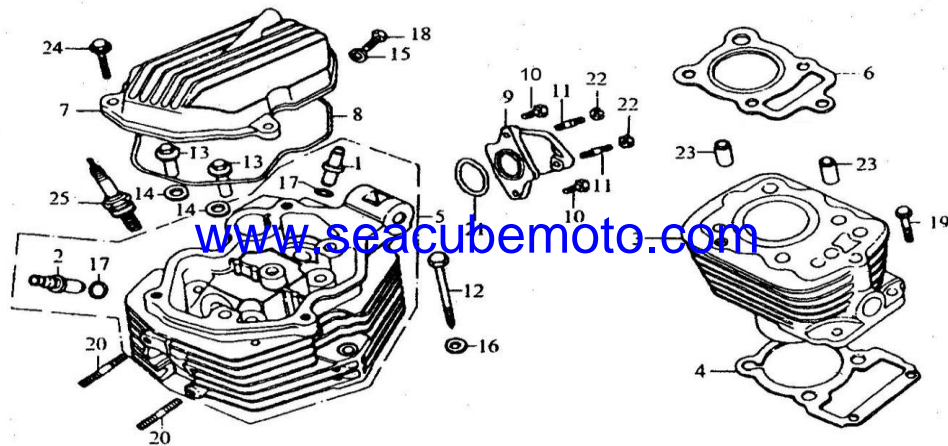




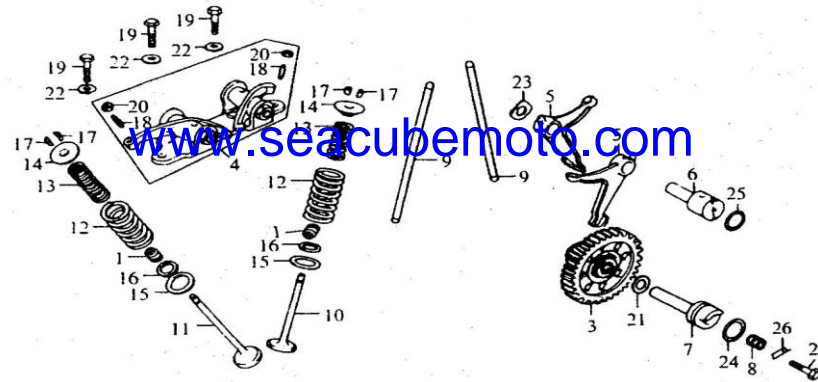
www.seacubemoto.com



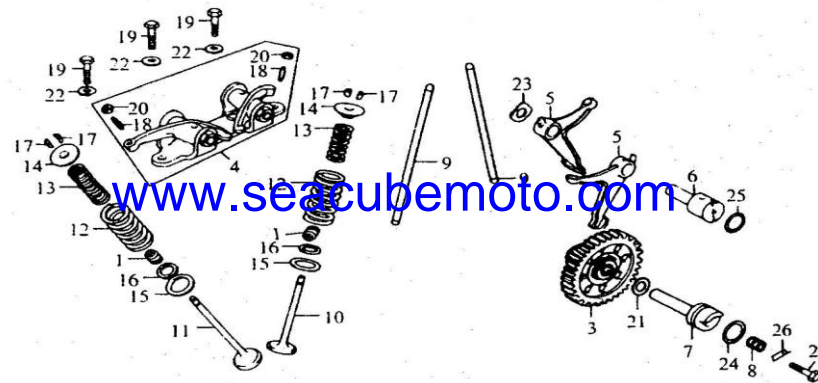
No	REFERENCIA	DESCRIPCION	DESCRIPTION	CANTIDAD
FIG.1-1	31115-143	GUIA VALVULA ADMISION AYZ200	Intake valve guide	1
FIG.1-2	31116-143	GUIA VALVULA DE ESCAPE AYZ200	Exhaust valve guide	1
FIG.1-3	31210-143	CILINDRO AYZ200	Cylinder block assy	1
FIG.1-4	31241-143	EMPAQUE CILINDRO AYZ200	Gasket	1
FIG.1-5	31111-143	CULATA AYZ200	Cylinder head comp	1
FIG.1-6	31141-143	EMPAQUE CULATA AYZ200	Gasket	1
FIG.1-7	31175-143	TAPA CULATA AYZ200	Cylinder head cover	1
FIG.1-8	31142-143	EMPAQUE TAPA CULATA AYZ200	Sealing ring	1
FIG.1-9	33110-143	CAUCHO CONECTOR CARBURADOR AYZ200	Intake pipe set	1
FIG.1-10	99103-06208	TORNILLO 6X20MM	Bolt stud M6x20	2
FIG.1-11	91421-06228	ESPARRAGO 6X22MM	Bolt stud M6x22	2
FIG.1-12	91107-08858	TORNILLO 8X85MM	Stud M8x85	1
FIG.1-13	99159-14308	TUERCA ESPECIAL	Nut	4
FIG.1-14	99161-10200	ARANDELA	Washer	4
FIG.1-15	99160-06000	ARANDELA 6MM	Washer(Φ6)	1
FIG.1-16	99160-08000	ARANDELA 8MM	Washer(Φ8)	1
FIG.1-17	99180-	ANILLO DE CAUCHO	O-Ring	2
FIG.1-18	91107-06128	TORNILLO 6X12MM	Bolt M6x12	1
FIG.1-19	91107-06258	TORNILLO 6X25MM	Bolt M6x25	2
FIG.1-20	91421-08358	ESPARRAGO 8X35	Bolt M8x35	2



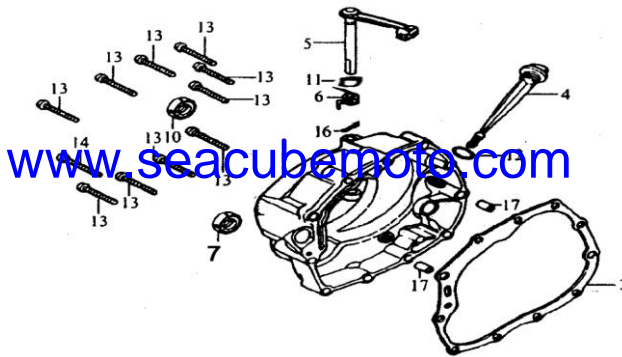
No	REFERENCIA	DESCRIPCION	DESCRIPTION	CANTIDAD
FIG.1-21	99280-33530	ANILLO DE CAUCHO 33.5X3	O-Ring 33.5x3	1
FIG.1-22	98310-06000	TUERCA 6MM	Nut M6	7
FIG.1-23	94211-01020	GUIA CILINDRO 10X20	Set pin 10x20	2
FIG.1-24	99103-06288	TORNILLO 6X28MM	Bolt M6x28	3
FIG.1-25	99482-	BUJIA	Spark plug	1



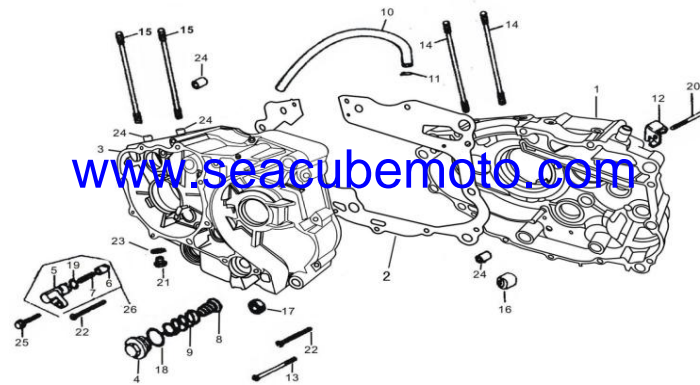
No	REFERENCIA	DESCRIPCION	DESCRIPTION	CANTIDAD
FIG.2-1	99289-14300	SELLO ACEITE VALVULAS	Oil-insulating cover	2
FIG.2-2	91107-06128	TORNILLO 6X12MM	Bolt M6x12	1
FIG.2-3	32711-143-0	ARBOL DE LEVAS AYZ200 NT	Gears	1
FIG.2-4	32840-143	SOPORTE BALANCINES SUPERIORES AYZ200	Rocker arm support	1
FIG.2-5	32850-143	BALANCINES INFERIORES AYZ200	Lower rocker arm	2
FIG.2-6	32841-143	EJE PASADOR BALANCIN INFERIOR AYZ200	Shaft for lower rocker arm	1
FIG.2-7	32713-143	EJE PASADOR ARBOL DE LEVAS	Cam Shaft	1
FIG.2-8	99440-	RESORTE EJE ARBOL DE LEVAS	Spring	1
FIG.2-9	32910-143	VARILLAS IMPULSORAS AYZ200	Push rod	2
FIG.2-10	32911-143	VALVULA ADMISION AYZ200	Intake valve	1
FIG.2-11	32912-143	VALVULA DE ESCAPE AYZ200	Exhaust valve	1
FIG.2-12	32920-143	RESORTE EXTERNO VALVULAS AYZ200	Valve outer spring	2
FIG.2-13	32921-143	RESORTE INTERNO VALVULAS AYZ200	Valve inner spring	2
FIG.2-14	32931-143	ASIENTO SUPERIOR VALVULA AYZ200	Spring seat	2
FIG.2-15	32933-143	ASIENTO RESORTE VALVULAS INF AYZ200	Spring seat	2
FIG.2-16	32934-143	ASIENTO RESORTE VALVULAS SUP AYZ200	Spring seat	2
FIG.2-17	32932-143	CUNAS VALVULAS AYZ200	Valve clip	4
FIG.2-18	32842-143	TORNILLO AJUSTE VALVULAS AYZ200	Adjusting Screw for valve clearance	2
FIG.2-19	91107-08288	TORNILLO 8X28MM	Bolt M8x28	3
FIG.2-20	32843-143	TUERCA TORNILLO AJUSTE VALVULAS AYZ200	Adjusting nut for valve clearance	2



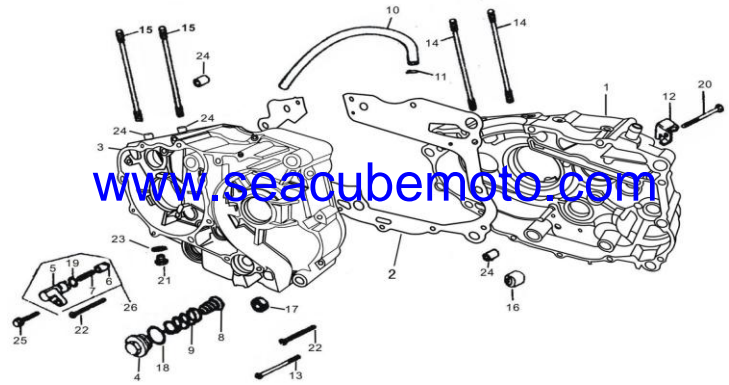
No	REFERENCIA	DESCRIPCION	DESCRIPTION	CANTIDAD
FIG.2-21	99160-14300	ARANDELA	Washer	1
FIG.2-22	99160-	ARANDELA SOPORTE BALANCIN	Washer	3
FIG.2-23	99160-14302	ARANDELA ESPECIAL	Washer	1
FIG.2-24	99280-20250	ANILLO DE CAUCHO 20X2.5	O-Ring 20x2.5	1
FIG.2-25	99280-17250	ANILLO DE CAUCHO 17X2.5	O-Ring 17x2.5	1
FIG.2-26	32714-143	PLATINA AJUSTE EJE ARBOL DE LEVAS AYZ200	Cam shaft stopper	1



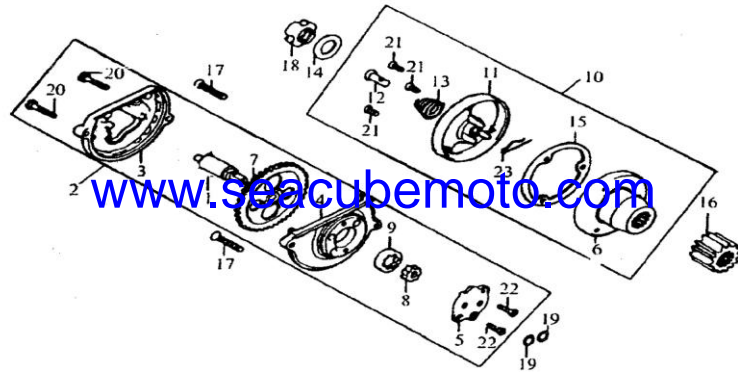
No	REFERENCIA	DESCRIPCION	DESCRIPTION	CANTIDAD
FIG.3-1	31341-143	TAPA EMBRAGUE AYZ200	Right crankcase cover	1
FIG.3-2	31482-143	EMPAQUE TAPA EMBRAGUE	Gasket	1
FIG.3-4	31971-143	INDICADOR NIVEL DE ACEITE	Dipstick	1
FIG.3-5	43221-143	LEVA EMBREGUE AYZ200	Clutch rod	1
FIG.3-6	99440-	RESORTE LEVA EMBRAGUE	Spring	1
FIG.3-7	31972-143	LENTE VISOR ACEITE	OIL VIEW GLASS	1
FIG.3-10	99283-16287	SELLO ACEITE 16X28X7	Oil seal 16x28x7	1
FIG.3-11	99280-68190	ANILLO DE CAUCHO 6.8X1.9	O-ring 6.8x1.9	1
FIG.3-12	99280-18300	ANILLO DE CAUCHO 18.X3	O-ring 18x3	1
FIG.3-13	99103-06408	TORNILLO 6X40MM	Screw M6x40	10
FIG.3-14	99103-6X50MM	TORNILLO 6X50MM	Screw M6x50	1
FIG.3-16	94111-02160	PIN 2X16	Cotter pin 2x16	1
FIG.3-17	94211-08140	GUIA TAPA EMBRAGUE AYZ200	Set pin 8x14	2



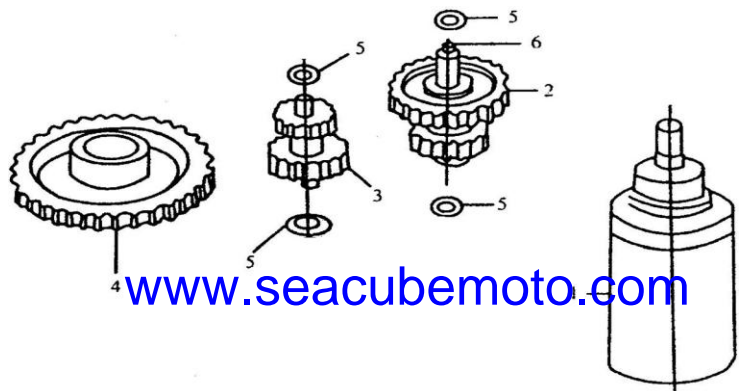
No	REFERENCIA	DESCRIPCION	DESCRIPTION	CANTIDAD
FIG.4-1	31301-143	CARCAZA MOTOR RH AYZ200	Right crankcase comp	1
FIG.4-2	31481-143	EMPAQUE CENTRO MOTOR AYZ200	Gasket	1
FIG.4-3	31302-143	CARCAZA MOTOR LH AYZ200	Left crankcase comp	1
FIG.4-4	31176-143	TAPA FILTRO ACEITE	Engine oil gauze filter cover	1
FIG.4-5		VER 26	Pin-keeping block	1
FIG.4-6		VER 26	Pin	1
FIG.4-7		VER 26	Spring	1
FIG.4-8	36520-143	MALLA FILTRO ACEITE	Engine gauze filter comp	1
FIG.4-9	99440-22255	RESORTE	Spring	1
FIG.4-10	33383-31500	MANGUERA DESFOGUE MOTOR	Exhaust pipe	1
FIG.4-11	33828-143	CIRCLIP	Clip	1
FIG.4-12	31020-143	PLATINA GUIA GUAYA EMBRAGUE	Adjusting support for clutch cable	1
FIG.4-13	99103-06958	TORNILLO 6X95MM	Bolt M6x95	1
FIG.4-14	99108	ESPARRAGO A	Stud A	2
FIG.4-15	99108	ESPARRAGO B	Stud B	2
FIG.4-16	99262-21100	RODAMIENTO DE AGUJAS HK2110	Needle bearing HK 2110	1
FIG.4-17	99283-14287	SELLO ACEITE 14X28X7	Oil seal 14x28x7	1
FIG.4-18	99280-35530	ANILLO DE CAUCHO 35.5X3	O-ring 35.5x3	1
FIG.4-19	99280-13250	ANILLO DE CAUCHO 13X25	O-ring 13x25	1
FIG.4-20	99103-06558	TORNILLO 6X55MM	Bolt M6x55	1



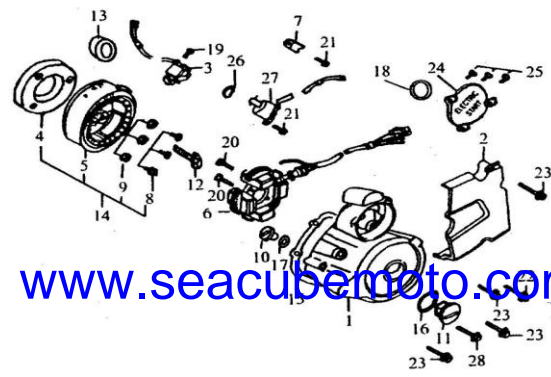
No	REFERENCIA	DESCRIPCION	DESCRIPTION	CANTIDAD
FIG.4-21	99247-	TAPON DRENAJE ACEITE	Drain plug	1
FIG.4-22	99103-06508	TORNILLO 6X50	Bolt M6x50	9
FIG.4-23	99160-14027	ARANDELA	Washer for drain plug	1
FIG.4-24	94211-10140	GUIA CARCAZA MOTOR 10X14	Set pin 10x14	2
FIG.4-25	99103-06258	TORNILLO 6X25MM	Bolt M6x25	1
FIG.4-26	46441-143	PIN PRESION RODAMIENTO CIGUENAL AYZ200	Pin-keeping body	1



No	REFERENCIA	DESCRIPCION	DESCRIPTION	CANTIDAD
FIG.5-1	36106-143	EJE BOMBA DE LUBRICACION AYZ200	Pump shaft	1
FIG.5-2	36100-143	BOMBA LUBRICACION COMPLETA AYZ200	Oil pump assy	1
FIG.5-3			Gear hood	1
FIG.5-4			Pump body	1
FIG.5-5			Pump cover	1
FIG.5-6	36512-143	ROTOR FILTRO DE ACEITE	Filter body	1
FIG.5-7	36331-143-0	PIÑON BOMBA DE LUBRICACION NT	Driven gear	1
FIG.5-8			Inner rotator	1
FIG.5-9			Outer rotator	1
FIG.5-10	36510-143	FILTRO DE ACETE COMPLETO	Filter assy	1
FIG.5-11			Filter cover	1
FIG.5-12			Oil pipe	1
FIG.5-13			Spring	1
FIG.5-14			Thrust-washer	1
FIG.5-15			Gasket	1
FIG.5-16	41111-143-0	PIÑON PRIMARIO NT	Driven gear	1
FIG.5-17			Screw M6x30	2
FIG.5-18		TUERCA ESPECIAL	Nut	1
FIG.5-19			O-ring	2
FIG.5-20			Bolt M5x20	2
FIG.5-21			Screw M5x12	3
FIG.5-22			Screw M4x12	2
FIG.5-23			Limit pin	1

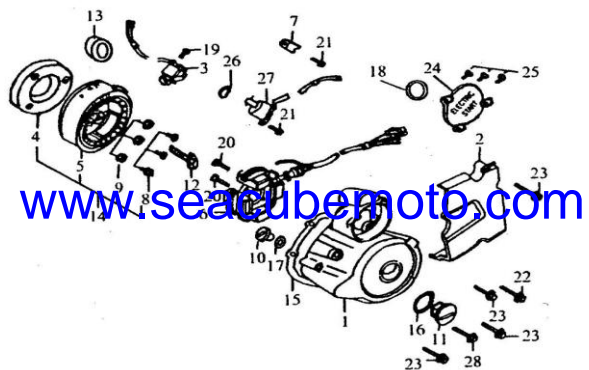


No	REFERENCIA	DESCRIPCION	DESCRIPTION	CANTIDAD
FIG.6-1	51100-143	MOTOR ARRANQUE AYZ200	Starting motor assy	1
FIG.6-2	51370-143	BENDIX 1	Double gears NO.1 assy	1
FIG.6-3	51371-143	BENDIX 2	Double gears NO.2	1
FIG.6-4	32620-143	PINON ARRANQUE	Gear assy	1
FIG.6-5	99160-	ARANDELA	Washer	4
FIG.6-6	51105-143	EJE BENDIX	Shaft	1



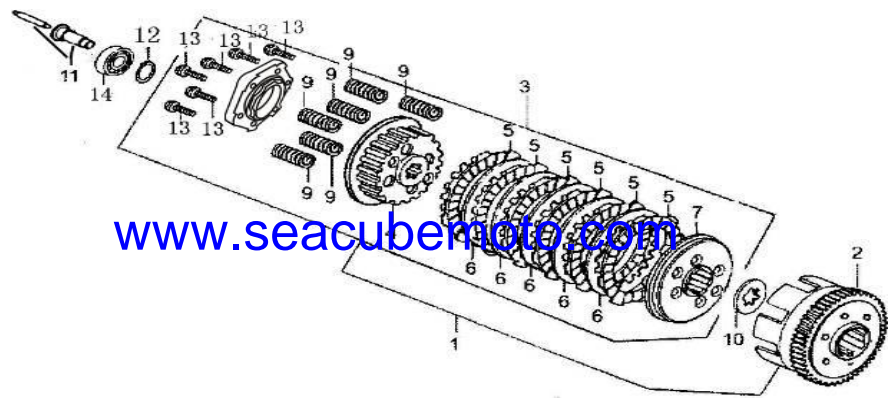
www.seacubemoto.com

No	REFERENCIA	DESCRIPCION	DESCRIPTION	CANTIDAD
FIG.7-1	31351-143	TAPA VOLANTE AYZ200	Left crankcase cover	1
FIG.7-2	31361-143	TAPA PIÑON DE SALIDA AYZ200	Rear-left cover	1
FIG.7-3	52150-143	BOBINA PULSORA AYZ200	Induced coil	1
FIG.7-4	41100-143	EMBRAGUE ARRANQUE AYZ200	Start clutch body	1
FIG.7-5	52102-143	VOLANTE AYZ200	Magneto rotor assy	1
FIG.7-6	52101-143	STATOR AYZ200	Magneto stator assy	1
FIG.7-7	52371-143	PLATINA CABLE AYZ200	Wire clamp	1
FIG.7-8	92112-08308	TORNILLO 8X30MM	Screw M8x30	3
FIG.7-9	98321-08000	GUAZA 8MM	Spring washer Φ8	3
FIG.7-10	31352-143	TAPON TIEMPO AYZ200	Plug for watch hole	1
FIG.7-11	31353-143	TAPON STATOR AYZ200	Plug	1
FIG.7-12	99360-	TORNILLO	Lock bolt	1
FIG.7-13	99283-50347	SELLO ACEITE 50X34X7	Left oil seal for crankshaft(50x34x7)	1
FIG.7-14	52100-143	GENERADOR COMPLETO	Flywheel clutch assy	1
FIG.7-15	31483-143	EMPAQUE TAPA VOLANTE AYZ200	Gasket, left crankcase cover	1
FIG.7-16	99280-27525	ANILLO DE CAUCHO 27.5X2.5	O-ring for plug 27.5x2.5	1
FIG.7-17	99280-13825	ANILLO DE CAUCHO 13.8X2.5	O-ring,watch hole plug 13.8x2.5	1
FIG.7-18	99280-63300	ANILLO DE CAUCHO 63X3	O-ring 63x3	1
FIG.7-19	92112-05168	TORNILLO 5X16MM	Screw M5x16	2
FIG.7-20	92112-05308	TORNILLO 5X30MM	Screw M5x30	3



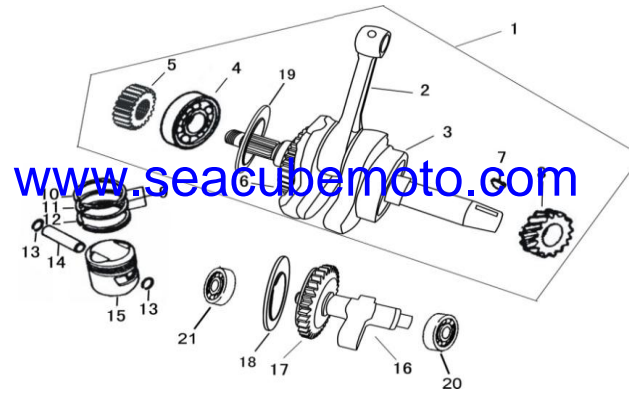
www.sealubemoto.com

No	REFERENCIA	DESCRIPCION	DESCRIPTION	CANTIDAD
FIG.7-21	91107-06128	TORNILLO 6X12MM	Bolt M6x12	2
FIG.7-22	91107-06258	TORNILLO 6X25MM	Bolt M6x25	2
FIG.7-23	91107-06408	TORNILLO 6X40MM	Bolt M6x40	6
FIG.7-24	31384-143	TAPA PIÑON REDUCTOR AYZ200	Upper cover	1
FIG.7-25	02112-06208	TORNILLO 6X40MM	Screw M6x20	3
FIG.7-26	99280-19200	ANILLO DE CAUCHO 19X2	Neutral indicator O-ring 19X2	1
FIG.7-27	57720-143	INDICADOR DE CAMBIOS AYZ200	Neutral indicator	1
FIG.7-28	91107-06508	TORNILLO 6X50MM	Bolt M6x50	2

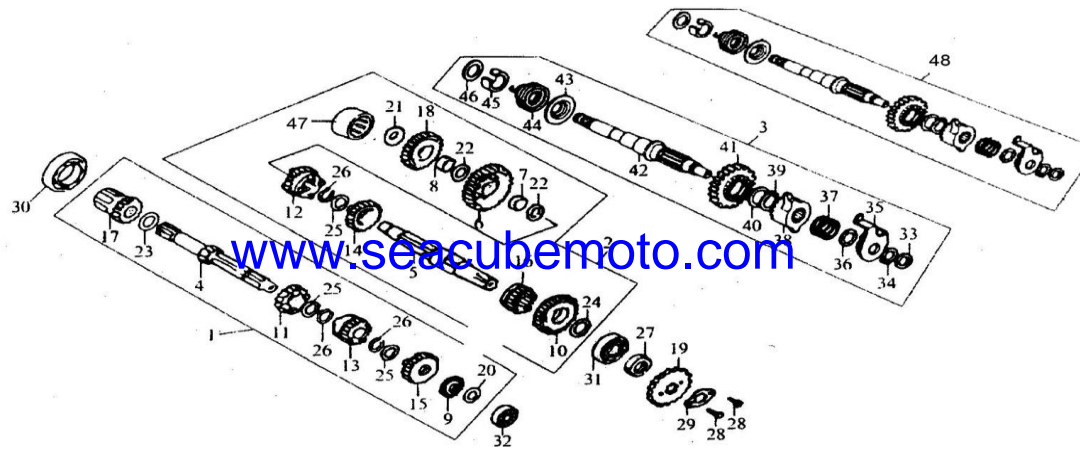


www.seacubemoto.com

No	REFERENCIA	DESCRIPCION	DESCRIPTION	CANTIDAD
FIG.8-1	41450-143	CONJUNTO EMBRAGUE COMPLETO	Clutch body Assy	1
FIG.8-2	41200-143-0	CORONA EMBRAGUE NT	Clutch drive disc comp	1
FIG.8-3	41500-143	EMBRAGUE AYZ200	Clutch driven disc Assy.	1
FIG.8-4	41410-143	MANGUITO O CENTRADOR EMBRAGUE AYZ200	Clutch driven disc comp	1
FIG.8-5	41441-143	DISCO EMBRAGUE ADBESTO	Clutch drive plate comp No.1	6
FIG.8-6	41451-143	DISCO EMBRAGUE METALICO	Driven plate	5
FIG.8-7	41103-143	PLATO PRESION EMBRAGUE	Location plate	1
FIG.8-8	41142-143	PLATO MOVIL EMBRAGUE	End cover	1
FIG.8-9	41141-143	RESORTE EMBRAGUE	Spring	6
FIG.8-10	99160-20362	ARANDELA ESPECIAL	Spring Washer	1
FIG.8-11	43121-143	SEPARADOR VARILLA EMBRAGUE	Clutch push rod	1
FIG.8-12			Snap ring 20	1
FIG.8-13	91107-06228	TORNILLO 6X22MM	Bolt M6x22	6
FIG.8-14	98123-60030	BALINERA 6003	Bearing 6003	1

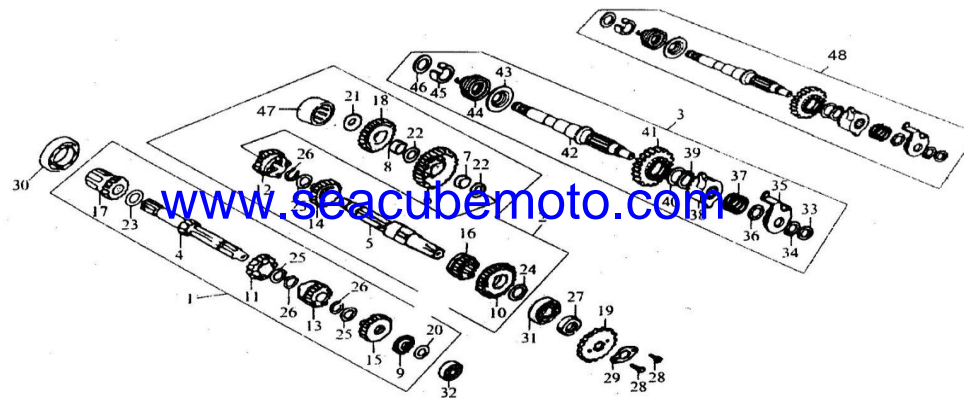


No	REFERENCIA	DESCRIPCION	DESCRIPTION	CANTIDAD
FIG.9-1	32200-143	CIGÜEÑAL COMPLETO AYZ200	Crankshaft assy	1
FIG.9-2	32160-143	KIT BIELA AYZ200	Tie rod	1
FIG.9-3	99262	BALINERA CIGÜEÑAL	Bearing	1
FIG.9-4		BALINERA CIGÜEÑAL	Bearing	1
FIG.9-5		PINON	Driving gear	1
FIG.9-6	32666-143-0	PINON CONTRABALANCEADOR CONDUCTIDO AYZ200	Blance shaft driving gear	1
FIG.9-7			Woodruff Key	1
FIG.9-8	32741-143-0	PIÑON DE TIEMPO NT	Timing drive gear	1
FIG.9-9			Piston ring set	1
FIG.9-10	32140-143-STD	ANILLOS STD AYZ200	Piston ring NO.1	1
FIG.9-11			Piston ring NO.2	1
FIG.9-12			Piston ring combination	1
FIG.9-13	99381-	PINES PISTON	Circlip	2
FIG.9-14	32151-143	PASADOR PISTON	Piston pin	1
FIG.9-15	32110-143 STD	PISTON STD	Piston	1
FIG.9-16	32651-143	EJE BALANCEADOR	Blance shaft	1
FIG.9-17	32667-143-0	PINON CONTRABALANCEADOR CONDUCTOR AYZ200	Blance shaft gear	1
FIG.9-18	99160-12223	ARANDELA 12.5X22X3.8	Washer 12.5x22x3.8	1
FIG.9-19	99160-28465	ARANDELA 28X46X5	Washer 28x46x5	1
FIG.9-20	98123-63010	BALINERA 6301	Needle bearing 6301	1
FIG.9-21	98123-63012	BALINERA 6301 2RS	Needle bearing 6301-2RS	1
FIG.9-22				
FIG.9-23				
FIG.9-24				

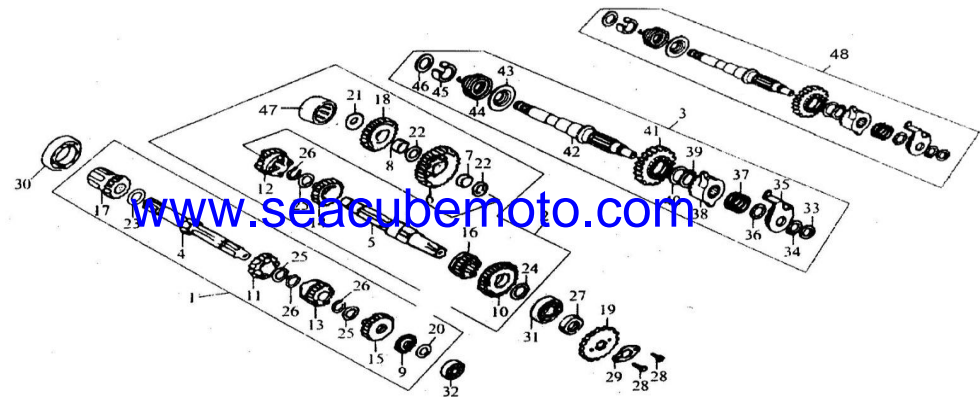


www.seacubemoto.com

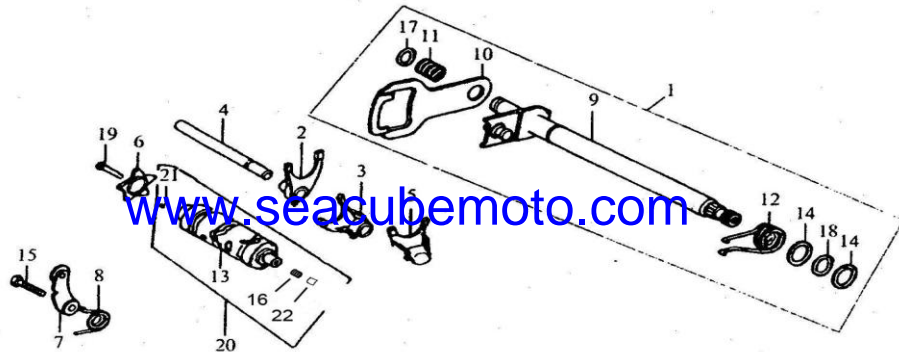
No	REFERENCIA	DESCRIPCION	DESCRIPTION	CANTIDAD
FIG.10-1	44120-143	EJE PRIMARIO COMPLETO	Main shaft combination	1
FIG.10-2	44130-143	EJE SECUNDARIO COMPLETO	Countershaft combination	1
FIG.10-3	46210-143	EJE ARRANQUE COMPLETO	Start shaft combination	1
FIG.10-4	44121-143-0	EJE PRIMARIO NT_AYZ200	Main shaft	1
FIG.10-5	44131-143	EJE SECUNDARIO	Countershaft	1
FIG.10-6	44310-143-0	PINON 1 EJE SECUNDARIO NT	First gear,countershaft	1
FIG.10-7	99180	BUJE EJE SECUNDARIO	Bush	1
FIG.10-8	99180	BUJE EJE SECUNDARIO	Bush	1
FIG.10-9	44221-143-0	PINON 2 EJE PRIMARIO NT	Second gear,main shaft	1
FIG.10-10	44321-143-0	PINON 2 EJE SECUNDARIO NT	Second gear,countershaft	1
FIG.10-11	44231-143-0	PINON 3 EJE PRIMARIO NT	Third gear,main shaft	1
FIG.10-12	44331-143-0	PINON 3 EJE SECUNDARIO NT	Third gear,countershaft	1
FIG.10-13	44241-143-0	PINON 4 EJE PRIMARIO NT	Fourth gear,main shaft	1
FIG.10-14	44341-143-0	PINON 4 EJE SECUNDARIO NT	Fourth gear,countershaft	1
FIG.10-15	44251-143-0	PINON 5 EJE PRIMARIO NT	Fifth gear,main shaft	1
FIG.10-16	44351-143-0	PINON 5EJE SECUNDARIO NT	Fifth gear,countershaft	1
FIG.10-17	44360-143	PINON PATADA ARRANQUE NT	Driver gears for start	1
FIG.10-18	46260-143-0	PINON LOCO ARRANQUE NT	Conveying gears for start	1
FIG.10-19	47511-143-014	PINON DE SALIDA NT	Output sprocket	1
FIG.10-20	99160-	ARANDELA	Spring washer	1
FIG.10-21				
FIG.10-22				
FIG.10-23				
FIG.10-24				



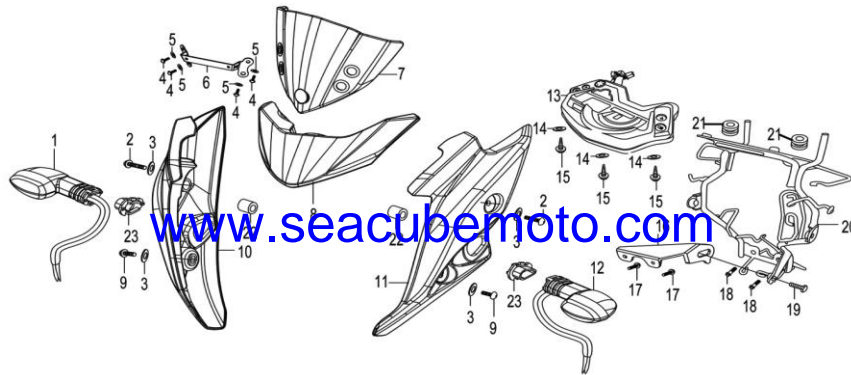
No	REFERENCIA	DESCRIPCION	DESCRIPTION	CANTIDAD
FIG.10-21	99160	ARANDELA	Washer	1
FIG.10-22	99160	ARANDELA	Washer	2
FIG.10-23		ARANDELA	Spring washer	1
FIG.10-24		ARANDELA	Washer	1
FIG.10-25		ARANDELA ESPECIAL	Spline washer	3
FIG.10-26	99380	CIRCLIP	Circlip	3
FIG.10-27	99283-20347	SELLO ACEITE PIÑON DE SALIDA 20X34X7	Oil seal 20x34x7	1
FIG.10-28	91107-06108	TORNILLO 6X10	Bolt M6x10	1
FIG.10-29	47512-143	ARANDELA PIÑON DE SALIDA	Locating plate for sprocket	1
FIG.10-30	98123-61060	BALINERA CAJA 6106	Bearing 6106	1
FIG.10-31	98123-62040	BALINERA CAJA 6204	Bearing 6204	1
FIG.10-32	98143-62020	BALINERA CAJA 6202RS	Bearing 6202Rs	1
FIG.10-33	99160-	ARANDELA	Washer NO.3	1
FIG.10-34	99380-16000	CIRCLIP 16	Circlip 16	1
FIG.10-35	46234-143	PLATINA GUIA TRINQUETE	Ratchet guide comp	1
FIG.10-36	99160-	ARANDELA	Washer NO.2	1
FIG.10-37	46233-143	RESORTE TRINQUETE	Spring	1
FIG.10-38	46231-143	TRINQUETE EJE ARRANQUE	Start ratchet	1
FIG.10-39	99380-	CIRCLIP 20	Circlip 20	1
FIG.10-40	99160-	ARANDELA	Washer NO.1	1



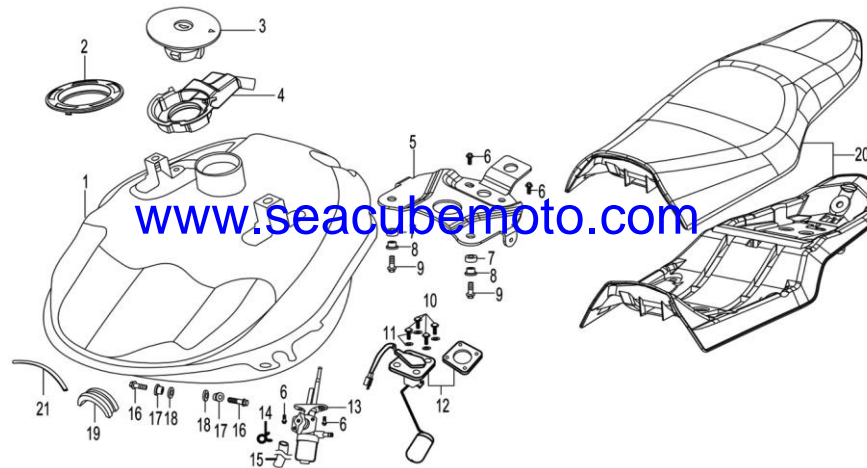
No	REFERENCIA	DESCRIPCION	DESCRIPTION	CANTIDAD
FIG.10-41	46241-143-0	PIÑON EJE DE ARRANQUE NT	Starting gear	1
FIG.10-42	46211-143	EJE ARRANQUE	Starting shaft	1
FIG.10-43	46232-143	SOPORTE RESORTE ARRANQUE	Spring base	1
FIG.10-44	99448-	RESORTE ARRANQUE	Reset spring	1
FIG.10-45	46221-143	GUIA RESORTE ARRANQUE	Sleeve	1
FIG.10-46	99160-	ARANDELA	Washer 4	1
FIG.10-47	99263-15120	CANASTILLA DE AGUJAS	Roller bearing 1512	1



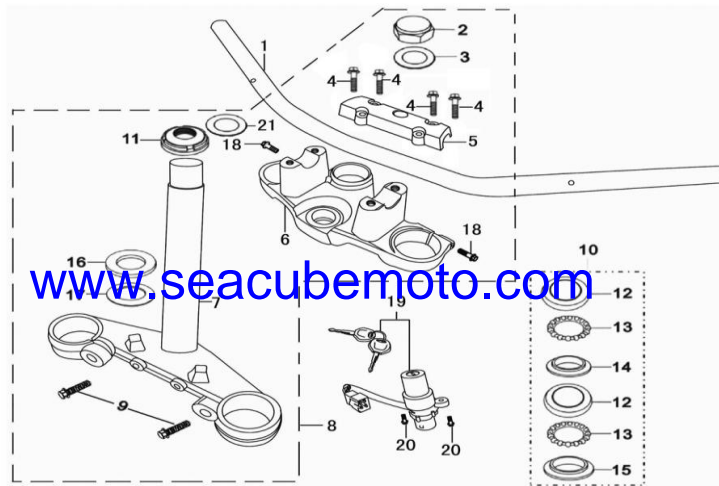
No	REFERENCIA	DESCRIPCION	DESCRIPTION	CANTIDAD
FIG.11-1	45500-143	EJE DE CAMBIOS COMPLETO	Gearshift shaft comp	1
FIG.11-2	45211-143	HORQUILLA No 1	Fork NO.1	1
FIG.11-3	45221-143	HORQUILLA No 2	Fork NO.2	1
FIG.11-4	45411-143	PASADOR HORQUILLAS	Fork shaft	1
FIG.11-5	45231-143	HORQUILLA No 3	Fork NO.3	1
FIG.11-6	45381-143	ESTRELLA SELECTORA DE CAMBIOS	Cam	1
FIG.11-7	45350-143	LEVA SELECTORA DE CAMBIOS	Limit block	1
FIG.11-8	45301-143	RESORTE LEVA SELECTORA	Spring	1
FIG.11-9	45510-143	EJE DE CAMBIOS	Shaft comp	1
FIG.11-10	45520-143	HORQUILLA EJE DE CAMBIOS	Plate	1
FIG.11-11	99443-	RESORTE HORQUILLA EJE DE CAMBIOS	Spring	1
FIG.11-12	45515-143	RESORTE EJE DE CAMBIOS	Reset spring	1
FIG.11-13	45310-143	SELECTOR DE CAMBIOS	Drum	1
FIG.11-14	99160-	ARANDELA	Washer	2
FIG.11-15	91107-06208	TORNILLO 6X20MM	Bolt M6x20	1
FIG.11-16	99443	RESORTE	Spring	1
FIG.11-17		CIRCLIP	Circlip 12	1
FIG.11-18		CIRCLIP	Circlip 14	1
FIG.11-19	91107-06258	TORNILLO 6X25MM	Bolt M6x25	1
FIG.11-20	45300-143	SELECTOR DE CAMBIOS COMPLETO	Gearshift cam comp	1
FIG.11-21	99261-04100	PIN SELECTOR DE CAMBIOS	Set pin B4x10	1
FIG.11-22	57711-143	INDICADOR CONTACTO	Contacting piece	1



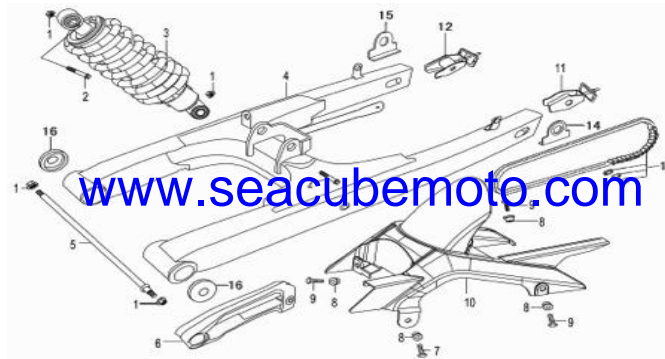
No	REFERENCIA	DESCRIPCION	DESCRIPTION	CANTIDAD
FIG.13-1	55601-143	DIRECCIONAL DEL RH	Front winker, R	1
FIG.13-2		TORNILLO 6X35MM	Screw M6x35	2
FIG.13-3		GUAZA	Rubber Washer	2
FIG.13-4		TORNILLO	Screw	4
FIG.13-5			FRONT SHIELD GLASS,GASKET	4
FIG.13-6	54960-143	SOPORTE VISOR FAROLA	Windscreen Bracket	1
FIG.13-7	66328-143	VISOR FAROLA	FRONT SHIELD GLASS	1
FIG.13-8	66415-143	CUBIERTA SUPERIOR FAROLA	Headlights Upper Decorative plates	1
FIG.13-9		TORNILLO	Screw M6x16	2
FIG.13-10	66424-143	CUBIERTA LATERALFAROLA RH	Decorative plates,FR,RH turning light	1
FIG.13-11	66435-143	CUBIERTA LATERALFAROLA LH	Decorative plates,FR,LH turning light	1
FIG.13-12	55602-143	DIRECCIONAL DEL LH	Front winker, L	1
FIG.13-13	54100-143	VELOCIMETRO	Meter Assy	1
FIG.13-14	99160-05000	ARANDELA 5MM	Washer φ5	3
FIG.13-15	93241-42137	TORNILLO 4.2X13	Screw ST4.2x13	3
FIG.13-16	54962-143	PLATINA SOPORTE FAROLA	Adjustment bracket,Headlight	1
FIG.13-17	93241-42107	TORNILLO4.2X10	Screw M4.2x10	2
FIG.13-18		TORNILLO	Bolt M6x12	2
FIG.13-19		TORNILLO	Bolt M6x12	1
FIG.13-20	54950-143	SOPORTE VELOCIMETRO	Headlight stand	1
FIG.13-21	77161-143	CAUCHO SOPORTE VELOCIMETRO	bracket Aprons,Meter	4
FIG.13-22	99180-	BUJE	Bush,Turning lampsheld	2
FIG.13-23	55606-143	SOPORTE DIRECCIONAL	Clamp,turning light	2



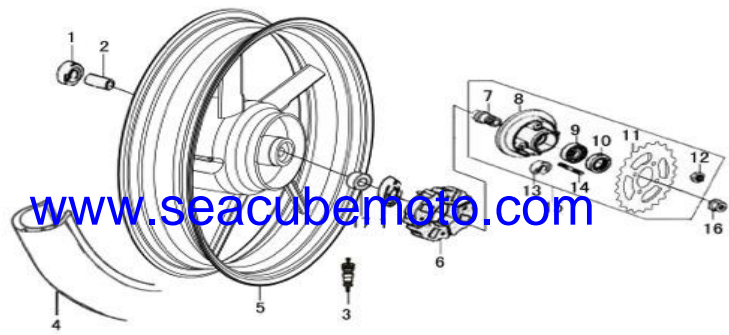
No	REFERENCIA	DESCRIPCION	DESCRIPTION	CANTIDAD
FIG.17-1	74110-143-000	TANQUE COMBUSTIBLE	Fuel tank	1
FIG.17-2	74205-143	SEGURO TAPA TANQUE COMBUSTIBLE	fuel tank cap lock	1
FIG.17-3	74200-143	TAPA TANQUE COMBUSTIBLE	Cap,fuel fillelr	1
FIG.17-4	74206-143	CUBIERTA BOQUILLA TANQUE	Fuel Tank buffer strips	1
FIG.17-5	74250-143	PLATINA INFERIOR TANQUE COMBUSTIBLE	lower Mounting plate,fuel tank	1
FIG.17-6		TORNILLO	Bolt M6x16	4
FIG.17-7			damper, locating	2
FIG.17-8	99169-65851	ARANDELA COLLARIN	Collar $\phi 6.5 \times \phi 8.5 \times 15 - \Phi 20 \times 2$	2
FIG.17-9		TORNILLO 6X25	Bolt M6x25	2
FIG.17-10		TORNILLO 5X16	Screw M5x16	4
FIG.17-11		ARANDELA 5MM	Washer $\phi 5$	4
FIG.17-12	54810-143	SENSOR DE COMBUSTIBLE	Fuel sensor comp	1
FIG.17-13	74300-143	LLAVE PASO COMBUSTIBLE	fuel cock	1
FIG.17-14			Clip	4
FIG.17-15			Fuel hose	1
FIG.17-16		TORNILLO 8X30MM	Bolt M8x30	2
FIG.17-17	99169-		Collar	2
FIG.17-18			Molding, fuel tank	2
FIG.17-19	74543-143	CAUCHO DELANTERO TANQUE COMBUSTIBLE	lower support rubber,fuel tank	1
FIG.17-20	75100-143	SILLIN	Seat Assy	1
FIG.17-21			Ties	1
FIG.17-22	75101-143	BASE SILLIN		



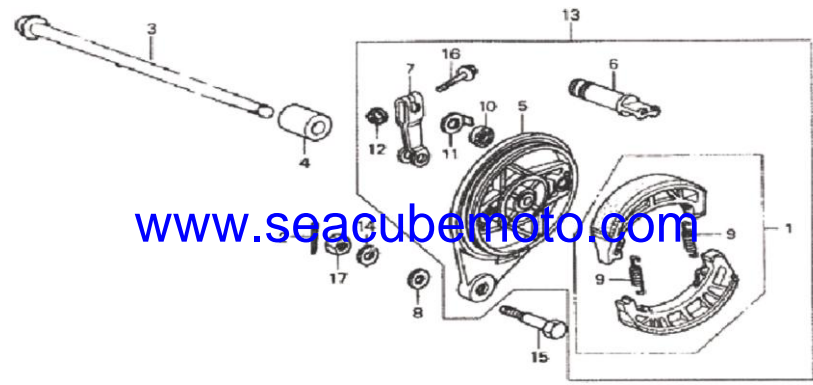
No	REFERENCIA	DESCRIPCION	DESCRIPTION	CANTIDAD	
FIG.19-1	66110-143	MANUBRIO	Steering bar	1	
FIG.19-2	99140-	TUERCA ESPIGO	Nut	1	
FIG.19-3	99160-	ARANDELA	Washer	1	
FIG.19-4	99103-	TORNILLO	Bolt	4	
FIG.19-5	66211-143	ABRAZADERA O CANDADO MANUBRIO	Fixing block,steering bar	2	
FIG.19-6	61311-143	MENSULA DIRECCION	Head, steering stem	1	
FIG.19-7	61410-143	ESPIGO O BASTAGO DIRECCION	Steering stem	1	
FIG.19-8	61400-143	ESPIGO DIRECCION COMPLETO	Steering stem assy	1	
FIG.19-9		TORNILLO	Bolt	2	
FIG.19-10			Steering bearing assy	1	
FIG.19-11			Adjust nut,steering stem	2	
FIG.19-12			Race,steering cone	2	
FIG.19-13	61600-143	KIT CUNAS DIRECCION	Ball set,steel	1	
FIG.19-14			Upper racing bowl	1	
FIG.19-15				1	
FIG.19-16				1	
FIG.19-17			lower racing bowl	1	
FIG.19-18			TORNILLO	Dust seat	1
FIG.19-19	57110-143		INTERRUPTOR ENCENDIDO	LOCK ASS'Y,STEERING	1
FIG.19-20		TORNILLO	Bolt	2	
FIG.19-21		ARANDELA	Washer	2	
				1	



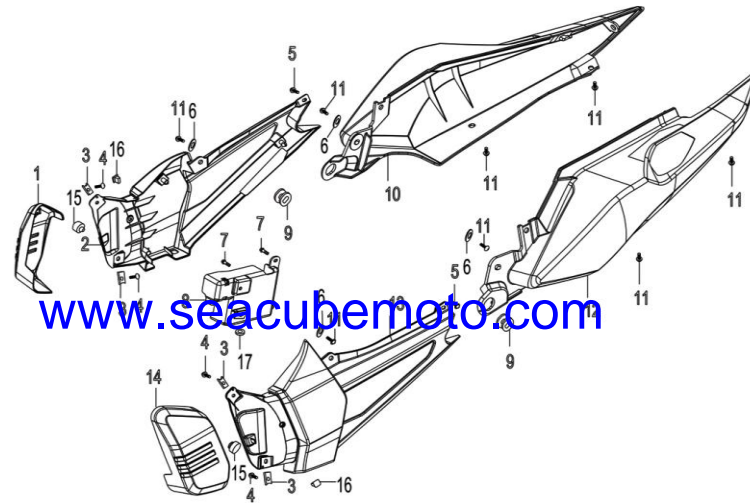
No	REFERENCIA	DESCRIPCION	DESCRIPTION	CANTIDAD
FIG.23-1		TUERCA 12MM	Nut M12	2
FIG.23-2		TORNILLO 12X1.25X75	Bolt M12x1.25x75	2
FIG.23-3	82100-143	AMORTIGUADOR TRASERO	Rear shock absorber	1
FIG.23-4	81100-143	TIJERA O BRAZO OCCILANTE	Rear fork assy	1
FIG.23-5	81211-143	EJE TIJERA	Rear fork shaft	1
FIG.23-6	81273-143	CAUCHO DESLIZADOR CADENA	Chain guard	1
FIG.23-7		TORNILLO 6X16MM	Bolt M6x16	1
FIG.23-8		ARADELA COLLARIN	Collar $\phi 6.5 \times \phi 18 \times 4$	4
FIG.23-9		TORNILLO	Bolt M6x12	3
FIG.23-10	83120-143	GUARDABARRO TRASERO INTERNO	Fender a, RR	1
FIG.23-11	81410-143	TENSOR CADENA LH	Adjuster chain,LH	1
FIG.23-12	81420-143	TENSOR CADENA RH	Adjuster chain,RH	1
FIG.23-13	47600-143	CADENA	Chain	1
FIG.23-14	81412-143	PLATINA TENSOR CADENA LH	Swing arm board,L	1
FIG.23-15	81421-143	PLATINA TENSOR CADENA RH	Swing arm board,R	1
FIG.23-16	81262-143	TAPA EJE TIJERA	Cap, swing arm pivot	2



No	REFERENCIA	DESCRIPCION	DESCRIPTION	CANTIDAD
FIG.25-1		BALINERA	Bearing	2
FIG.25-2		BUJE RUEDA TRASERA LH	Inner collar	1
FIG.25-3	73130-143	VALVULA	Air valve	1
FIG.25-4	85100-	LLANTA TRASERA	Rear tire	1
FIG.25-5	85311-143	RIN TRASERO	Rear alloy wheel	1
FIG.25-6	84651-143	CAUCHO MANZANA TRASERA	DAMPING PAD	1
FIG.25-7	84733-143	BUJE PORTA SPROCKET	Axle	1
FIG.25-8	84611-143	PORTA SPROKET	Coshion	1
FIG.25-9		BALINERA	Bearing	1
FIG.25-10			Cover	1
FIG.25-11	47700-143-046	SPROKET O PIÑON TRASERO NT	SPROCKET	1
FIG.25-12		TUERCA 6MM	Nut M6	4
FIG.25-13		TORNILLO	Bolt	4
FIG.25-14		ESPARRAGO	Coshion assy	1
FIG.25-15	84600-143	PORTA SPROKET COMPL		1
FIG.25-16		BUJE RUEDA TRASERA LH	LH bush, rear wheel	

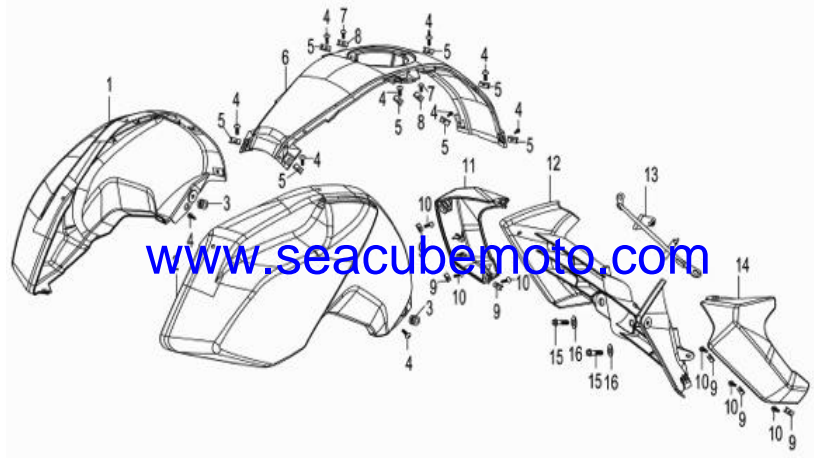


No	REFERENCIA	DESCRIPCION	DESCRIPTION	CANTIDAD
FIG.26-1	84410-143	JUEGO BANDAS TRASERAS	Brake shoe	1
FIG.26-2	94111-	PIN	Split pin 3.2x15	1
FIG.26-3	84711-143	EJE RUEDA TRASERA	Rear wheel axle	1
FIG.26-4	99180-	BUJE EJE RUEDA TRSERA	Bushing	1
FIG.26-5	84210-143	PORTABANDAS TRASERO	Brake covet	1
FIG.26-6	84441-143	EJE BANDAS TRASERO	Camshaft,rear brake	1
FIG.26-7	84451-143	LEVA FRENO TRASERO	Brake arm	1
FIG.26-8	99169-01000	ARANDELA 10MM	Washer 10	2
FIG.26-9	99443-	RESORTE BANDAS TRASERAS	Retaining spring	1
FIG.26-10				1
FIG.26-11		INDICADOR DESGASTE BANDAS	Indicating pad rear brake	1
FIG.26-12	98310-06000	TUERCA 6MM	Nut M6	1
FIG.26-13	84200-143	PORTABANDAS TRASERO COMPLETO	Rear brake Assy comp	1
FIG.26-14	99160-08000	ARANDELA 8MM	Washer,8	1
FIG.26-15	99103-06358	TORNILLO 6X35MM	Bolt 6x35	1
FIG.26-16	99103-	TORNILLO	BOLT	1
FIG.26-17	98310-08000	TUERCA 8MM	Nut M8	
	98310-06000		Nut M6	

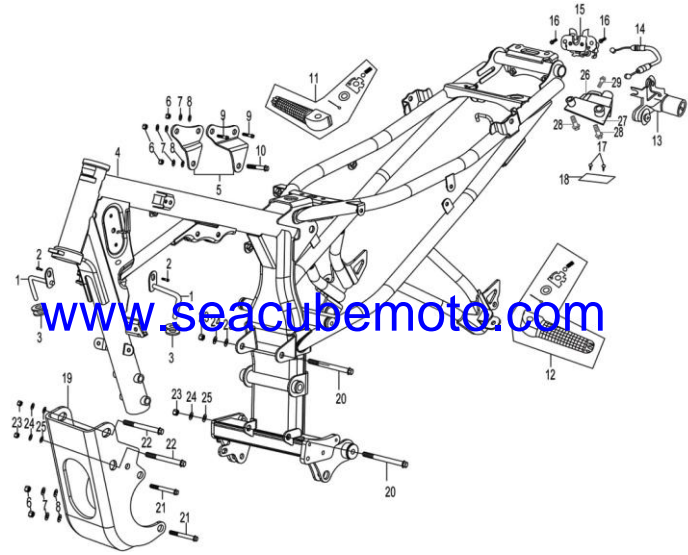


www.seacubemoto.com

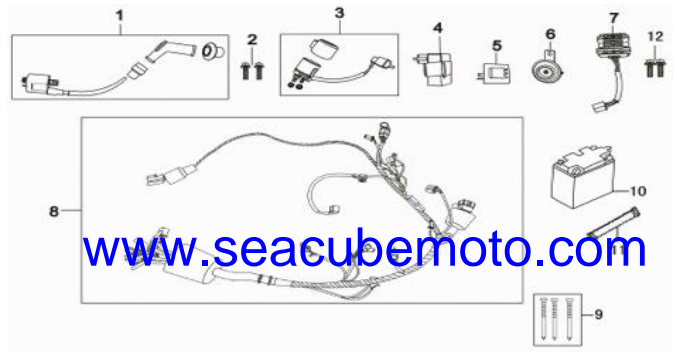
No	REFERENCIA	DESCRIPCION	DESCRIPTION	CANTIDAD
FIG.30-1	77231-143	TAPA DECORATIVA LH	Side cover L,adorn cover	1
FIG.30-2	77111-143-000	TAPA CENTRAL RH	Side cover R	1
FIG.30-3	99148-05000	CLIP	Clip M5	4
FIG.30-4	92112-05000	TORNILLO 5X12MM	Screw M5x12	4
FIG.30-5	92112-05128	TORNILLO 5X12MM	Screw M5x12	2
FIG.30-6	99160-06000	ARANDELA 6MM	Washer 6	2
FIG.30-7	99103-06168	TORNILLO 6X16MM	Bolt M6x16	2
FIG.30-8	71540-143	CAJA BATERIA	Battery box Assy	1
FIG.30-9	99320-	CAUCHO	T-shaped Rubber,Side cover	2
FIG.30-10	77611-143-000	TAPA LATERAL TRASERA RH	Rear side cover RH	1
FIG.30-11	92112-06168	TORNILLO 6X16MM	Screw M6x16	8
FIG.30-12	77711-143-000	TAPA LATERAL TRASER LH	Rear side cover LH	1
FIG.30-13	77211-143-000	TAPA CENTRAL LH	Side cover L	1
FIG.30-14	77131-143	TAPA DECORATIVA RH	Side cover R,adorn cover	1
FIG.30-15			Buffer Rubber,Side cover	2
FIG.30-16			Buffer Rubber,Gel nails	2
FIG.30-17			Rubber,Battery cover	1



No	REFERENCIA	DESCRIPCION	DESCRIPTION	CANTIDAD
FIG.31-1	77911-143-000	CUBIERTA TANQUE COMBUSTIBLE RH	Right guard, fuel tank	1
FIG.31-2	77811-143-000	CUBIERTA TANQUE COMBUSTIBLE LH	Left guard, fuel tank	1
FIG.31-3	99320	CAUCHO	T-Shaped Rubber	2
FIG.31-4	92112-05168	TORNILLO 5X16MM	Screw M5*16	10
FIG.31-5	99148-	TUERCA	Clamp, nut	8
FIG.31-6	77915-143-000	CUBIERTA SUPERIOR TANQUE COMBUSTIBLE	Center guard,fuel tank	1
FIG.31-7	92112-06168	TORNILLO 6MM	Screw M6x16	2
FIG.31-8	99148	CLIP	Clip	2
FIG.31-9	99148	CLIP	Clip M5	6
FIG.31-10	92112-05128	TORNILLO 5X12MM	Screw M5x12	6
FIG.31-11	37768-143	CUBIERTA LATERAL RH REJILLA	Right guard, Engine	1
FIG.31-12	37765-143	REJILLA ENTRADA AIRE	Engine Baffle	1
FIG.31-13	37750-143	SOPORTE REJILLA	Lower bracket,Engine Baffle	1
FIG.31-14	37769-143	CUBIERTA LATERAL LH REJILLA	Left guard, fuel tank	1
FIG.31-15	91103-06128	TORNILLO 6X12MM	Bolt M6x12	2
FIG.31-16	99160-06000	ARANDELA 6MM	Washer 6	2



No	REFERENCIA	DESCRIPCION	DESCRIPTION	CANTIDAD
FIG.32-1	37755-143	PLATINA	Engine. decorate bracket. Left engine. decorate brack	2
FIG.32-2		TORNILLO 6X12MM	Bolt M6x12	2
FIG.32-3	99320-	CAUCHO	T-shaped Rubber	2
FIG.32-4	71100-143	CHASIS	Frame assy	1
FIG.32-5	71991-143	PLATINA SUPERIOR MOTOR	front upper suspension	1
FIG.32-6		TORNILLO 8X65MM	Bolt M8x65	1
FIG.32-7		TUERCA 8MM	Nut M8	5
FIG.32-8		ARANDELA 8MM	Washer Φ8	5
FIG.32-9		ARANDELA 8MM	Washer Φ8	5
FIG.32-10		TORNILLO 8X35MM	Bolt M8x35	2
FIG.32-11	73760-143	DESCANSAPIE TRASERO RH	right rear footrest comp	1
FIG.32-12	73660-143	DESCANSAPIE TRASERO LH	left rear footrest comp	1
FIG.32-13	75150-143	SEGURO SILLIN	LOCK,REAR SEAT	1
FIG.32-14	68600-143	GUAYA SILLIN	Cable, seat lock	1
FIG.32-15	75151-143	CHAPA SILLIN	Lock,seat	1
FIG.32-16		TORNILLO	BOLT	1
FIG.32-17		TORNILLO 6X12MM	Bolt M6x12	2
FIG.32-18			Rivet M3.2x7	2
FIG.32-19	71992-143	SOPORTE MOTOR INFERIOR	Nameplate,body frame	1
FIG.32-20			front below suspension	1
FIG.32-21			Bolt M10x1.25x115	2



No	REFERENCIA	DESCRIPCION	DESCRIPTION	CANTIDAD
FIG.33-1	53410-143	BOBINA DE ALTA O ENCENDIDO	Ignition coil	1
FIG.33-2	99103-05208	TORNILLO 5X20MM	Hexangular flange bolt M5x20	2
FIG.33-3	51800-143	AUTOMATICO DE ARRANQUE	Starting relay	1
FIG.33-4	52900-143	CDI	CDI	1
FIG.33-5	58610-143	FLASHER	Flash relay	1
FIG.33-6	58500-143	PITO	Horn	1
FIG.33-7	52800-143	REGULADOR RECTIFICADOR	Regulator	1
FIG.33-8	56610-143	RAMAL ELECTRICO	Wire harness	1
FIG.33-9			Binding	3
FIG.33-10	53610-143	BATERIA 12V7AH	BATTER 12V-7AH	1
FIG.33-11		CAUCHO BATERIA	BAND , BATTERY	1
FIG.33-12	99103-06128	TORNILLO 6X12MM	Bolt M6x12	2

www.seacubemoto.com

