

AYCO

CATALOGO DE PARTES

www.seacubemoto.com

AY150GY-8

CROSS

2010-1

CATALOGO DE PARTES AY150GY-8 CROSS

www.seacubemoto.com



FIG.2 A,CILINDRO,EMPAQUES

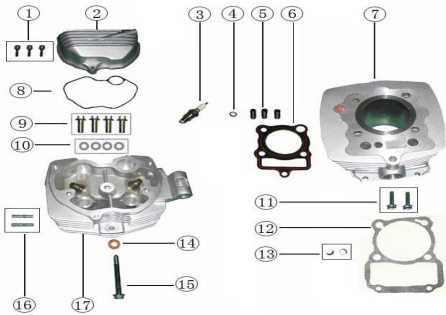
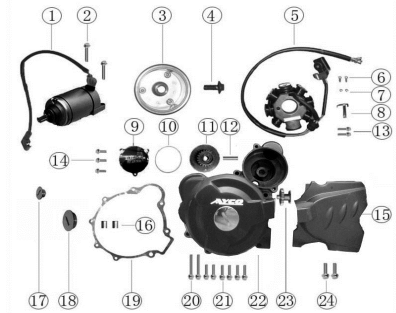


FIG.2.BALANCINES ARBOL DE LEVAS VALVULAS



FIG.3 STATOR,VOLANTE,MOTOR DE ARRANQUE



www.seacubemoto.com

FIG.4 CONJUNTO EMBRAGUE ,BOMBA LUBRICACION



FIG.5 KIT PISTON ,CIGUEÑAL,EJES

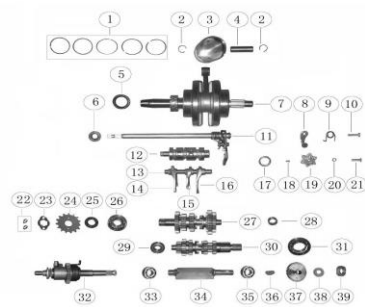


FIG.6 CARCAZAS MOTOR

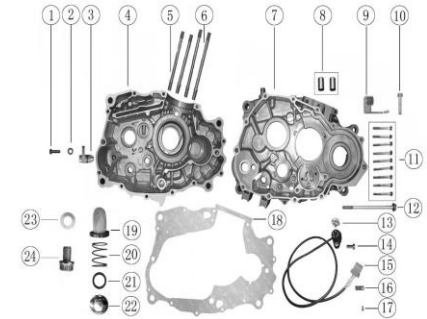


FIG.7 FAROLA CARENAJE, STOP,VELOCIMETRO



FIG.8 TANQUE COMBUSTIBLE SILLIN TAPAS

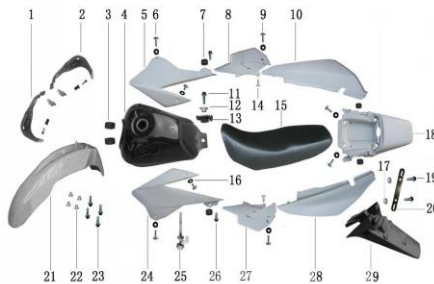


FIG.9 MANUBRIO,COMANDOS TELESCOPICOS

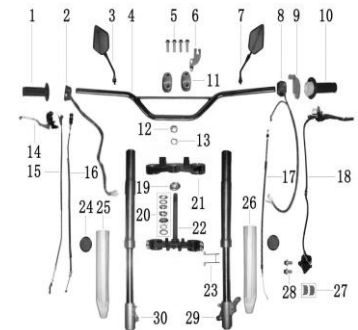


FIG. 10 ACCESORIOS, SISTEMA ELECTRICO

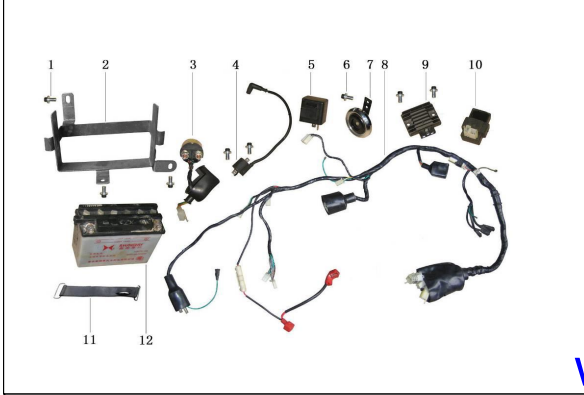
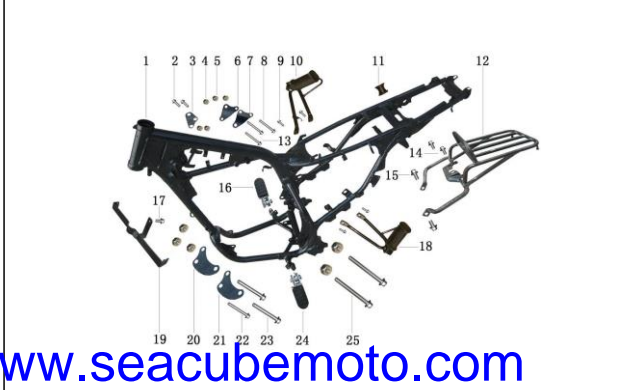


FIG 11 CHASIS



www.seacubemoto.com

FIG.12 AMORTIGUADOR, TIJERA PEDAL CAMBIOS

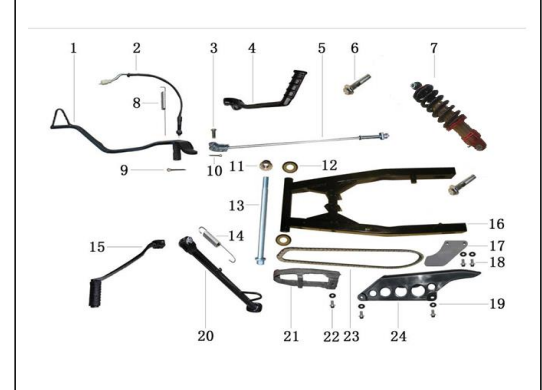


FIG.13 CARBURADOR FILTRO,EXOSTO

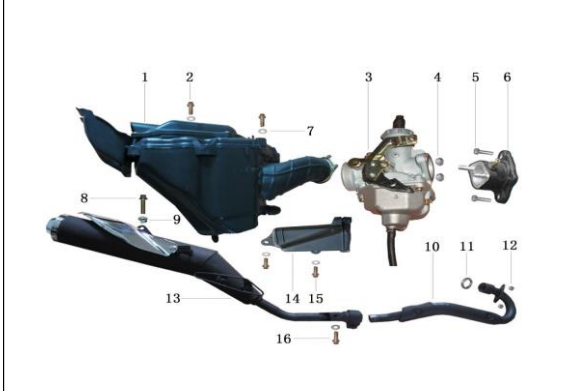


FIG 14 LLANTA DELANTERA Y TRASERA.

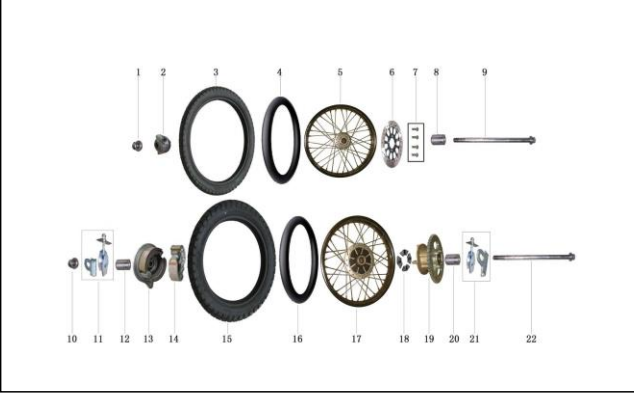


FIG. 15 HERRAMIENTAS



FIG.

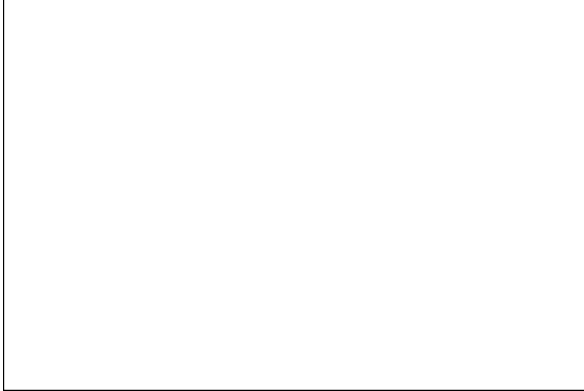


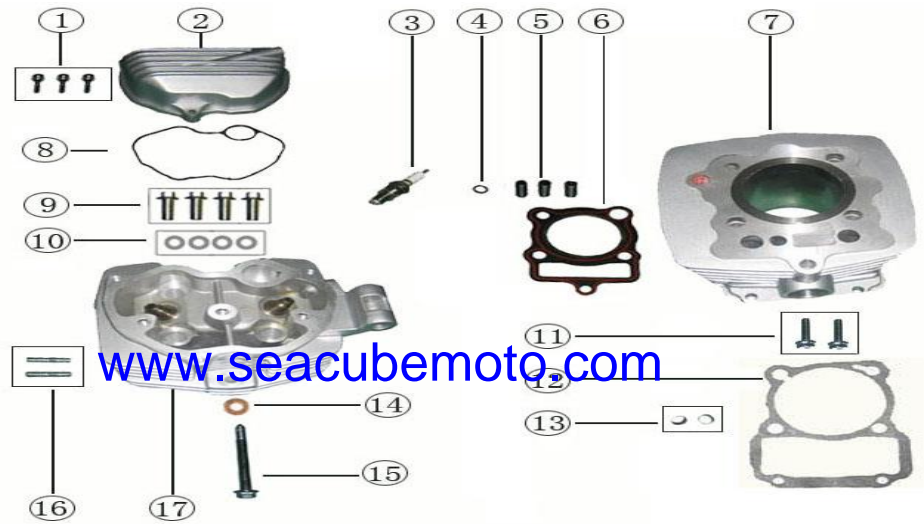
FIG.



FIG.



CULATA , CILINDRO, EMPAQUES



www.seacubemoto.com

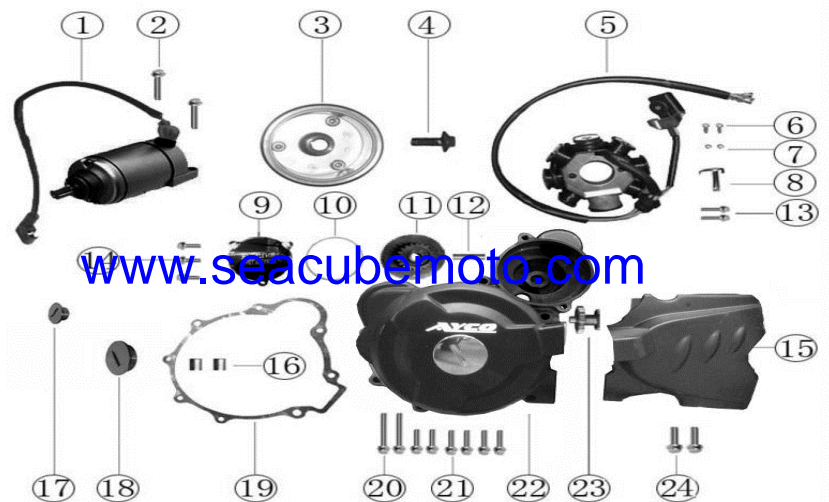
No	REFERENCIA	DESCRIPCION	DESCRIPTION	CANTIDAD
FIG.1-1	99103-06288	TORNILLO 6X28MM	Bolt M6x28	3
FIG.1-2	31175-451	TAPA NEGRA AY150GY-8	Cover, Cylinder Head BLACK	1
FIG.1-3	99482-D8EA	BUJIA D8EA	Spark Plug D8EA	1
FIG.1-4	99280-10150	ANILLO DE CAUCHO 10X1.5	O-ring10x1.5	1
FIG.1-5	94211-10200	GUIA CILINDRO 10X20	Dowel pin10*20	3
FIG.1-6	31141-451	EMPAQUE CULATA AY150GY-8	Gasket,Cylinder Head Cover	1
FIG.1-7	31210-451	CILINDRO NEGRO AY150GY-8	Cylinder Block Assy BLACK	1
FIG.1-8	31142-451	EMPAQUE TAPA CULATA AY150GY-8	Sealing up rubber	1
FIG.1-9	99103-08328	TORNILLO 8X32MM	Bolt M8x32	4
FIG.1-10	99160-12000	ARANDELA 12MM	Washer12	4
FIG.1-11	91107-06328	TORNILLO 6X28MM	Bolt M6x28	2
FIG.1-12	31241-451	EMPAQUE CILINDRO AY150GY-8	Gasket, Cylin Block	1
FIG.1-13	94211-10140	GUIA CILINDRO 10X14	Dowel pin10x14	2
FIG.1-14	99160-85182	ARANDELA 12MM	Washer8.5*18*2.5	1
FIG.1-15	99103-08828	TORNILLO 8X82MM	Bolt M8x82	1
FIG.1-16	91421-06228	ESPARRAGO 6X22MM	Bolt M6x22	2
FIG.1-17	31111-451	CULATA NEGRA AY150GY-8	Cylinder Head Comp BLACK	1

LANCINES , VALVULAS, ARBOL DE LEVAS



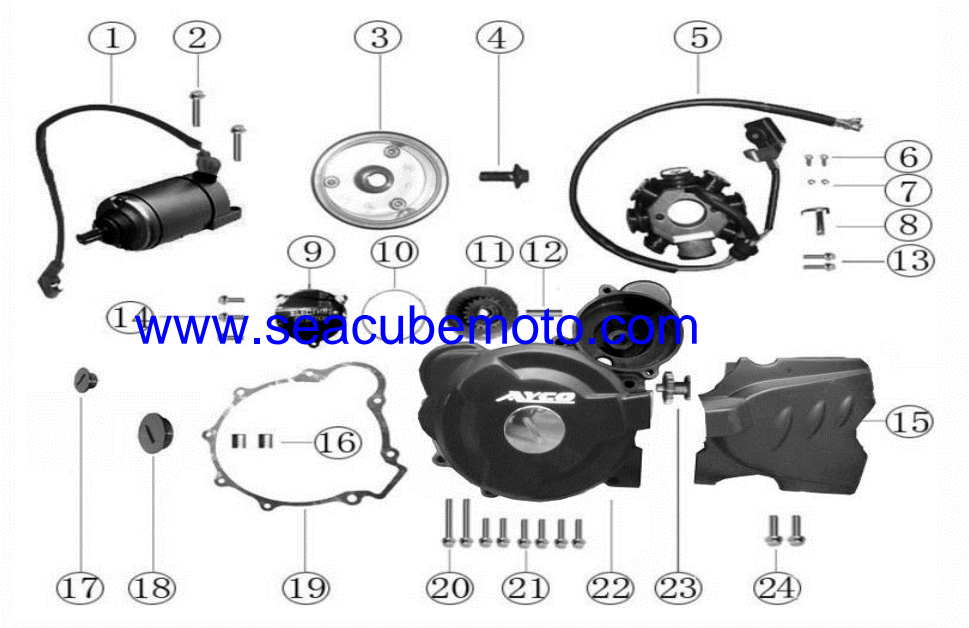
No	REFERENCIA	DESCRIPCION	DESCRIPTION	CANTIDAD
FIG.2-1	32839-451	SOPORTE BALANCINES AY150GY-8	Rocker Arm Assy.	1
FIG.2-2	99161-08182	ARANDELA COBRE 8X18X2	Washerø8×ø18×2	3
FIG.2-3	99103-08287	TORNILLO 8X28MM	Bolt M8×28	3
FIG.2-4	32910-451	VARILLAS IMPULSORAS AY150GY-8	Pushrod assy	2
FIG.2-5	32932-451	CUÑA VALVULAS AY150GY-8	Valve lock nip	4
FIG.2-6	32931-451	ASIENTO SUPERIOR VALVULAS AY150GY-8	Valve spring seat	2
FIG.2-7	32920-451	RESORTE VALVULAS EXTERNO AY150GY-8	Spring, vavle inner	2
FIG.2-8	32921-451	RESORTE VALVULAS INTERNO AY150GY-8	Spring, vavle outer	2
FIG.2-9	99289-451	SELLOS ACEITE VALVULAS AY150GY-8	Cap, control oil	2
FIG.2-10	32934-451	ASIENTO RESORTE INTERNO VALVULAS AY150GY-8	Valve inner spring seat	2
FIG.2-11	99164-12302	ARANDELA ESPECIAL 12.3X0.2X20.9	Washer12.3×0.2×20.9	1
FIG.2-12	32841-451	EJE BALANCIN INFERIOR AY150GY-8	Lower rocker arm shaft	1
FIG.2-13	99280-18250	ANILLO DE CAUCHO 18X2.5	O-ringø18×2.5	1
FIG.2-14	32933-451	ASIENTO RESORTE EXTERNO VALVULAS AY150GY-8	Valve outer spring seat	2
FIG.2-15	32850-451	BALANCIN INFERIOR AY150GY-8	Lower Rocker Arm	2
FIG.2-16	32711-451-044	ARBOL DE LEVAS AY150GY-8 NT44	Timing driven gear assy	1
FIG.2-17	99160-14241	ARANDELA 14X24X1	washerø14×ø24×1	1
FIG.2-18	32713-451	EJE ARBOL DE LEVAS AY150GY-8	Matching air camshaft	1
FIG.2-19	99280-20250	ANILLO DE CAUCHO 20X2.5	O-ringø20×2.5	1
FIG.2-20	99440-10131	RESORTE 10X13.5X10.4	spring	1

ATOR, VOLANTE, MOTOR DE ARRANQUE



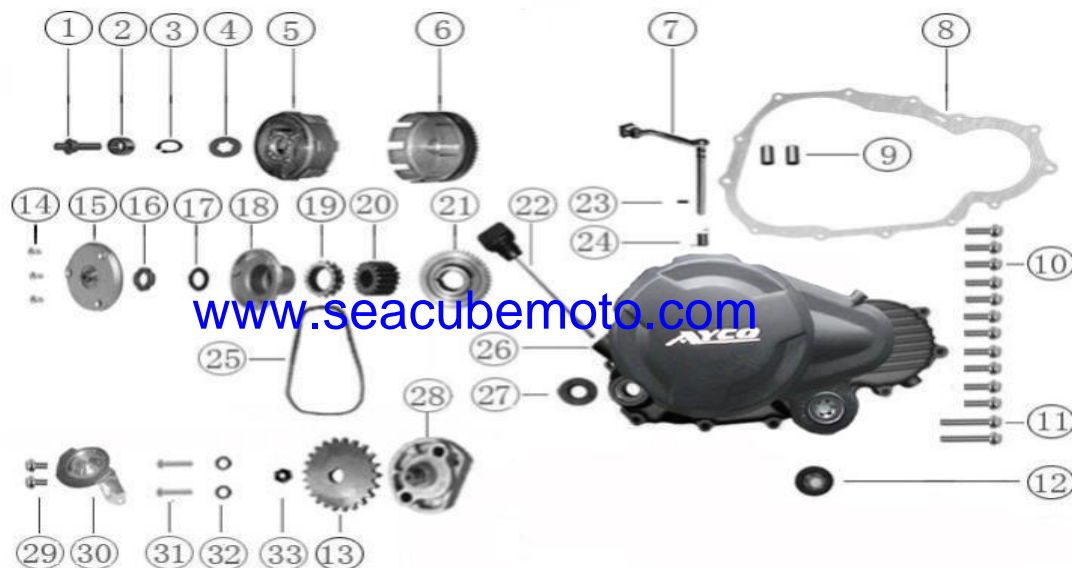
www.seacubemoto.com

No	REFERENCIA	DESCRIPCION	DESCRIPTION	CANTIDAD
FIG.3-1	51100-451-011	MOTOR DE ARRANQUE AY150GY-8 11 ESTRIAS	Starting motor	1
FIG.3-1	51100-451-009	MOTOR DE ARRANQUE AY150GY-8 9 ESTRIAS		
FIG.3-2	99103-06288	TORNILLO 6X28MM	Bolt M6x28	2
FIG.3-3	52102-451	VOLANTE AY150GY-8	Rotor assy, magneto	1
FIG.3-4	99103-10357	TORNILLO 10x35mm	Lock bolt, magneto	1
FIG.3-5	52101-451	STATOR O PLATO DE BOBINAS AY150GY-8	Stator assy, magneto	1
FIG.3-6	99103-05168	TORNILLO 5X15MM	Bolt M5x16	2
FIG.3-7	99160-05000	ARANDELA 5MM	Washerφ5	2
FIG.3-8			wiring piece, magneto	
FIG.3-9	31384-451	TAPA PIÑON REDUCTOR AY150GY-8	Pass wheel cover	1
FIG.3-10	99280-03630	ANILLO DE CAUCHO 3X63	O-ring	1
FIG.3-11	51370-451	BENDIX 1 NT 62/18	Dual-gear assy 62/18	1
FIG.3-12	51104-451	EJE BENDIX 1	Axle, dual-gear	1
FIG.3-13	99103-05258	TORNILLO 5X25MM	Bolt M5x25	2
FIG.3-14	99103-06208	TORNILLO 6X20MM	BoltM6x20	3
FIG.3-15	31361-451	TAPA PIÑON DE SALIDA AY150GY-8	L-Rr cover	1
FIG.3-16	94211-10140	GUIA 10X14	Dowel pinφ10×14	2
FIG.3-17	31353-451	TAPON TIEMPO AY150GY-8	Inspection hole screw	1
FIG.3-18	31352-451	TAPON STATOR AY150GY-8	screw	1
FIG.3-19	31483-451	EMPAQUE TAPA VOLANTE AY150GY-8	L-crankcase cover gasket	1
FIG.3-20	99103-06508	TORNILLO 6X50MM	BoltM6x50	2



No	REFERENCIA	DESCRIPCION	DESCRIPTION	CANTIDAD
FIG.3-21	99103-06408	TORNILLO 6X40MM	BoltM6x40	6
FIG.3-22	31351-451	TAPA VOLANTE AY150GY-8	L-crankcase assy	1
FIG.3-23	51371-451	BENDIX 2 NT 16/14	Dual-gear 16/14	1
FIG.3-24	99103-06508	TORNILLO 6X50MM	BoltM6x50	2

NJUNTO EMBRAGUE, BOMBA DE LUBRICACION, TAPA EMBRAGUE



www.seacubemoto.com

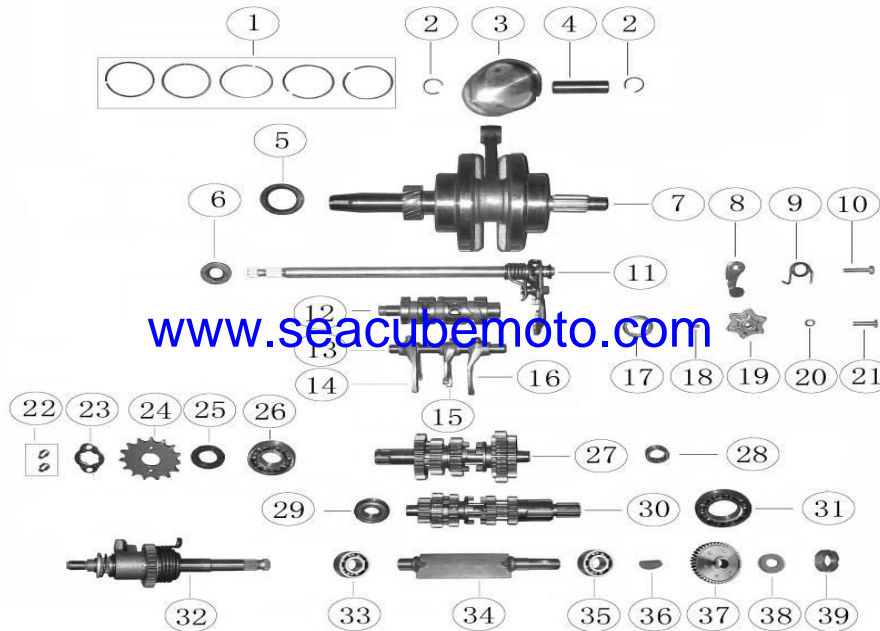
No	REFERENCIA	DESCRIPCION	DESCRIPTION	CANTIDAD
FIG.4-1	43121-451	SEPARADOR VARILLA EMBRAGUE AY150GY-8	Clutch mandril	1
FIG.4-2	99262-60010	RODAMIENTO 6001	Bearing6001	1
FIG.4-3	98331-12515	ANILLO METALICO O PRISIONERO	Collar	1
FIG.4-4	99160-20372	ARANDELA ESPECIAL	Spline Washer	1
FIG.4-5	41500-451	EMBRAGUE COMPLETO AY150GY-8	Driven Disc Comp.,Clutch	1
FIG.4-6	41200-451-073	CORONA O PRENSA EMBRAGUE AY150GY-8	Drive Disc Comp.,Clutch	1
FIG.4-7	43221-451	LEVA EMBRAGUE AY150GY-8	Clutch joy stick assy	1
FIG.4-8	31482-451	EMPAQUE TAPA EMBRAGUE AY150GY-8	Gasket,Crankcase Cover,RH	1
FIG.4-9	94211-08140	GUIA 8X14	Dowel pin φ8×14	2
FIG.4-10	99103-06408	TORNILLO 6X40MM	BoltM6×40	11
FIG.4-11	99103-06508	TORNILLO 6X50MM	BoltM6×50	2
FIG.4-12	31177-451	VISOR NIVEL DE ACEITE AY150GY-8	Observe window, Oil	1
FIG.4-13	32773-451-023	PIÑON BOMBA LUBRICACION NT23	DRIVEN GEAR ASSEMBLY NT23	1
FIG.4-14	91107-05128	TORNILLO 5X12MM	Screw M5×12	3
FIG.4-15	36102-451	TAPA ROTOR BOMBA LUBRICACION	Cover , oil filter	1
FIG.4-16	98319-27156	TUERCA ESPECIAL EMBRAGUE	Fixing nut, primary initiative gear	1
FIG.4-17	99160-	ARANDELA	Washer	1
FIG.4-18	36512-451	ROTOR FILTRO ACEITE	Rotor assy, oil filter	1
FIG.4-19	36331-451-016	PIÑON ENGRANE BOMBA LUBRICACION AY150GY-8	DRIVE SPROCKET, OIL PUMP NT16	1
FIG.4-20	41111-451-018	PIÑON PRIMARIO NT18 AY150GY-8	Primary initiative gear NT18	1

NJUNTO EMBRAGUE, BOMBA DE LUBRICACION, TAPA EMBRAGUE



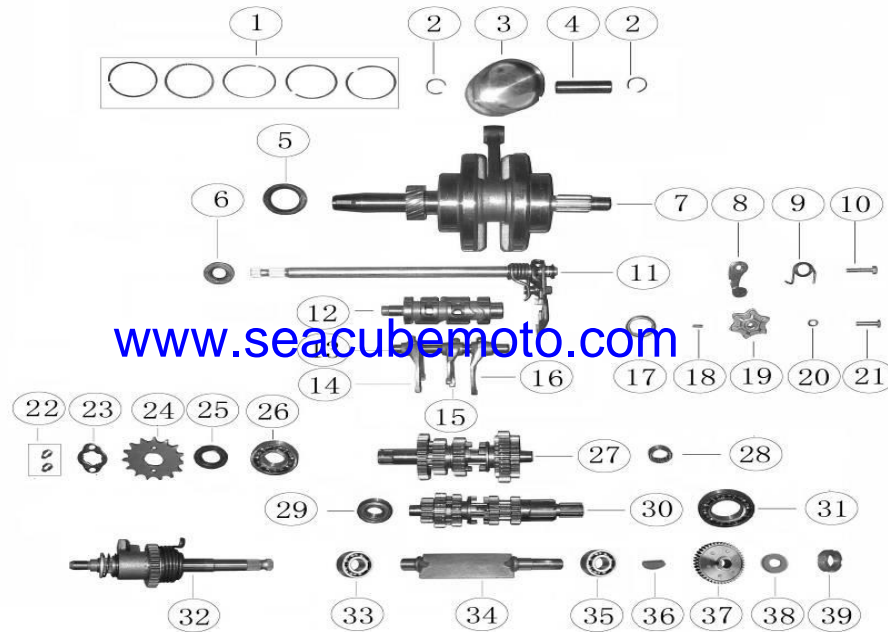
No	REFERENCIA	DESCRIPCION	DESCRIPTION	CANTIDAD
FIG.4-21	32667-451-043	PIÑON CONDUCTOR CONTRABALANCEADOR NT43 AY150GY-8	DRIVING GEAR, BALANCE NT43	1
FIG.4-22	31971-451	MEDIDOR NIVEL DE ACEITE AY150GY-8	Dipstick	1
FIG.4-23	94111-03216	PIN 32X16	Pin	1
FIG.4-24	99440-12151	RESORTE LEVA EMBRAGUE	Spring, clutch joy stick	
FIG.4-25	32159-451	CADENILLA DE LUBRICACION AY150GY-8	CHAIN, OIL PUMP	1
FIG.4-26	31341-451	TAPA EMBRAGUE AY150GY-8	R-crankcase cover assy	1
FIG.4-27	99285-16287	SELLO ACEITE PEDAL ARRANQUE 16X28X7	OIL SEAL 16X28X7	1
FIG.4-28	36100-451	BOMBA DE LUBRICACION AY150GY-8	Oil pump assy	1
FIG.4-29	99103-06128	TORNILLO 6X12MM	BoltM6x12	2
FIG.4-30	36335-451	TAPA BOMBA LUBRICACION AY150GY-8	COVER, SPROCKET WHEEL, OIL PUMP	1
FIG.4-31	91107-06288	TORNILLO 6X28MM	Screw M6x28	2
FIG.4-32	99280-94240	ANILLO DE CAUCHO 9.4X2.4	O-Ringφ9.4×2.4	2
FIG.4-33	98310-08000	TUERCA 8MM	Nut M8	1
FIG.4-34	41410-455	MANGUITO EMBRAGUE AY200GY	CENTER COMP,CLUTCH	1
FIG.4-35	41451-455	DISCO EMBRAGUE METALICO AY200GY	DISK,CLUTCH FRICTION	5
FIG.4-36	41441-455	DISCO EMBRAGUE ADBESTO AY200GY	PLATE,CLUTCH	6
FIG.4-37	41103-455	PLATO PRESION EMBRAGUE AY200GY	PLATE,CLUTCH PRESSURE	1

PISTON, CIGÜEÑAL.EJE PRIMARIO,SECUNDARIO,ARRANQUE



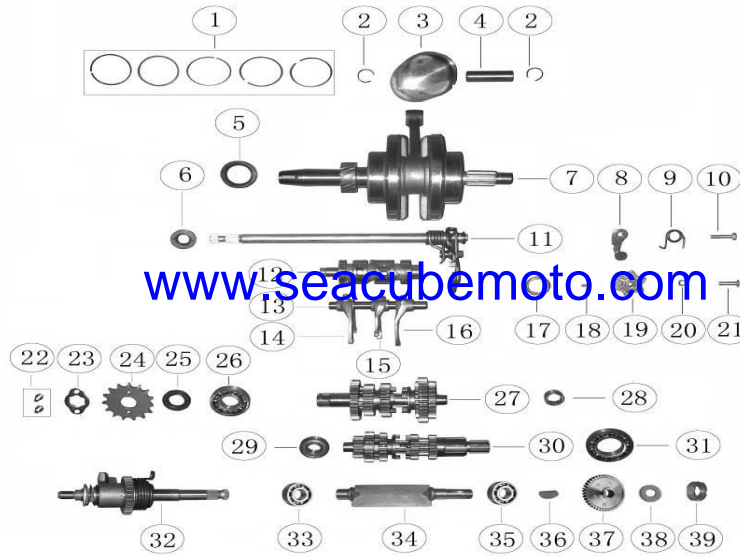
No	REFERENCIA	DESCRIPCION	DESCRIPTION	CANTIDAD
FIG.5-1	32140-451-000	JUEGO ANILLOS STD AY150GY-8	Piston ring	1
FIG.5-2	99381-14000	PIN PISTON	Piston pin circlip	2
FIG.5-3	32110-451-000	PISTON STD AY150GY-8	Piston	1
FIG.5-4	32151-451	PASADOR PISTON AY150GY-8	Piston pin	1
FIG.5-5	99283-34507	SELLO ACEITE CIGÜEÑAL LH 34X50X7	Crankshaft L-oil seal 34x50x7	1
FIG.5-6	99283-14287	SELLO ACEITE EJE DE CAMBIOS 14X28X7 AY150GY-8	Oil seal, gearshift 14x28x7	1
FIG.5-7	32200-451	CIGÜEÑAL COMPLETO AY150GY-8	Crankshaft connecting rod assy	1
FIG.5-8	45350-451	LEVA SELECTORA DE CAMBIOS AY150GY-8	Limit Block	1
FIG.5-9	45301-451	RESORTE LEVA SELECTORA AY150GY-8	Spring	1
FIG.5-10	91107-06228	TORNILLO 6X22MM	Bolt M6x22	1
FIG.5-11	45510-451	EJE DE CAMBIOS AY150GY-8	Shaft, gearshift	1
FIG.5-12	45310-451	SELECTOR DE CAMBIOS AY150GY-8	Gearshift drum assy	1
FIG.5-13	45411-451	PASADOR HORQUILLAS AY150GY-8	Fork Shaft	1
FIG.5-14	45211-451	HORQUILLA CAMBIOS 1 AY200GY	FORK, GEARSHIFT I	1
FIG.5-15	45221-451	HORQUILLA CAMBIOS 2 AY200GY	FORK, GEARSHIFT II	1
FIG.5-16	45231-451	HORQUILLA CAMBIOS 3 AY200GY	FORK, GEARSHIFT II	1
FIG.5-17	99263-21100	RODAMIENTO DE AGUJAS HK2110	Roller Bearing HK2110	1
FIG.5-18	99261-10040	PIN 10X4MM	Set Pin	1
FIG.5-19	45381-451	ESTRELLA SELECTORA DE CAMBIOS AY150GY-8	Wheel, gearshift	1
FIG.5-20	99160-06000	ARANDELA 6MM	Washerø6	1

PISTON,CIGÜEÑAL,EJE PRIMARIO,SECUNDARIO,ARRANQUE



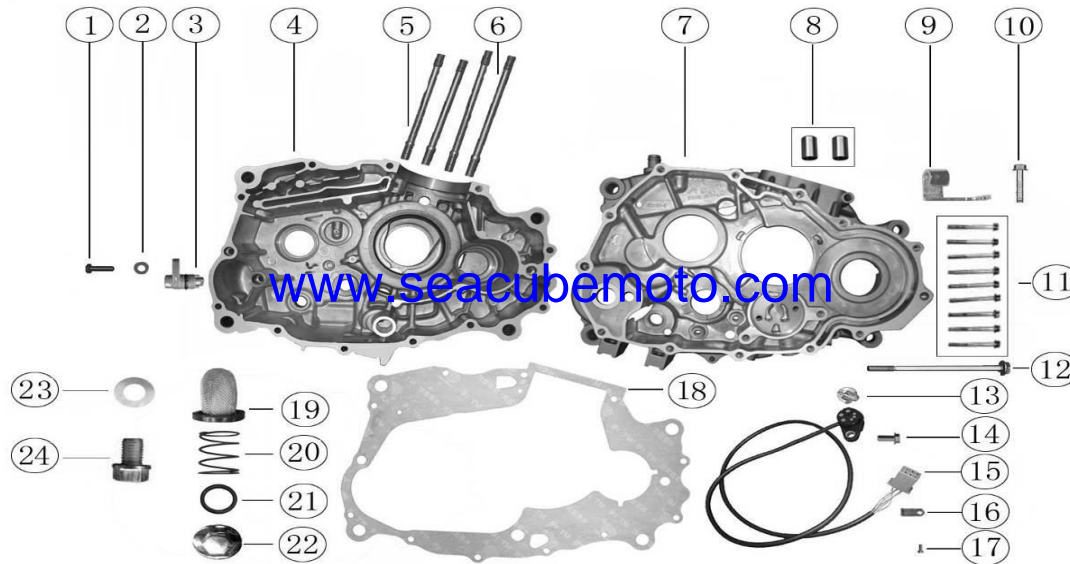
No	REFERENCIA	DESCRIPCION	DESCRIPTION	CANTIDAD
FIG.5-21	91107-06258	TORNILLO 6X25MM	Bolt M6x25	1
FIG.5-22	91107-06108	TORNILLO 6X10MM	Bolt M6x10	2
FIG.5-23	47512-451	ARANDELA PIÑON DE SALIDA AY150GY-8	Fixing plank, output chain wheel	1
FIG.5-24	47511-451-015	PIÑON DE SALIDA AY150GY-8 NT15	Output chain wheel	1
FIG.5-25	99283-20347	SELLO ACEITE PIÑON DE SALIDA 20X34X7	Oil seal, countershaft	1
FIG.5-26	98143-62040	RODAMIETO6204	Main Shaft Bearing 6204	1
FIG.5-27	44130-451	EJE SECUNDARIO COMPLETO	Countershaft assy	1
FIG.5-28	99263-15120	CANASTILLA DE CAJA AY150-GY-8 1512	Roller Bearing 1512	1
FIG.5-29	98143-62020	RODAMIENTO DE CAJA 6202	Main Shaft Bearing 6202	1
FIG.5-30	44120-451-013	EJE PRIMARIO NT13 COMPLETO	Principal axis assy	1
FIG.5-31	98143-60060	RODAMIENTO CAJA 6006	Main Shaft Bearing 6006	1
FIG.5-32	46200-451	EJE ARRANQUE COMPLETO AY150GY-8	Assy, start axes	1
FIG.5-33	98143-62030	RODAMIENTO CONTABALANCEADOR L 6203	Main Shaft Bearing	1
FIG.5-34	32651-451	CONTRABALANCEADOR AY150GY-8	SHAFT CRANK BALANCER SET	1
FIG.5-35	98143-63030	RODAMIENTO CONTRABALANCEADOR RH 6303	Main Shaft Bearing	1
FIG.5-36	98341-13044	CUNA CONTRABALANCEADOR AY150GY-8	KEY,WOODRUFF	1
FIG.5-37	32666-451-044	PIÑON CONTRABALANCEADOR NT44 AY150GY-8	DRIVEN GEAR ASSEMBLY, BALANCE	1
FIG.5-38	99160-16232	ARANDELA 16.2X3X22.5	THRUST WASHER 16.2x3x22.5	1
FIG.5-39	98310-16168	TUERCA 16X1.6	LOCK NUT M16x1-6H (LEFT)	1
FIG.5-40	32667-451	PIÑON CONTRABALANCEADOR NT44 AY150GY-8	DRIVEN GEAR ASSEMBLY, BALANCE	1

PISTON,CIGÜEÑAL,EJE PRIMARIO,SECUNDARIO,ARRANQUE



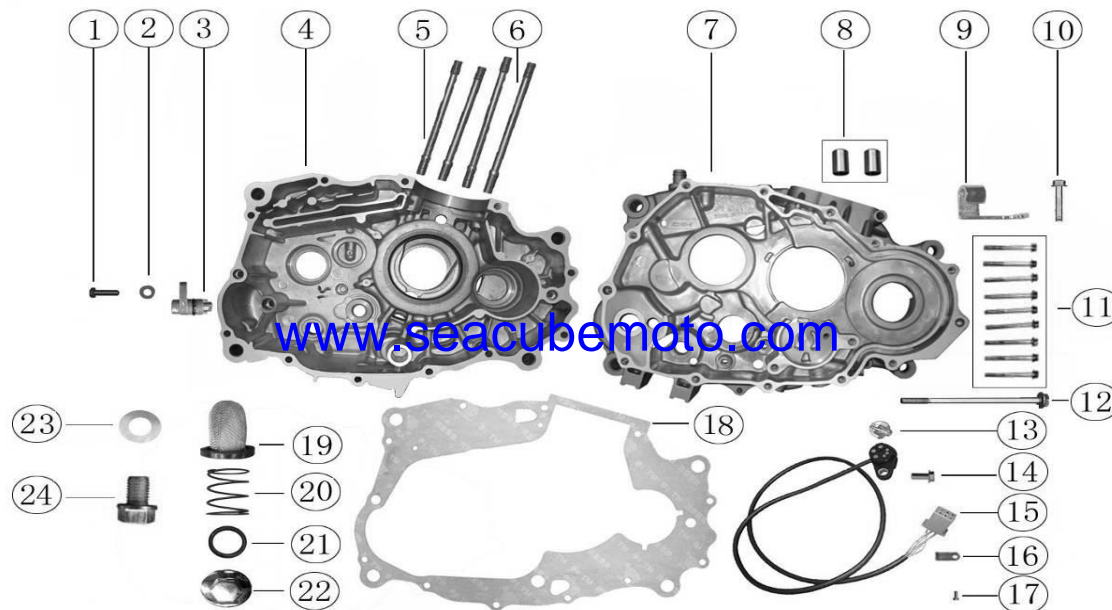
No	REFERENCIA	DESCRIPCION	DESCRIPTION	CANTIDAD
FIG.5-41	44221-451-017	PIÑON 2 EJE PRIMARIO NT17 AY150GY-8		1
FIG.5-42	44251-451-025	PIÑON 5 EJE PRIMARIO NT25 AY150GY-8		1
FIG.5-43	44241-451-023	PIÑON 4 EJE PRIMARIO NT23 AY150GY-8		1
FIG.5-44	44231-451-020	PIÑON 3 EJE PRIMARIO NT20 AY150GY-8		1
FIG.5-45	44121-451-013	EJE PRIMARIO NT13 AY150GY-8		1
FIG.5-46	44360-451-022	PIÑON PATADA ARRANQUE NT22 AY150GY-8		1
FIG.5-47	44260-451-019	PIÑON LOCO ARRANQUE AY150GY-8		1
FIG.5-48	44310-451-036	PIÑON 1 EJE SECUNDARIO NT36 AY150GY-8		1
FIG.5-49	44331-451-028	PIÑON 3 EJE SECUNDARIO NT28 AY150GY-8		1
FIG.5-50	44341-451-026	PIÑON 4 EJE SECUNDARIO NT26 AY150GY-8		1
FIG.5-51	44131-451	EJE SECUNDARIO AY200GY HK1512		1
FIG.5-52	44321-451-032	PIÑON 2 EJE SECUNDARIO NT32 AY150GY-8		1

RCAZAS MOTOR



No	REFERENCIA	DESCRIPCION	DESCRIPTION	CANTIDAD
FIG.6-1	91107-06258	TORNILLO 6X25MM	Bolt M6x25	1
FIG.6-2	99160-06000	ARANDELA 6MM	Washer 6.5x13x2	1
FIG.6-3	46441-451	PIN PRESION RODAMIENTO LH cigüeñal AY150GY-8	Press pin assy	1
FIG.6-4	31302-451	CARCAZA MOTOR LH AY150GY-8	L-crankcase assy	1
FIG.6-5	99108-08122	ESPARRAGO 8X122MM	Cylinder bolt B M8x122	2
FIG.6-6	99108-08130	ESPARRAGO 8X130MM	Cylinder bolt A M8x130	2
FIG.6-7	31301-451	CARCAZA MOTOR RH AY150GY-8	R-crankcase assy	1
FIG.6-8	94211-	GUIA CARCAZA	Dowel pin	2
FIG.6-9	31020-451	PLATINA AJUSTE GUAYA EMBRAGUE AY150GY-8	Adjust bracket, clutch cable	1
FIG.6-10	99103-06557	TORNILLO 6X55MM	Bolt M6x55	1
FIG.6-11	99103-06507	TORNILLO 6X50MM	Bolt M6x50	9
FIG.6-12	99103-06957	TORNILLO 6X95MM	Bolt M6x95	1
FIG.6-13	57712-451	CONTACTOR CAMBIOS AY150GY-8	Contact, Gearshift, Drum	1
FIG.6-14	99103-06128	TORNILLO 6X12MM	Bolt M6x12	1
FIG.6-15	57720-451	INDICADOR DE CAMBIOS AY150GY-8	Wire harness	1
FIG.6-16			Nip, press line	1
FIG.6-17	91107-06128	TORNILLO 6X12MM	Bolt M6x12	1
FIG.6-18	31481-451	EMPAQUE CENTRO MOTOR AY150GY-8	Crankcase gasket	1
FIG.6-19	36520-451	MALLA FILTRO ACEITE AY150GY-8	Gauze Set	1
FIG.6-20	99440-25550	RESORTE	Spring, filter gauze	1

RCAZAS MOTOR



No	REFERENCIA	DESCRIPCION	DESCRIPTION	CANTIDAD
FIG.6-21	99280-35300	ANILLO DE CAUCHO 35X3	O-Ring $\Phi 35 \times 3$	1
FIG.6-22	31176-451	TAPA FILTRO ACEITE AY150GY-8	Cover, Gauze	1
FIG.6-23	99160-12515	ARANDELA 12.5X1.5X20	Washer 12.5x1.5x20	1
FIG.6-24	99103-12258	TORNILLO DRENAJE ACEITE 12X25MM	Fuel screw	1

FAROLA, CARENAJE, DIRECCIONALES, STOP, VELOCIMETRO



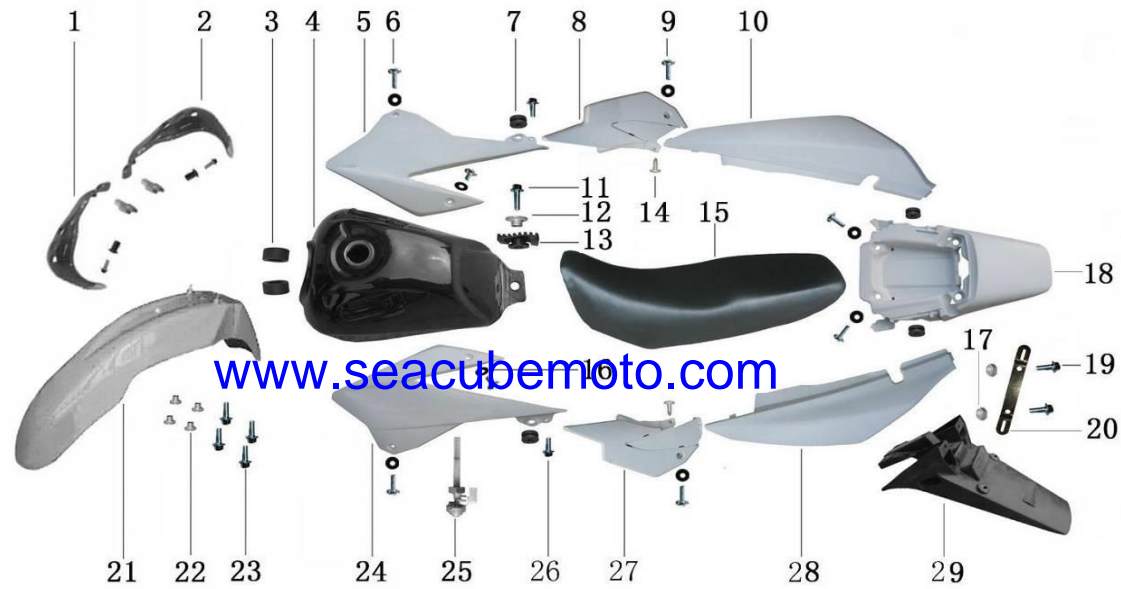
No	REFERENCIA	DESCRIPCION	DESCRIPTION	CANTIDAD
FIG.7-1	92132-04210	TORNILLO 4.2X10MM	Screw ST4.2x10	2
FIG.7-2	55100-451	FAROLA AY150GY-8	Headlight	1
FIG.7-3	99470-12353	BOMBILLO FAROLA 12V-35W35	Headlight bulb	1
FIG.7-4	61811-451-NGR	CARENAJE FAROLA NEGRO AY150GY-8	Front fairing unit	1
FIG.7-5	92112-06258	TORNILLO 6X25M	Screw M6x25	2
FIG.7-6	92132-04216	TORNILLO 4.2X16MM	Screw ST4.2x16	2
FIG.7-7	99103-06358	TORNILLO 6X35MM	Bolt M6x35	1
FIG.7-8	99160-06000	ARANDELA 6MM	Washer φ6	5
FIG.7-9	99320-24080	CAUCHO	Connect rubber, taillight	1
FIG.7-10	63114-451-NGR	SOPORTE GUARDABARRO DEL NEGRO AY125GY-8	Connect board	1
FIG.7-11	99160-05000	ARANDELA 5MM	Washer φ5	4
FIG.7-12	99320-20060	CAUCHO	Rubber mat	2
FIG.7-13	63115-451	PLATINA INTERNA SOPORTE GUARDABARRO DEL AY150GY-8	Bearing plank, front fender	1
FIG.7-14	55115-451	SOPORTE CARENAJE FAROLA AY150GY-8	Bracket, front fairing	1
FIG.7-15	99472-12100	BOMBILLO DIRECCIONAL 12V10W	Turning light bulb	4
FIG.7-16	55601-451	DIRECCIONAL DELANTERA DERECHA AY150GY-8	TURNLIGHT FRONT, R	1
FIG.7-17	91107-05208	TORNILLO 5X20MM	Bolt M5x20	4
FIG.7-18	66313-451	SOPORTE SUPERIOR CARENAJE FAROLA RH AY150GY-8	Install bracket, RH turninglight	1
FIG.7-19	54100-451	CONJUNTO VELOCIMETRO AY150GY-8	METER	1
FIG.7-20	64910-451	GUAYA VELOCIMETRO AY150GY-8	Flexible cable, odometer	1
FIG.7-21	55603-451	DIRECCIONAL TRASERA DERECHA AY150GY-8	Turnlight back, R	1

FAROLA, CARENAJE, DIRECCIONALES, STOP, VELOCIMETRO



No	REFERENCIA	DESCRIPCION	DESCRIPTION	CANTIDAD
FIG.7-22	55710-451	STOP COMPLETO AY150GY-8	Taillight assy	1
FIG.7-23	99473-12258	BOMBILLO STOP 12V25/8W	Taillight bulb	1
FIG.7-24	99103-06128	TORNILLO 6X12MM	BOLT M6x12	2
FIG.7-25	54950-451	SOPORTE VELOCIMETRO AY150GY-8	Bracket assy, meter	1
FIG.7-26	99169-18099	BUJE	Bush, meter	2
FIG.7-27	98310-06000	TUERCA 6MM	NUT M6	2
FIG.7-28	66310-451	SOPORTE SUPERIOR CARENAJE FAROLA LH AY150GY-8	Install bracket, LH turninglight	1
FIG.7-29	55602-451	DIRECCIONAL DELANTERA IZQ AY150GY-8	TURNLINHT FRONT, L	1
FIG.7-30	57100-451	CONJUNTO INTERRUPTOR ENCENDIDO Y TAPA GASOLINA	Lock, bike head	1
FIG.7-31	99103-06168	TORNILLO 8X16MM	BOLT M8x16	2
FIG.7-32	55604-451	DIRECCIONAL TRASERA IZQ AY150GY-8	Turnlight back, L	1

TANQUE COMBUSTIBLE ,SILLIN,GUARDABARROS,TAPAS LATERALES



www.seacubemoto.com

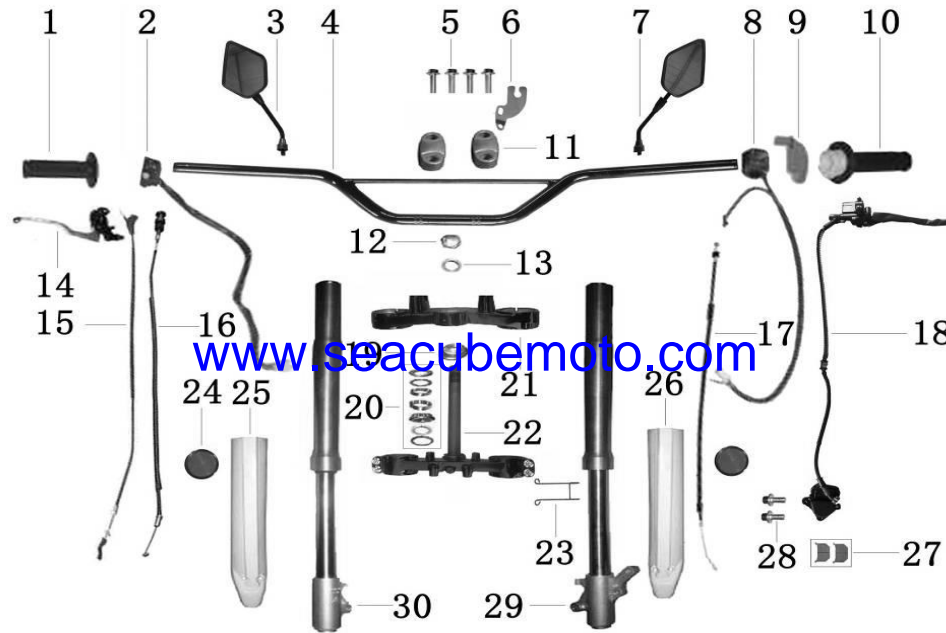
No	REFERENCIA	DESCRIPCION	DESCRIPTION	CANTIDAD
FIG.8-1	67341-451-NGR	CUBIERTA MANIGUETA NEGRA LH AY150GY-8	Windshield, left grip	1
FIG.8-2	67342-451-NGR	CUBIERTA MANIGUETA NEGRA RH AY150GY-8	Windshield, right grip	1
FIG.8-3	74543-451	CAUCHO DEL. TANQUE DE COMBUSTIBLE AY150GY-8	F-damping mat, gasoline tank	2
FIG.8-4	74110-451-NGR	TANQUE COMBUSTIBLE NEGRO AY150GY-8	FUEL TANK	1
FIG.8-5	77911-451-000	CUBIERTA RH TANQUE DE COMBUSTIBLE AY150GY-8	R-decorate cover. gasoline tank	1
FIG.8-6	92142-06128	TORNILLO 6X12MM	Screw M6x12	6
FIG.8-7	99320-24080	CAUCHO	Rubber	4
FIG.8-8	77611-451-000	TAPA LATERAL CENTRAL DER AY150GY-8	Right side cover, front	1
FIG.8-9	92142-06168	TORNILLO 6X16MM	Screw M6x16	6
FIG.8-10	77111-451-000	TAPA LATERAL DER AY150GY-8	Right side cover, rear	1
FIG.8-11	99103-08258	TORNILLO 8X25MM	BOLT M8x25	1
FIG.8-12	99169-18099	BUJE	R-install bush, gasoline tank	1
FIG.8-13	74542-451	CAUCHO TANQUE COMBUSTIBLE	GASKET	1
FIG.8-14	92132-04212	TORNILLO 4.2X12	SCREW ST4.2x12	2
FIG.8-15	75100-451	SILLIN AY150GY-8	SEAT ASSY	1
FIG.8-16			GASKET	8
FIG.8-17	98316-06000	TUERCA 6MM	Nut M6	2
FIG.8-18	77411-451-000	COLA TRASERA AY150GY-8	Rear sect. rear fender	1
FIG.8-19	99103-06168	TORNILLO 6X16MM	Bolt M6x16	2
FIG.8-20	55927-451	SOPORTE PLACA AY150GY-8	Rear license bracket	1

TANQUE COMBUSTIBLE, SILLIN, GUARDABARROS, TAPAS LATERALES



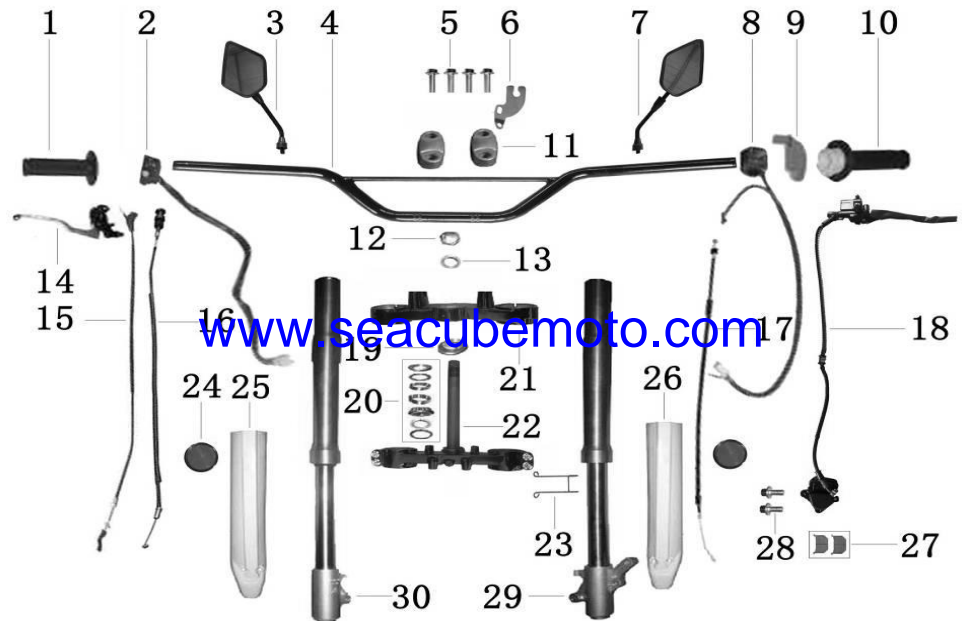
No	REFERENCIA	DESCRIPCION	DESCRIPTION	CANTIDAD
FIG.8-21	63111-451-000	GUARDABARRO DELANTERO AY150GY-8	FR.FENDER	1
FIG.8-22	99169-18099	BUJE	TUBE	4
FIG.8-23	99103-06258	TORNILLO 6X25MM	BOLT M6x25	4
FIG.8-24	77811-451-000	CUBIERTA LH TANQUE DE COMBUSTIBLE AY150GY-8	L-decorate cover. gasoline tank	1
FIG.8-25	74300-451	LLAVE DE PASO COMBUSTIBLE AY150GY-8	COCK	1
FIG.8-26	99103-06128	TORNILLO 6X12MM	BOLT M6x12	2
FIG.8-27	77711-451-000	TAPA LATERAL CENTRAL IZQ AY150GY-8	Left side cover, front	1
FIG.8-28	77211-451-000	TAPA LATERAL LH AY150GY-8	Left side cover, rear	1
FIG.8-29	83111-451	GUARDABARRO TRASERO AY150GY-8	Rear fender	1

NUBRIO,COMANDOS ,ESPIGO,TELESCOPICOS,MANILARES, GUAYAS



No	REFERENCIA	DESCRIPCION	DESCRIPTION	CANTIDAD
FIG.9-1	67211-451	MANILAR DE CAUCHO LH AY150GY-8	Grip, LH	1
FIG.9-2	57400-451	COMANDO IZQUIERDO LH AY150GY-8	Handlebar switch, LH	1
FIG.9-3	66600-451	ESPEJO IZQUIERDO LH AY150GY-8	Rear-left view mirror	1
FIG.9-4	66110-451	MANUBRIO AY150GY-8	Steering bar	1
FIG.9-5	99103-08408	TORNILLO 8X40MM	Bolt M8x40	4
FIG.9-6				1
FIG.9-7	66500-451	ESPEJO DERECHO RH AY150GY-8	Rear-right view mirror	1
FIG.9-8	57200-451	COMANDO DERECHO RH AY150GY-8	Handlebar switch, RH	1
FIG.9-9	67100-451	CAJA MANILAR ACELERADOR AY150GY-8	BASE, GREASER	1
FIG.9-10	67110-451	MANILAR ACELERADOR AY150GY-8	Grip, RH	1
FIG.9-11	66211-451	ABRAZADERAS MANUBRIO AY150GY-8	Fixing block, steering bar	2
FIG.9-12	99140-30218	TUERCA ESPIGO	Lock nut, steering stem	1
FIG.9-13	99160-37251	ARANDELA 37X25X1MM	Adjusting washer, steering stem	1
FIG.9-14	67500-451	SOPORTE MANIJA IZQ AY150GY-8	Clutch lever assy	1
FIG.9-15	68200-451	GUAYA EMBRAGUE AY150GY-8	Clutch cable unit	1
FIG.9-16	68410-451	GUAYA CHOKE AY150GY-8	Cable, air choke	1
FIG.9-17	68300-451	GUAYA ACELERADOR AY150GY-8	Throttle cable	1
FIG.9-18	69100-451	CONJUNTO FRENO DE DISCO COMP AY150GY-8	Front disk brake assy	1
FIG.9-19	61631-451	TUERCA DIRECCION AY150GY-8	Adjusting nut, steering stem	1

NUBRIO,COMANDOS,ESPIGO,TELESCOPICOS,MANILARES,GUAYAS



No	REFERENCIA	DESCRIPCION	DESCRIPTION	CANTIDAD
FIG.9-20	61600-451-KIT	KIT CUNAS DIRECCION AY150GY-8	Aspect bering unit	1
FIG.9-21	61311-451	MENSULA DIRECCION AY150GY-8	Head,steering stem	1
FIG.9-22	61410-451	ESPIGO DIRECCION AY150GY-8	Steering stem	1
FIG.9-23				1
FIG.9-24	55950-451	REFLECTIVO	Reflector	2
FIG.9-25	61160-451	PROTECTOR TELESCOPICO IZQ. LH NEGRO AY150GY-8	Left cover, front fork (black)	1
FIG.9-26	61150-451	PROTECTOR TELESCOPICO DER. RH NEGRO AY150GY-8	Right cover, front fork (black)	1
FIG.9-27	69200-451	PASTILLAS FRENO DELANTERO	Front arrester, piece	1
FIG.9-28	99103-10358	TORNILLO MORDAZA DEL. 10X35MM	Bolt	2
FIG.9-29	61103-451	TELESCOPICO DER.RH AY150GY-8	Front fork sub-assy (R)	1
FIG.9-30	61104-451	TELESCOPICO IZQ. LH AY150GY-8	Front fork sub-assy (L)	1

BATERIA, SISTEMA ELECTRICO, CDI, REGULADOR, BOBINA DE ALTA



No	REFERENCIA	DESCRIPCION	DESCRIPTION	CANTIDAD
FIG.10-1	99103-06168	TORNILLO 6X16MM	Bolt M6x16	7
FIG.10-2	71540-451	CAJA BATERIA AY150GY-8	BATTERY BOX	1
FIG.10-3	51800-451	AUTOMATICO O RELAY DE ARRANQUE AY150GY-8	Starting relay	1
FIG.10-4	53410-451	BOBINA DE ALTA O ENCENDIDO AY150GY-8	COIL COMP	1
FIG.10-5	58610-451	FLASHER DIRECCIONALES AY150GY-8	RELAY COMP WINKER	1
FIG.10-6	99103-06128	TORNILLO 6X12MM	Bolt M6x12	1
FIG.10-7	58500-451	PITO COMPLETO AY150GY-8	HORN	1
FIG.10-8	56610-451	RAMAL ELECTRICO AY150GY-8	HARNESS	1
FIG.10-9	52800-451	REGULADOR RECTIFICADOR AY150GY-8	RECTIFIER	1
FIG.10-10	52900-451	C.D.I AY150GY-8	C D I COMP	1
FIG.10-11	53651-451	CORREA BATERIA	BELT. BATTERY	1
FIG.10-12	53610-451	BATERIA 12V6.5L-BS	BATTERY	1

CHASIS, DESCANSAPIES



No	REFERENCIA	DESCRIPCION	DESCRIPTION	CANTIDAD
FIG.11-1	71100-451	CHASIS AY150GY-8	FRAME BODY SET	1
FIG.11-2	99103-08168	TORNILLO 8X16MM	BOLT M8x16	2
FIG.11-3		PLATINA CENTRAL SOPORTE MOTOR IZQ AY150GY-8	REAR PANEL	2
FIG.11-4	98316-08000	TUERCA 8MM	Nut M8	6
FIG.11-5	98316-01000	TUERCA 10MM	Nut M10	4
FIG.11-6	71990-451	SOPORTE SUPERIOR MOTOR RH	UPPER PANEL, R	1
FIG.11-7	71991-451	SOPORTE SUPERIOR MOTOR LH	UPPER PANEL, L	1
FIG.11-8	99103-10608	TORNILLO 10X60MM	BOLT M10x1.25x60	2
FIG.11-9	99103-08258	TORNILLO 8X25MM	BOLT M8x25	4
FIG.11-10	73700-451	DESCANSAPIE TRASERO COMP. RH AY150GY-8	REAR FOOTREST ASSY	1
FIG.11-11	34772-451	CAUCHO EXOSTO	RUBBER	1
FIG.11-12	76310-451	PARRILLA TRASERA AY150GY-8	SHELF	1
FIG.11-13	99103-08658	TORNILLO 8X65MM	BOLT M8x65	1
FIG.11-14	99103-06308	TORNILLO 6X30MM	BOLT M6x30	2
FIG.11-15	99103-10508	TORNILLO 10X50MM	BOLT M10x1.25x50	2
FIG.11-16	73550-451	DESCANSAPIE DEL. RH COMP AY150GY-8	FOOTREST ASSY, RH	1
FIG.11-17	99103-06208	TORNILLO 6X20MM	SCREW M6x20	2
FIG.11-18	73600-451	DESCANSAPIE TRASERO COMP LH AY150GY-8	FOOTREST ASSY, LR	1
FIG.11-19	74140-451	PLATINA SOPORTE CUBIERTAS TANQUE AY150GY-8	BRACKET	1
FIG.11-20	91992-451	SOPORTE MOTOR INFERIOR DER AY150GY-8	FRONT PANEL, R	1

ASIS, DESCANSAPIES



www.seacubemoto.com

No	REFERENCIA	DESCRIPCION	DESCRIPTION	CANTIDAD
FIG.11.21	91993-451	SOPORTE MOTOR INFERIOR LH AY150GY-8	FRONT PANEL, L	1
FIG.11.22	99103-08758	TORNILLO 8X75MM	BOLT M8x75	2
FIG.11.23	99103-08908	TORNILLO 8X90MM	BOLT M8x90	2
FIG.11.24	73560-451	DESCANSAPIE DEL.LH COMPLETO AY150GY-8	FOOTREST ASSY, LH	1
FIG.11.25	99103-10110	TORNILLO 10X110MM	BOLT M10x1.25x110	2

MORTIGUADOR, TIJERA, PEDAL DE CAMBIOS, ARRANQUE, FRENO, SOPORTE LATERAL



www.seacubemoto.com

No	REFERENCIA	DESCRIPCION	DESCRIPTION	CANTIDAD
FIG.12-1	73110-451	PEDAL DE FRENO TRASERO AY150GY-8	RR.BRAKE ROD	1
FIG.12-2	57740-451	TROMPO STOP AY150GY-8	RR,STOP TIGHT SWITCH	1
FIG.12-3	99200-06200	PIN 6X20MM	PIN	1
FIG.12-4	46300-451	PEDAL DE ARRANQUE AY150GY-8	START STAFF	1
FIG.12-5	73300-451	VARILLA FRENO TRASERO AY150GY-8	RR.BRAKE ROD	1
FIG.12-6	99103-10708	TORNILLO 10X70MM	Bolt M10x1.25x70	1
FIG.12-7	82100-451	AMORTIGUADOR TRASERO AY150GY-8	REAR ABSORBER	2
FIG.12-8	99443-50070	RESORTE	SPRING	1
FIG.12-9	94111-03250	PIN 3X25	Split pinφ3×25	1
FIG.12-10	94111-02200	PIN 2X20	Split pinφ2×20	1
FIG.12-11	98316-12000	TUERCA 12MM	NUT M12x1.5	1
FIG.12-12	81262-451	GUARDAPOLVO METALICO TIJERA AY150GY-8	DUST COVER	1
FIG.12-13	81211-451	EJE TIJERA AY150GY-8	AXLE REAR	1
FIG.12-14	99443-11417	RESORTE SOPORTE LATERAL	SPRING	1
FIG.12-15	45600-451	PEDAL DE CAMBIOS AY150GY-8	GEARSHIFT PEDAL	1
FIG.12-16	81100-451	TIJERA AY150GY-8	REAR FORK JOINTING ASSY	1
FIG.12-17	81341-451	GUIA CADENA ARRASTRE AY150GY-8	CHAIN GUARD	1
FIG.12-18	99103-06168	TORNILLO 6X16MM	BOLT M6x16	2
FIG.12-19	99160-06000	ARANDELA 6 MM	Washer 6	5
FIG.12-20	72310-451	SOPORTE LATERAL AY150GY-8	SIDE STAND	1

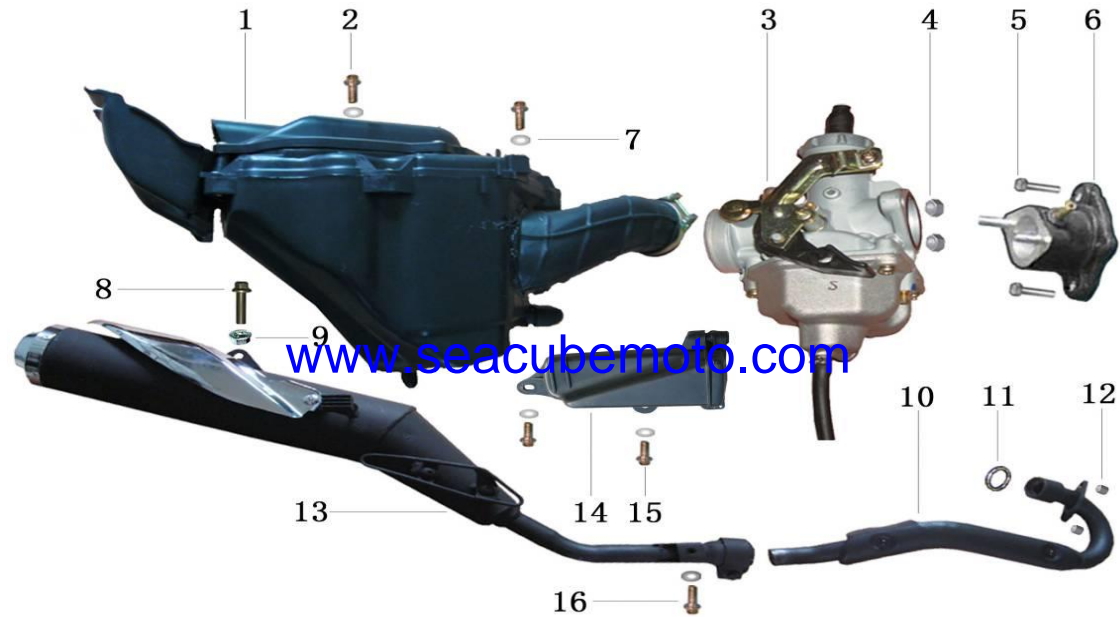
MORTIGUADOR, TIJERA, PEDAL DE CAMBIOS, ARRANQUE, FRENO, SOPORTE LATERAL



www.seacubemoto.com

No	REFERENCIA	DESCRIPCION	DESCRIPTION	CANTIDAD
FIG.12-21	81273-451	CAUCHO DESLIZADOR CADENA AY150GY-8	Protect clip, chain bar	1
FIG.12-22	99103-06128	TORNILLO 6X12MM	BOLT M6x12	3
FIG.12-23	47600-451	CADENA 428HX132L AY150GY-8	CHAIN BAR	1
FIG.12-24	81310-451	GUARDACADENA AY150GY-8	UPPER CHAIN CASE	1

ARBURADOR, FILTRO DE AIRE, EXOSTO



www.seacubemoto.com

No	REFERENCIA	DESCRIPCION	DESCRIPTION	CANTIDAD
FIG.13-1	33700-451	FILTRO DE AIRE COMPLETO AY150GY-8	AIR CLEANER ASSY	1
FIG.13-2	99103-06208	TORNILLO 6X20MM	Bolt M6x20	2
FIG.13-3	33200-451	CARBURADOR COMPLETO AY150GY-8	CARBURETOR ASSY	1
FIG.13-4	98316-06000	TUERCA 6MM	Nut M6	2
FIG.13-5	91107-06258	TORNILLO 6X25MM	Bolt M6x25	2
FIG.13-6	33110-451	CONECTOR CARBURADOR AY150GY-8	Enter windpipe assy	1
FIG.13-7	99160-06000	ARANDELA 6MM	Washer 6	4
FIG.13-8	99103-10508	TORNILLO 10X50MM	Bolt M10x1.25x50	1
FIG.13-9	98316-01000	TUERCA 10MM	NUT M10x1.25	1
FIG.13-10	34150-451	CURVA EXOSTO AY150GY-8	EXHAUST PIPE,MUFFLER	1
FIG.13-11	34181-451	EMPAQUE EXOSTO AY150GY-8	SEAL	1
FIG.13-12	98310-06000	TUERCA 6MM	Nut 6	2
FIG.13-13	34301-451	EXOSTO AY150GY-8	Exhaust muffler	1
FIG.13-14	77430-451	CAJA PORTAHERRAMIENTA AY150GY-8	Tools box	1
FIG.13-15	99103-06168	TORNILLO 6X16MM	Bolt M6x16	2
FIG.13-16	99103-08208	TORNILLO 6X20MM	Bolt M8x20	1
FIG.13-17	33781-451	ELEMENTO FILTRO DE AIRE AY150GY-8	ELEMENT, AIR CLEANER	1

LLANTAS ,RINES.SPROCKET



www.seacubemoto.com

No	REFERENCIA	DESCRIPCION	DESCRIPTION	CANTIDAD
FIG.14-1	98314-12125	TUERCA 12X1.25 MM	NUT M12x1.25	1
FIG.14-2	64600-451	CAJA PIÑON VELOCIMETRO AY150GY-8	SPEED COUNTER	1
FIG.14-3	65100-27521	LLANTA DEL.275X21	TYRE, FR, WHEEL	1
FIG.14-4	65200-27521	NEUMATICO 275X21 AY150GY-8	TUBE. FR. TYRE	1
FIG.14-5	65311-16021	RIN DELANTERO 1.60X21 AY150GY-8	FRONT WHEEL RIM ASSY	1
FIG.14-6	69211-451	DISCO FRENO DEL AY150GY-8	Front brake disc	1
FIG.14-7		TORNILLO 8X20MM	Bolt 8X20MM	4
FIG.14-8	64741-451	BUJE RUEDA DEL	COLLAR,FR.WHEEL AXLE	1
FIG.14-9	64711-451	EJE RUEDA DEL AY150GY-8	FR. WHEEL AXLE	1
FIG.14-10	98316-12125	TUERCA 12X1.25MM	NUT M12x1.5	1
FIG.14-11	81411-451	TENSOR CADENA IZQ LH AY150GY-8	CHAIN ADJUSTOR, L	1
FIG.14-12	84741-451	BUJE LH RUEDA TRASERA	L. COLLAR, RR WHEEL SHAFT	1
FIG.14-13	84210-451	PORTABANDAS TRASERO AY150GY-8	REAR ARRESTER ASSY	1
FIG.14-14	84410-451	JUEGO BANDAS FRENO TRASERO AY150GY-8	REAR ARRESTER PIECE	1
FIG.14-15	85100-41018	LLANTA TRASERA 4.10X18 AY150GY-8	RR OUTER TYRE	1
FIG.14-16	85200-410X18	NEUMATICO 4.10X18 AY150GY-8	RR INNER TUBE	1
FIG.14-17	85311-21518	RIN TRASERO 2.15X18 AY150GY-8	RR WHEEL HUB	1
FIG.14-18	84651-451	CAUCHO PORTASPROCKET AY150GY-8	CUSHION RUBBER, REAR WHEEL	1
FIG.14-19	84600-451	PORTASPROCKET COMPLETO AY150GY-8	RR SPROCKET	1
FIG.14-20	84721-451	BUJE RUEDA TRASERA RH	R, COLLAR, RR, WHEEL	1
FIG.14-21	81411-451	TENSOR CADENA IZQ LH AY150GY-8	CHAIN ADJUSTOR, L	1
FIG.14-22	84711-451	EJE RUEDA TRASERA AY150GY-8	RR, WHEEL AXLE	1

LANTAS,RINES, SPROCKET



No	REFERENCIA	DESCRIPCION	DESCRIPTION	CANTIDAD
FIG.14-23	64111-451	MANZANA O CAMPANA DELANTERA AY150GY-8	HUB,FR.WHEEL	1
FIG.14-24	65320-451	JUEGO RADIOS DELANTEROS AY150GY-8	OUTER SPOKE	1
FIG.14-25	84110-451	MANZANA O CAMPANA TRASERA AY150GY-8	HUB,RR.WHEEL	1
FIG.14-26	47700-451.050	SPROCKET NT 50 AY150GY-8	SPROCKET,FINAL DRIVEN 428H50	1
FIG.14-27	85320-451	JUEGO RADIOS TRASEROS AY150GY-8	INNER SPOKE,RR.WHEEL SET	1

HERRAMIENTAS



www.seacubemoto.com

No	REFERENCIA	DESCRIPCION	DESCRIPTION	CANTIDAD
FIG.15-1	99800-451	JUEGO HERRAMIENTA AY150GY-8	Bag tools	1
			Sleeve, spank plug	1
			Carp grip135	1
			Spanner12x14	1
			Spanner8x10	1
			Driver, screw	1

www.seacubemoto.com

