

AYCO

CATALOGO DE PARTES

www.seacubemoto.com

**AY150-8D
MAX**

2013

AY150-8D



FIG.1 CULATA CILINDRO EMPAQUES

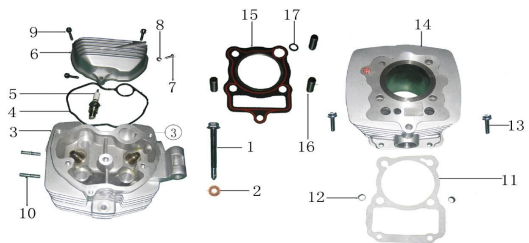


FIG.2 ARBOL DE LEVAS ,SOPORTE BALANCINES, VALVULAS



FIG.3 TAPA EMBRAGUE,TAPA VOLANTE EMPAQUE

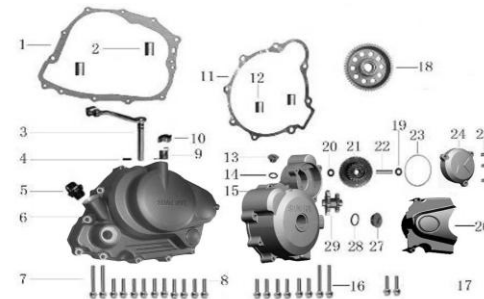
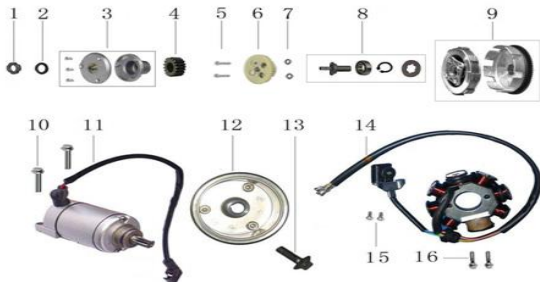


FIG.4 EMBRAGUE ,BOMBA LUBRICACION, VOLANTE,STATOR



www.seacubemoto.com

FIG.5 KIT PISTON,CIGUENAL.

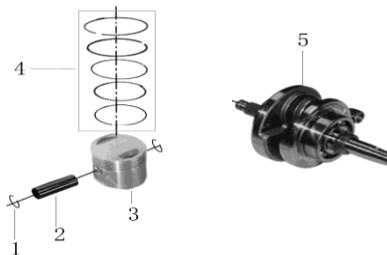


FIG.6 EJE DE CAMBIOS,EJE PRIMARIO,SECUNDARIO

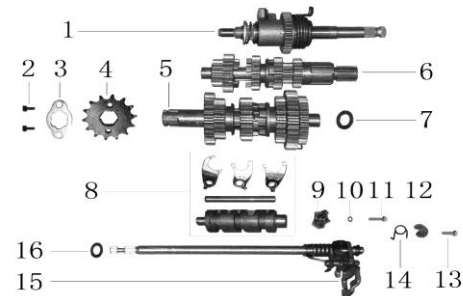


FIG.7 CARCAZAS MOTOR

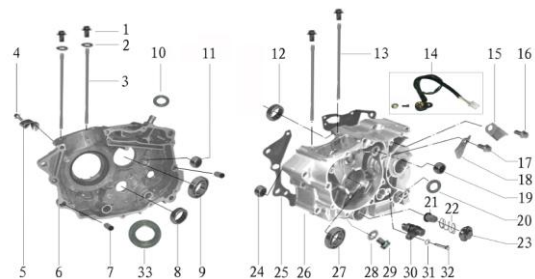


FIG.8 CARBURADOR,FILTRO DE AIRE,EXOSTO

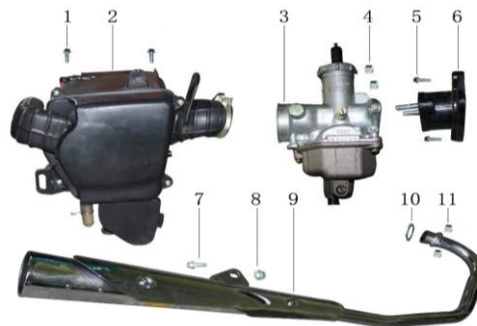
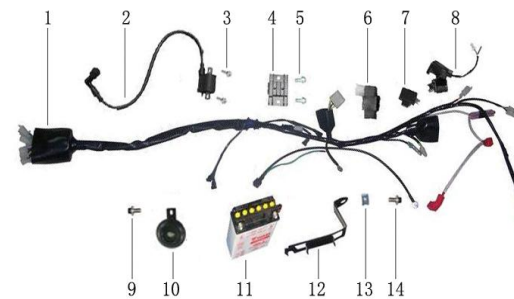
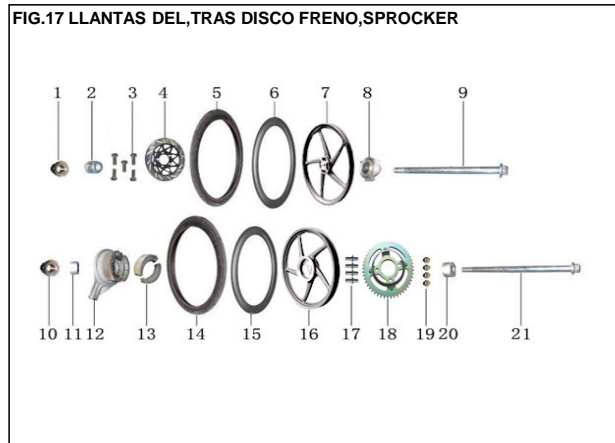
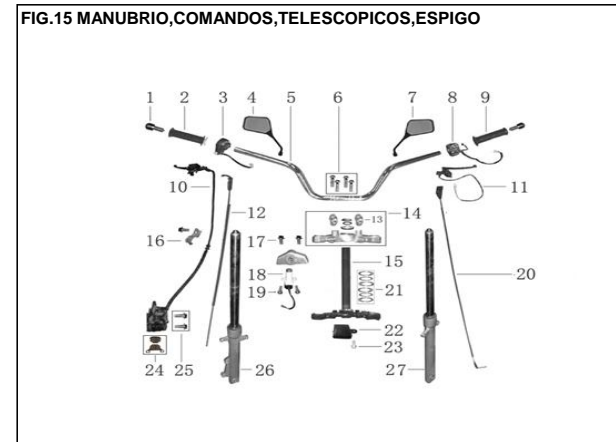
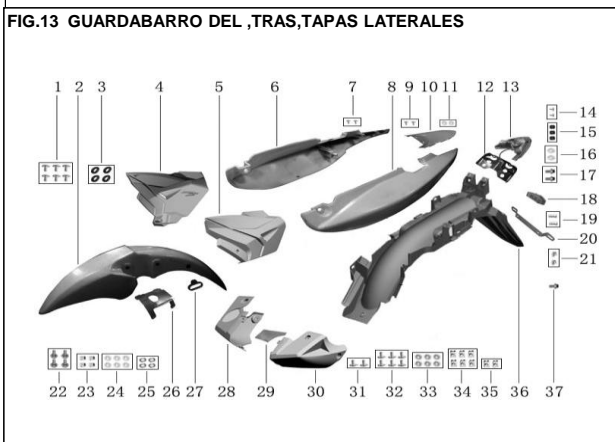
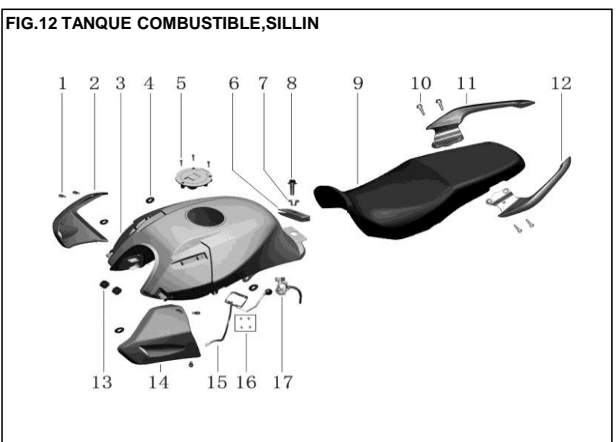
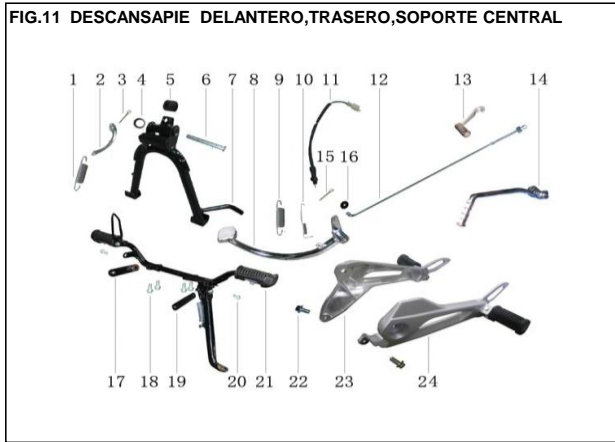
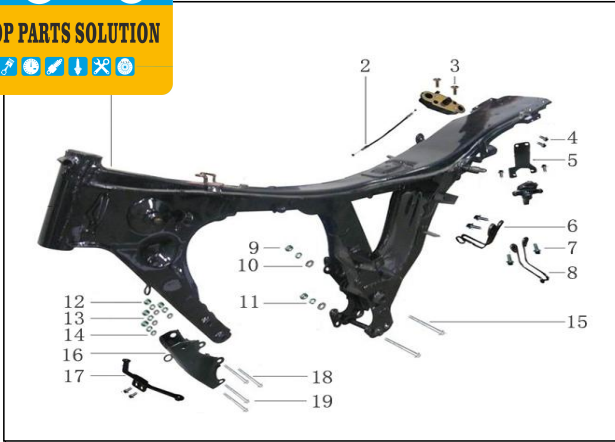


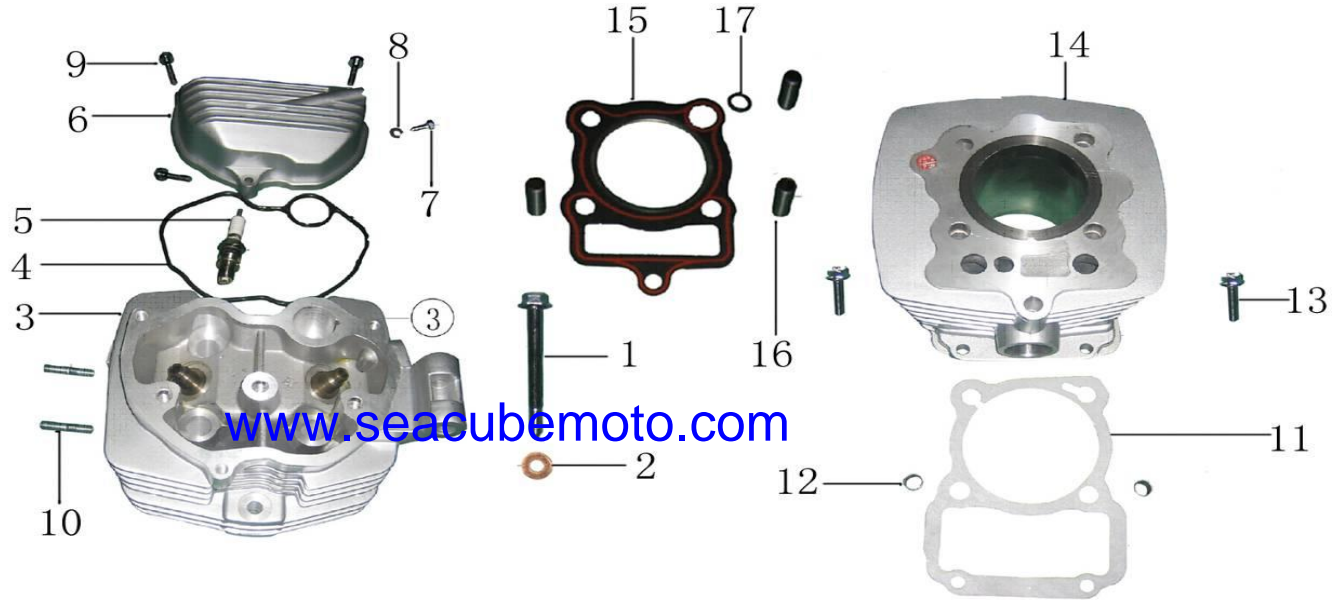
FIG.9 SISTEMA ELECTRICO





www.seacubemoto.com

CULATA,CULATA,CILINDRO,EMPAQUES



www.seacubemoto.com

No	REFERENCIA	DESCRIPCION	DESCRIPTION	CANTIDAD
FIG.1-1	99103-08827	TORNILLO 8X82MM	Bolt M8x82	1
FIG.1-2	99160-85221	ARANDELA 8.5X2.2X12	Washer 8.5x2.2x12	1
FIG.1-3	31111-152	CULATA	Cylinder Head Comp	1
FIG.1-4	31141-152	EMPAQUE CULATA	Gasket, Cylinder Head Cover	1
FIG.1-5	99482-D8EA	BUJIA D8EA	Spark Plug D8EA	1
FIG.1-6	31175-152	TAPA CULATA	Cover , Cylinder Head	1
FIG.1-7	91107-06128	TORNILLO 6X12MM	Bolt M6x12	1
FIG.1-8	99160-65132	ARANDELA 6.5X13X2	Washer 6.5x13x2	1
FIG.1-9	99103-06288	TORNILLO 6X28MM	Bolt M6x28	3
FIG.1-10	91421-06228	ESPARRAGO 6X22MM	Bolt M6x22	4
FIG.1-11	31241-152	EMPAQUE CILINDRO	Gasket, Cylin Block	1
FIG.1-12	94211-01014	GUIA CILINDRO	Dowel pinφ10x14	2
FIG.1-13	99103-06288	TORNILLO 6X28MM	Bolt M6x28	2
FIG.1-14	31210-152	CILINDRO	Cylinder Block Assy	1
FIG.1-15	31241-152	EMPAQUE CILINDRO	Gasket, Cylinder Head Cover	1
FIG.1-16	94211-08140	GUIA CULATA	Dowel pinφ8x14	3
FIG.1-17	99180-10150	ANILLO DE CAUCHO 10X15MM	O-ringφ10x1.5	1

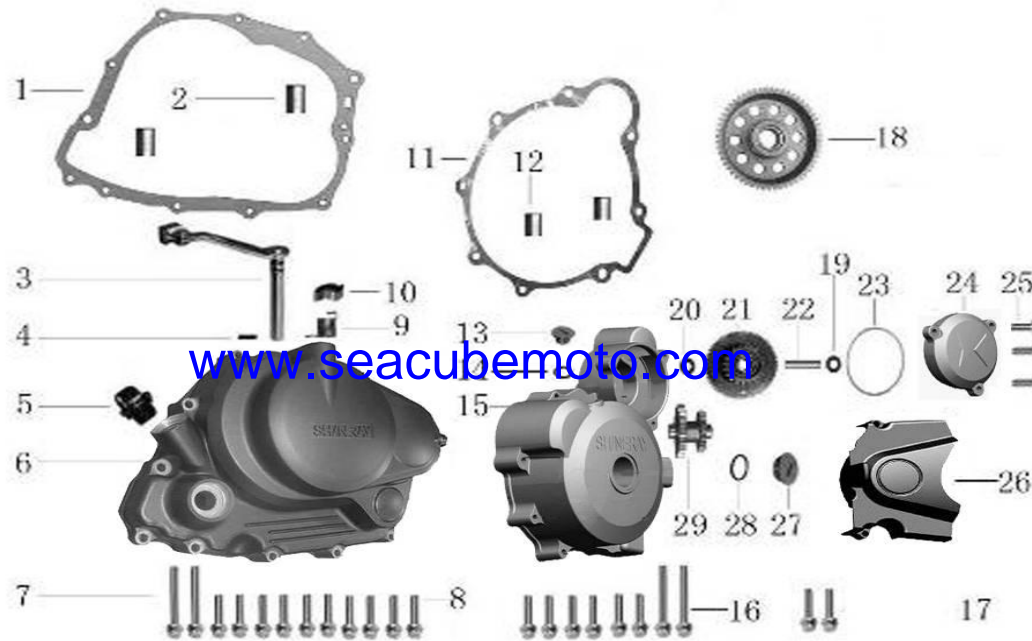
OL DE LEVAS, SOPORTE BALANCINES, VALVULAS, VARILLAS IMPULSORAS



No	REFERENCIA	DESCRIPCION	DESCRIPTION	CANTIDAD
FIG.2-1	32911-152	VALVULA DE ADMISION	Valve, intake	1
FIG.2-2	32912-152	VALVULA DE ESCAPE	Valve , exhaust	1
FIG.2-3	32933-152	ASIENTO RESORTE VALVULAS EXT	Valve outer spring seat	2
FIG.2-4	32934-152	ASIENTO RESORTE VALVULAS INT	Valve inner spring seat	2
FIG.2-5	32921-152	RESORTE VALVULA INTERNO	Spring, vavle outer	2
FIG.2-6	32920-152	RESORTE VALVULA EXTERNO	Spring, vavle inner	2
FIG.2-7	99289-14000	SELLO ACEITE VALVULAS	Cap, control oil	2
FIG.2-8	32932-152	CUÑA VALVULAS	Valve lock nip	4
FIG.2-9	32931-152	ASIENTO VALVULA SUPERIOR	Valve spring seat	2
FIG.2-10	32839-152	SOPORTE BALANCINES	Rocker Arm Assy.	1
FIG.2-11	99160-08182	ARANDELA 8X18X2	Washerφ8×φ18×2	3
FIG.2-12	99103-08287	TORNILLO 8X28	Bolt M8x28	3
FIG.2-13	99440-10131	RESORTE 10X13.5X10.4	spring	1
FIG.2-14	32910-152	VARILLAS IMPULSORAS	Pushrod assy	2
FIG.2-15	99161-12220	ARANDELA ESPECIAL 12.3X0.2X20.9	Washer12.3x0.2x20.9	1
FIG.2-16	32850-152	BALANCO INFERIOR	Lower Rocker Arm	2
FIG.2-17	99180-18250	ANILLO DE CAUCHO 18X2.5MM	O-ringφ18×2.5	1
FIG.2-18	32841-152	EJE BALANCIN INFERIOR	Lower rocker arm shaft	1
FIG.2-19	32711-152	ARBOL DE LEVAS	Timing driven gear assy	1
FIG.2-20	99160-14241	ARANDELA 14X24X1	washerφ14×φ24×1	1
FIG.2-21	32713-152	EJE ARBOL DE LEVAS	Matching air camshaft	1
FIG.2-22	99180-20250	ANILLO DE CAUCHO 20X2.5	O-ringφ20×2.5	1
FIG.2-23				
FIG.2-24				

EMBRAGUE, TAPA VOLANTE, TAPA PIÑON DE SALIDA, EMPAQUES

AY150-8D



No	REFERENCIA	DESCRIPCION	DESCRIPTION	CANTIDAD
FIG.3-1	31482-152	EMPAQUE TAPA EMBRAGUE	Gasket, Crankcase Cover, RH	1
FIG.3-2	94211-08140	GUIA TAPA EMBRAGUE	Dowel pin $\phi 8 \times 14$	2
FIG.3-3	43221-152	LEVA EMBRAGUE	Clutch joy stick assy	1
FIG.3-4	99261-02160	PIN LEVA EMBRAGUE	Pin	1
FIG.3-5	31971-152	INDICADOR NIVEL DE ACEITE	Dipstick	1
FIG.3-6	31341-152	TAPA EMBRAGUE	R-crankcase cover assy	1
FIG.3-7	99103-06508	TORNILLO 6X50MM	Bolt M6x50	2
FIG.3-8	99103-06408	TORNILLO 6X40MM	Bolt M6x40	17
FIG.3-9	99440-12151	RESORTE LEVA EMBRAGUE	Spring, clutch joy stick	1
FIG.3-10	43001-152	SEPARADOR EJE LEVA EMBRAGUE	Clutch apart cam	1
FIG.3-11	31483-152	EMPAQUE TAPA VOLANTE	L-crankcase cover gasket	1
FIG.3-12	94211-01014	GUIA TAPA VOLANTE	Dowel pin $\phi 10 \times 14$	2
FIG.3-13	31352-152	TAPON TIEMPO	Inspection hole screw	1
FIG.3-14	99180-13825	ANILLO DE CAUCHO	O-ring $\phi 13.8 \times 2.5$	1
FIG.3-15	31351-152	TAPA VOLANTE	L-crankcase assy	1
FIG.3-16	99103-06558	TORNILLO 6X55MM	Bolt M6x55	2
FIG.3-17	99103-06258	TORNILLO 6X25MM	Bolt M6x25	2
FIG.3-18	32620-152	PIÑON ARRANQUE	Gear assy, start clutch	1
FIG.3-19	99160-10051	ARANDELA 10.5X0.5X18	Washer 10.5x0.5x18	2
FIG.3-20	99262-10100	RODAMIENTO DE AGUJAS 1010	Roller Bearing	1
FIG.3-21	51370-152	BENDIX 1	Dual-gear assy	1
FIG.3-22	51104-152	PASADOR BENDIX 1	Axle, dual-gear	1
FIG.3-23	99180-63250	ANILLO DE CAUCHO 63X2.5	O-ring	1
FIG.3-24	31384-152	TAPA PIÑON REDUCTOR	Pass wheel cover	1

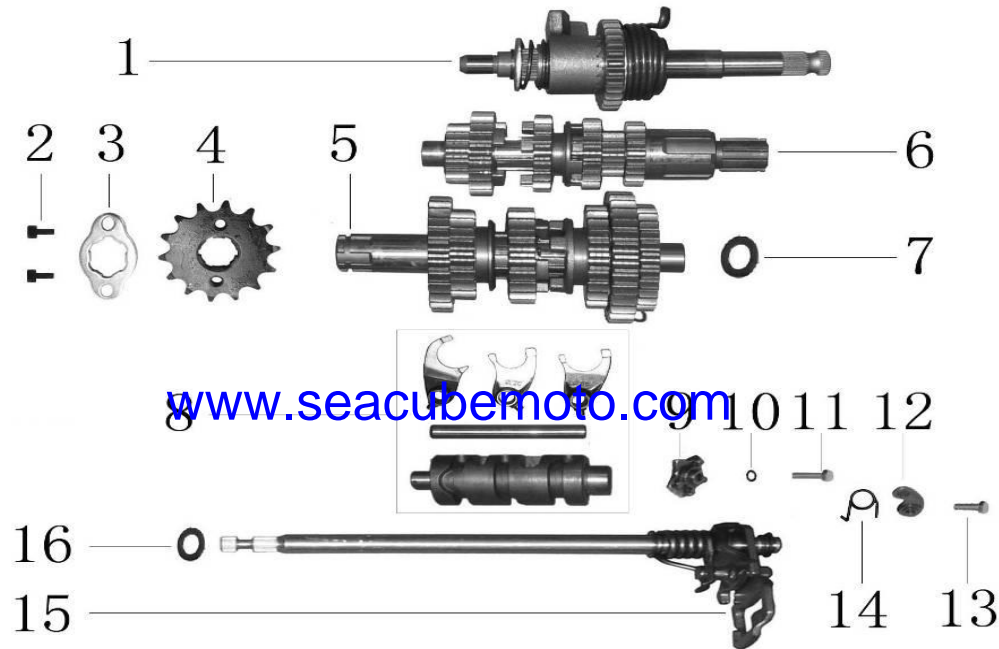
EMBRAGUE, BOMBA LUBRICACION, VOLANTE, STATOR



www.seacubemoto.com

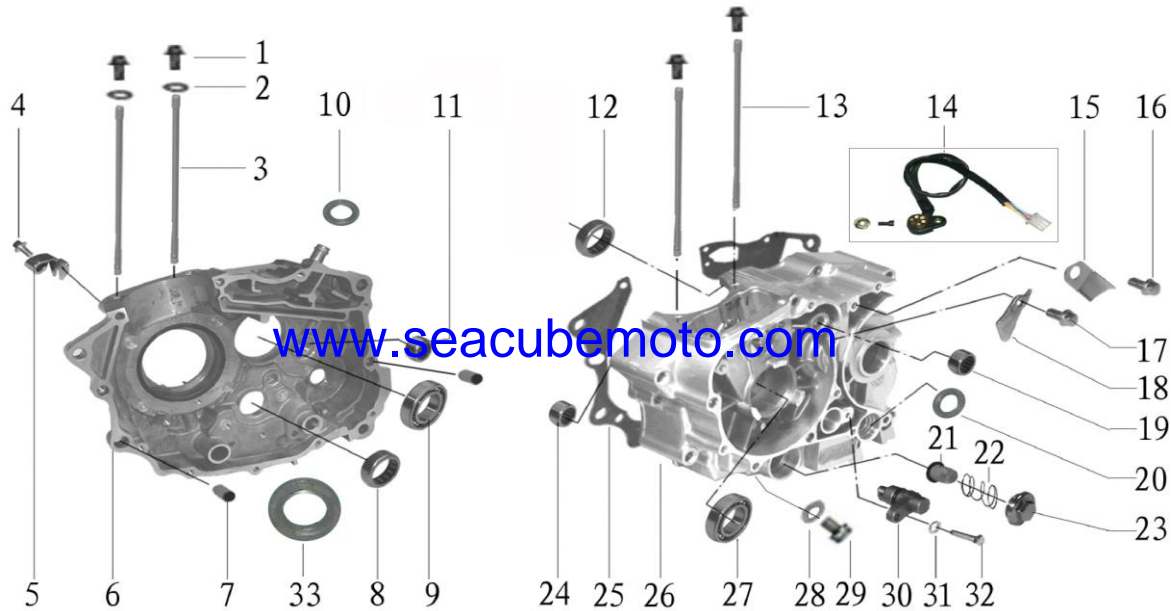
No	REFERENCIA	DESCRIPCION	DESCRIPTION	CANTIDAD
FIG.4-1		TUERCA	Fixing nut	1
FIG.4-2	99160-05000	ARNDELA	Washer	1
FIG.4-3	36510-152	FILTRO DE ACEITE CENTRIFUGO COMP	Rotor assy, oil filter	1
FIG.4-4	41111-152-	PIÑON PRIMARIO NT AY150-8	Primary initiative gear	1
FIG.4-5	92112-0630MM	TORNILLO 6X30MM	Screw M6×30	2
FIG.4-6	36100-152	BOMBA DE LUBRICACION AY150-8	Oil pump	1
FIG.4-7	99180-04240	ANILLO DE CAUCHO 4X2.4	O-Ringφ9.4×2.4	2
FIG.4-8	43121-152	SEPARADOR VARILLA EMBRAGUE AY150-8	Clutch attachments	1
FIG.4-9	41500-152	CONJUNTO EMBRAGUE AY150-8	Clutch assy	1
FIG.4-10	99103-06288	TORNILLO 6X28MM	Bolt M6×28	2
FIG.4-11	51100-152	MOTOR DE ARRANQUE AY150-8	Starting motor	1
FIG.4-12	52102-152	VOLANTE AY150-8	Rotor assy, magneto	1
FIG.4-13	97130-	TORNILLO ESPECIAL	Lock bolt, magneto	1
FIG.4-14	52101-152	STATOR AY150-8	Stator assy, magneto	1
FIG.4-15	92122-05168	TORNILLO 5X16MM	Bolt M5×16	2
FIG.4-16	92122-05258	TORNILLO 5X25MM	Bolt M5×25	2
FIG.4-17	43121-152	SEPARADOR VARILLA EMBRAGUE	Clutch mandril	1
FIG.4-18	41441-152	DISCO EMBRAGUE ADBESTO AY150-8	PLATE,CLUTCH	6
FIG.4-19	41451-152	DISCO EMBRAGUE METALICO AY150-8	DISK,CLUTCH FRICTION	5
FIG.4-20	41410-152	MANGUITO EMBRAGUE O CENTRADOR AY150-8	CENTER COMP,CLUTCH	1
FIG.4-21	41103-152	PLATO PRESION EMBRAGUE AY150-8	PLATE,CLUTCH PRESSURE	1
FIG.4-22	41142-152	PLATO MOVIL EMBRAGUE AY150-8	PLATE,CLUTCH LIFTER	1
FIG.4-23	41141-152	RESORTE EMBRAGUE AY150-8	SPRING,CLUTCH	

CAMBIOS,EJE PRIMARIO,SECUNDARIO,ARRANQUE,SELECTOR DE CAMBIOS



No	REFERENCIA	DESCRIPCION	DESCRIPTION	CANTIDAD
FIG.6-1	46210-152	EJE ARRANQUE COMPLETO AY150-8	Assy, start axes	1
FIG.6-2	91107-06108	TORNILLO 6X10MM	Bolt M6×10	2
FIG.6-3	47512-152	ARANDELA PIÑON DE SALIDA AY150-8	Fixing plank, output chain wheel	1
FIG.6-4	47511-152	PIÑON DE SALIDA NT AY150-8	Output chain wheel	1
FIG.6-5	44130-152	EJE SECUNDARIO COMPLETO AY150-8	Countershaft assy	1
FIG.6-6	44120-152	EJE PRIMARIO COMPLETO AY150-8	Principal axis assy	1
FIG.6-7	99160-15213	ARANDELA PLANA 15.2X1X30	Washer15.2×1×30	1
FIG.6-8	45300-152	SELECTOR DE CAMBIOS COMPLETO AY150-8	Gearshift drum assy	1
FIG.6-9	45381-152	ESTRELLA SELECTORA DE CAMBIOS	Wheel, gearshift	1
FIG.6-10	99160-06000	ARANDELA 6MM	Washerφ6	1
FIG.6-11	99103-06258MM	TORNILLO 6X25MM	Bolt M6×25	1
FIG.6-12	45350-152	LEVA SELECTORA DE CAMBIOS AY150-8	Limit Block	1
FIG.6-13	99103-06228	TORNILLO 6X22MM	Bolt M6×22	1
FIG.6-14	45301-152	RESORTE LEVA SELECTORA	Spring	1
FIG.6-15	45510-152	EJE DE CAMBIOS COMPLETO AY150-8	Shaft, gearshift	1
FIG.6-16	99160-15201	ARANDELA	Washer	1
FIG.6-17	44121-152	EJE PRIMARIO	MAINSHAFT	1
FIG.6-18	44221-152	PIÑON 2 EJE PRIMARIO NT	GEAR, MAINSHAFT 2ND	1
FIG.6-19	44231-152	PIÑON 3 EJE PRIMARIO NT	GEAR, MAINSHAFT 3RD	1
FIG.6-20	44241-152-	PIÑON 4 EJE PRIMARIO NT	GEAR, MAINSHAFT 4TH	1
FIG.6-21	44251-152-	PIÑON 5 EJE PRIMARIO NT	GEAR, MAINSHAFT 5TH	1
FIG.6-22	44360-152	PIÑON LOCO ARRANQUE NT	GEAR, KICK START DRIVEN	1
FIG.6-23	44310-152-	PIÑON 1 EJE SECUNDARIO NT	GEAR,COUNTERSHAFT 1ST	1
FIG.6-24	44321-152-	PIÑON 2 EJE SECUNDARIO NT	GEAR,COUNTERSHAFT 2ND	1

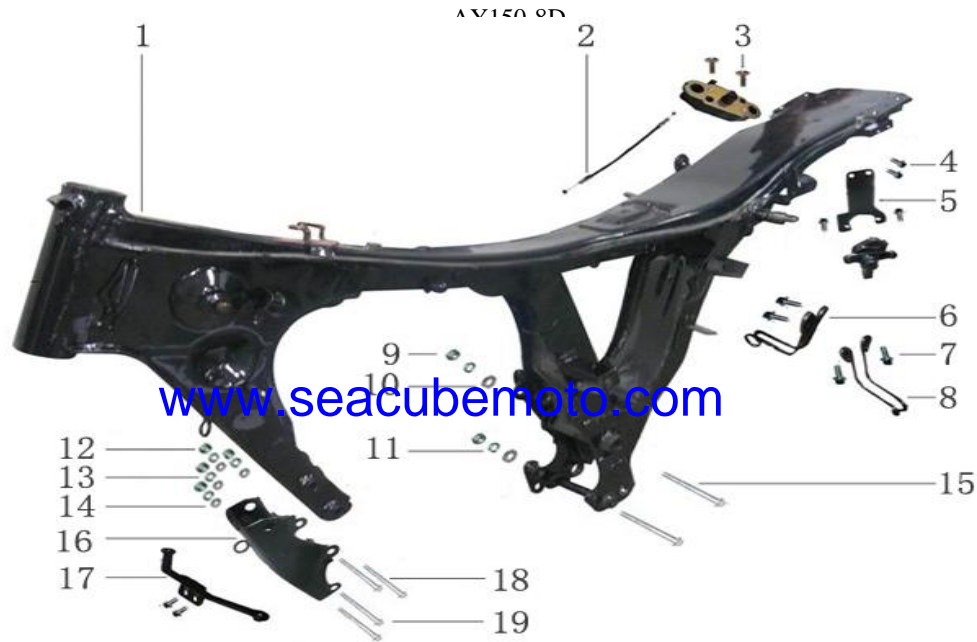
AY150-8D



MO	REFERENCIA	DESCRIPCION	DESCRIPTION	CANTIDAD
FIG.7-1	98317-08327	TUERCA 8X32MM ESPECIAL	Nut	4
FIG.7-2	99160-01200	ARANDELA 12	Washer12	4
FIG.7-3	99108-08144	ESPARRAGO CILINDRO 8X144MM	Cylinder bolt A M8x144	2
FIG.7-4	99103-05508	TORNILLO 6X50MM	Bolt M6x50	1
FIG.7-5	199402-15202	ABRAZADERA GUIA GUAYA EMBRAGUE	Adjust bracket, clutch cable	1
FIG.7-6	31301-152	CARCAZA MOTOR RH	R-crankcase assy	1
FIG.7-7	94211-01014	GUIA CARCAZAS 10X14	Dowel pin	2
FIG.7-8	99262-21281	RODAMIENTO DE AGUJAS HK212810	Needle Roller Bearings-HK212810	1
FIG.7-9	98123-60060	BALINERA 6006	Bearing 6006	1
FIG.7-10	99283-16287	SELLO ACEITE 16X28X7	Oil seal, start axes 16x28x7	1
FIG.7-11	99262-15231	RODAMIENTO DE AGUJAS NK152312	Needle Roller Bearings-NK152312	1
FIG.7-12	99283-14225	SELLO ACEITE 14X22X5	Oil seal, gearshift 14x22x5	1
FIG.7-13	99108-08138	ESPARRAGO CILINDRO 8X138	Cylinder bolt B M8x138	2
FIG.7-14	57720-152	INDICADOR DE CAMBIOS AY150-8	Gear redictor cable	1
FIG.7-15	31319-152	PLATINA CARCAZA	Nip, press line	1
FIG.7-16	99103-06128	TORNILLO 6X12MM	Bolt M6x12	1
FIG.7-17	99103-06128	TORNILLO 6X12MM	Bolt M6x12	1
FIG.7-18	31320-152	PLATINA PROTECTORA ARBOL DE LEVAS	Matching air camshaft protector	1
FIG.7-19	99262-10141	RODAMIENTO AGUJAS NK 101410	Needle Roller Bearings-HK101410	1
FIG.7-20	99283-14287	SELLO ACEITE 14X28X7	Oil seal, gearshift 14x28x7	1



No	REFERENCIA	DESCRIPCION	DESCRIPTION	CANTIDAD
FIG.9-1	56610-152	RAMAL ELECTRICO AY150-8	Assy, main cable	1
FIG.9-2	53410-152	BOBINA DE ALTA O ENCENDIDO AY150-8	Ignition loop	1
FIG.9-3	91107-05208	TORNILLO 5X20MM	Bolt M5x20	2
FIG.9-4	52800-152	REGULADOR RECTIFICADOR AY150-8	Adjuster, pressure	1
FIG.9-5	99103-0616MM	TORNILLO 6X16MM	Bolt M6x16	2
FIG.9-6	52900-152	C.D.I AY150-8	Control, ignition	1
FIG.9-7	58610-152	FLASHER DIRECCIONALES AY150-8	Flash relay	1
FIG.9-8	51800-152	AUTOMATICO DE ARRANQUE AY150-8	Relay, starting	1
FIG.9-9	99103-06168	TORNILLO 6X16MM	Bolt M6x16	2
FIG.9-10	58500-152	PITO AY150-8	Horn	1
FIG.9-11	53610-152	BATERIA 12V 7A	Battery	1
FIG.9-12	71542-152	PLATINA CAJA BATERIA AY150-8	Block, battery	1
FIG.9-13	99148-06000	TUERCA 6MM	Clip M6	1
FIG.9-14	99103-06128	TORNILLO 6X12MM	Bolt M6x12	1
FIG.9-15				
FIG.9-16				
FIG.9-17				
FIG.9-18				
FIG.9-19				
FIG.9-20				
FIG.9-21				
FIG.9-22				
FIG.9-23				
FIG.9-24				



No	REFERENCIA	DESCRIPCION	DESCRIPTION	CANTIDAD
FIG.10-1	71100-152	CHASIS AY150-8	Welded unit, frame	1
FIG.10-2	68600-152	GUAYA SIILIN AY150-8	Cable, seat lock	1
FIG.10-3	92112-06308	TORNILLO 6X30MM	Screw M6x30	2
FIG.10-4	91107-06128	TORNILLO 6X12MM	Bolt M6x12	4
FIG.10-5	75102-152	PLATINA SEGURO	Bracket ,lock armet	1
FIG.10-6	71300-152	ABRAZADERA DERECHA	Right pothook, armet	1
FIG.10-7	91107-06168	TORNILLO 6X16MM	Bolt M6x16	6
FIG.10-8	71400-152	ABRAZADERA IZQUIERDA	Left pothook, armet	1
FIG.10-9	98316-10125	TUERCA 10X1.25	Nut M10x1.25	4
FIG.10-10	99160-01000	ARANDELA 10MM	Washer10	4
FIG.10-11	98321-01000	GUAZA 10MM	Spring washer 10	4
FIG.10-12	98316-08000	TUERCA 8MM	Nut M8	2
FIG.10-13	98321-08000	GUAZA 8MM	Spring washer 8	2
FIG.10-14	99160-08000	ARANDELA 8MM	Washer8	2
FIG.10-15	99103-10115	TORNILLO 10X1,25X115	Bolt M10x1.25x115	2
FIG.10-16	71992-152	SOPORTE MOTOR AY150-8	Connect board, H	1
FIG.10-17	78145-152	SOPORTE CORTAVIENTOS MOTOR	Bracket, engine below fairing	1
FIG.10-18	99103-08908	TORNILLO 8X90MM	Bolt M8x90	2
FIG.10-19	99103-10658	TORNILLO 10X65MM	Bolt M10x65	2
FIG.10-20				

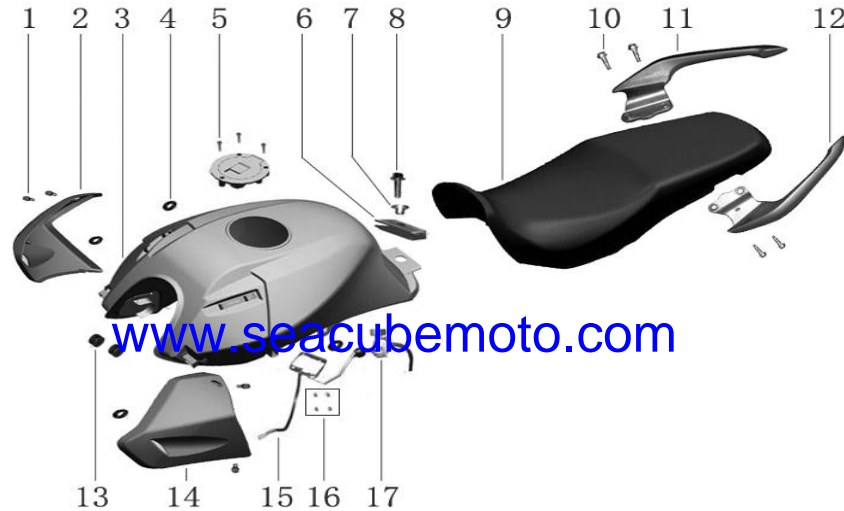
CANSAPIE DEALNTERO, TRASERO, SOPORTE CENTRAL



www.seacubemoto.com

No	REFERENCIA	DESCRIPCION	DESCRIPTION	CANTIDAD
FIG.11-1	99443-16931	RESORTE SOPORTE CENTRAL 16.1X9.3X1.9	Spring, main stand	1
FIG.11-2	72251-152	PLATINA RESORTE SOPORTE CENTRAL	Hang board, spring	1
FIG.11-3	94111-03300	PIN 3X30	Pin3×30	1
FIG.11-4	99160-25192	ARANDELA 1.9X2.5X0.2	Washer	1
FIG.11-5	99321-30100	CAUCHO SOPORTE CENTRAL	Pastern washer	1
FIG.11-6	72211-152	PASADOR SOPORTE CENTRAL	Main stand shaft	1
FIG.11-7	72100-152	SOPORTE CENTRAL AY150-8	Main stand	1
FIG.11-8	73110-152	PEDAL DE FRENO TRASERO AY150-8	Pedal, rear brake	1
FIG.11-9	99443-10631	RESORTE PEDAL FRENO 10.6X3.5X1.9	Return spring, rear brake pedal	1
FIG.11-10	99443-13087	RESORTE TROMPO STOP13.5X0.8X7.3	Spring, rear brake switch	1
FIG.11-11	57740-152	TROMPO STOP	Switch line, rear brake	1
FIG.11-12	73300-152	VARILLA FRENO TRASERO AY150-8	Rear brake staff assy	1
FIG.11-13	45600-152	PEDAL DE CAMBIOS AY150-8	Gearshift arm assy	1
FIG.11-14	46300-152	PEDAL DE ARRANQUE AY150-8	Starting rod assy	1
FIG.11-15	94111-01520	PIN 1.5X20	Pin1.5×20	1
FIG.11-16	99160-05000	ARANDELA 5MM	Washer5	1
FIG.11-17	72105-152	PLATINA SOPORTE CENTRAL IZQ	Plate under the left dome	1
FIG.11-18	91107-08208	TORNILLO 8X20MM	Bolt M8×20	4
FIG.11-19	72106-152	PLATINA SOPORTE CENTRAL DER	Plate under the right dome	1
FIG.11-20	99107-06168	TORNILLO 6X16MM	Bolt M6×16	2
FIG.11-21	73510-152	SOPORTE DESCANSAPIE DELANTERO AY150-8	Footrest assy, H	1
FIG.11-22	99103-08168	TORNILLO 8X16MM	Bolt M8×16	2
FIG.11-23	73660-152	DESCANSAPIE TRASERO IZQ COMPL AY150-8	Rear footrest assy	1
FIG.11-24	73760-152	DESCANSAPIE TRASERO DER COMPL AY150-8	Footrest assy, LR	1

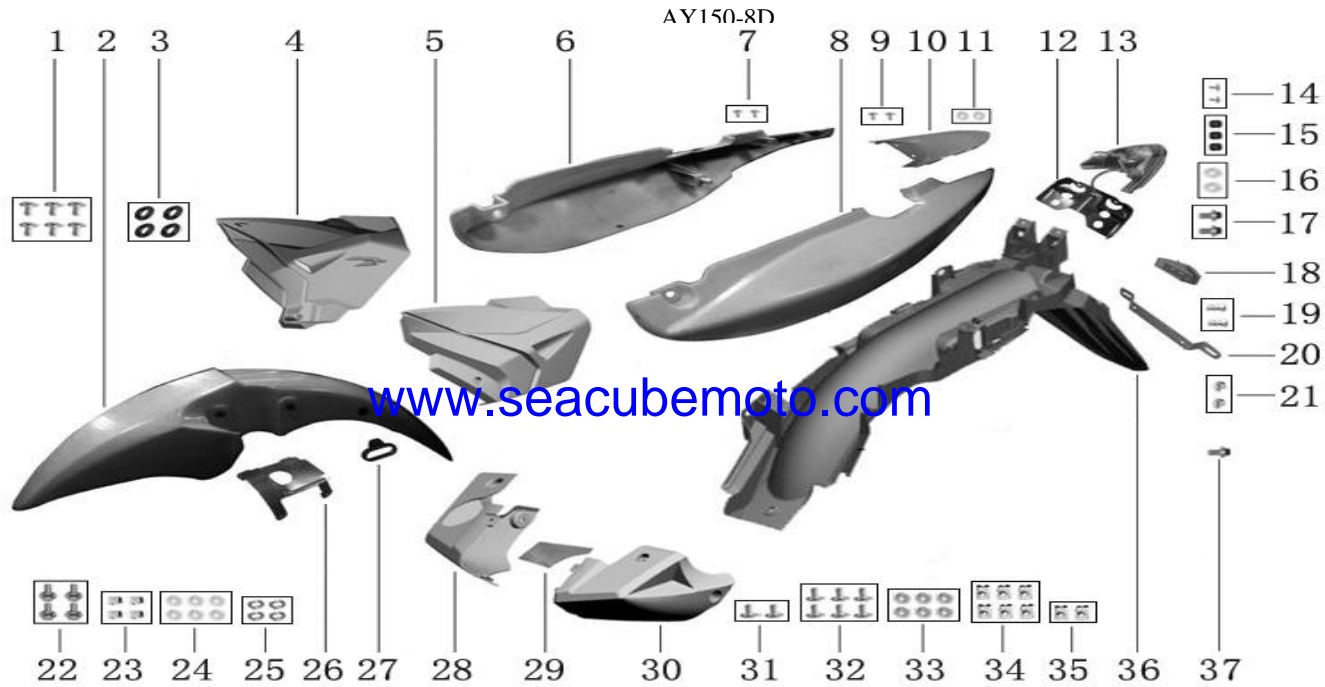
AY150-8D



www.seacubemoto.com

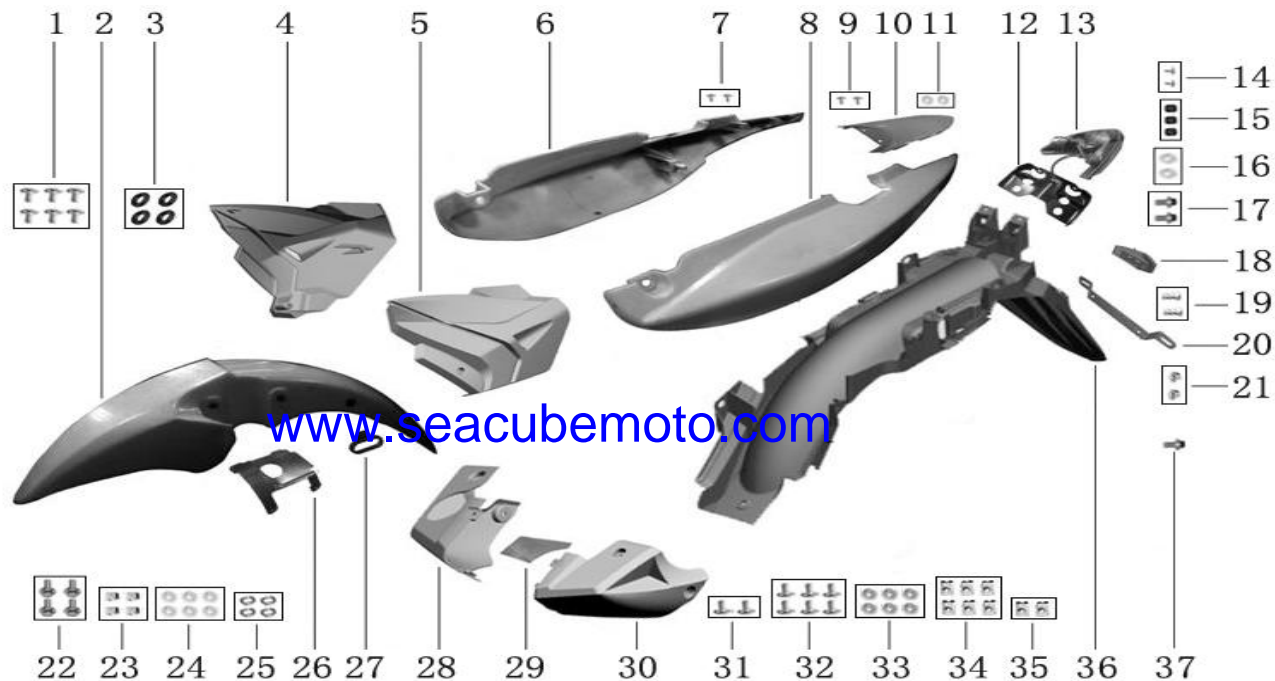
No	REFERENCIA	DESCRIPCION	DESCRIPTION	CANTIDAD
FIG.12-1	92112-06128	TORNILLO 6X12MM	Screw M6x12	4
FIG.12-2	77911-152-000	CUBIERTA TANQUE COMBUSTIBLE DERECHA	R-decorate cover, gasoline tank	1
FIG.12-3	74110-152-000	TANQUE DE COMBUSTIBLE AY150-8	Fuel tank	1
FIG.12-4	99320-15200	CAUCHO TAPA LATERAL	Rubber ring, side cover	4
FIG.12-5	92143-05208	TORNILLO 5X20MM	Screw M5x20	3
FIG.12-6	74542-152	CAUCHO TANQUE COMBUSTIBLE	Damper	1
FIG.12-7	99169-15200	BUJE ABRAZADERA TANQUE	R-install bush, gasoline tank	1
FIG.12-8	99103-08258	TORNILLO 8X25MM	Bolt M8x25	1
FIG.12-9	75100-152	SILLIN AY150-8	Seat comp	1
FIG.12-10	91107-01220	TORNILLO 10X20MM	Bolt M10x20	4
FIG.12-11	76410-152	APOYAMANOS TRASERO DERECHA	Right, rear armrest	1
FIG.12-12	76510-152	APOYAMANOS TRASERO IZQUIERDA	Left, rear armrest	1
FIG.12-13	74543-152	CAUCHOS TANQUE COMBUSTIBLE DEL	Damper fuel tank	2
FIG.12-14	77811-152-000	CUBIERTA TANQUE COMBUSTIBLE IZQUIERDA	L-decorate cover, gasoline tank	1
FIG.12-15	54810-152	SENSOR COMBUSTIBLE AY150-8	Fuel sensor	1
FIG.12-16	98310-06000	TUERCA 6MM	Nut M6	4
FIG.12-17	74300-152	LLAVE PASO COMBUSTIBLE	Fuel switch	1

RDABARROS DELANTERO, TRASERO, TAPAS LATERALES, STOP



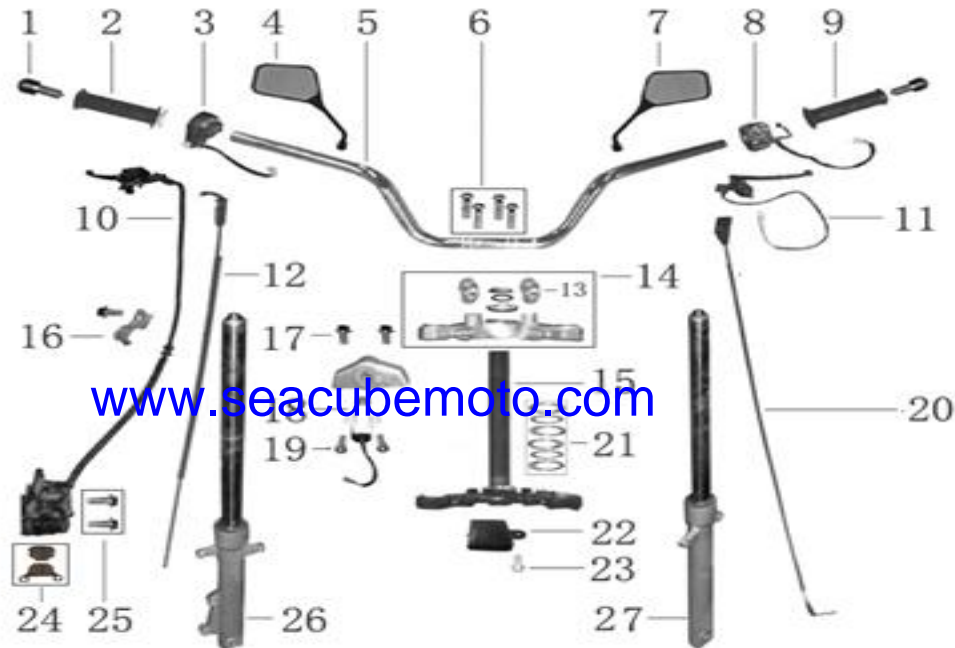
No	REFERENCIA	DESCRIPCION	DESCRIPTION	CANTIDAD
FIG.13-1	92142-06128	TORNILLO 6X12MM	Screw M6x12	6
FIG.13-2	63111-152-000	GUARDABARRO DELANTERO AY150-8	Front fender	1
FIG.13-3	99320-15200	CAUCHO TAPA LATERAL	Rubber ring, side cover	4
FIG.13-4	77611-152-000	TAPA LATERAL CENTRAL DERECHA AY150-8	Side cover unit, R	1
FIG.13-5	77711-152-000	TAPA LATERAL CENTRAL IZQUIERDA AY150-8	Side cover unit, L	1
FIG.13-6	77111-152-000	TAPA LATERAL DERECHA AY150-8	Boarding, RrR	1
FIG.13-7	93541-39108	TORNILLO ST3.9X10	Screw ST3.9x10	2
FIG.13-8	77211-152-000	TAPA LATERAL IZQUIERDA AY150-8	Boarding, RrL	1
FIG.13-9	77411-152-000	TAPA TRASERA STOP AY150-8	Trail cover	1
FIG.13-10	93541-42138	TORNILLO ST4.2X13	Screw ST4.2x13	2
FIG.13-11	99160-05000	ARANDELA 5MM	Washer5	2
FIG.13-12	55715-152	PLATINA SOPORTE STOP AY150-8	Connect board, rear fender	1
FIG.13-13	55710-152	STOP COMPLETO AY150-8	Taillight assy	1
FIG.13-14	91107-05168	TORNILLO 5X16	Screw M5x16	2
FIG.13-15	55765-152	CAUCHOS SOPORTE STOP	Install rubbe ring	3
FIG.13-16	99160-22562	ARANDELA 22X65X2	Washer $\phi 22 \times \phi 6.5 \times 2$	2
FIG.13-17	99103-10122	TORNILLO 10X12MM	Bolt M10x12	2
FIG.13-18	55970-152	REFLECTIVO TRASERO	Reflector, Rr	1
FIG.13-19	91107-06168	TORNILLO 6X16	Bolt M6x16	2
FIG.13-20	55927-152	SOPORTE PLACA AY150-8	Rear license bracket	1

RDABARROS DELANTERO, TRASERO, TAPAS LATERALES, STOP



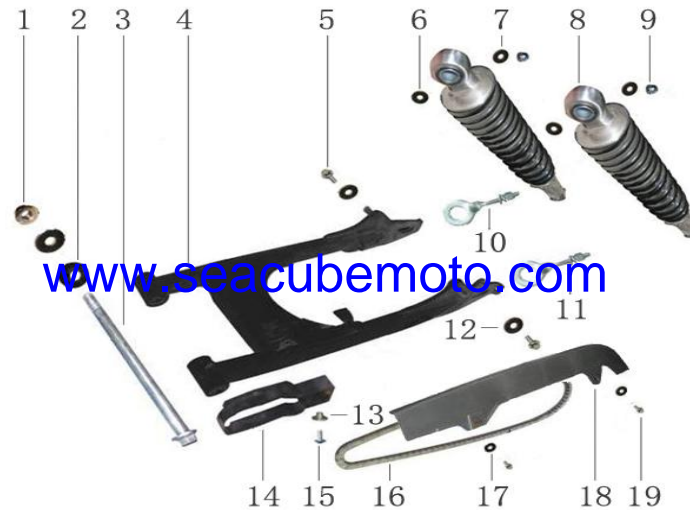
No	REFERENCIA	DESCRIPCION	DESCRIPTION	CANTIDAD
FIG.13-21	98310-06000	TUERCA 6MM	Nut M6	4
FIG.13-22	99103-06208	TORNILLO 6X20MM	Bolt M6x20	4
FIG.13-23	98310-06000	TUERCA 6MM	Nut M6	4
FIG.13-24	99160-06000	ARANDELA 6MM	Washer6	6
FIG.13-25	98321-06000	GUAZA 6MM	Spring washer 6	4
FIG.13-26	63115-152	PLATINA INTERIOR GUARDABARRO DELANTERO	Inner scaleboard, front fender	1
FIG.13-27	68621-152	CAUCHO GUIA GUAYA	Ring, protect line	1
FIG.13-28	78130-152-000	CORTAVIENTO MOTOR DER	Fairing, right below	1
FIG.13-29	78135-152	SEPARADOR CORTAVIENTOS	Insulation pad	1
FIG.13-30	78132-152-000	CORTAVIENTO MOTOR IZQ	Fairing, left below	1
FIG.13-31	92142-06168	TORNILLO 6X16MM	Screw M6x16	2
FIG.13-32	02142-06168	TORNILLO 6X16MM	Screw M6x16	6
FIG.13-33	99160-06000	ARANDELA 6MM	Washer	6
FIG.13-34	99148-06000	TUERCA 6MM	Clip M6	6
FIG.13-35	99148-05000	TUERCA 5MM	Clip M5	2
FIG.13-36	83111-152	GUARDABARRO TRASERO AY150-8	Rear fender	1
FIG.13-37	99103-06128	TORNILLO 6X12MM	Bolt M6x12	1
		21/5W		

MANUBRIO, COMANDOS, TELESCOPICOS, ESPIGO



No	REFERENCIA	DESCRIPCION	DESCRIPTION	CANTIDAD
FIG.15-1	67435-152	PUNTERA MANUBRIO AY150-8	Decorate head, grip	2
FIG.15-2	67110-152	MANILAR ACELERADOR AY150-8	Rubber, right handlebar	1
FIG.15-3	57200-152	COMANDO DERECHO AY150-8	Handlebar switch, RH	1
FIG.15-4	66500-152	ESPEJO DERECHO AY150-8	Rear-right view mirror	1
FIG.15-5	66110-152	MANUBRIO AY150-8	Handle bar	1
FIG.15-6	99103-08358	TORNILLO 8X35MM	Bolt M8x35	4
FIG.15-7	66600-152	ESPEJO IZQUIERDO AY150-8	Lrr view mirror	1
FIG.15-8	57400-152	COMANDO IZQUIERDO AY150-8	Handlebar switch, LH	1
FIG.15-9	67211-152	MANILAR DE CAUCHO IZQUIERDO AY150-8	Rubber, left handlebar	1
FIG.15-10	69000-152	CONJUNTO FRENO DELANTERO AY150-8	Front arrester assy	1
FIG.15-11	67500-152	SOPORTE MANIJA IZQUIERDA AY150-8	Clutch lever assy	1
FIG.15-12	68300-152	GUAYA ACELERADOR AY150-8	Throttle cable	1
FIG.15-13	66211-152	ABRAZADERAS MANUBRIO AY150-8	Connect clip, steering bar	2
FIG.15-14	61311-152	MENSULA DIRECCION AY150-8	Head,steering stem	1
FIG.15-15	61410-152	ESPIGO DIRECCION AY150-8	Steering stem	1
FIG.15-16			Tube nip, front brake	1
FIG.15-17	99103-06168	TORNILLO 6X16MM	Bolt M6x16	2
FIG.15-18	57110-152	INTERRUPTOR ENCENDIDO AY150-8	Lock, bike head	1
FIG.15-19	92112-08168	TORNILLO 8X16MM	Screw M8x16	2
FIG.15-20	68200-152	GUAYA EMBRAGUE AY150-8	Clutch cable unit	1

AY150-8D



www.seacubemoto.com

No	REFERENCIA	DESCRIPCION	DESCRIPTION	CANTIDAD
FIG.16-1	98316-01415	TUERCA EJE TRASERO 14X1.5	Nut M14x1.5	1
FIG.16-2	81262-152	GUARDAPOLVO METALICO TIJERA AY150-8	Boot,bubber	2
FIG.16-3	81211-152	EJE TIJERA AY150-8	Axle rear fork	1
FIG.16-4	81100-152	TIJERA AY150-8	Rear fork jointing unit	1
FIG.16-5	99103-06168	TORNILLO 6X16MM	Bolt M6x16	2
FIG.16-6	99160-15302	ARANDELA 15X30X2.5	Washer ϕ 15x ϕ 30x2.5	2
FIG.16-7	99160-10265	ARANDELA 10.5X26X5.5	Washer ϕ 10.5x ϕ 26x5.5	2
FIG.16-8	82100-152	AMORTIGUADOR TRASERO AY150-8	Absorber, Rear	2
FIG.16-9	99159-10125	TUERCA 10X1.25	Nut M10x1.25	2
FIG.16-10	81420-152	TENSOR CADENA DERECHO AY150-8	Chain bar adjuster assy, R	1
FIG.16-11	81411-152	TENSOR CADENA IZQUIERDO AY150-8	Chain bar adjuster assy, L	1
FIG.16-12	99160-07272	ARANDELA 7X27X2	Washer ϕ 7x ϕ 27x2	2
FIG.16-13	99320-15200	BUJE	Bush	1
FIG.16-14	81273-152	CAUCHO DESLIZADOR CADENA AY150-8	Protect clip, chain bar	1
FIG.16-15	91107-06168	TORNILLO 5X16MM	screw M5x16	1
FIG.16-16	47600-152	CADENA	Chain bar	2
FIG.16-17	99160-06000	ARANDELA 6MM	Washer6	1
FIG.16-18	81310-152	GUARDACADENA AY150-8	Top chain box	1
FIG.16-19	91107-06128	TORNILLO 6X12MM	Bolt M6x12	2

LLANTA DELANTERA, TRASERA, DISCO FRENO DELANTERO, SPROCKET

AY150-8D



www.seacubemoto.com

No	REFERENCIA	DESCRIPCION	DESCRIPTION	CANTIDAD
FIG.17-1	98316-12125	TUERCA 12X1.25	Nut M12	1
FIG.17-2		BUJE LLANTA DELANTERA DER	Front wheel bush, R	1
FIG.17-3	99103-08127	TORNILLO 8X12MM	Screw M8x12	5
FIG.17-4	69211-152	DISCO FRENO DELANTERO AY150-8	Front brake plate	1
FIG.17-5	65100-27518	LLANTA DELANTERA 275X18 AY150-8	Shoe, front wheel	1
FIG.17-6	65200-27518	NEUMATICO DELANTERO AY150-8	Inner tube, front wheel	1
FIG.17-7	65311-152	RIN DELANTERO AY150-8	Front wheel rim assy	1
FIG.17-8	64600-152	CAJA PIÑON VELOCIMETRO AY150-8	Counter	1
FIG.17-9	64711-152	EJE RUEDA DELANTERA AY150-8	Front wheel axle	1
FIG.17-10	98316-14125	TUERCA 14MM	Nut M14	1
FIG.17-11	84721-152	BUJE RUEDA TRASERA DER	Right bush, rear wheel	1
FIG.17-12	84210-152	PORTABANDAS TRASERO	Rear arrester assy	1
FIG.17-13	84410-152	BANDAS TRASERAS		1
FIG.17-14	85100-30018	LLANTA TRASERA 300X18 AY150-8	Shoe, rear wheel	1
FIG.17-15	85200-30018	NEUMATICO TRASERO AY150-8	Inner tube, rear wheel	1
FIG.17-16	85311-152	RIN TRASERO AY150-8	Rear wheel rim assy	1
FIG.17-17	90128-152	TORNILLO SPROCKET	Bolt	4
FIG.17-18	47700-152-042	SPROCKET NT42 AY150-8	R-chain wheel	1
FIG.17-19	98316-10125	TUERCA 10X1.25	NutM10*1.25	4
FIG.17-20	84741-152	BUJE LLANTA TRASERA IZQ	Left bush, rear wheel	1
FIG.17-21	84711-152	EJE LLANTA TRASERA AY150-8	Rear wheel axle	1



www.seacubemoto.com