



PLATINA



PLATINA

Bajaj Auto Limited  
Akurdi Pune 411 035 India  
Tel +91 20 27472851  
Fax +91 20 27407385  
www.bajajauto.com

# Spare Parts Catalogue

(EXPORT)

[www.seacubemoto.com](http://www.seacubemoto.com)



## Notice

[www.seacubemoto.com](http://www.seacubemoto.com)

All information contained in this manual is based on the latest product information at the time of publication. Bajaj Auto Limited accepts no liability for any inaccuracies or omissions in this publication, although every possible care has been taken to make it as complete and accurate as possible. All procedures and specifications subject to change without prior notice. The right is reserved to make such changes at any time without prior notice and without incurring an obligation to make such changes to product manufactured previously. Contact your authorized Bajaj Dealer for the latest information on product improvements incorporated after this manual was issued.

**DOC. NO.: XXXXXXXX**

**REV. 01, JUL. 15**

Copy rights : All rights reserved. No part of this publicatin may be reproduced, stored in a retrival system, Or transmitted in any form or by any means, electronic mechanical photocopying, recording or otherwise, without the prior written permission of Bajaj Auto LTD.

We have pleasure in presenting the Spare Parts Catalogue for ' **Platina 100 ES / KS**' Motorcycle. This catalogue has been specially designed to assist you in selecting the correct parts for procurement to maintain 100% availability.

The Bajaj spares are subjected to the stringent quality control standards to ensure longer life of the vehicle. It is therefore necessary that only the Genuine Bajaj Spares are used.

In a continual effort to improve Performance and Efficiency of the vehicles Specifications, Diagrams, Illustrations and Part Numbers can change without notice. Consequently, the description in this Spare Parts Catalogue cannot therefore be final and binding on us.

The modifications / alterations which are carried out after the issue of this catalogue, will be conveyed to you through our Service Circulars. You are requested to make necessary corrections in the Parts Catalogue as per the circulars so as to keep your catalogue up-to-date. This will ensure the appropriate and speedy delivery of the Spare Parts as the order placed will bear the latest part numbers.

In case, if you need any technical assistance contact the concerned Regional Office or write to us on the following address :

**Bajaj Auto Limited**  
**Service Department**  
 Akurdi, Pune 411 035 India  
 Phone : 020-27406557  
 Fax : 020-27407385

**1. How to Read the Catalogue :** Open the catalogue and from the pictorial index locate the group in which the part you want to find is present. Turn over to the concerned page number (as given by pictorial index). Now find out the figure of the part you wish to order. Write down the part number against that particular figure number from the text.

In case, if you have the part number and you need the other details, the part index can be used. The part index (at the end of the catalogue) will give you the figure and page number of the part you wish to order.

**2. How to Order Spare Parts :** The part number and the description of the part required should be invariably mentioned in the order as per the catalogue text.

The latest part number as conveyed through our service circulars should only appear on the order. In case of ordering painted components, colour shade of the components should be mentioned.

The quantity shown against the part number is the quantity per vehicle for that group so that particular quantity should be multiplied by the number of sets required.

**3. Part Number System :** We have used 8 digit system for part numbers. The model or hardware item is indicated by first two digits or alphanumeric, the next two or four digits indicate main group and the last four or two digits indicate serial number in main group or serial number or subgroup of fastener respectively. Thus the part numbers will be indicated by 2-2-4 or 2-4-2 digit system. Understanding this system will enable you to identify the spare parts easily.

**4. Abbreviations :** The following abbreviations are used in this catalogue.

Assly	Assembly	V	Volts
N.I.	Not illustrated	W	Watts
C'case	Crankcase	Accl.	Accelerator
Cyl	Cylinder	Comp.	Complete
O/s	Over size	Fr.	Front
Rr.	Rear	Std.	Standard
L	Length	A/t.	Alternate
R.H.	Right hand	L.H.	Left hand
Hex.	Hexagonal	AR	As required

Plate No.	Description	Page No.
1	Cover Cylinder Head	2
2	Cylinder Head	4
3	Valve	6
4	Camshaft / Tensioner	8
5	Cylinder and Piston	10
6	Crankshaft	12
7	Transmission	14
8	Change Drum / Shift Fork	16
9	Gear Change Mechanism	18
10	Engine Assly / Crankcase RH	20
11	Crankcase LH	22
12	Oil Pump	24
13	Kick Starter Mechanism	26
14	Cover Clutch	28
15	Cover Magneto	30
16	Clutch Assly	32
17	Carburettor Assembly	34
18	Air Cleaner Complete	36
19	Silencer Assly	38
20	Starter Assly	40
21	Magneto, C.D.I. & H.T. Coil	42
22	Seat Assly / Seat Lock	44
23	Engine Mountings	46
24	Frame and Frame Fitting	48
25	Swing Arm/Rear Shock Absorber	50
26	Rider Foot Rest	52
27	Mudguard- Front & Rear	54
28	Stand Assembly	56
29	Tyre/ Tube / Rim	58
30	Front Hub (Drum brake)	60

[www.seacubemoto.com](http://www.seacubemoto.com)

Plate No.	Description	Page No.
31	Front Hub (Disc Brake)	62
32	Front Master Cylinder (Disc Brake)	64
33	Front Caliper Assembly (Disc Brake)	66
34	Rear Hub	68
35	Rear Brake Pedal	70
36	Handle Bar Assly	72-74
37	Front Fork	76
38	Painted Parts & Decals	78-80
39	Petrol Tank, Cap Tank & Gauge Fuel	82
40	Fittings - Petrol Tank, Side Cover & Cover Seat	84
41	Meter Assly.	86
42	Control Cables	88
43	Chain Case	90
44	Head Lamp & Fairing	92
45	Indicator Light Assly.	94
46	Tail Lamp Assly. / Front No. Plate	96
47	Electrical Equipments	98
48	Tool Kit	100
49	Accessories / Grab Handle	102
	Kits List	103-106
	Part Index	107-120

PLATE NO. : 1 COVER CYLINDER HEAD	PAGE NO. 1

PLATE NO. : 2 CYLINDER HEAD	PAGE NO. 3

PLATE NO. : 3 VALVE	PAGE NO. 5

PLATE NO. : 4 CAMSHAFT / TENSIONER	PAGE NO. 7

PLATE NO. : 5 CYLINDER & PISTON	PAGE NO. 9

PLATE NO. : 6 CRANKSHAFT	PAGE NO. 11

PLATE NO. : 7 TRANSMISSION	PAGE NO. 13

PLATE NO. : 8 CHANGE DRUM / SHIFT FORK	PAGE NO. 15


PLATE NO. : 9 GEAR CHANGE MECHANISM	PAGE NO. 17
	

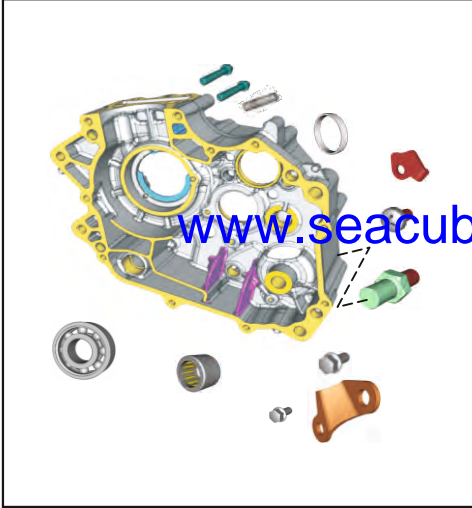
PLATE NO. : 10 ENGINE ASSLY & CRANKCASE RH	PAGE NO. 19
	

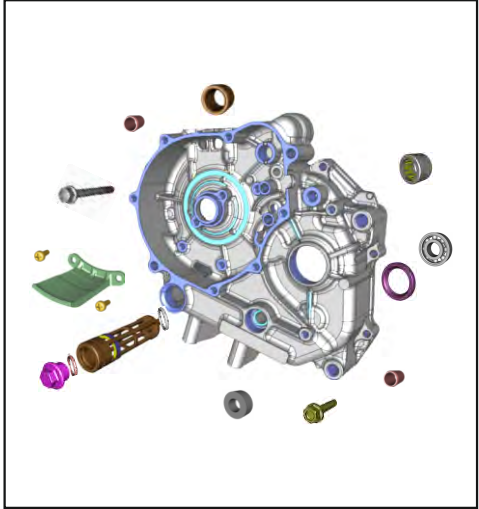
PLATE NO. : 11 CRANKCASE LH	PAGE NO. 21
	

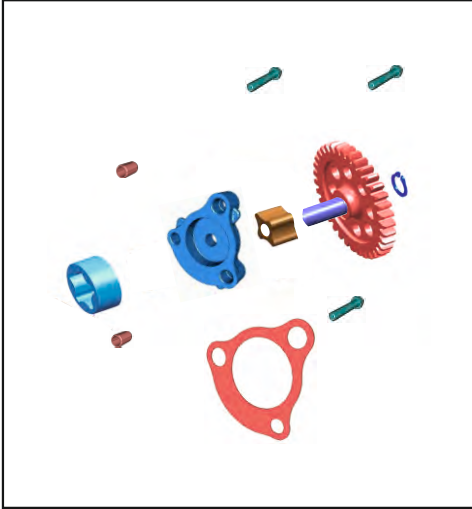
PLATE NO. : 12 OIL PUMP	PAGE NO. 23
	

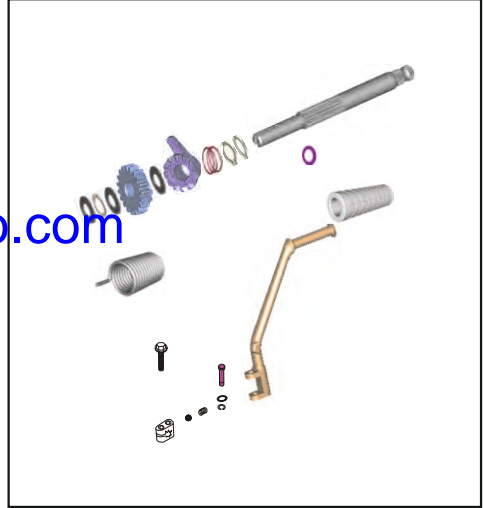
PLATE NO. : 13 KICK STARTER MECHANISM	PAGE NO. 25
	

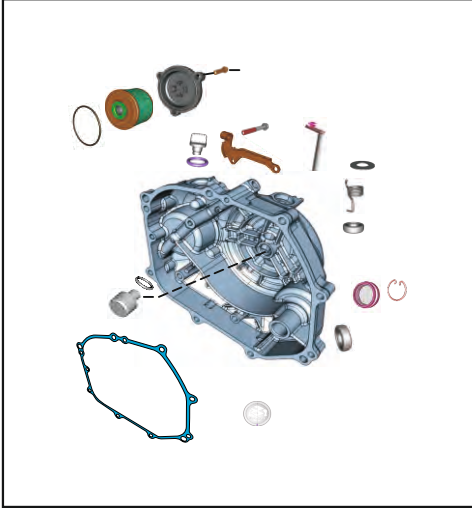
PLATE NO. : 14 COVER CLUTCH	PAGE NO. 27
	

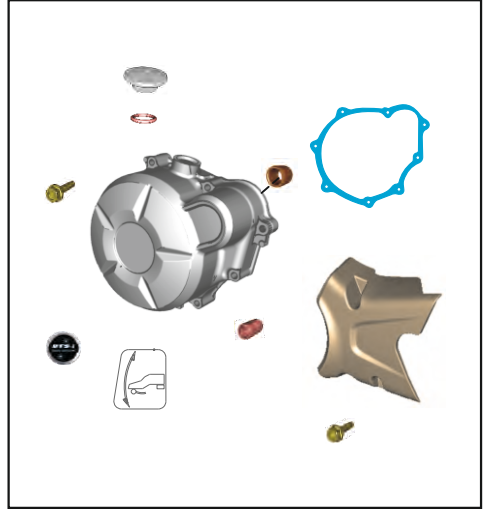
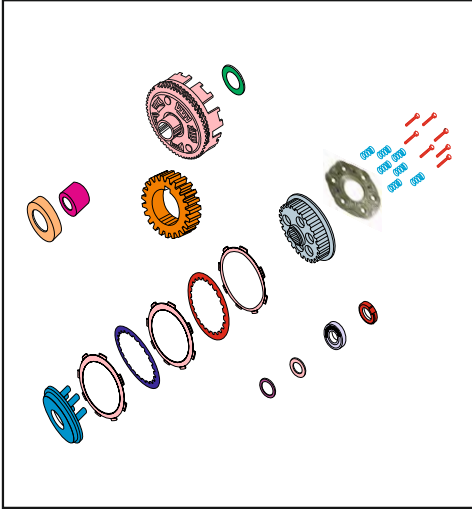
PLATE NO. : 15 COVER MAGNETO	PAGE NO. 29
	

PLATE NO. : 16 CLUTCH ASSLY	PAGE NO. 31
	

[www.seacubemoto.com](http://www.seacubemoto.com)

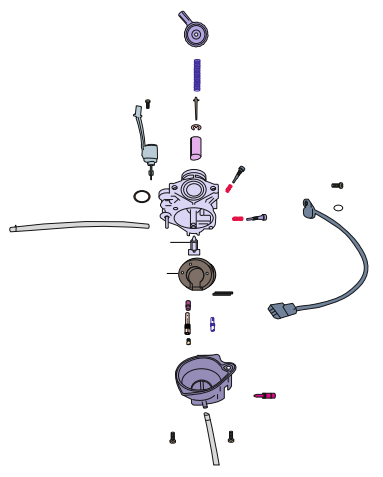
PLATE NO. : 17 CARBURETTOR	PAGE NO. 33
	

PLATE NO. : 18 AIR CLEANER COMPLETE	PAGE NO. 35
	

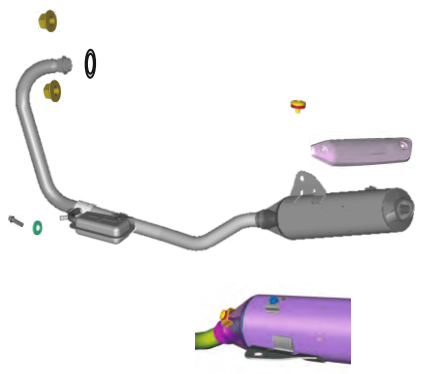
PLATE NO. : 19 SILENCER ASSLY	PAGE NO. 37
	


PLATE NO. : 20 STARTER ASSLY	PAGE NO. 39
	

PLATE NO. : 21 MAGNETO, C.D.I. & H.T. COIL	PAGE NO. 41
	

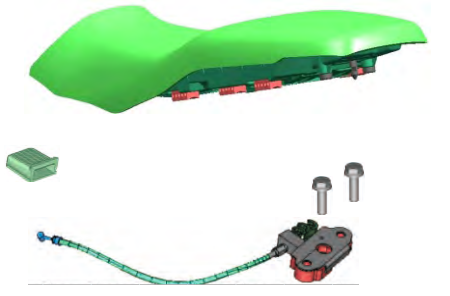
PLATE NO. : 22 SEAT ASSLY / SEAT LOCK	PAGE NO. 43
	

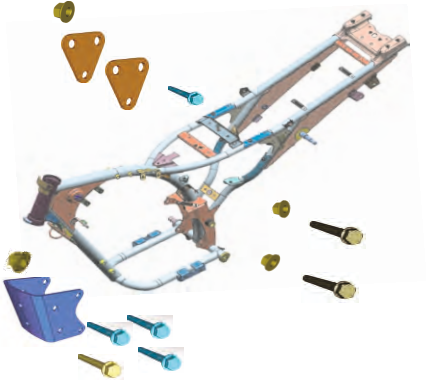
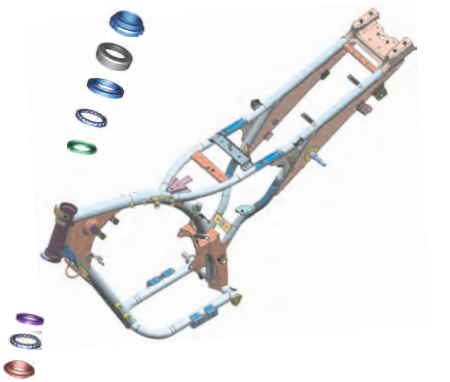
PLATE NO. : 23 ENGINE MOUNTINGS	PAGE NO. 45
	

PLATE NO. : 24 FRAME AND FRAME FITTING	PAGE NO. 47
	

[www.seacubemoto.com](http://www.seacubemoto.com)

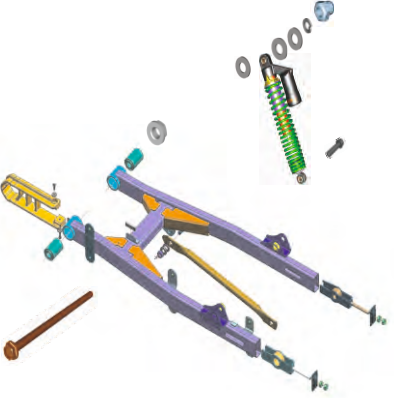
PLATE NO. : 25 SWING ARM/REAR SHOCK ABSORBER	PAGE NO. 49
	

PLATE NO. : 26 RIDER FOOT REST	PAGE NO. 51
	

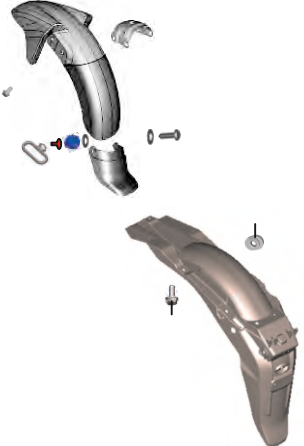
PLATE NO. : 27 MUDGUARD- FRONT & REAR	PAGE NO. 53
	

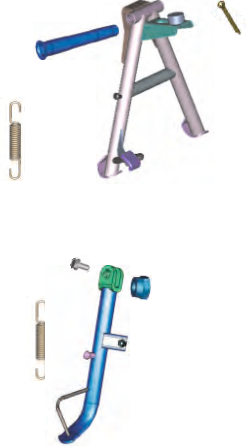
PLATE NO. : 28 STAND ASSEMBLY	PAGE NO. 55
	


PLATE NO. : 29 TYRE/ TUBE / RIM	PAGE NO. 57
	


PLATE NO. : 30 FRONT HUB (DRUM BRAKE)	PAGE NO. 59
	


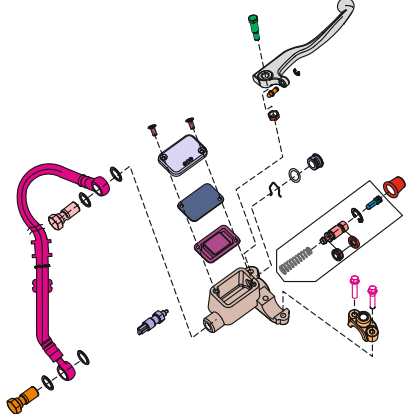
PLATE NO. : 31 REAR HUB	PAGE NO. 61
	

PLATE NO. : 32 REAR BRAKE PEDAL	PAGE NO. 63
	

[www.seacubemoto.com](http://www.seacubemoto.com)



PLATE NO. : 33 HANDLE BAR ASSLY	PAGE NO. 65, 67

PLATE NO. : 31 REAR HUB	PAGE NO. 61

PLATE NO. : 32 REAR BRAKE PEDAL	PAGE NO. 63

PLATE NO. : 33 HANDLE BAR ASSLY	PAGE NO. 65, 67

PLATE NO. : 34 FRONT FORK	PAGE NO. 77

PLATE NO. : 35 PAINTED PARTS & DECALS A	PAGE NO. 79

PLATE NO. : 36 PETROL TANK, CAP TANK & GAUGE FUEL	PAGE NO. 81

PLATE NO. : 37 FITTINGS - PETROL TANK, SIDE COVER & COVER SEAT	PAGE NO. 83

[www.seacubemoto.com](http://www.seacubemoto.com)

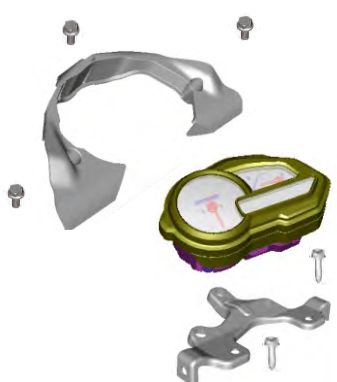
PLATE NO. : 38 METER ASSLY.	PAGE NO. 85
	

PLATE NO. : 39 CONTROL CABLES	PAGE NO. 87
	

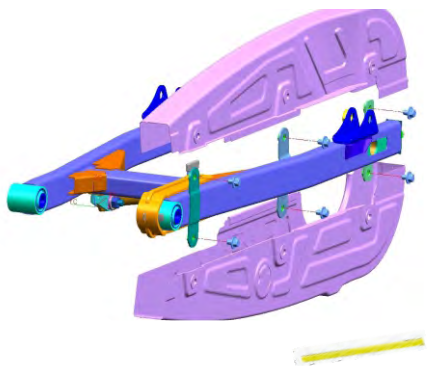
PLATE NO. : 40 CHAIN CASE	PAGE NO. 89
	

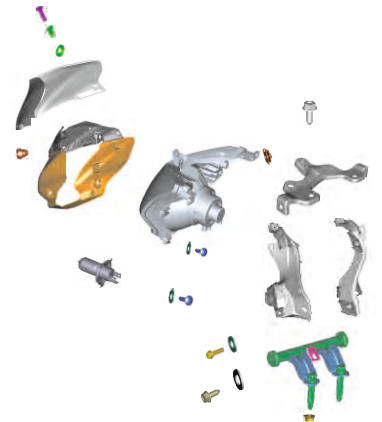
PLATE NO. : 42 INDICATOR LIGHT ASSLY.	PAGE NO. 91
	


PLATE NO. : 42 INDICATOR LIGHT ASSLY.	PAGE NO. 93
	

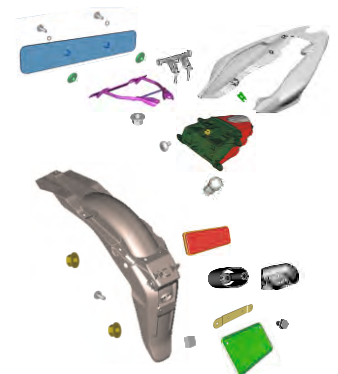
PLATE NO. : 43 TAIL LAMP ASSLY. / FRONT NUMBER PLATE	PAGE NO. 95
	

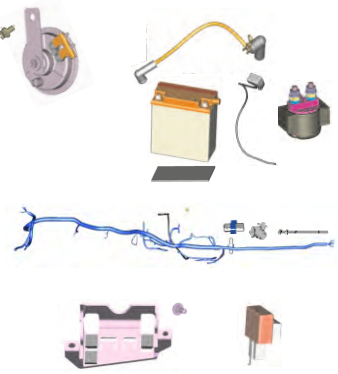
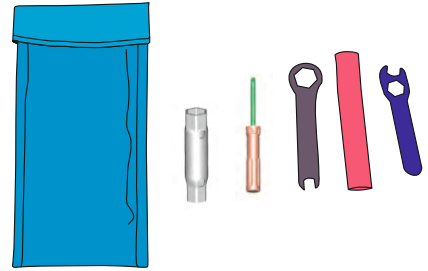
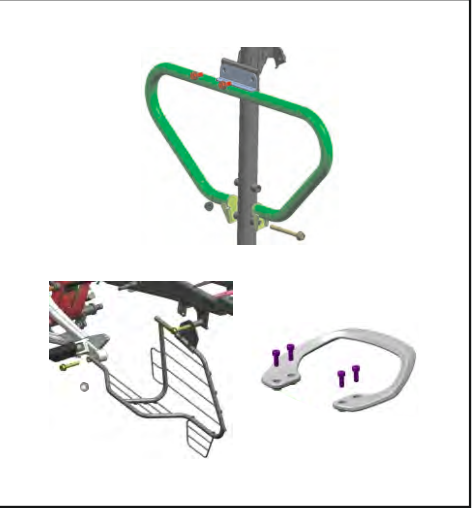
PLATE NO. : 44 ELECTRICAL EQUIPMENTS	PAGE NO. 91
	

PLATE NO. : 45 TOOL KITA	PAGE NO. 91
	

[www.seacubemoto.com](http://www.seacubemoto.com)

PLATE NO. : 46  
 ACCESSORIES / GRAB HANDLE

PAGE NO.  
 85



[www.seacubemoto.com](http://www.seacubemoto.com)

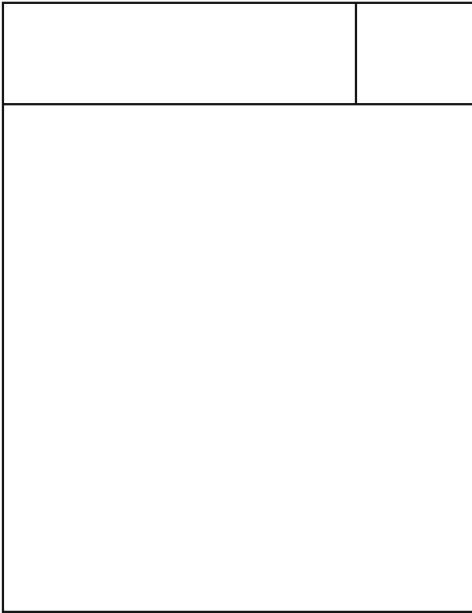
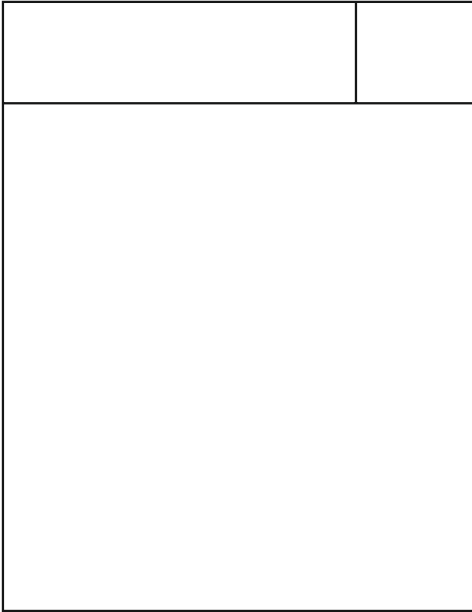
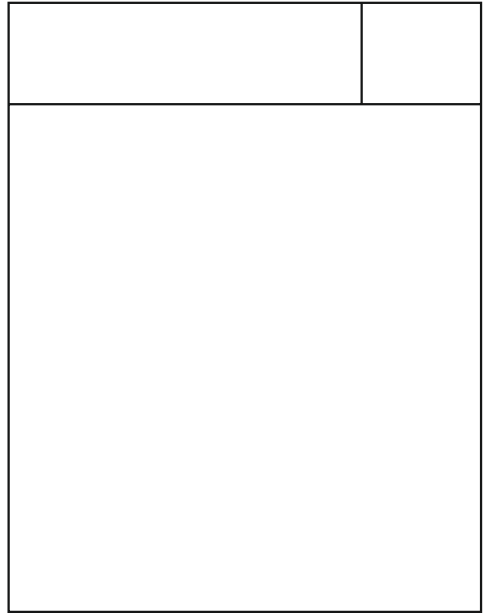
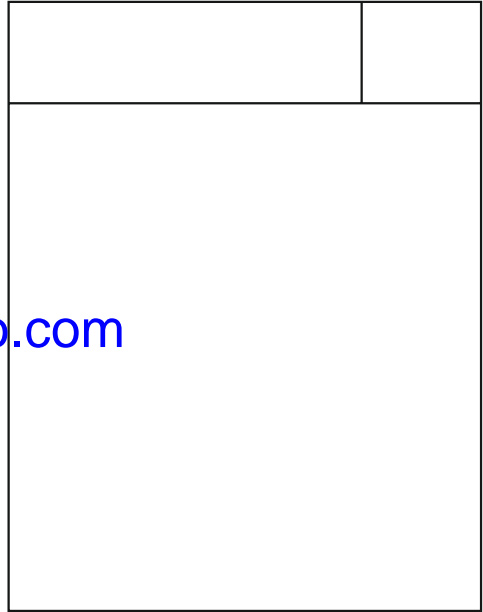
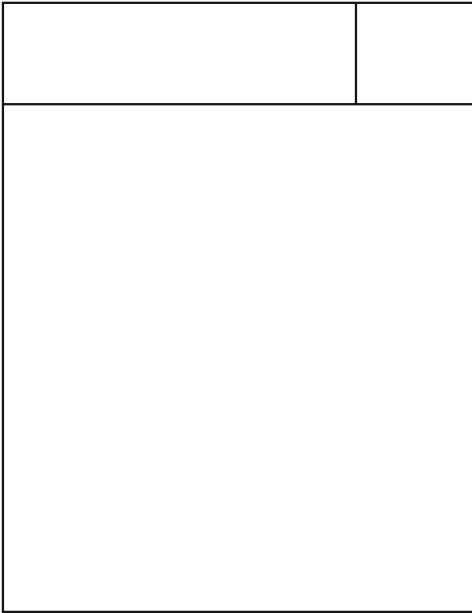
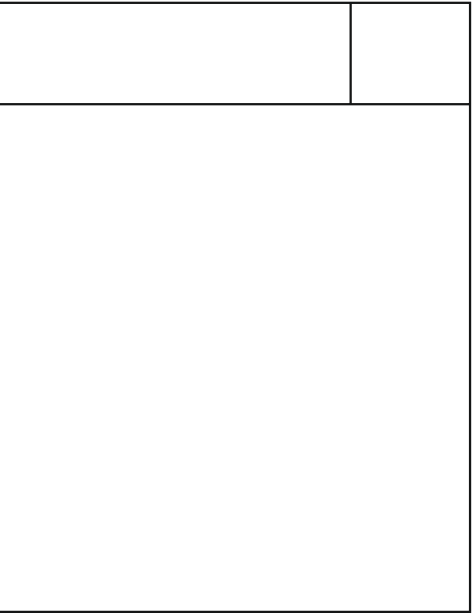
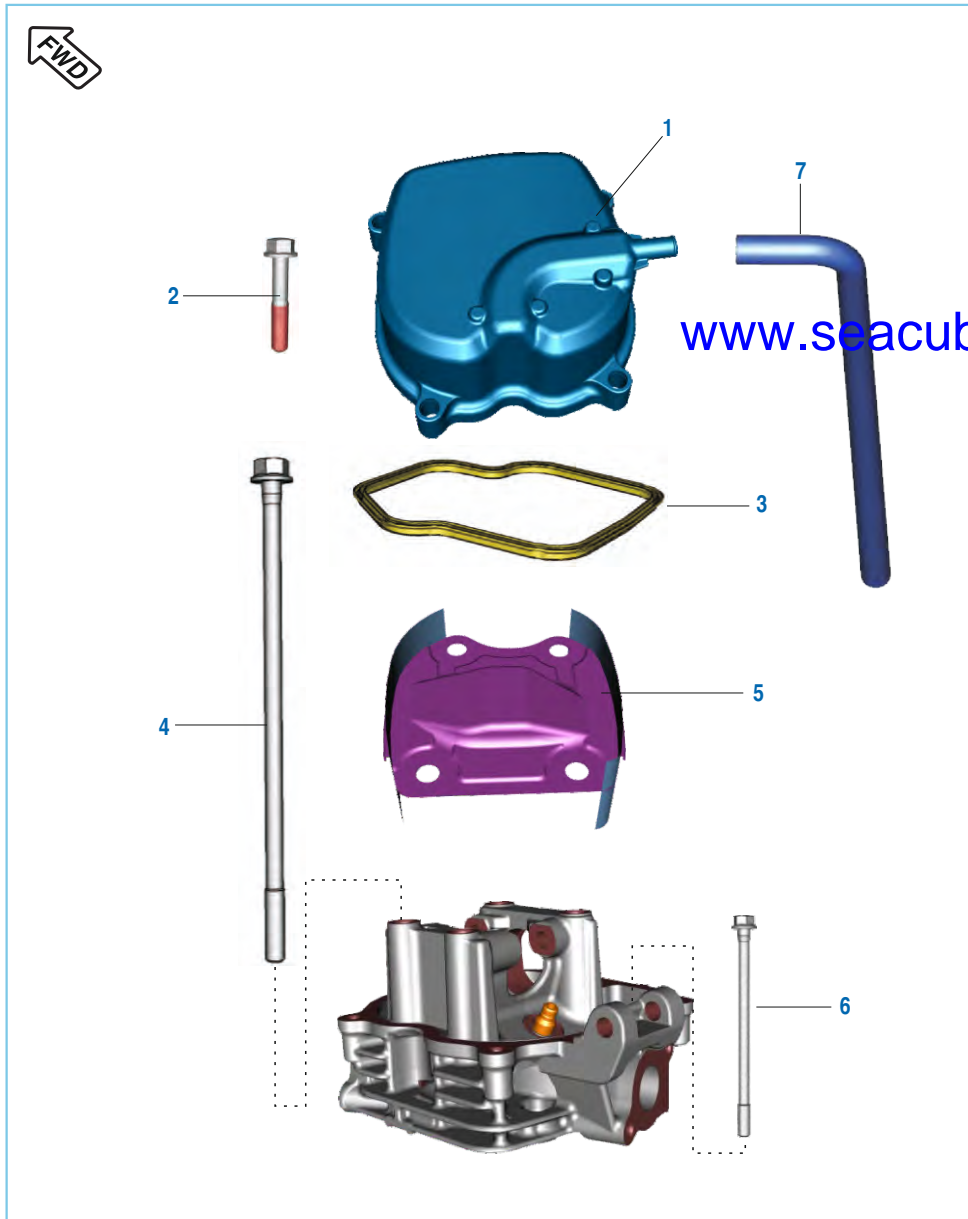


Plate No.: 1

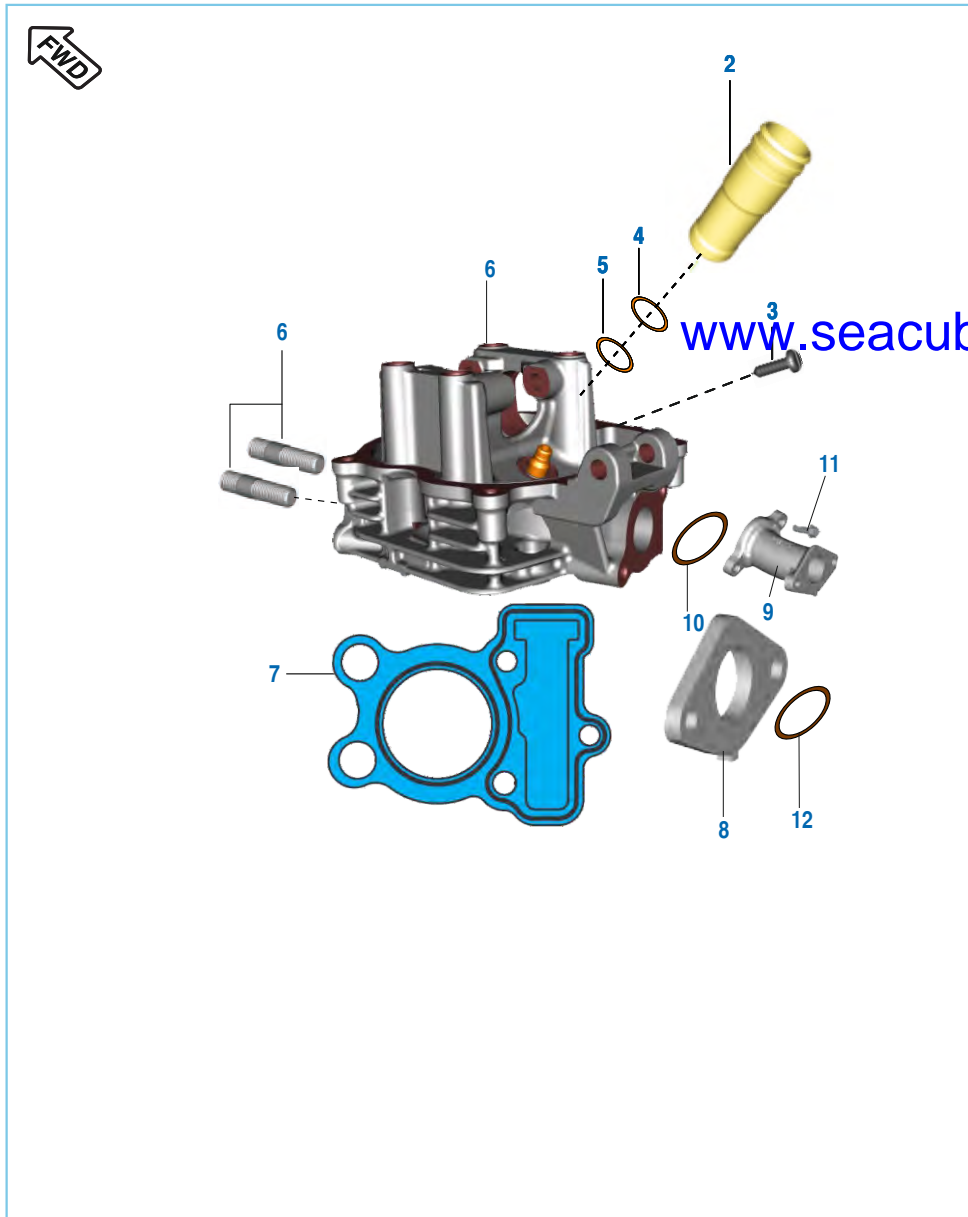
Cover Cylinder Head



www.seacubemoto.com

No.	Part No.	Description	Qty.		Remarks
			ES	KS	
1	JV 5110 13	Cylinder Head Cover Comp	1	1	
2	59 0400 38	Bolt Flanged	4	4	
3	JV 5110 12	Gasket Cylinder Head Cover	1	1	
4	JB 5110 11	Bolt Head Mounting	4	4	
5	JV 5110 11	Plate Cylinder Head	1	1	
6	JB 5110 15	Bolt Head Mtg	1	1	
7	PF 5810 47	Tube Breather	1	1	

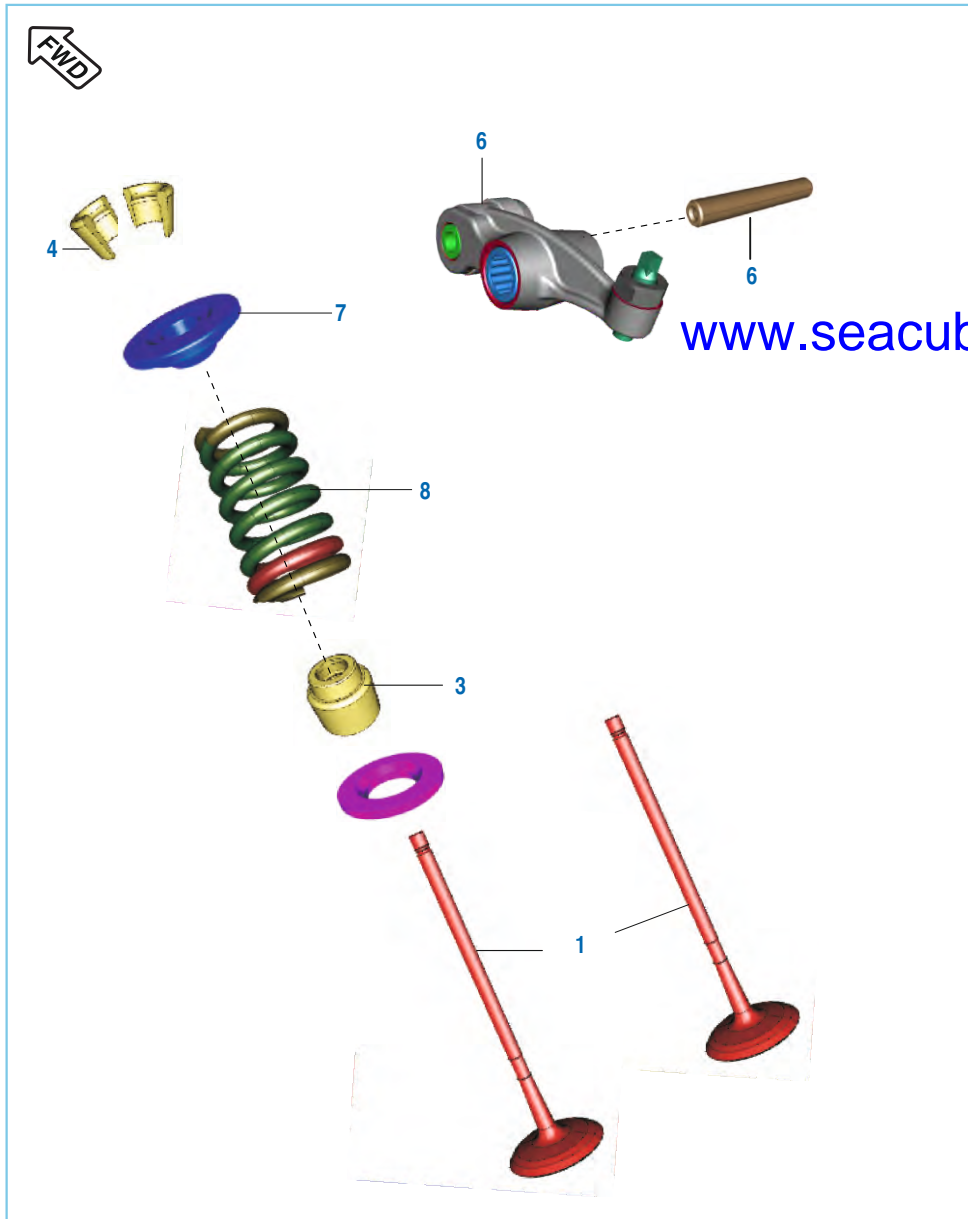
Cylinder Head



www.seacubemoto.com

No.	Part No.	Description	Qty.		Remarks
			ES	KS	
1	36 PF00 44	Cylinder Head Complete	1	1	
2	PF 5110 61	Sleeve Spark Plug	1	1	
3	39 2608 01	Screw - Grub	1	1	
4	39 1283 21	Ring - 'O'	1	1	
5	39 2629 21	O-Ring	1	1	
6	LA J0000 02	Stud M8X1.25X45L	2	2	
7	JB 5110 19	Gasket Cylinder Head	1	1	
8	PA 5812 24	Insulator Carb PTE-16	1	1	
9	PF 5814 10	Manifold Intake	1	1	
10	39 2539 21	O-Ring	1	1	
11	JA 5814 06	Bolt Flange	4	4	
12	JB 5812 72	Seal O-Ring Insulator	1	1	

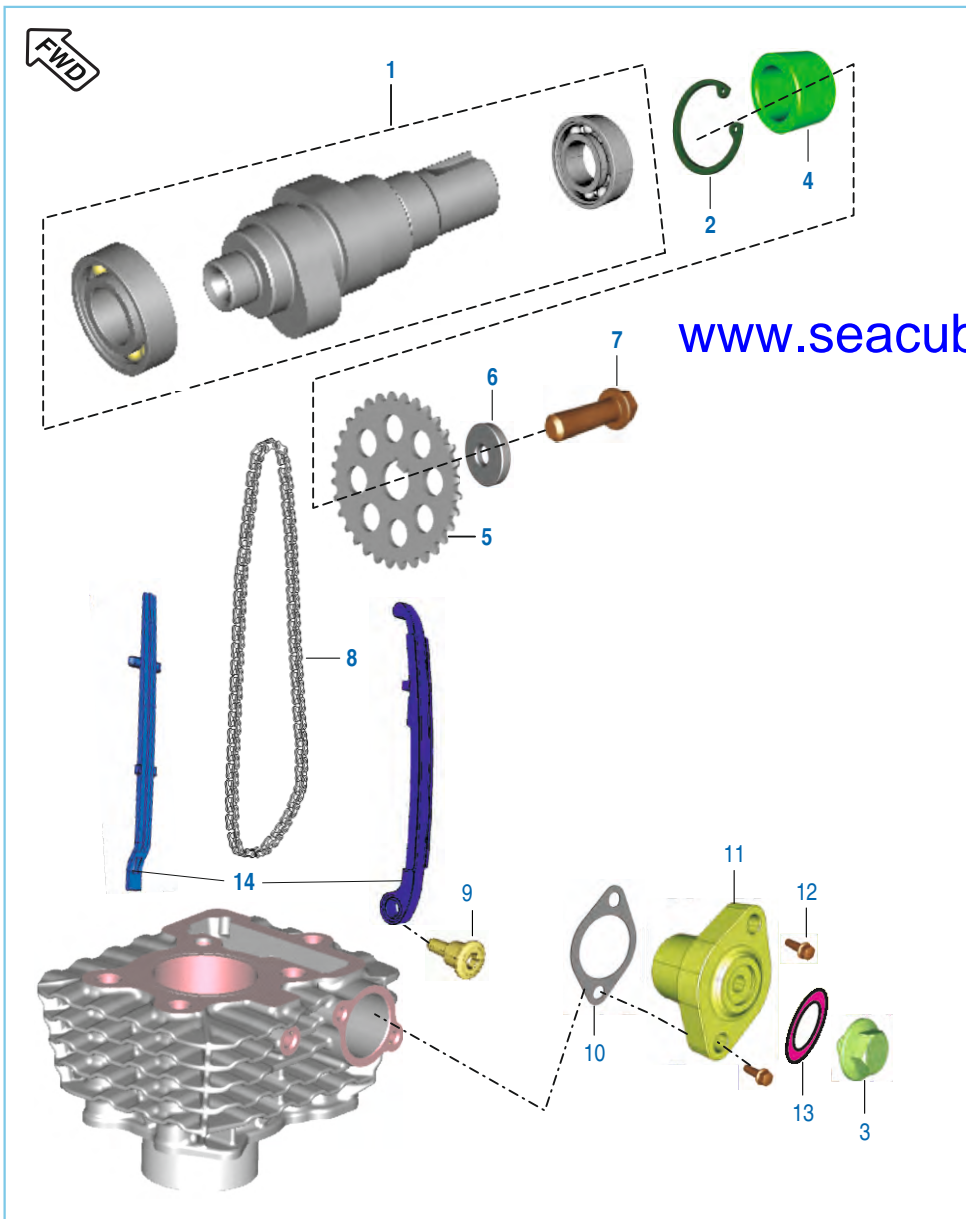
Valve



[www.seacubemoto.com](http://www.seacubemoto.com)

No.	Part No.	Description	Qty.		Remarks
			ES	KS	
1	36 PF00 48	Kit Valve Intake + Exhaust	1	1	
2	36 PF00 47	Kit Valve Repair	1	1	
3	39 2017 19	Seal - Oil	2	2	
4	DG 1010 29	Collet	4	4	
5	DU 1011 90	Assly Rocker Arm	2	2	
6	JA 5112 11	Shaft Rocker Arm Intake	2	2	
7	JD 5112 03	Seat Valve Spring	2	2	
8	JE 5112 40	Spring Valve	2	2	

Camshaft / Tensioner

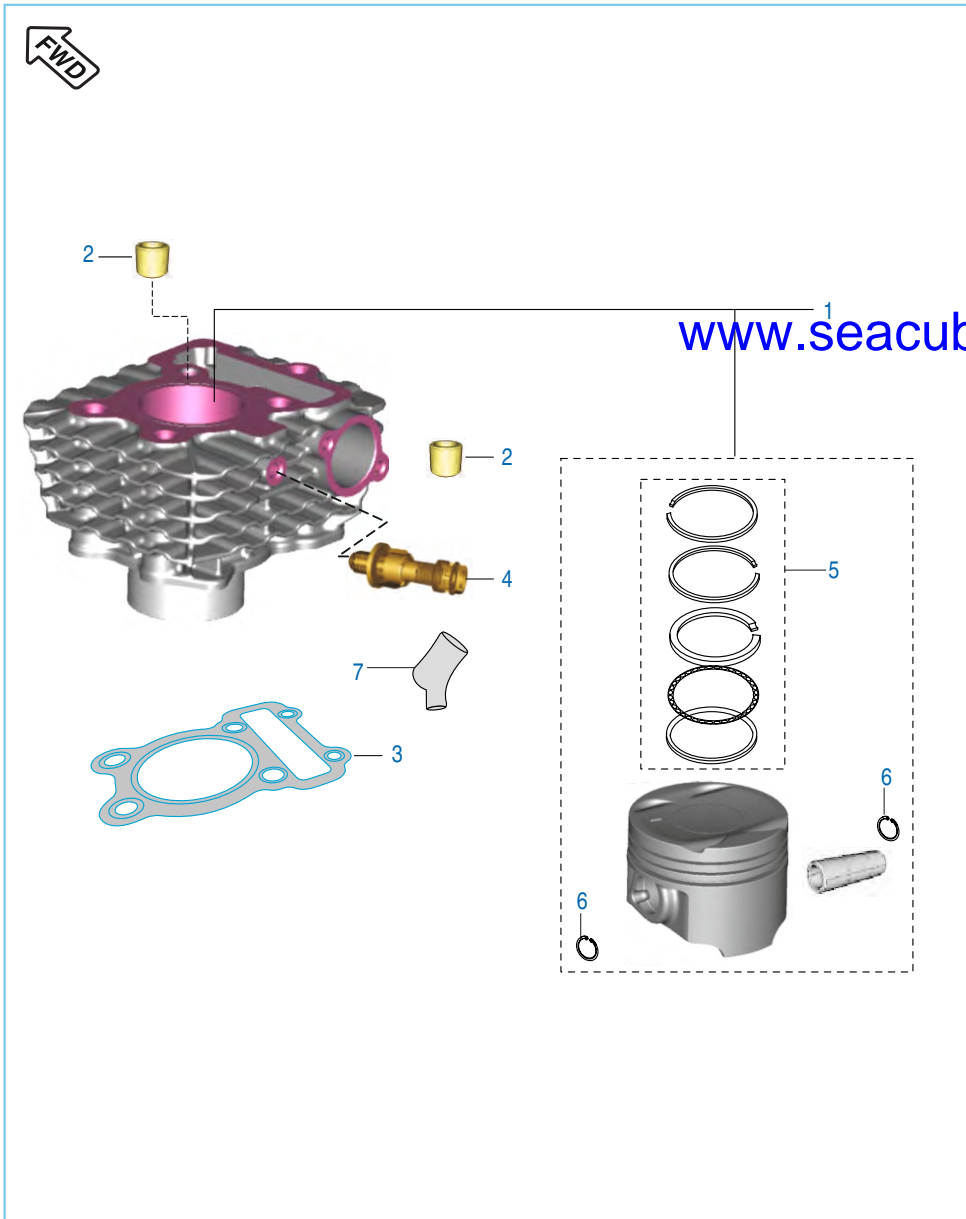


www.seacubemoto.com

No.	Part No.	Description	Qty.		Remarks
			ES	KS	
1	PF 5112 09	Camshaft Assly	1	1	
2	39 0594 17	Circlip - Internal	1	1	
3	JA 5210 18	Bolt Tensioner	1	1	
	DD 1010 62	Bolt Tensioner	1	1	Ref. Cir. IB-259
4	JA 5112 16	Spacer Cam Sprocket	1	1	
5	PF 5112 03	Sprocket - Cam Driven 34 Teeth	1	1	
6	DH 1010 48	Washer- Special: Camshaft	1	1	
7	59 0400 31	Bolt Hex Socket Head Cap	1	1	
	DK 1013 86	Precoated Soc Hd Cap Bolt	1	1	Ref. Cir. IB-259
8	DS 1099 05	Cam Chain (Dumbbell)	1	1	
9	DH 1013 92	Tensioner Pivot Bolt	1	1	
10	CS 1011 28	Gasket	1	1	
11	JE 5210 16	Chain Tensioner	1	1	
12	JA 5210 19	Bolt	2	2	
	39 1673 04	Bolt	2	2	Ref. Cir. IB-259
13	39 2669 21	Ring - 'O' (ID 10.15X1.5)	1	1	
14	36 PF00 61	Kit Chain Guide	1	1	

Plate No.: 5

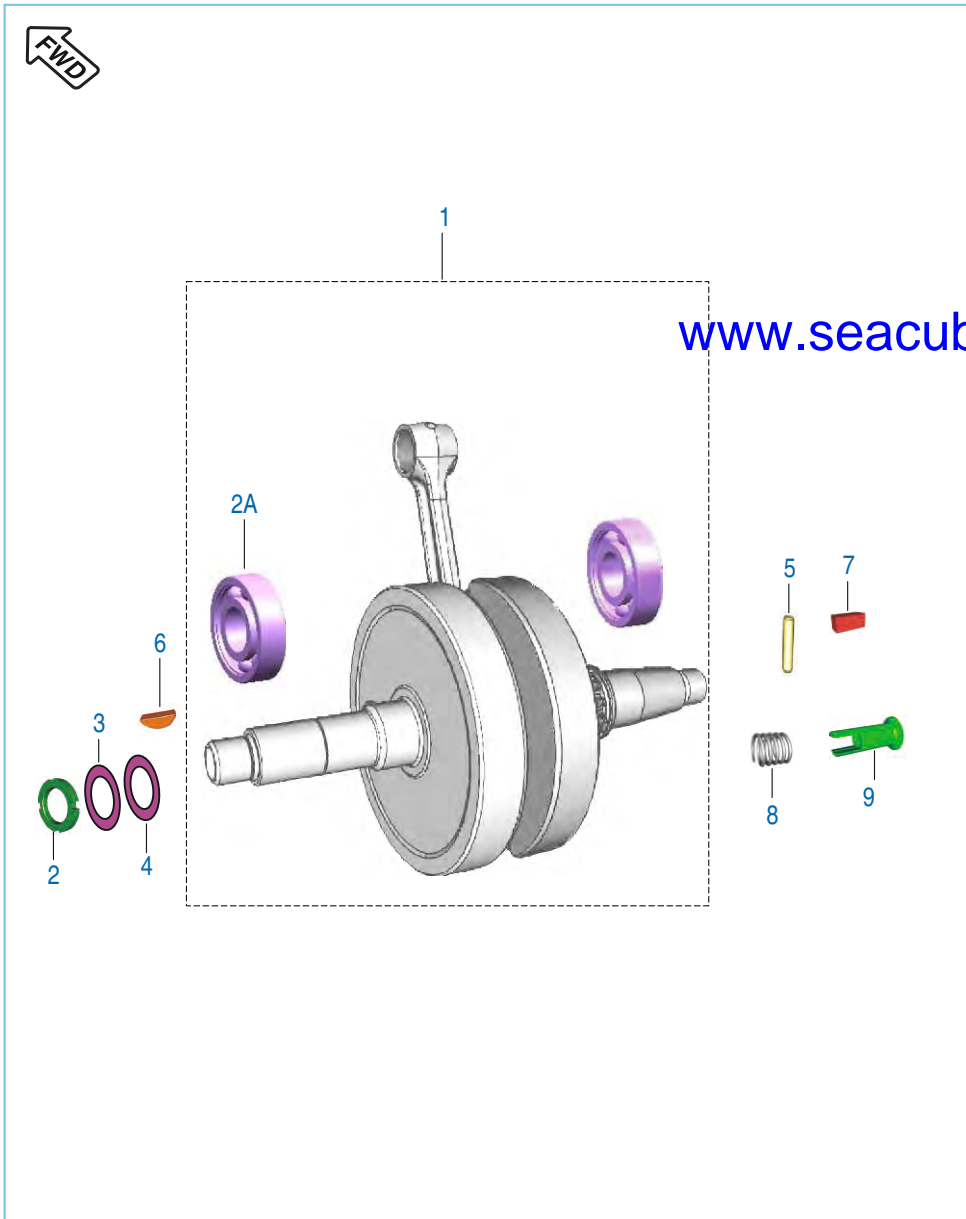
Cylinder and Piston



No.	Part No.	Description	Qty.		Remarks
			ES	KS	
1	36 PF00 45	Kit Piston Block	1	1	
2	39 1000 06	Pin - Hollow Dowel	2	2	
3	JD 5210 02	Gasket Cylinder Block	1	1	
4	JW 3514 00	Thermal Sensor	1	1	
5	36 PF00 62	Kit Piston Ring	1	1	
6	PA 5212 14	Circlip Piston	2	2	
7	JB 4022 02	Grommet - Thermal Sensor	1	1	



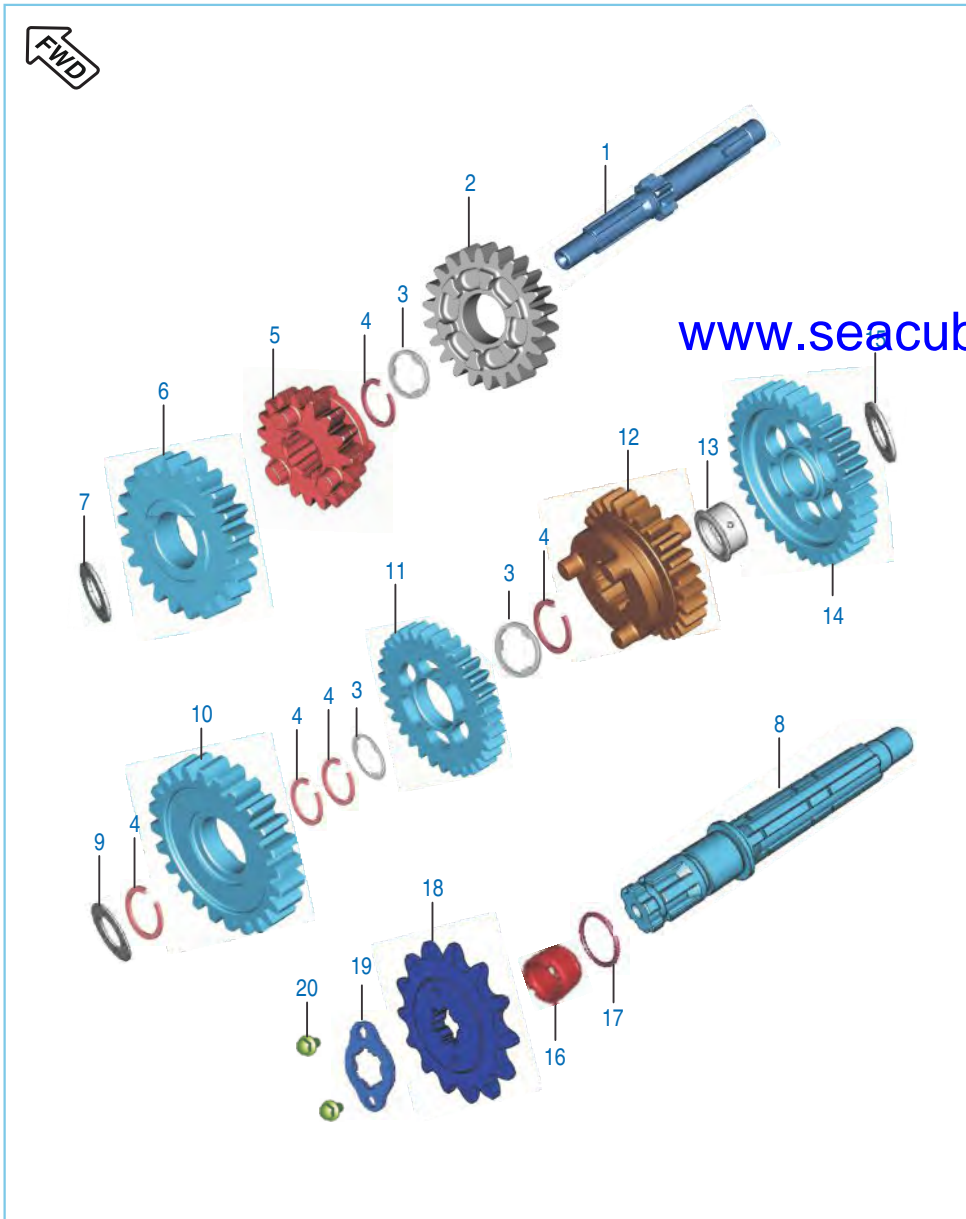
Crankshaft



[www.seacubemoto.com](http://www.seacubemoto.com)

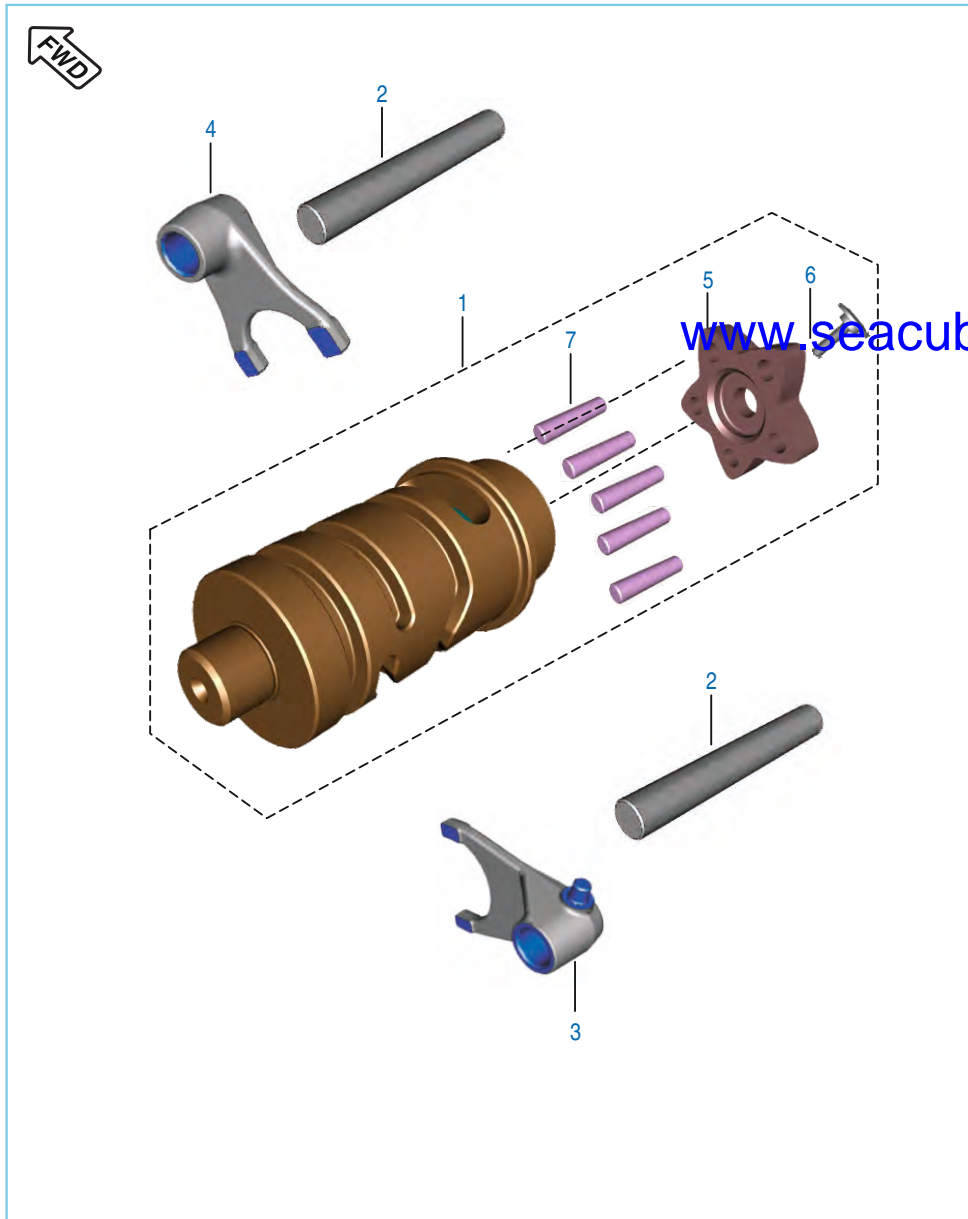
No.	Part No.	Description	Qty.		Remarks
			ES	KS	
1	PF 5310 11	Crankshaft Assembly	1	1	
2	59 1500 14	Nut Flange	2	2	
2A	JE 5310 01	Bearing Ball	2	2	
3	59 1200 03	Washer Belleville	2	2	
4	59 1100 08	Washer	1	1	
5	JA 5310 15	Pin(C/S Plunger)	1	1	
6	31 1011 73	Key -Woodruff	1	1	
7	DS 1011 54	Key	1	1	
8	JA 5310 12	Spring	1	1	
9	JB 5310 21	Plunger Oil Crankshaft	1	1	

Transmission



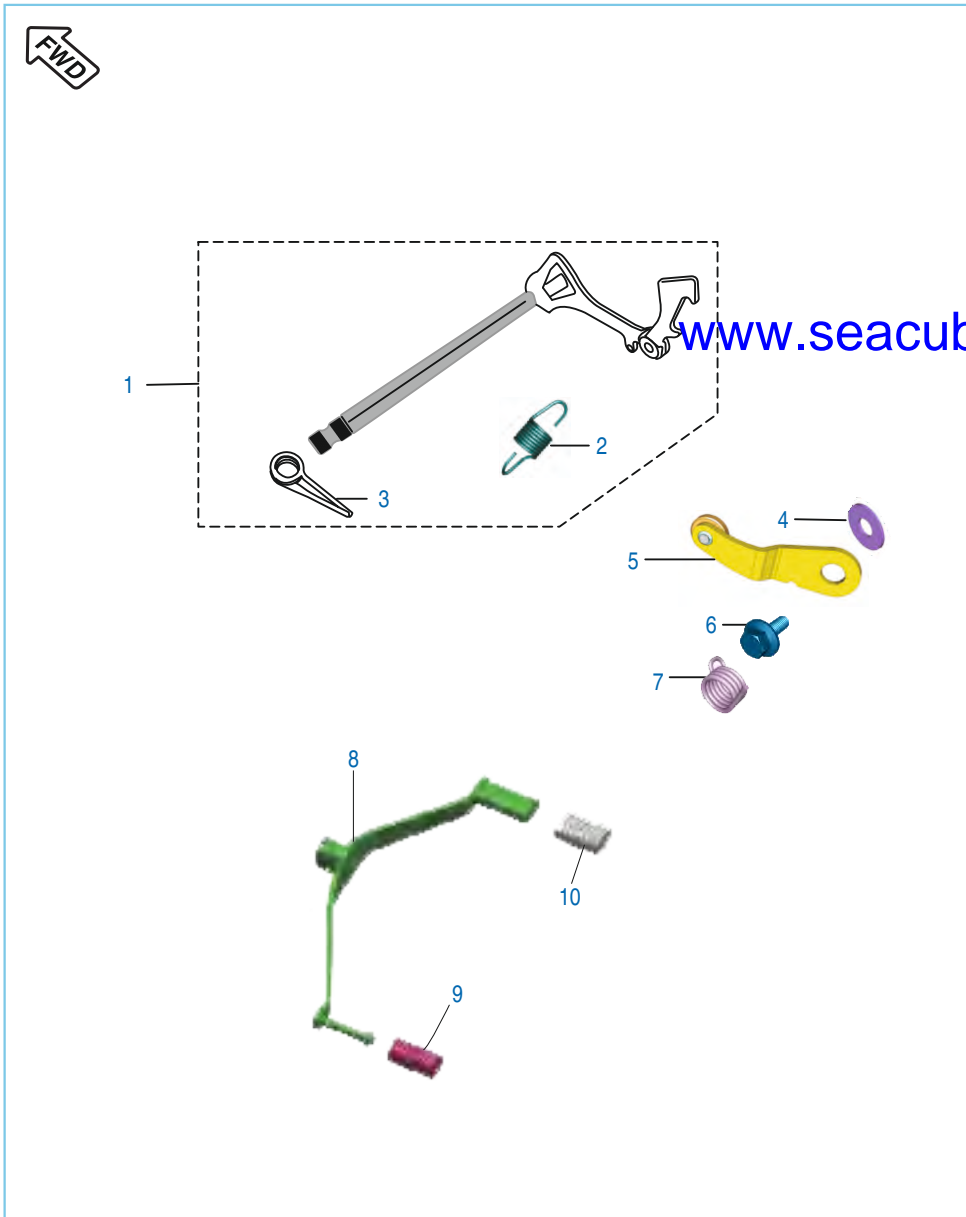
No.	Part No.	Description	Qty.		Remarks
			ES	KS	
1	PA 5510 02	Shaft Input	1	1	
2	PA 5512 07	Gear 4th Drive	1	1	
3	JA 5510 02	Spline Washer	3	3	
4	39 0987 17	Ring - Snap	5	5	
5	PF 5512 01	Gear 3rd Drive	1	1	
6	PF 5512 00	Gear 2nd Drive	1	1	
7	JA 5510 04	Washer Thrust 2nd Drive	1	1	
8	PF 5510 03	Shaft Output	1	1	
9	PF 5512 06	Washer Gear 2nd Driven	1	1	
10	PF 5512 03	Gear 2nd Driven	1	1	
11	PF 5512 04	Gear 3rd Driven	1	1	
12	PA 5512 06	Gear 4th Driven	1	1	
13	JZ 5512 05	Bush 1st Driven	1	1	
14	PA 5512 05	Gear 1st Driven	1	1	
15	JA 5510 08	Washer Thrust	1	1	
16	JA 5510 09	Collar Sprocket Drive	1	1	
17	59 2100 24	'O' Ring	1	1	
18	JB 5510 00	Sprocket Output	1	1	
19	DU 1012 13	Plate Lock-sprocket output	1	1	
20	39 1981 04	Bolt Flanged	2	2	

Change Drum / Shift Fork



No.	Part No.	Description	Qty.		Remarks
			ES	KS	
1	PF 5610 00	Assly Drum Gear Shift	1	1	
2	PF 5610 02	Shaft Gear Fork Shift	2	2	
3	JD 5610 04	Fork Gear Shift Output	4	4	
4	JZ 5610 02	Fork Input Disco-H	1	1	
5	JA 5610 02	Cam Drum Change	1	1	
	PF 5610 05	Cam Drum Change	1	1	Ref. Cir. IB-259
6	JD 5610 11	Special bolt	1	1	
7	39 0992 06	Dowl	5	5	

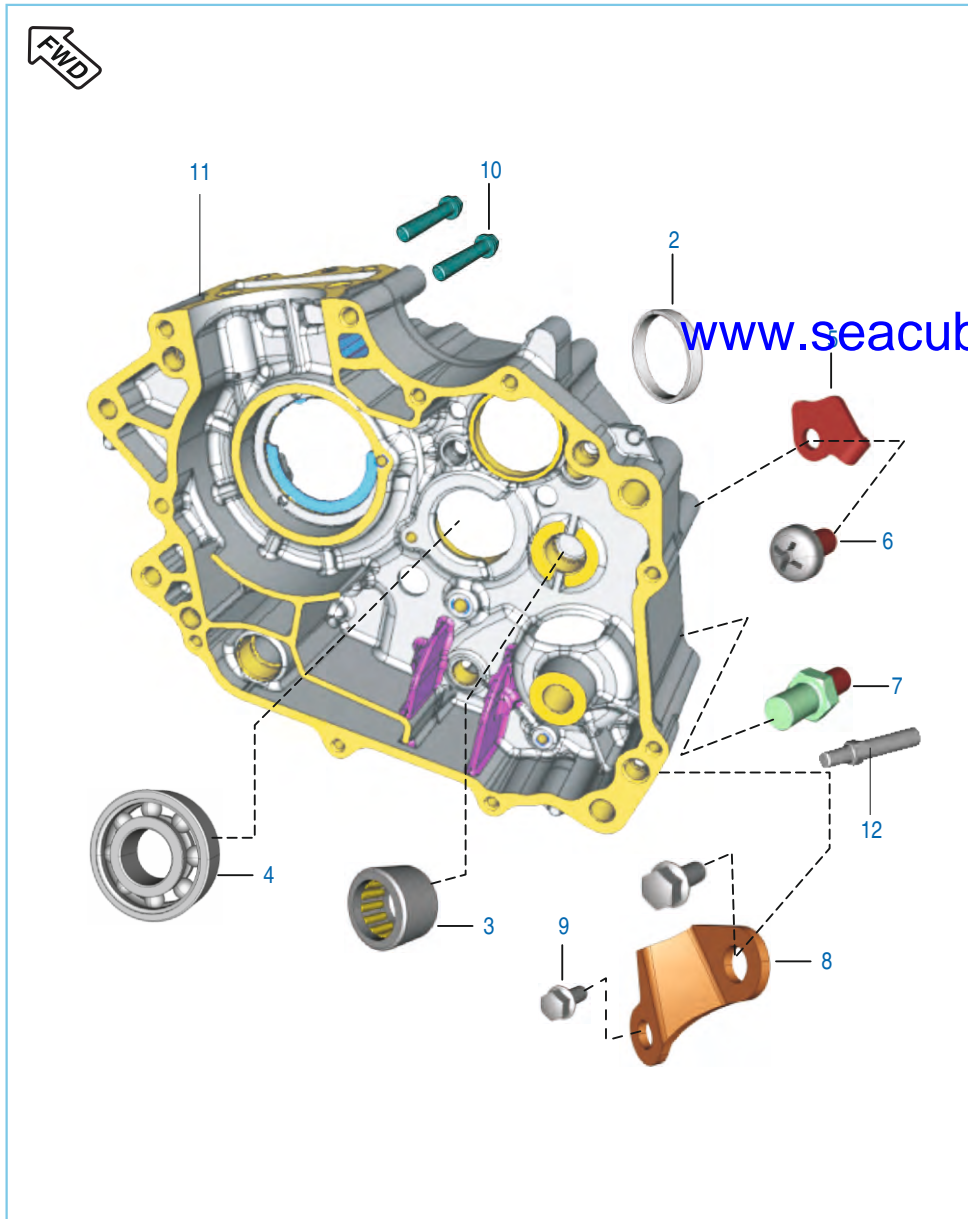
Gear Change Mechanism



No.	Part No.	Description	Qty.		Remarks
			ES	KS	
1	PF 5612 00	Lever Comp Gear Shift	1	1	
2	JW 5612 06	Extension Spring	1	1	
3	JW 5612 08	Spring Gear Shift Return	1	1	
4	LD B000 44	Washer	1	1	
5	JH 5612 00	Inhibitor Gear Shift	1	1	
6	PF 5612 03	Spring (Inhibitor)	1	1	
7	39 2453 04	Bolt - Flange : M6	1	1	
8	PF 5614 00	Gear Shift Lever	1	1	
9	DH 1015 09	Damper	1	1	
10	DG 1013 39	Damper	1	1	

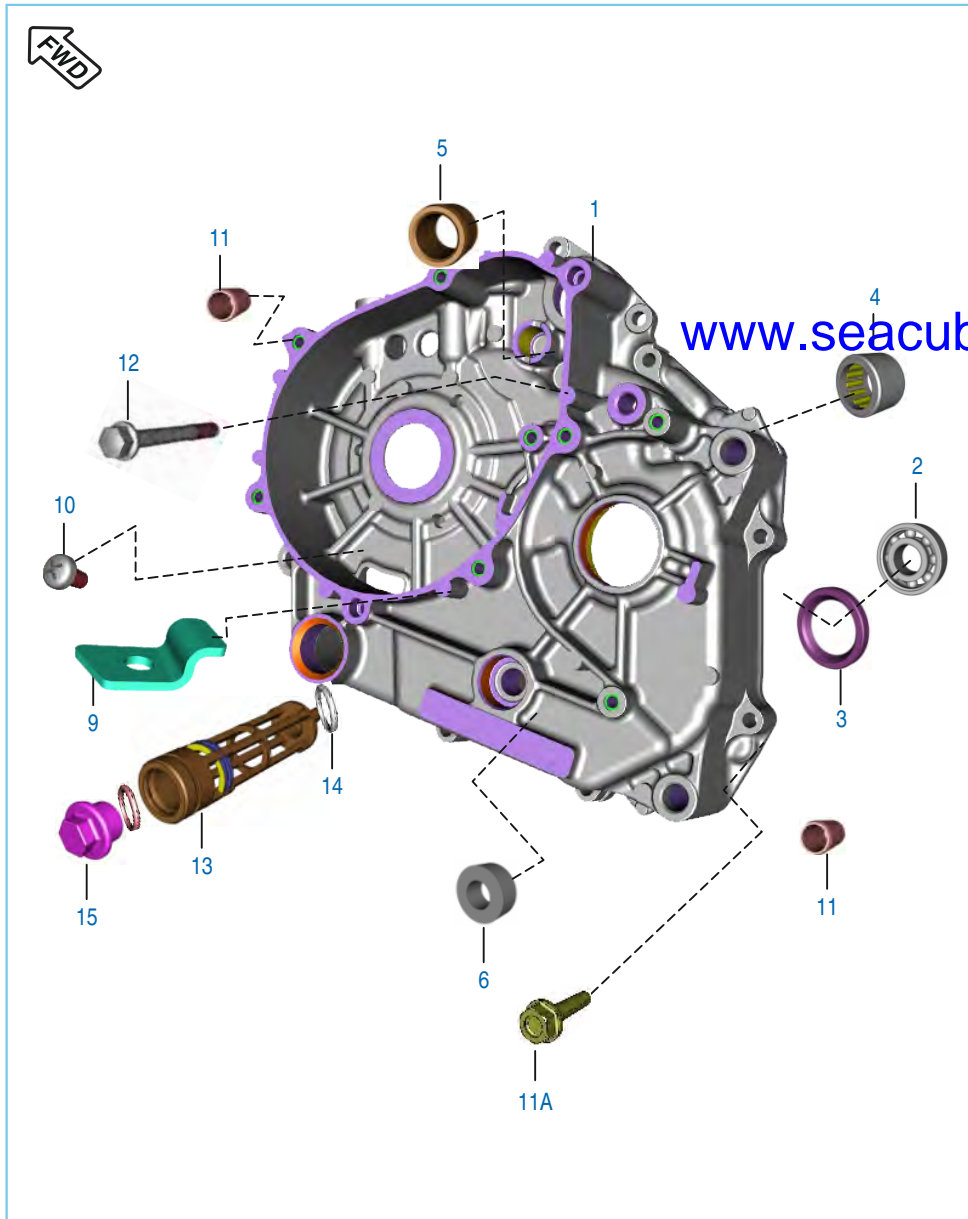
Plate No.: 10

Engine Assembly / Crankcase RH



No.	Part No.	Description	Qty.		Remarks
			ES	KS	
1	PF 5010 37	Engine Assly -ES	1	-	
	PF 5010 40	Engine Assly -KS	-	1	
2	PF 5410 18	Bushing Drum	1	1	
3	JA 5410 11	Needle Roller Bearing	1	1	
4	59 2000 36	Bearing - Ball 6203 HN3 C3	1	1	
5	JA 5410 10	Stopper plate input bearing	1	1	
6	DH 1013 80	Screw - Pan Pre-coated	1	1	
7	JA 5410 14	Bolt Shift Change	1	1	
8	JA 5410 12	Guide Kick	1	1	
9	39 1964 04	Bolt Flange	2	2	
	39 1740 04	Bolt	2	2	
10	JA 5412 35	Bolt	2	2	Ref. Cir. IB-259
11	PF 5410 31	Crankcase RH	1	1	
12	JE 5410 28	Pin	1	1	

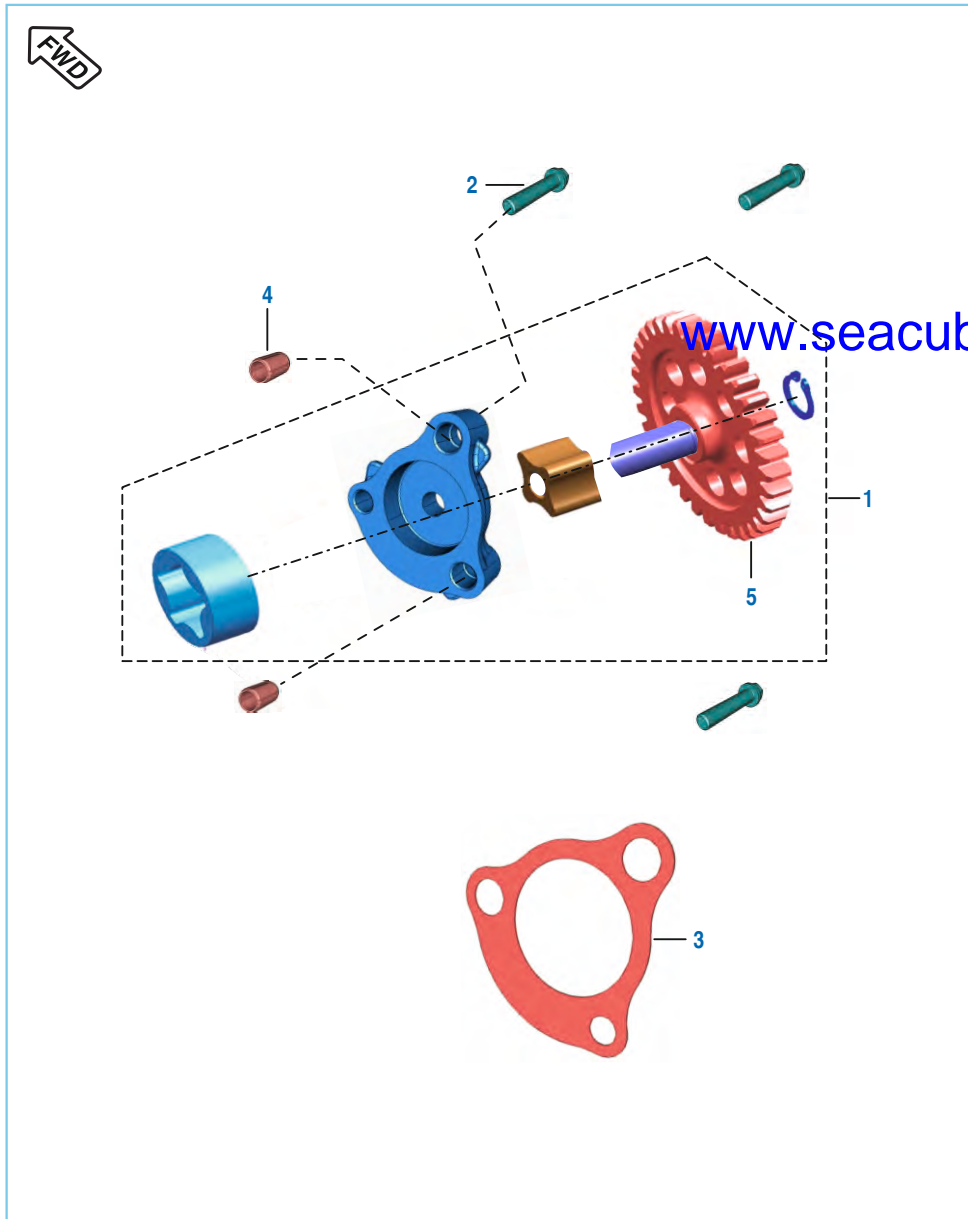
Crankcase LH



www.seacubemoto.com

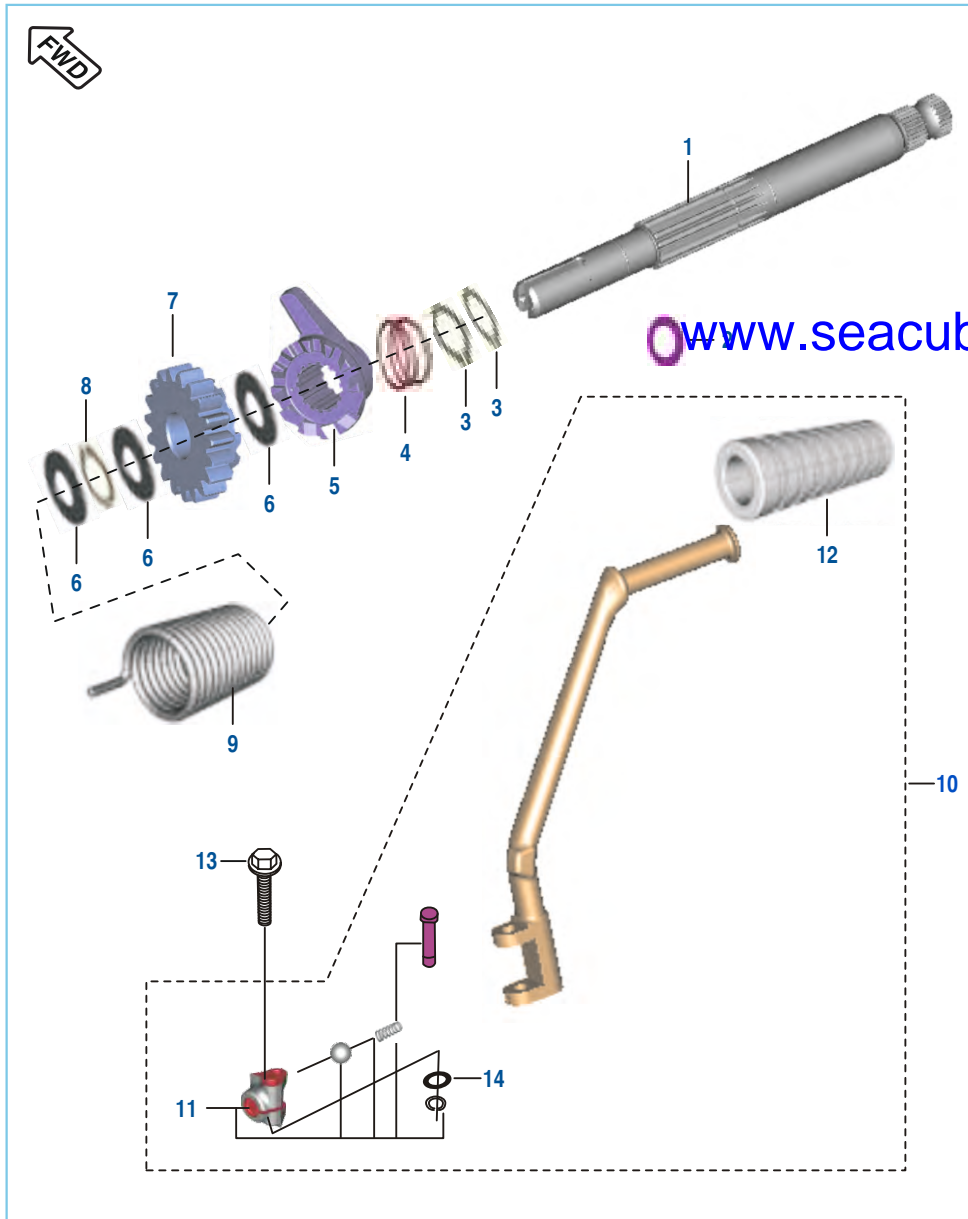
No.	Part No.	Description	Qty.		Remarks
			ES	KS	
1	PF 5410 29	Assly C' Case LH	1	-	
	PF 5410 42	Assly C' Case LH	-	1	
2	59 2000 36	Ball Bearing	1	1	
3	39 1715 19	Seal - Oil	1	1	
4	JA 5410 11	Bearing - Needle Roller	1	1	
5	JA 5410 05	Bush Bendix	1	1	
6	39 2190 19	Seal - Oil	1	1	
7	31 2010 81	Switch - Neutral	1	1	N.I.
8	DH 1012 64	Neutral Switch AL Washer	1	1	
9	PF 6214 02	Bracket Stopper Gear	1	1	
10	DH 1013 80	Screw Pan Cross - M6	1	1	
11	39 0999 06	Pin - Hollow Dowel	4	4	
11A	59 0400 38	Bolt Flange	8	8	
12	JA 5412 35	Bolt	2	2	
13	JG 5710 24	Mesh Oil Filter Assy_G2	1	1	With 'O' ring
14	LJ A000 04	'O' ring-Strainer	1	1	
15	JA 5410 21	Cap Strainer	1	1	
16	59 2100 23	'O' Ring Cap Strainer	1	1	
17	JE 5410 38	Damper	1	1	

Oil Pump



No.	Part No.	Description	Qty.		Remarks
			ES	KS	
1	JB 5710 05	Assembly Oil Pump	1	1	
2	FD 1010 78	Screw Pan Cross	3	3	
	DX 1010 69	Screw Pan Cross	3	3	alternate
3	JA 5410 16	Gasket Case Oil Pump	1	1	
4	39 0999 06	Pin Dowel	2	2	
5	JB 5710 06	Gear Oil Pump Driven	1	1	

Kick Starter Mechanism

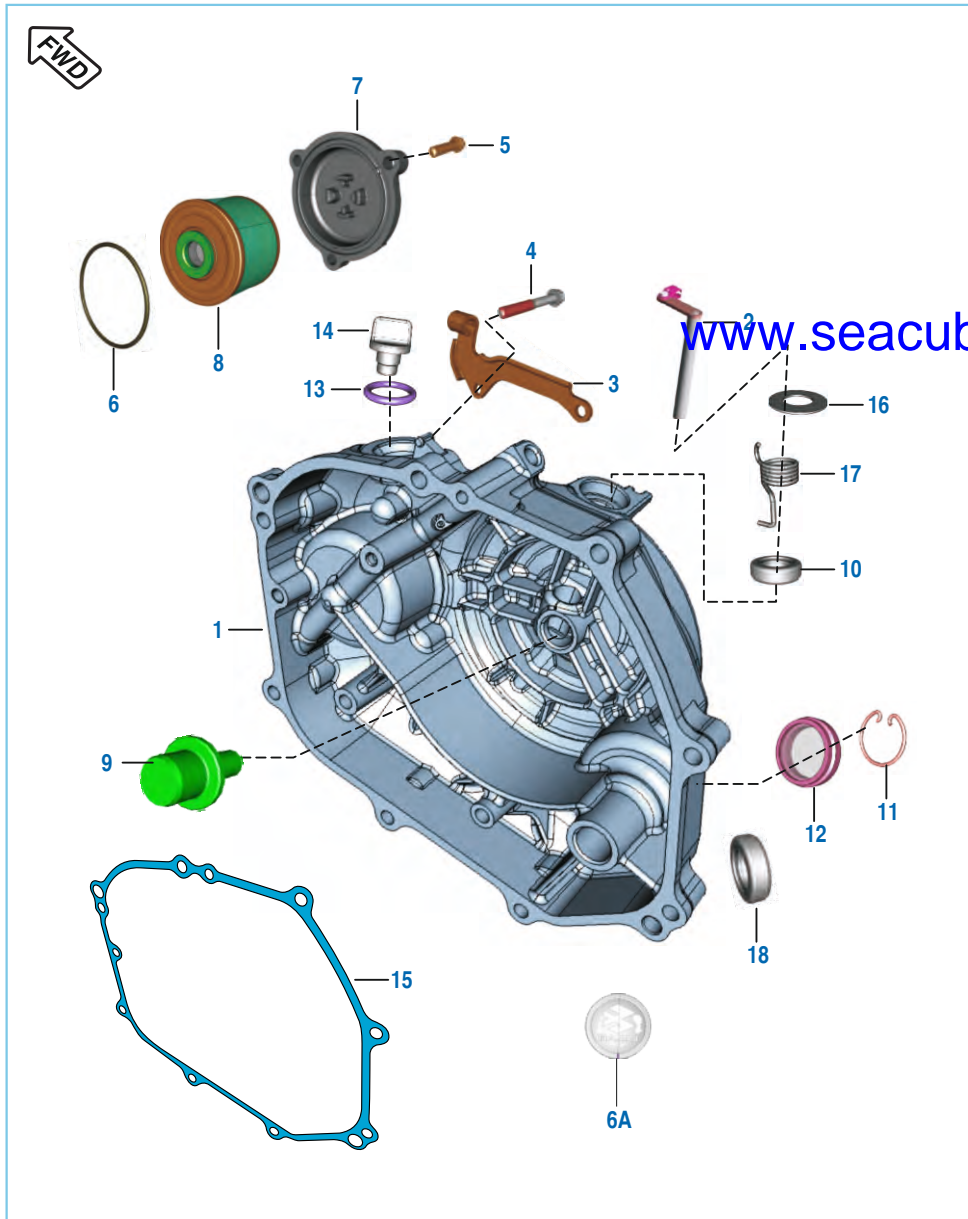


www.seacubemoto.com

No.	Part No.	Description	Qty.		Remarks
			ES	KS	
1	PF 6210 03	Kick Shaft	1	1	
2	JA 6210 06	Washer Thrust	1	1	
3	39 0738 17	Circlip	1	1	
4	DS 1011 17	Spring Kick Starter Ratchet	1	1	
5	JA 6210 02	Ratchet	1	1	
6	39 0993 11	Washer Plain	3	3	
7	PA 6210 05	Assly Gear Starter Pinion	1	1	
8	39 2408 17	External Circlip	1	1	
9	JE 6210 03	Spring Kick Return	1	1	
10	JA 6212 01	Assembly Kick Lever	1	1	
	PF 6212 00	Assembly Kick Lever	1	1	Ref. Cir. IB-259
11	36 DU10 07	Kit Boss Kick Lever	1	1	
12	DD 1010 97	Damper	1	1	
13	JA 6212 06	Bolt	1	1	
14	22 1502 41	Plain Washer	1	1	

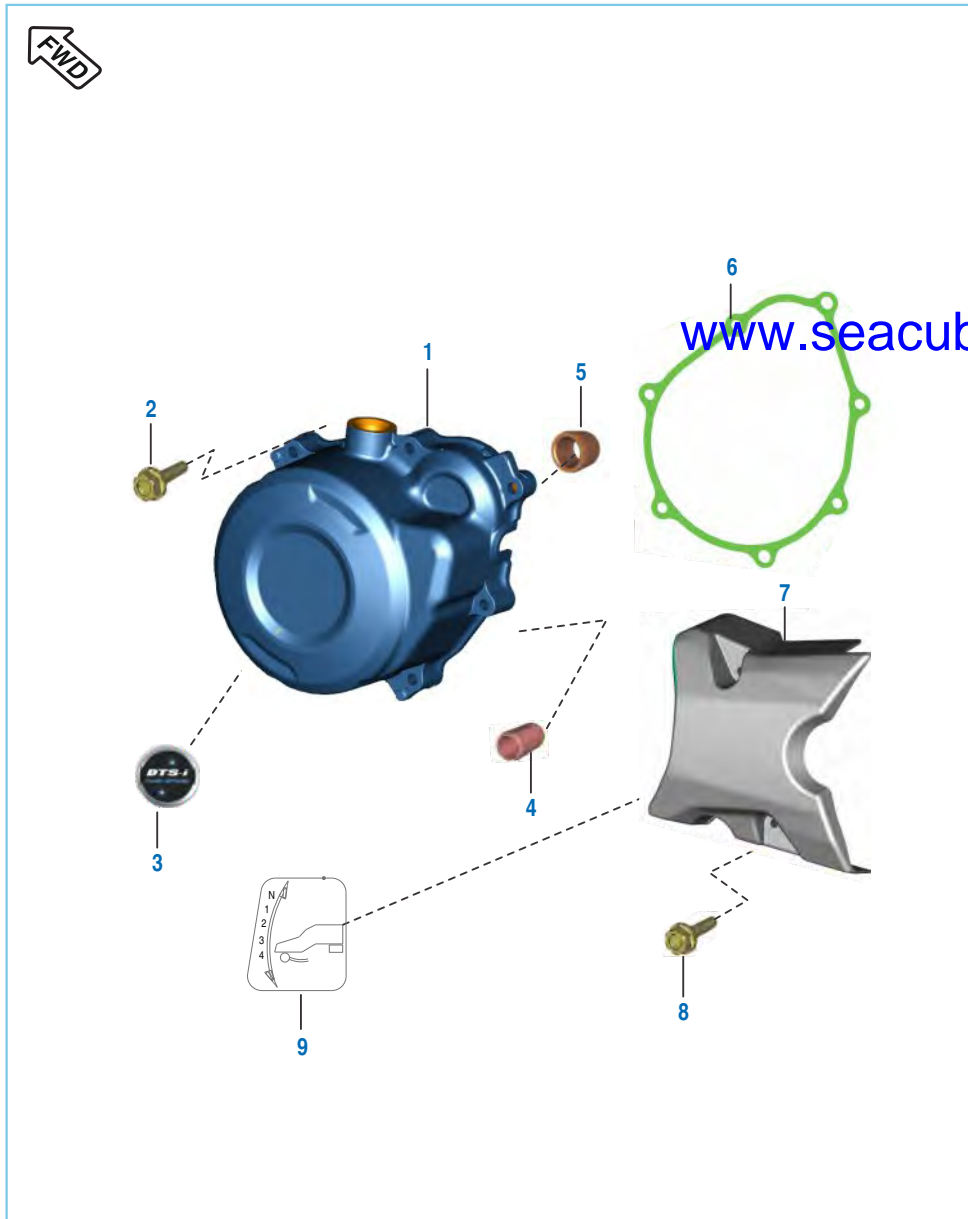


Cover Clutch



No.	Part No.	Description	Qty.		Remarks
			ES	KS	
1	36 Pf00 46	Kit Assly. Clutch Cover	1	1	
2	JW 5410 05	Shaft Clutch Release Assly	1	1	
3	PF 5412 43	Bracket Clutch Cable	1	1	
4	59 0400 38	Bolt - Flange : M6	9	9	
5	JA 5210 19	Bolt	3	3	
6	39 1671 21	Ring - 'O'	1	1	
6A	PF 5412 50	Label Clutch Cover	1	1	
7	JZ 5412 14	Cap Filter	1	1	
8	DD 1211 81	Element Oil Filter	1	1	
9	PF 5514 07	Rod-Push	1	1	
10	39 1041 19	Seal - Oil	1	1	
11	DS 1012 15	Clip - Wire	1	1	
12	JL 5412 27	Window Oil Gauge	1	1	
13	JA 5412 25	O Ring Cap Oil Filler	1	1	
14	JA 5412 11	Cap Oil Filler	1	1	
15	JA 5412 12	Gasket Clutch Cover	1	1	
16	JA 5412 36	Plain Washer (12.5X24X0.8)	1	1	
17	JA 5412 37	Spring Torsion Cl. Cover	1	1	
18	30 1011 42	Seal - Oil (Kick Shaft)	1	1	

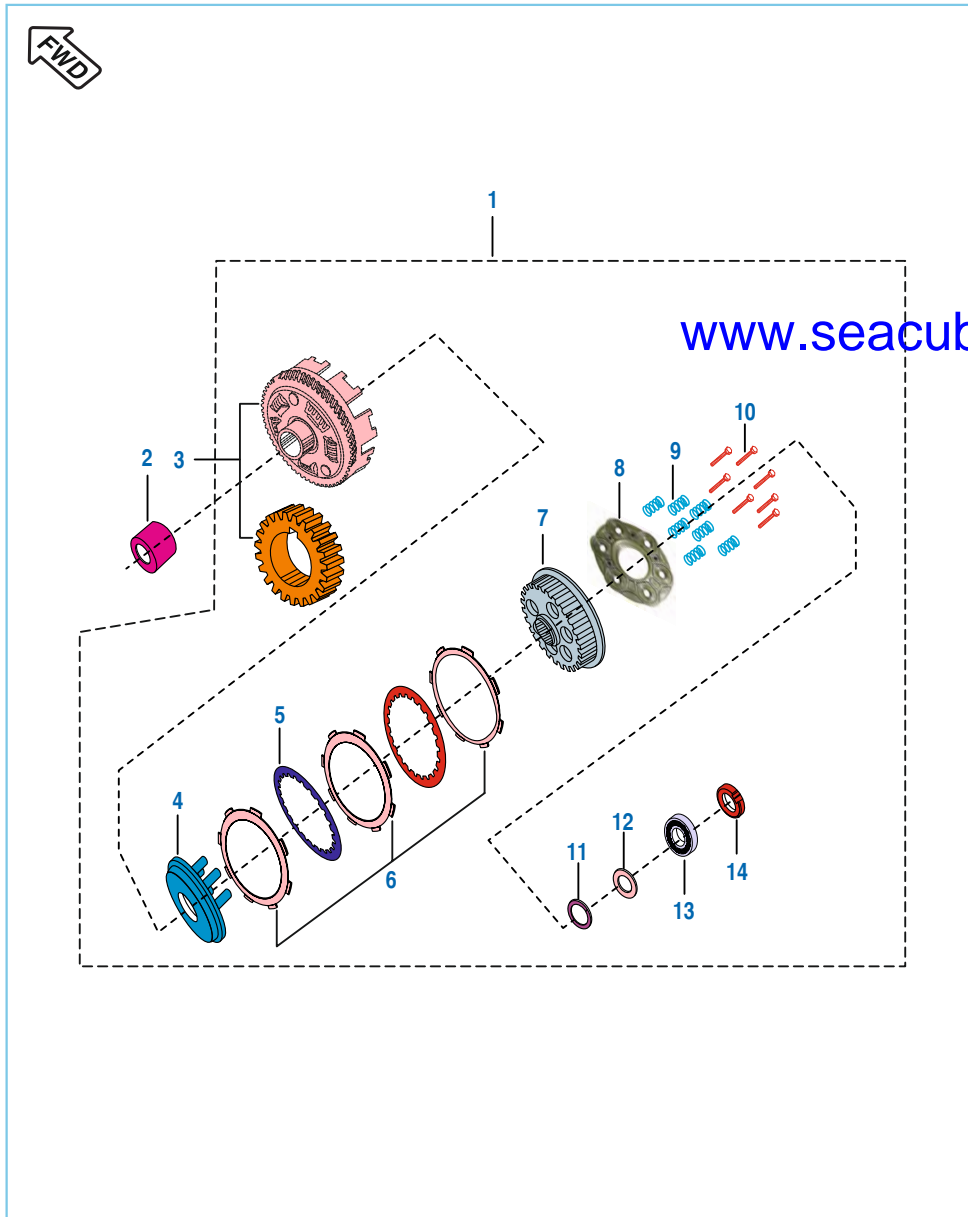
Cover Magneto



www.seacubemoto.com

No.	Part No.	Description	Qty.		Remarks
			ES	KS	
1	PF 5412 37	Assly Cover Magneto	1	-	
	PF 5412 46	Assly Cover Magneto	-	1	
2	59 0400 38	Bolt - Flanged : Small	7	7	
3	PF 5412 49	Label Mag Cover	1	1	
4	39 0999 06	Dowel	2	2	
5	JA 5410 05	Bush Bendix	1	1	
6	PF 5412 40	Gasket Magneto Cover	1	-	
	JP 5412 08	Gasket Magneto Cover	-	1	
7	PF 5412 44	Cover RR Assly,	1	-	
	PF 5412 48	Cover RR Assly,	-	1	
8	59 0400 38	Flange Bolt	2	2	
9	PF 5412 51	Gear Shift Label	1	1	
	DS 1611 50	Gear Shift Label	1	1	alternate

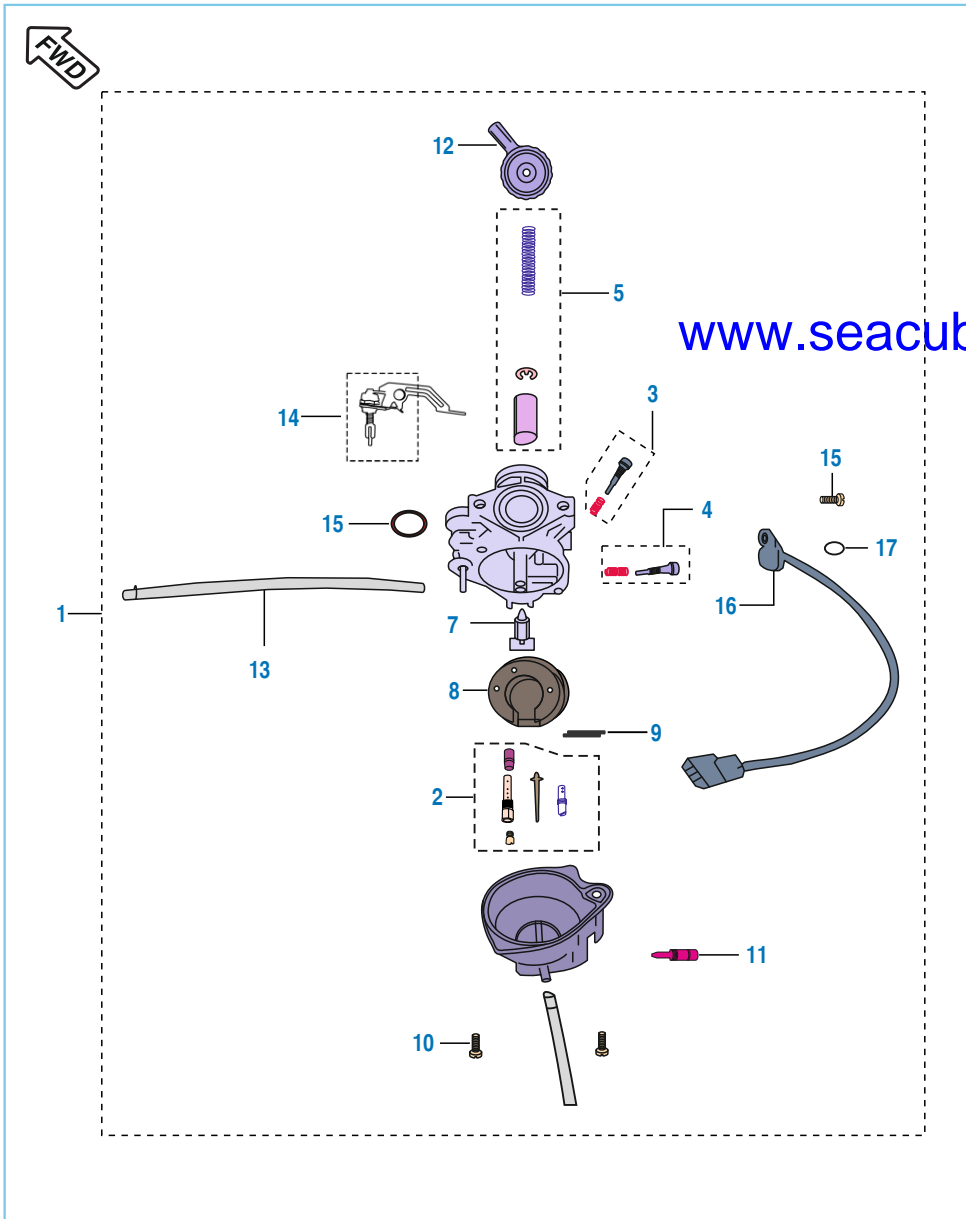
Clutch Assly



No.	Part No.	Description	Qty.		Remarks
			ES	KS	
1	PF 5514 12	Assembly Clutch	1	1	
	PF 5514 13	Assembly Clutch Makino	1	-	Ref. Cir. IB-229
2	JA 5514 06	Collar Clutch	1	1	
3	36 JZ00 23	Kit Primary Drive & Driven	1	1	
	36 PF00 88	Kit Primary Drive & Driven	1	-	Ref. Cir. IB-229
3A	39 2600 11	Washer Plain	1	1	
4	JB 5514 08	Wheel Clutch	1	1	
	PF 5514 28	Wheel Clutch	1	-	Ref. Cir. IB-229
5	30 1010 96	Plate Cutch	4	4	
	36 PF00 87	Kit Clutch Plate	1	-	Ref. Cir. IB-229
6	36 JE00 24	Kit Friction Plate	1	1	
	36 PF00 86	Kit Friction Plate	1	-	Ref. Cir. IB-229
7	PF 5514 11	Hub Clutch	1	1	
	PF 5514 26	Hub Clutch	1	-	Ref. Cir. IB-229
8	JB 5514 12	Clutch Holder	1	1	
	PF 5514 27	Clutch Holder	1	-	Ref. Cir. IB-229
9	28 1012 14	Compression Spring	6	6	
	PF 5514 23	Compression Spring	6	-	Ref. Cir. IB-229
10	39 0980 04	Flange Upset	6	6	
	PF 5514 22	Flange Upset	6	-	Ref. Cir. IB-229
11	JA 5514 20	Washer Plain	1	1	
12	JE 5514 09	Washer Belleville	1	1	
13	39 1001 20	Bearing - Ball	1	1	
14	JA 5310 07	Nut Crankshaft M14	1	1	

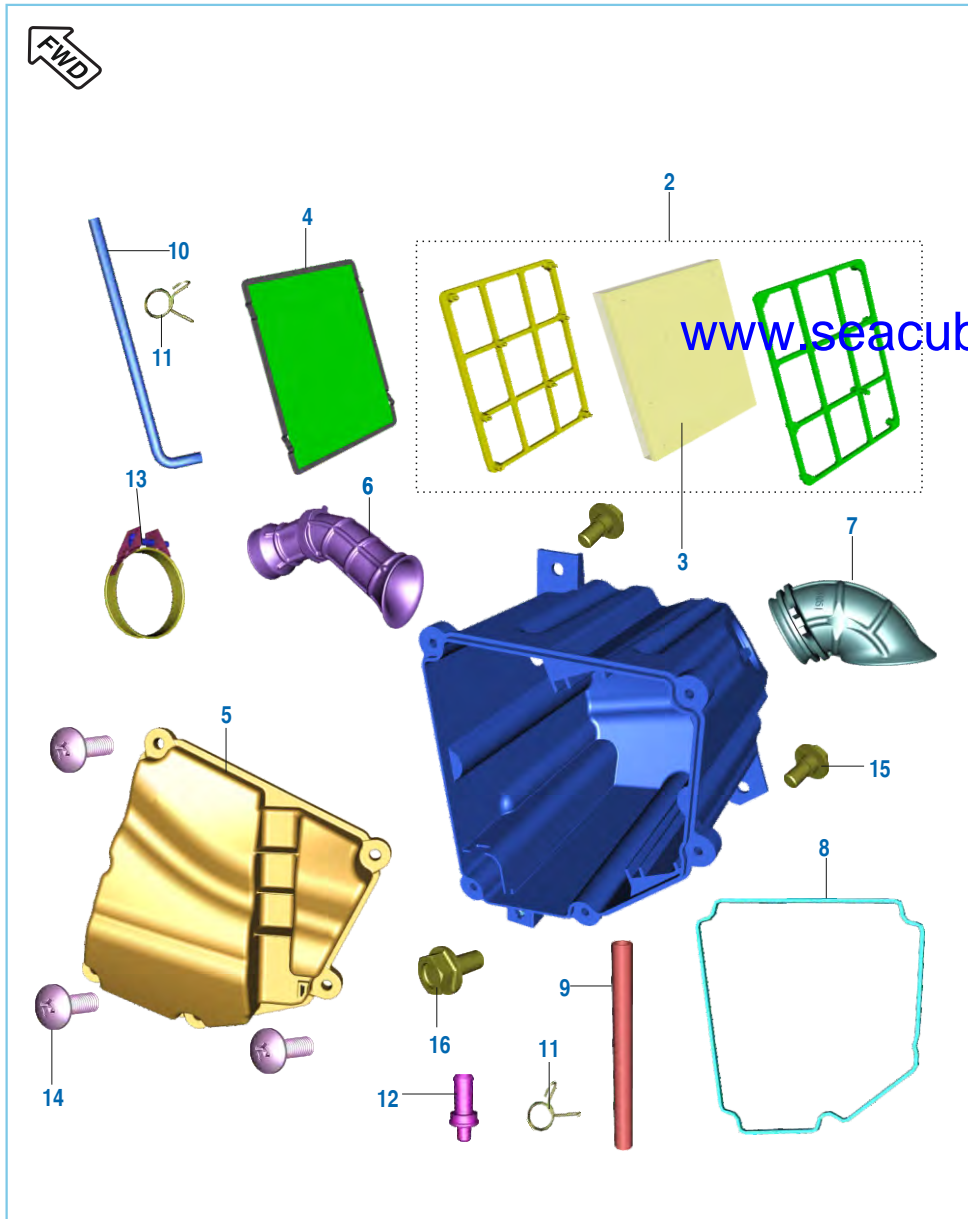
Plate No.: 17

Carburetor Assembly



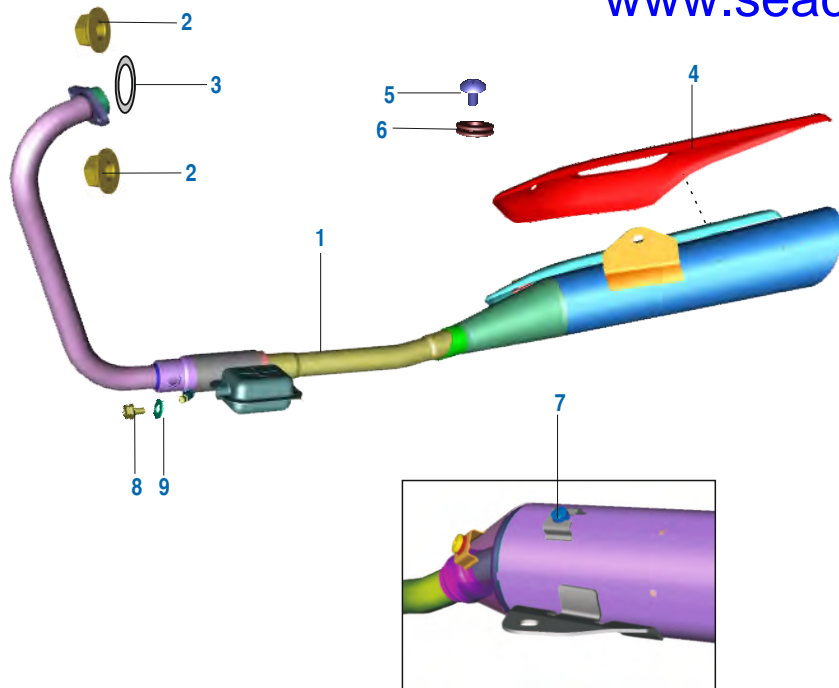
No.	Part No.	Description	Qty.		Remarks
			ES	KS	
1	PF 5812 15	Assembly Carburetor	1	1	
2	36 PF00 42	Kit Carb Jet	1	1	
3	36 JB00 22	Kit Carb Air Screw / Slow Jet	1	1	
4	36 PA00 13	Kit Carb Idling Screw	1	1	
5	36 PA00 14	Kit Carb Throttle Valve	1	1	
6	36 PA01 08	Kit O Ring & Gasket	1	1	
7	JB 5812 29	Valve Comp Float	1	1	
8	JB 5812 30	Float	1	1	
9	JB 5812 56	Arm Pin Float	1	1	
10	PA 5812 21	Screw Float Chamber	2	2	
11	JB 5812 60	Drain Screw	1	1	
12	JB 5812 37	Adjuster Cable	1	1	
13	JB 5812 58	Tube Air Vent	1	1	
14	PF 5813 09	Lever Complete Starter	1	1	
15	JB 5812 48	Screw - Washer	1	1	
16	JB 5812 02	Sensor Throttle Position	1	1	
17	JB 5812 04	O-Ring TPS	1	1	

Air Filter Assembly



No.	Part No.	Description	Qty.		Remarks
			ES	KS	
1	PF 5810 38	Assembly Air Filter	1	1	
2	PF 5810 45	Assly Cartridge	1	1	
3	PF 5810 44	Foam Element Air Filter	1	1	
4	PF 5810 46	Arrester Flame	1	1	
5	PF 5810 40	Cover Side	1	1	
6	PF 5810 52	Tube Connecting	1	1	
7	PF 5810 51	Duck Intake	1	1	
8	PF 5810 49	Ring Seal Air Filter Cover	1	1	
9	PF 5810 48	Drain Tube	1	1	
10	PF 5810 47	Tube Breather	1	1	
11	DP 1210 25	Clip	3	3	
12	DS 1211 26	Plug	1	1	
13	DH 1210 38	Clamp	1	1	
14	PA 5810 53	Top Cover Screw	5	5	
15	DP 1610 94	Bolt Stepped	2	2	
16	KA Df06 14	Bolt Step	1	1	

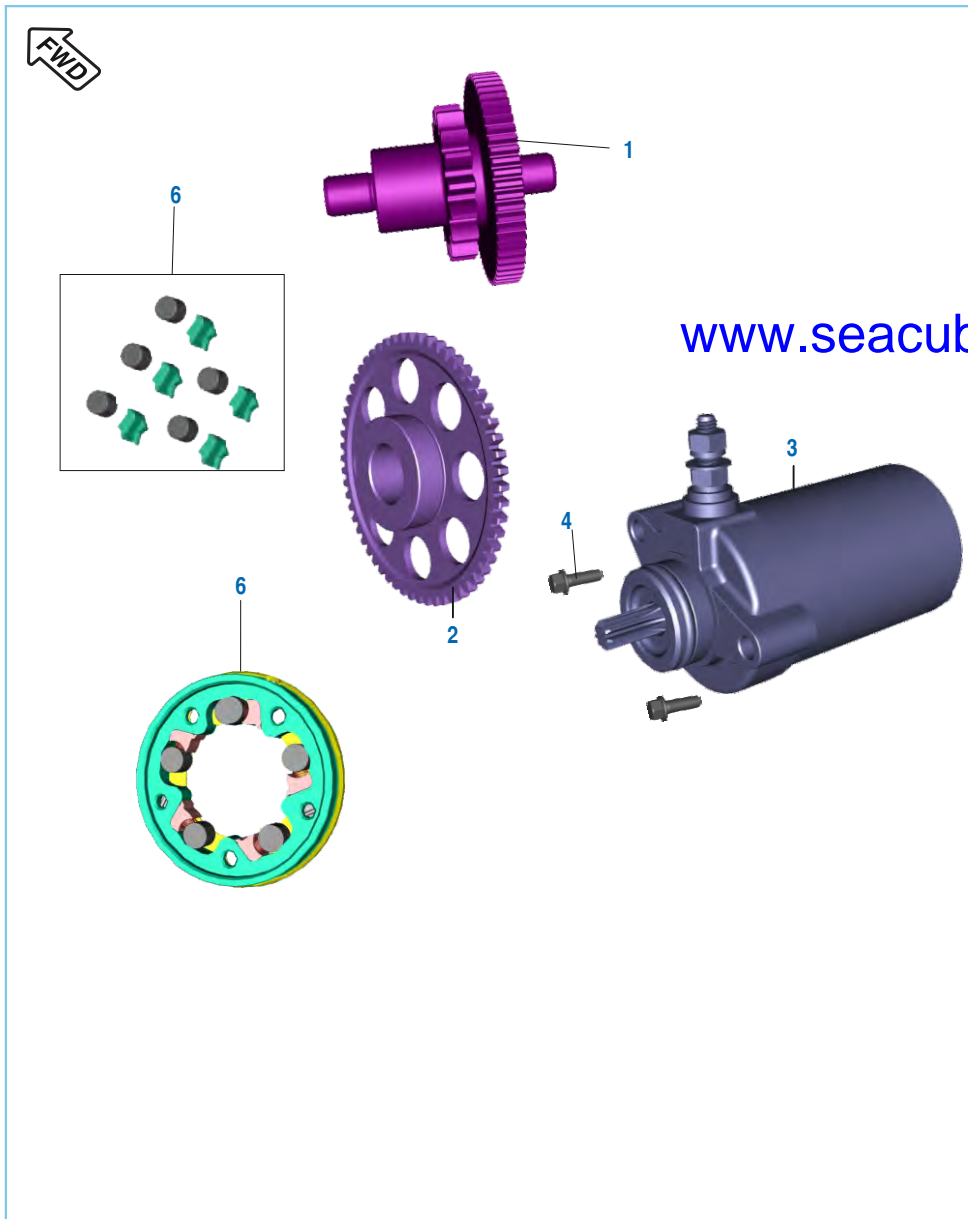
Silencer Assembly



www.seacubemoto.com

No.	Part No.	Description	Qty.		Remarks
			ES	KS	
1	YP F080 01	Silencer Assembly w/o Shield	1	1	
2	JA 5910 40	Nut- U	1	1	
	39 2295 15	Nut- U	1	1	Ref. Cir. IB-259
3	JE 5910 02	Gasket Exhaust	1	1	
4	PF 5911 46	Shield Silencer	1	1	
5	JW 5910 28	Truss Screw Pre coated	2	2	
6	DH 1013 01	Seal Shield Muffler	2	2	
7	JW 5910 30	Grommet Shield	1	1	
8	DK 1016 10	Bolt	1	1	
9	39 2492 11	Plain Washer	1	1	

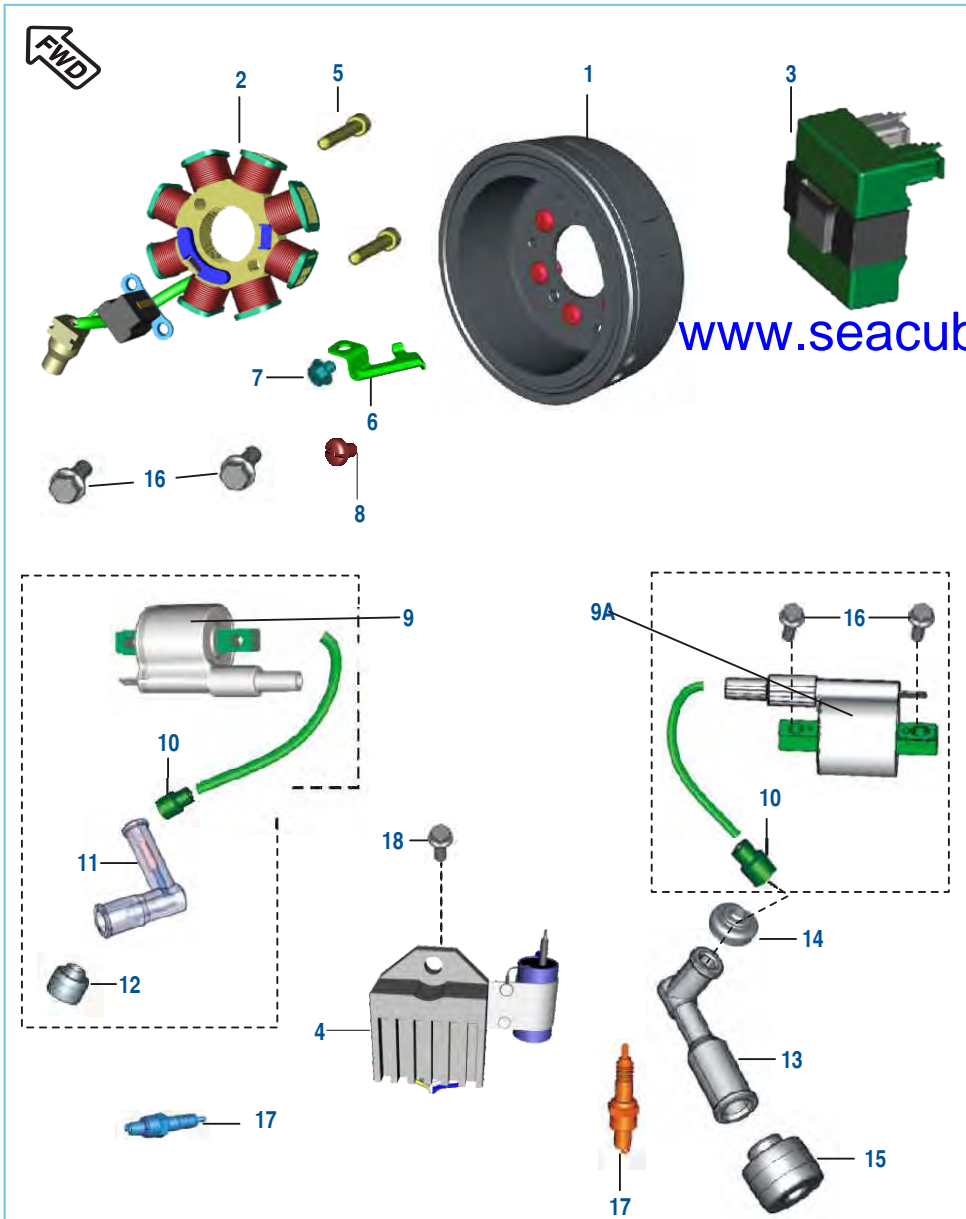
Starter Assembly



No.	Part No.	Description	Qty.		Remarks
			ES	KS	
1	PF 6214 00	Starter Drive Assly.	1	-	
2	PF 6214 03	Assly Gear Starter Clutch	1	-	
3	PF 3516 01	Starter Motor	1	-	
4	LA D000 11	Bolt Flange	2	-	
5	DK 1015 95	Body Complete Starter Clutch	1	-	
6	36 JZ01 32	Kit Starter Clutch Repair	1	-	

Plate No.: 21

Magneto, CDI & H.T. Coil

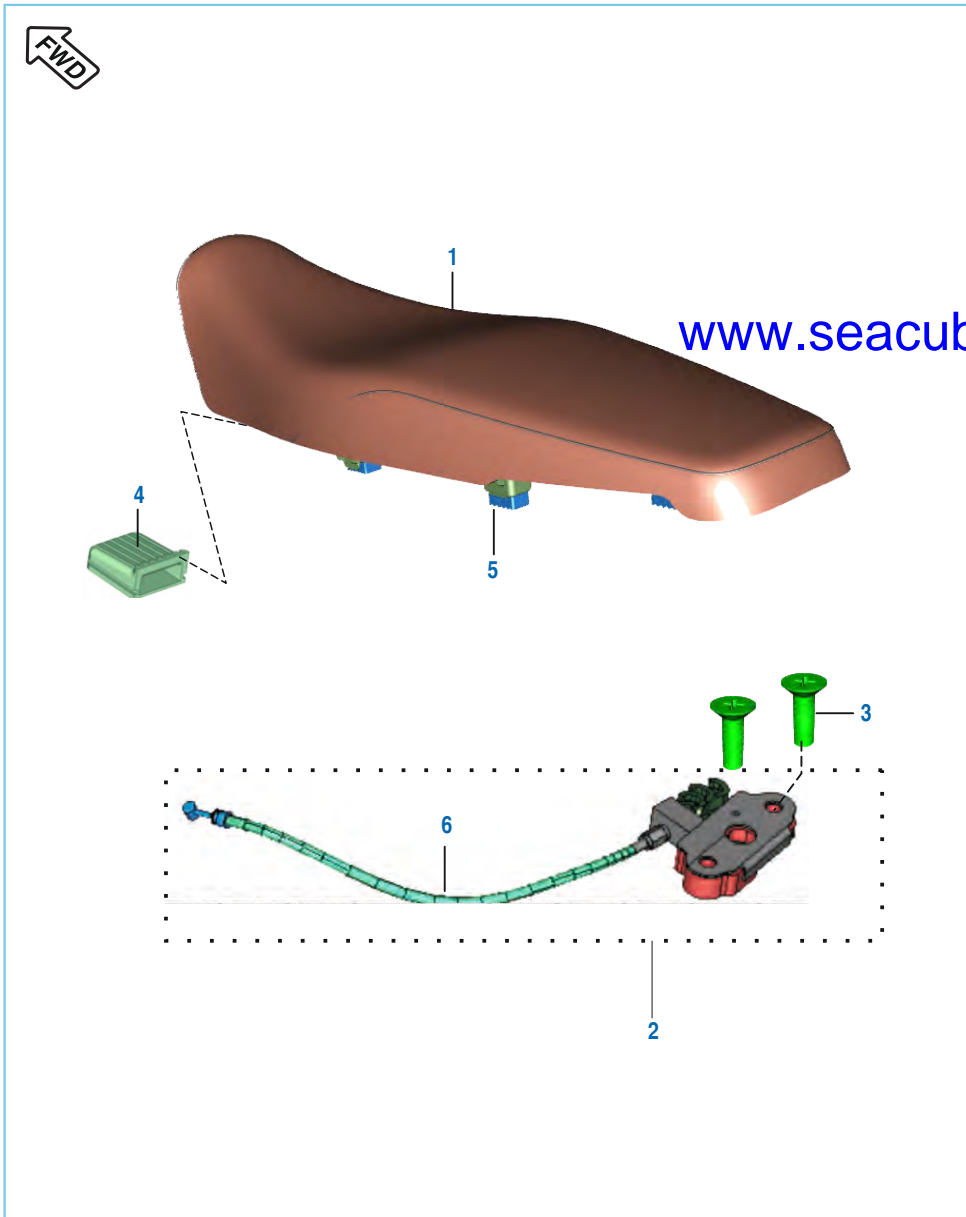


www.seacubemoto.com

No.	Part No.	Description	Qty.		Remarks
			ES	KS	
1	PF 3510 13	Rotor Assly -ES	1	-	
	PF 3510 15	Rotor Assly -KS	-	1	
2	PF 3510 17	Stator Assembly	1	1	
3	PF 3512 06	CDI	1	1	
4	PF 4020 00	Regulator Rectifier	1	1	
5	LA C000 52	Bolt Socket	2	-	
	JE 5410 42	Bolt Socket	-	2	
6	PF 5412 42	Bracket Stator Harness-ES	1	-	
	JA 5410 28	Lock Plate- KS	-	1	
7	DH 1013 80	Pan Head Screw - Pick up coil	2	2	
8	KB AB0608	Screw Pan - Bracket Stator	1	1	
9	PF 3512 17	Coil HT - 1	1	1	
9A	PF 3512 19	Coil HT - 2	1	1	
10	DD 1110 12	Grommet HT Coil	2	2	
11	DD 1110 48	Spark Plug Cap LH	1	1	
12	DD 1110 11	Grommet Spark Plug Cap LH	1	1	
13	DH 1110 15	Cap Spark Plug RH	1	1	
14	JD 3512 06	Grommet Sleeve Plug Cap	1	1	
15	DH 1110 13	Grommet Spark Plug	1	1	
16	KA Df0616	Bolt Flanged	4	4	
17	CF 1110 19	Plug- Spark Bosch	2	2	
	DD 1110 18	Plug- Spark Champion	2	2	
18	39 1943 04	Bolt Regulator Mtg	1	1	

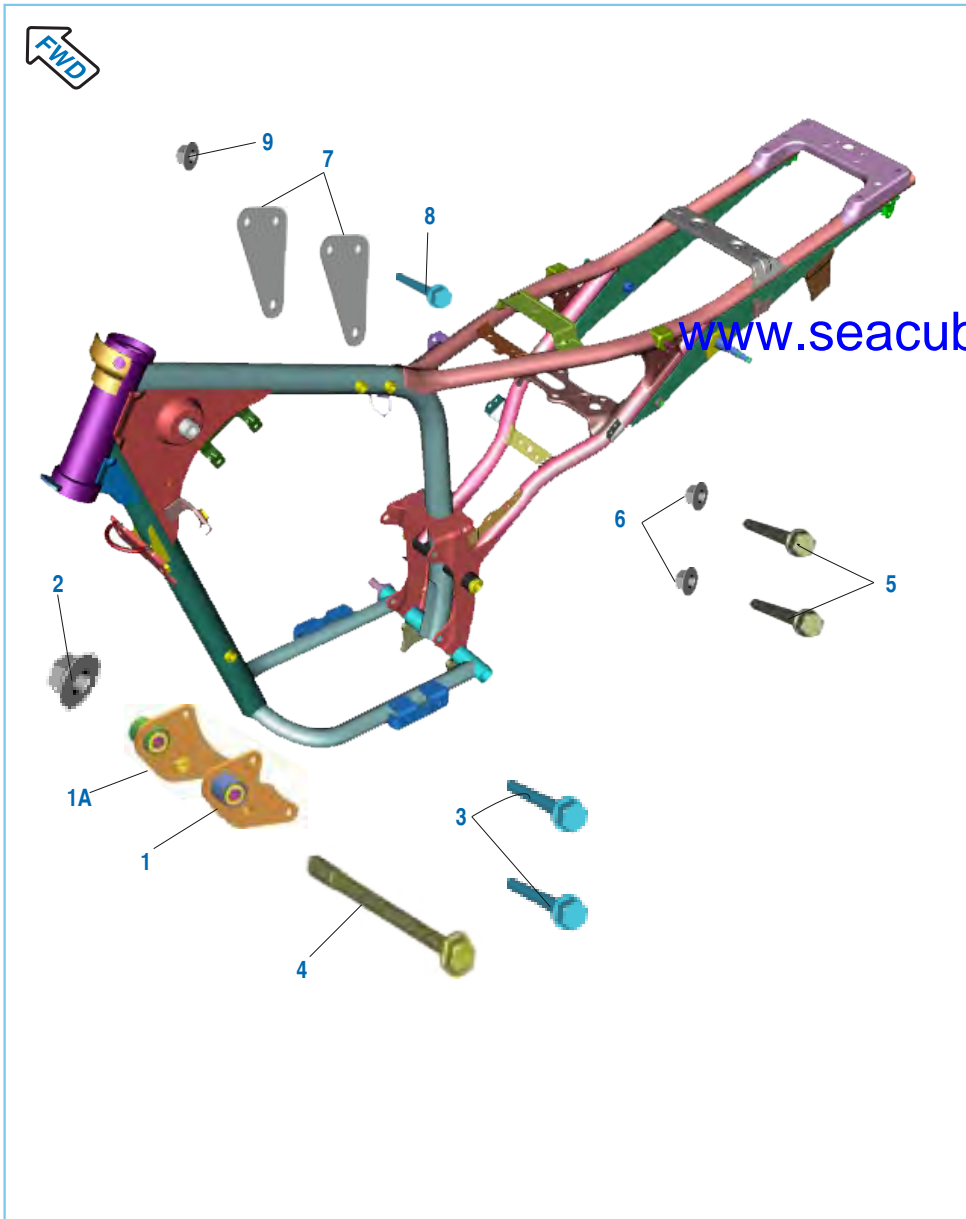


Seat Assembly / Seat Lock



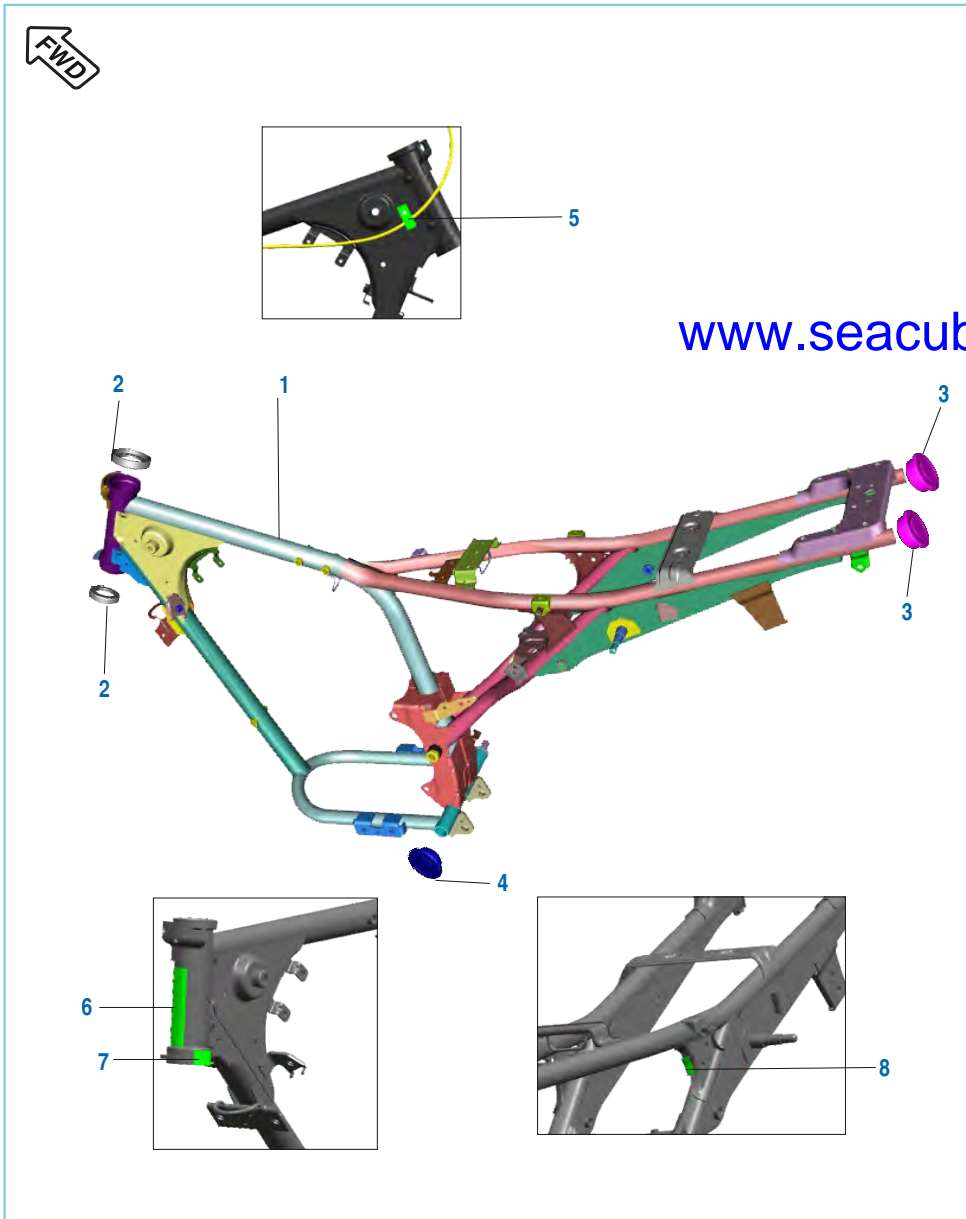
No.	Part No.	Description	Qty.		Remarks
			ES	KS	
1	PF 1910 11	Seat Assly. Comp	1	1	
2	PA 1612 11	Lock- Assly.	1	1	
3	39 0743 01	Screw CSK Cross M6	2	2	
4	DK 2110 07	Damper Seat Front	1	1	
5	JK 1910 05	Damper Seat	9	9	
6	PA 1612 07	Cable Seat Lock	1	1	

Engine Mountings



No.	Part No.	Description	Qty.		Remarks
			ES	KS	
1	PA 1134 16	Bracket Engine Mtg. Front LH	1	1	
1A	PA 1134 17	Bracket Engine Mtg. Front RH	1	1	
2	LC G000 01	Nut- Hex with Flange	3	3	
3	LA D000 01	Bolt Flange M8 L75	3	3	
4	LA D001 21	Bolt Flanged	1	1	
5	JA 1134 03	Flanged Bolt M10X110	2	2	
6	36 1225 15	Nut Flanged M10 Olive	2	2	
7	PF 1134 03	Bracket Engine Mtg Top LH	2	2	
8	LA D000 48	Bolt Flanged	3	3	
9	KC Ga08 08	Hex Nut Flanged	3	3	

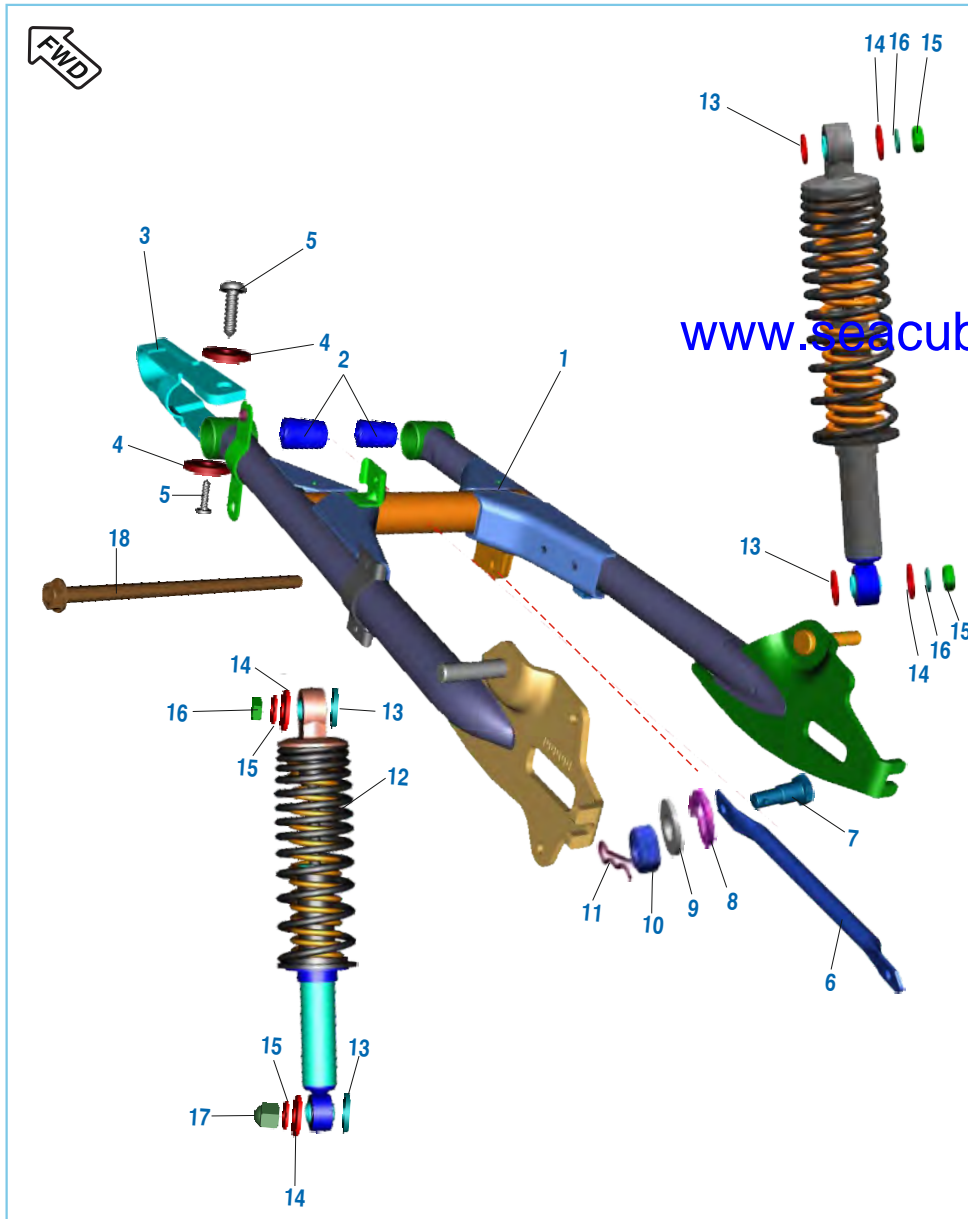
Frame and Frame Fittings



[www.seacubemoto.com](http://www.seacubemoto.com)

No.	Part No.	Description	Qty.		Remarks
			ES	KS	
1	PF 1110 60	Frame Assembly	1	1	
2	36 3140 01	Kit Steering Cone	1	1	
3	PF 1110 92	Cap For Tube End	2	2	
4	PF 1110 96	Cap For Tube End	1	1	
5	DK 2010 49	Harness Clamp	1	1	
6	DU 1611 96	Tape- Frame	1	1	
7	JZ 1112 92	Tape Frame Head Pipe	1	1	
8	JB 1812 23	Beading Speedo Flap	1	1	

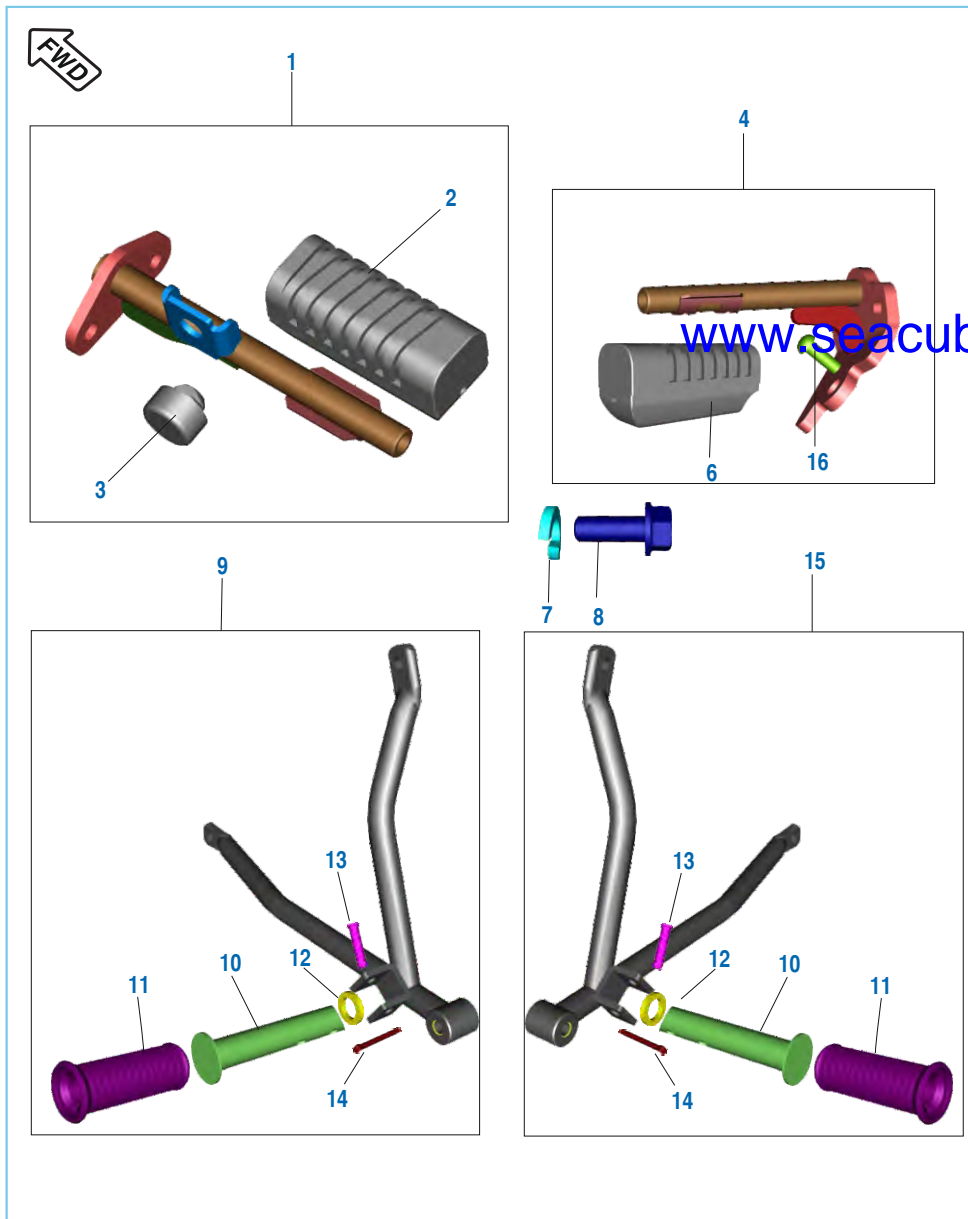
Swing Arm / Rear Shock Absorber



www.seacubemoto.com

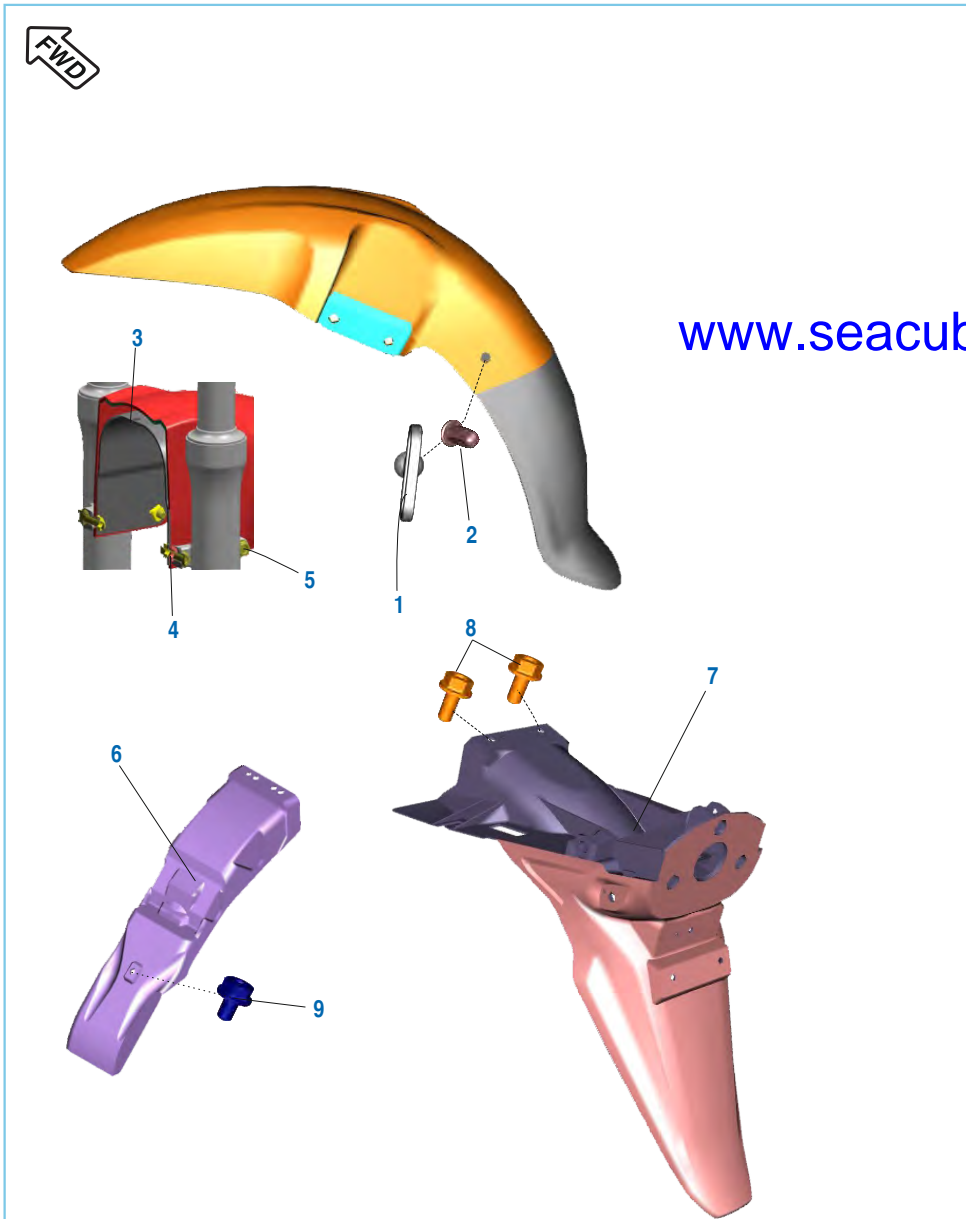
No.	Part No.	Description	Qty.		Remarks
			ES	KS	
1	PF 1220 14	Swing Arm Assly.	1	1	
2	DP 1710 06	Silent Bush	2	2	
3	DZ 1710 09	Chain Slider	1	1	
4	39 0454 11	Plain Washer	2	2	
5	39 0553 02	Self Tapping Screw	2	2	
6	PF 1220 19	Rod Torque	1	1	
7	DH 1510 29	Step Bolt TRQ Rod	1	1	
8	39 0789 12	Washer Spring	1	1	
9	39 1540 11	Plain Washer	1	1	
10	39 0694 15	Hex. Lock Nut - M8 X1.25	1	1	
11	39 0807 08	Pin Snap	1	1	
12	Pf 1220 12	Shock Absorber Rear	2	2	
13	39 0781 11	Plain Washer	2	2	
14	DG 1710 25	Plain Washer	6	6	
15	39 2726 12	Washer- Spring	4	4	
16	39 1336 15	Nut Hex. M 10 X 1.25	3	3	
17	39 2366 15	Domed Cap Nut	1	1	
18	JA 1210 03	Shaft Swing Arm	1	1	

Rider/ Pillion Foot Rest



No.	Part No.	Description	Qty.		Remarks
			ES	KS	
1	PF 1130 13	Assly. Main Step RH	1	1	
2	PF 1130 28	Damper Rider Footrest	1	1	
3	DG 1612 24	Damper	1	1	
4	PF 1130 12	Assly. Main Step LH	1	1	
6	PF 1130 28	Damper Rider Footrest	1	1	
7	KD CB08 16	Washer Spring	2	2	
8	KA DD08 20	Bolt Flanged	4	4	
9	PF 1130 14	Stay Assly. Pillion LH	1	1	
10	DP 1611 70	Step(Pillion Footrest)	2	2	
11	JK 1130 08	Rubber Pillion	2	2	
12	DP 1611 63	Washer For Rear Foot Step	2	2	
13	30 1710 22	Pin	2	2	
14	39 0784 08	Pin- Split	2	2	
15	PF 1130 16	Stay Pillion rH	1	1	
16	LA D001 26	Bolt	1	1	

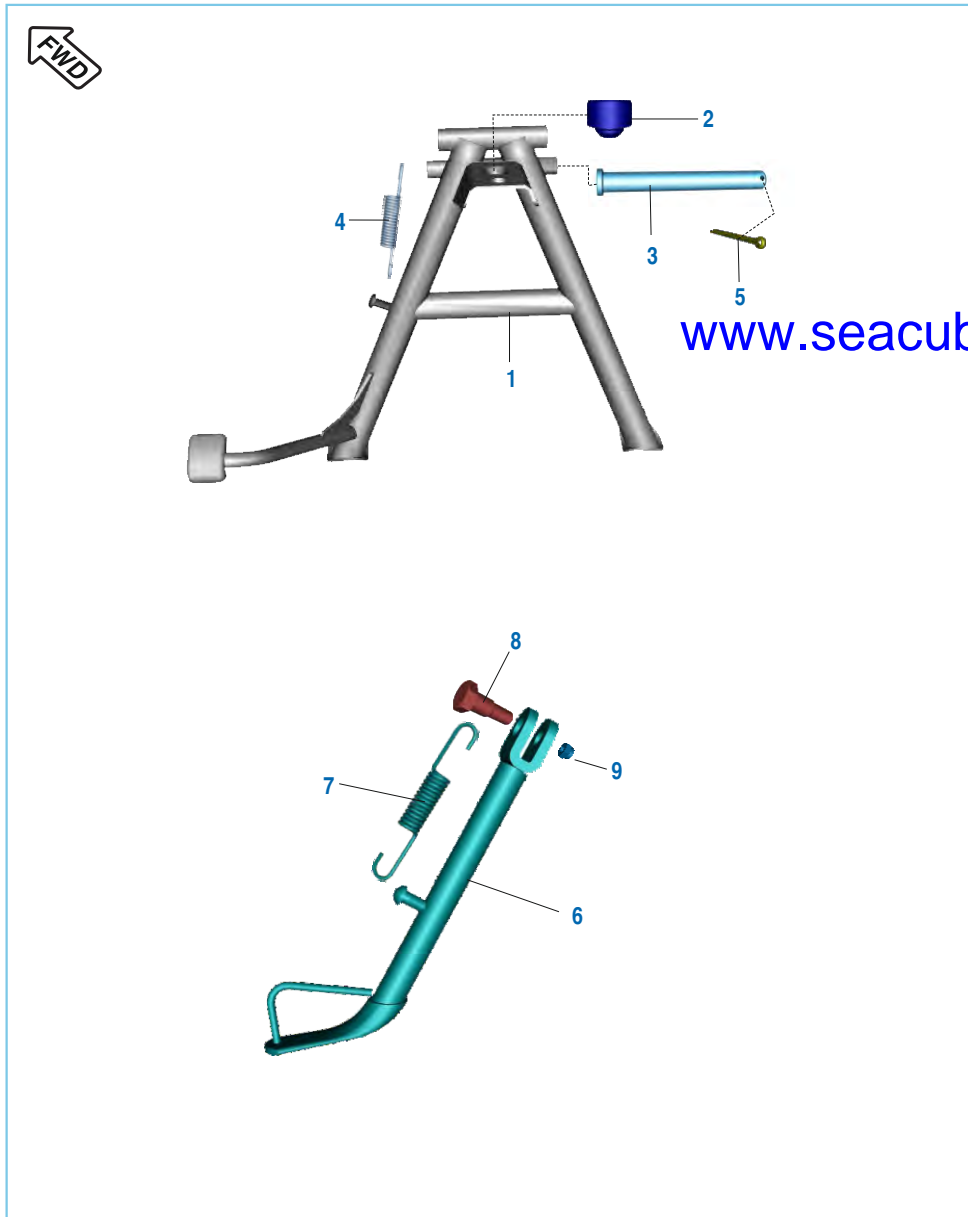
Fender - Front & Rear



[www.seacubemoto.com](http://www.seacubemoto.com)

No.	Part No.	Description	Qty.		Remarks
			ES	KS	
1	DS 1611 25	Cable Guide	1	1	
2	DJ 1610 69	Nail Cable Guide	1	1	
3	PF 1814 23	Brace Fender Front	1	1	
4	PF 1814 16	Collar	1	1	
5	KA DF06 25	Bolt Flanged	1	1	
6	PF 1814 24	Fender Rear Front	1	1	
7	PF 1814 22	Fender Rear Rear	1	1	
8	KA DF06 14	Bolt Flanged	2	2	
9	KA DF06 10	Bolt Flanged	1	1	

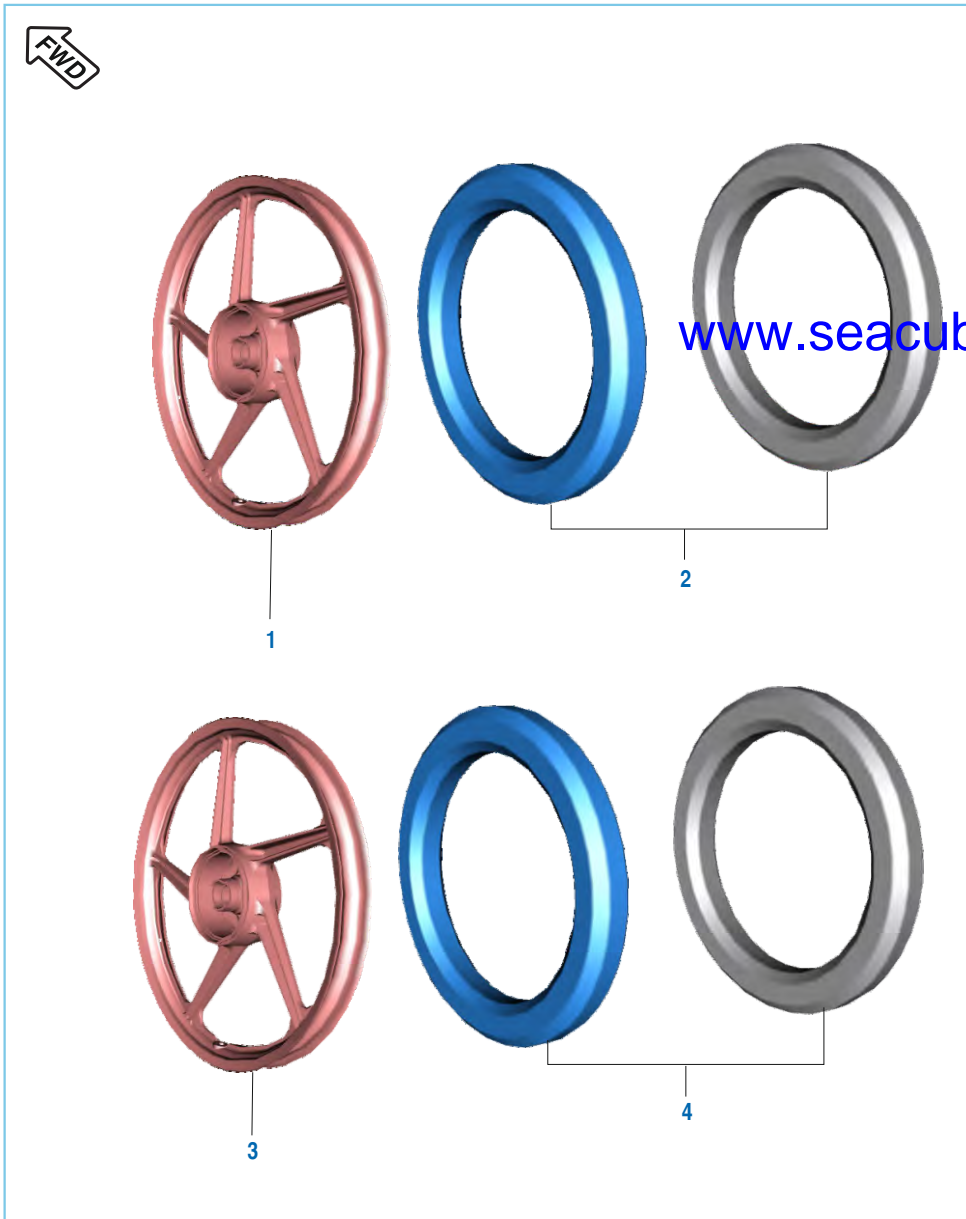
Stand Assembly



[www.seacubemoto.com](http://www.seacubemoto.com)

No.	Part No.	Description	Qty.		Remarks
			ES	KS	
1	PF 1132 03	Stand Center	1	1	
2	DG 1611 24	Damper Center Stand	1	1	
3	30 1611 57	Shaft Center Stand	1	1	
4	DH 1611 21	Spring Main stand	1	1	
5	KH AA32 35	Pin Cotter	1	1	
6	JA 1132 02	Side Stand	1	1	
7	DH 1610 66	Spring Side Stand	1	1	
8	DF 1611 02	Bolt	1	1	
9	39 0422 15	Nut Nyloc M10	1	1	

Tube / Tyre / Rim

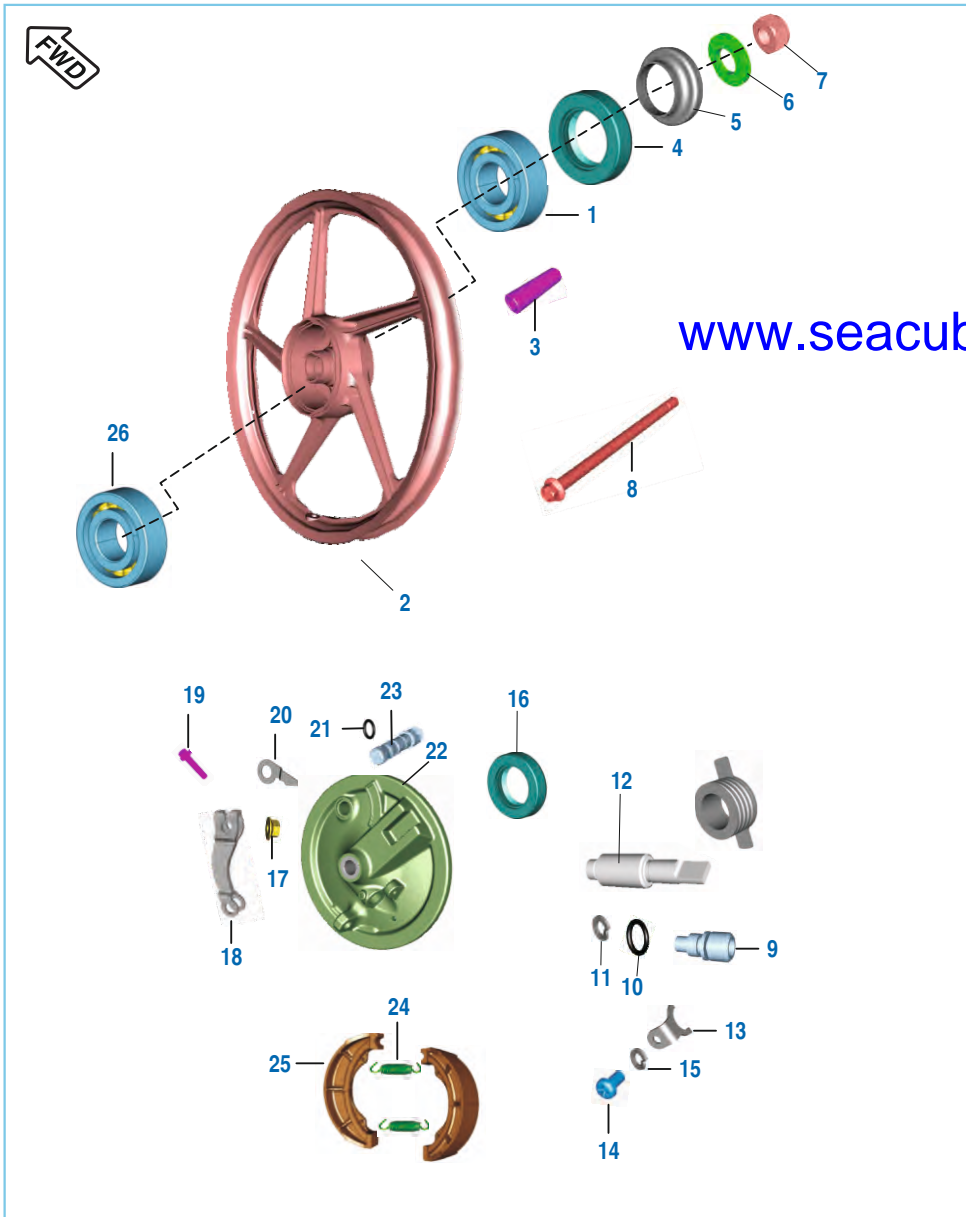


[www.seacubemoto.com](http://www.seacubemoto.com)

No.	Part No.	Description	Qty.		Remarks
			ES	KS	
1	JK 1310 37	Wheel Front 1.4X17	1	1	
2	DM 1510 24	Tyre with Tube Front	1	1	
3	PA 1312 04	Wheel Rear 1.6X17	1	1	
4	DM 1510 27	Tyre with Tube Rear	1	1	



Front Hub



www.seacubemoto.com

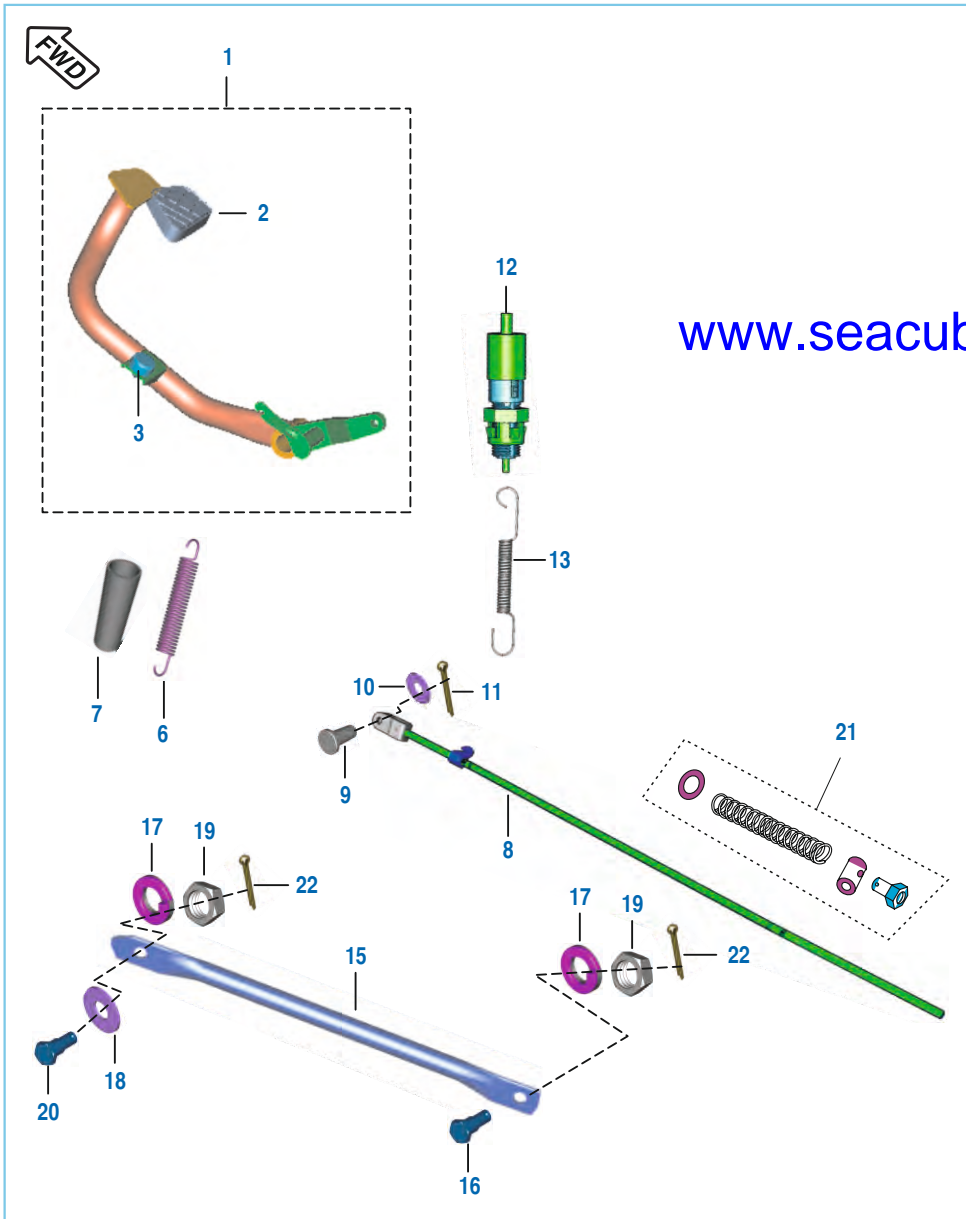
No.	Part No.	Description	Qty.		Remarks
			ES	KS	
1	KP BB62 00	Bearing Ball	1	1	
2	JK 1310 37	Front Wheel	1	1	
3	31 1510 04	Collar	1	1	
4	14 1510 21	Oil Seal	1	1	
5	JK 1318 07	Collar Axel Assly.	1	1	
6	30 1510 11	Plain Wahser	1	1	
7	LC J000 01	Nut Hex. Slotted	1	1	
8	JK 1310 23	Axel	1	1	
9	JA 1316 06	Bushing	1	1	
10	39 1013 21	Ring 'O'	1	1	
11	30 1510 42	Washer	2	2	
12	30 1510 41	Gear Meter Screw	1	1	
13	JK 1310 16	Stopper For Bushing	1	1	
14	JK 1310 18	Screw Pan Cross	1	1	
15	JK 1310 19	Spring Washer	1	1	
16	31 1510 14	Oil Seal	1	1	
17	DS 1510 94	Flange Nut	1	1	
18	JK 1310 24	Lever Brake Cam	1	1	
19	DS 1510 95	Bolt	1	1	
20	DS 1510 91	Indicator Front	1	1	
21	30 1510 38	'O' Ring	1	1	
22	JK 1318 06	Panel Front Brake	1	1	
23	JK 1310 25	Cam Brake	1	1	
24	30 1510 69	Spring	2	2	
25	31 1510 07	Shoe Brake	2	2	
26	KP BB63 00	Bearing Ball	1	1	

Rear Hub



No.	Part No.	Description	Qty.		Remarks
			ES	KS	
1	JD 1410 03	Drive Chain Lock	1	1	
2	36 Pa01 23	Kit Chain Sprocket	1	1	
3	39 1364 20	Bearing ball C3 Clearance	1	1	
4	39 2682 20	Bearing ball C3 Clearance	1	1	
5	31 1510 18	Caller-Bearing	1	1	
6	31 1510 21	Coupling Rubber	4	4	
7	PF 1312 39	Coupling	1	1	
8	KP Bc60 04	Ball Bearing	1	1	
9	JA 1312 05	Panel Rear Brake	1	1	
10	DX 1510 10	D Bolt	4	4	
10A	31 1510 29	Washer	2	2	
11	PF 1312 35	Axel Rear	1	1	
12	KC Ba10 06	Nut U Flange	4	4	
13	31 1510 07	Shoe Brake Assly.	2	2	
14	30 1510 69	Spring	2	2	
15	JB 1312 23	Cam Brake Assly.	1	1	
16	30 1510 38	'O' Ring	1	1	
17	DS 1510 90	Wear Indicator	1	1	
18	JB 1316 05	Lever Cam Brake	1	1	
19	JB 1312 24	Hex Bolt with Flange	1	1	
20	DS 1510 94	Flange Nut	1	1	
21	JB 1312 25	Hex Nut M18X1.5P	1	1	
22	JB 1220 11	Washer Plain	1	1	
23	JB 1310 19	Nut- U M12	1	1	
24	PF 1312 37	Spacer Panel	1	1	
25	PF 1312 36	Sleeve Coupling	1	1	
26	JK 1312 03	Collar	1	1	

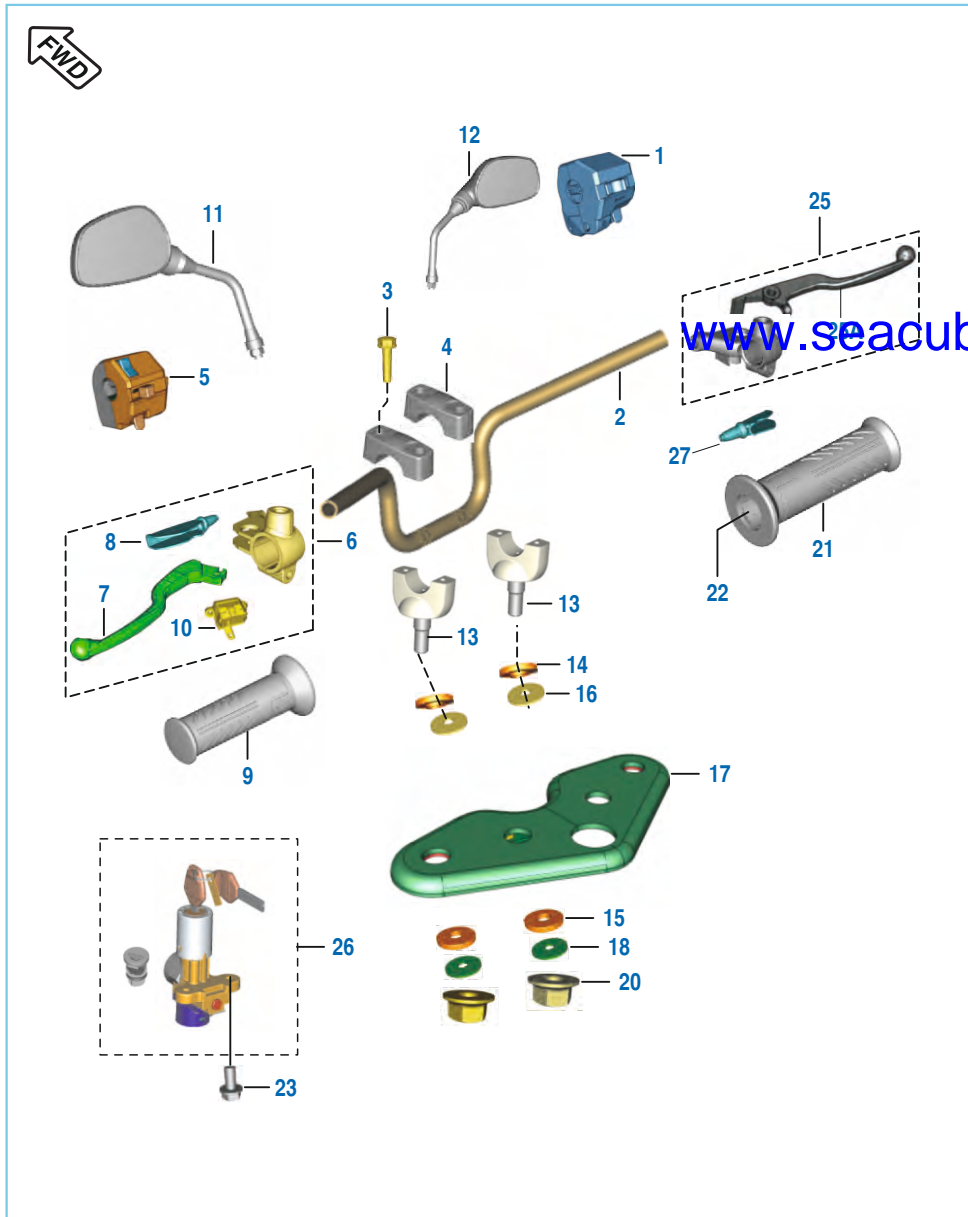
Brake Pedal



[www.seacubemoto.com](http://www.seacubemoto.com)

No.	Part No.	Description	Qty.		Remarks
			ES	KS	
1	PA 1610 06	Assly Brake Pedal	1	1	
2	JZ 1610 19	Pad Brake Pedal	1	1	
3	DD 1610 78	Damper	1	1	
6	JD 1610 02	Spring Brake Pedal	1	1	
7	JD 1610 06	Sleeve Brake Return Spring	1	1	
8	PF 1610 06	Brake Rod	1	1	
9	30 1910 38	Pin Brake Rod	1	1	
10	39 0198 11	Washer - Plain	1	1	
11	39 0808 08	Pin - Split	1	1	
12	31 2010 79	Rear Brake Switch	1	1	
13	PA 1610 04	Spring Brake Switch	1	1	
15	PF 1220 19	Rod - Torque	1	1	
16	DH 1510 29	Bolt - Step :- Torque Rod	1	1	
17	39 0789 12	Washer - Spring	2	2	
18	39 1540 11	Washer - Plain	1	1	
19	39 0694 15	Nut - Hexagon Lock	2	2	M8 X 1.25
20	30 1510 96	Bolt - Hexagon	1	1	
21	36 DK00 17	Kit Hardware Br Rod	1	1	
22	39 0807 08	Pin - Split	2	2	

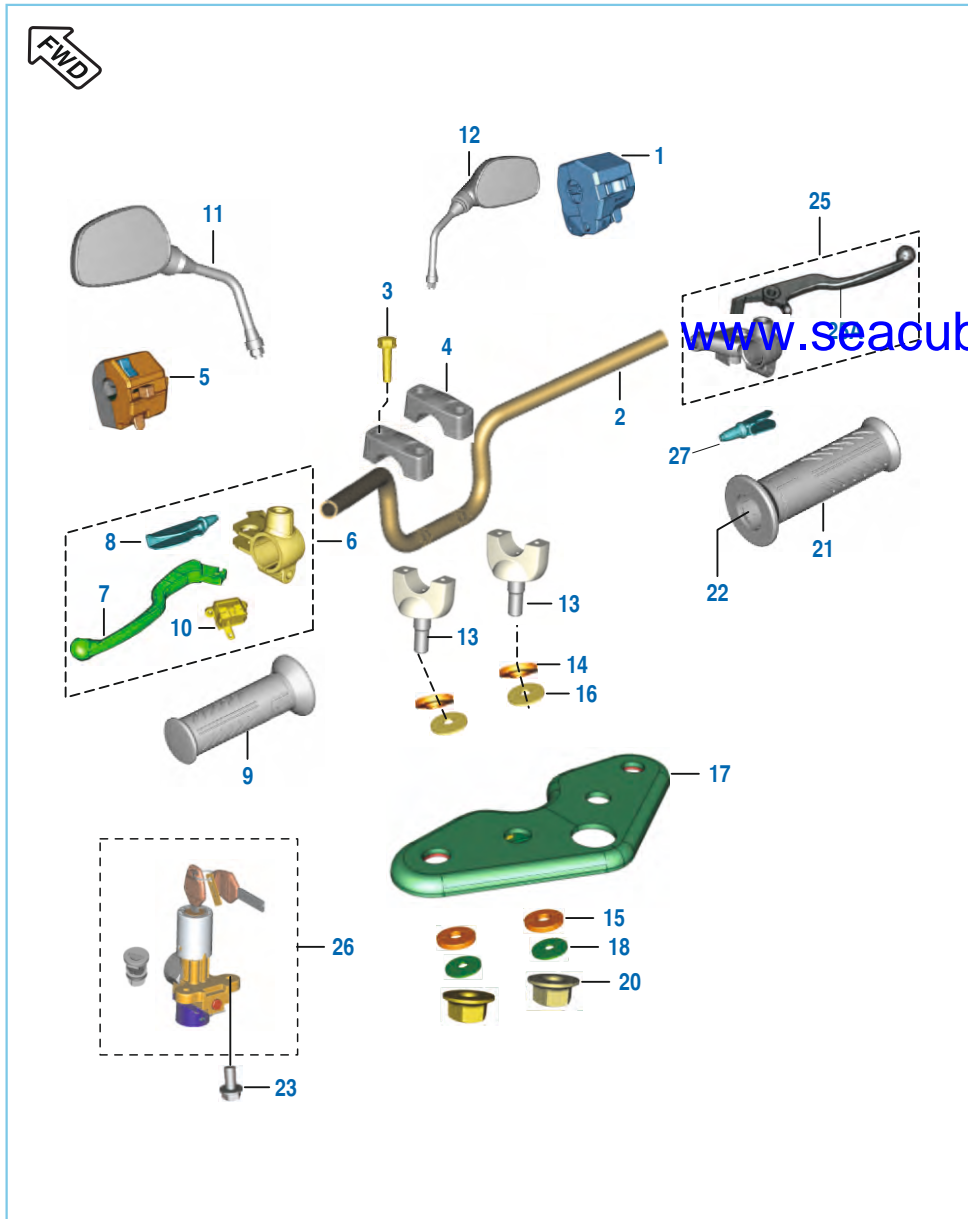
Handle Bar Assly



No.	Part No.	Description	Qty.		Remarks
			ES	KS	
1	PF 4014 17	Control Switch RH	1	-	
	DZ 2010 44	Control Switch RH - KS	-	1	
2	PF 1510 15	Handle Bar	1	1	
3	39 1074 04	Bolt - Flanged	4	4	
4	FD 1810 30	Holder Handle Upper	2	2	
5	JB 4014 00	Control Switch LH - ES	1	1	
6	PF 1610 14	Lever & Support Holder LH - ES	1	-	
	DD 1911 48	Lever & Support Holder LH - KS	-	1	
7	PF 1610 15	Lever Grip Left - ES	1	-	
	DL 1910 13	Lever Grip Left - KS	-	1	
8	DS 1910 52	Lever Boot LH	1	1	
9	PF 1610 05	Hand Grip LH	1	1	
10	JZ 4014 03	Clutch Switch	1	1	
11	DJ 2210 03	Mirror LH	1	1	
12	DJ 2210 04	Mirror RH	1	1	
13	FD 1810 31	Holder Handle Lower	2	2	
14	FD 1810 20	Washer Plain	2	2	
15	FD 1810 19	Washer	2	2	
16	DF 1810 91	Damper Upper	2	2	
17	PF 1210 79	Holder Fork Upper	1	1	
18	DF 1810 92	Damper Lower	2	2	
19	DD 2011 70	Front Brake Switch With Lever	1	1	N.I.
20	39 2249 15	Nut	2	2	
21	PF 1610 07	Hand Grip RH	1	1	
22	PF 1610 13	Pipe Throttle	1	1	N.S
23	39 1912 04	Bolt Flange	1	2	

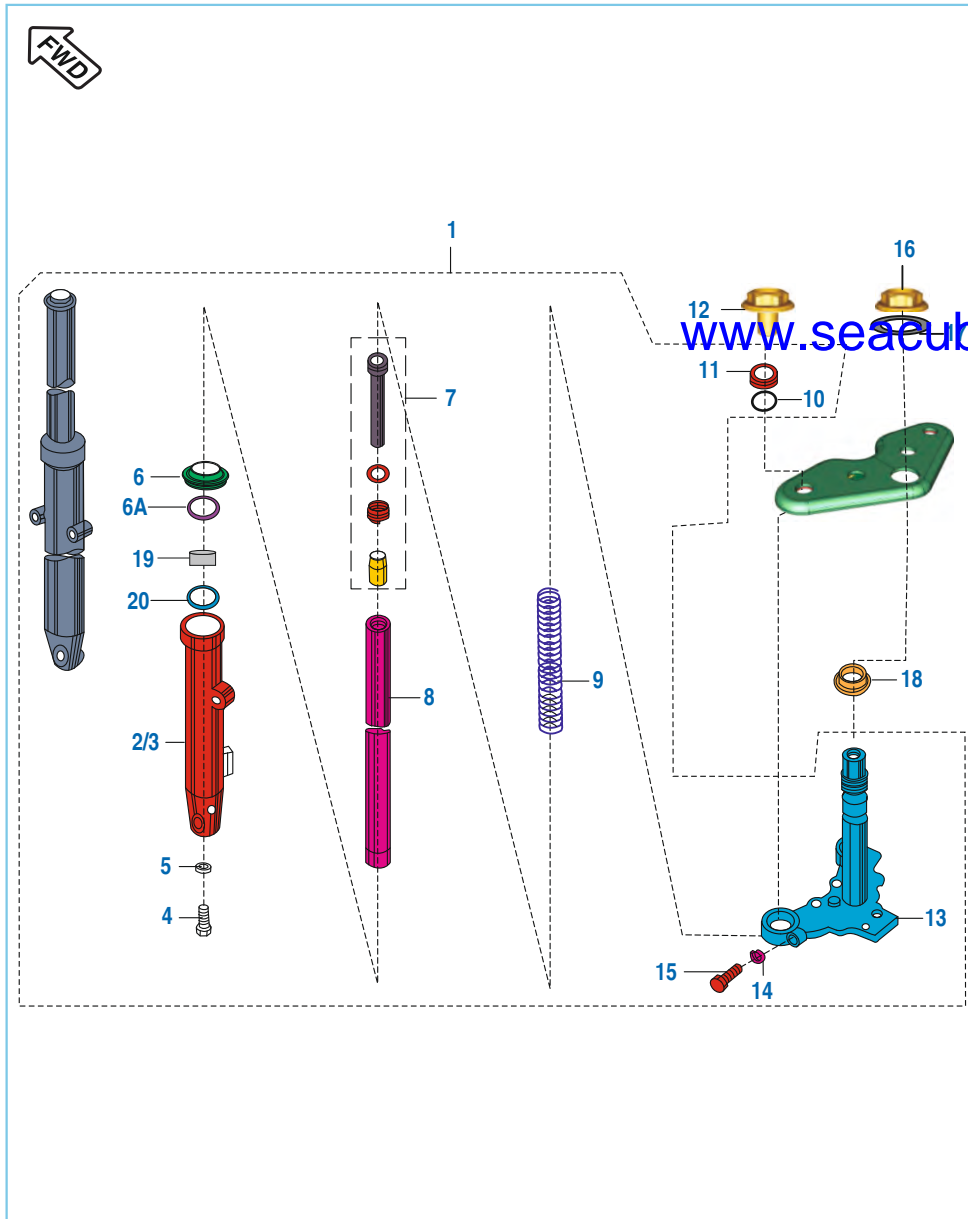
Plate No.: 34

Handle Bar Assly



No.	Part No.	Description	Qty.		Remarks
			ES	KS	
24	JD 4022 17	Band	2	2	N.I.
25	DX 1910 09	Lever Assembly RH	1	1	
25A	DD 1911 42	Lever Grip Right	1	1	
26	Pf 2326 03	Lock Set	1	1	
27	DS 1910 18	Lever Boot RH	1	1	

Front Fork



[www.seacubemoto.com](http://www.seacubemoto.com)

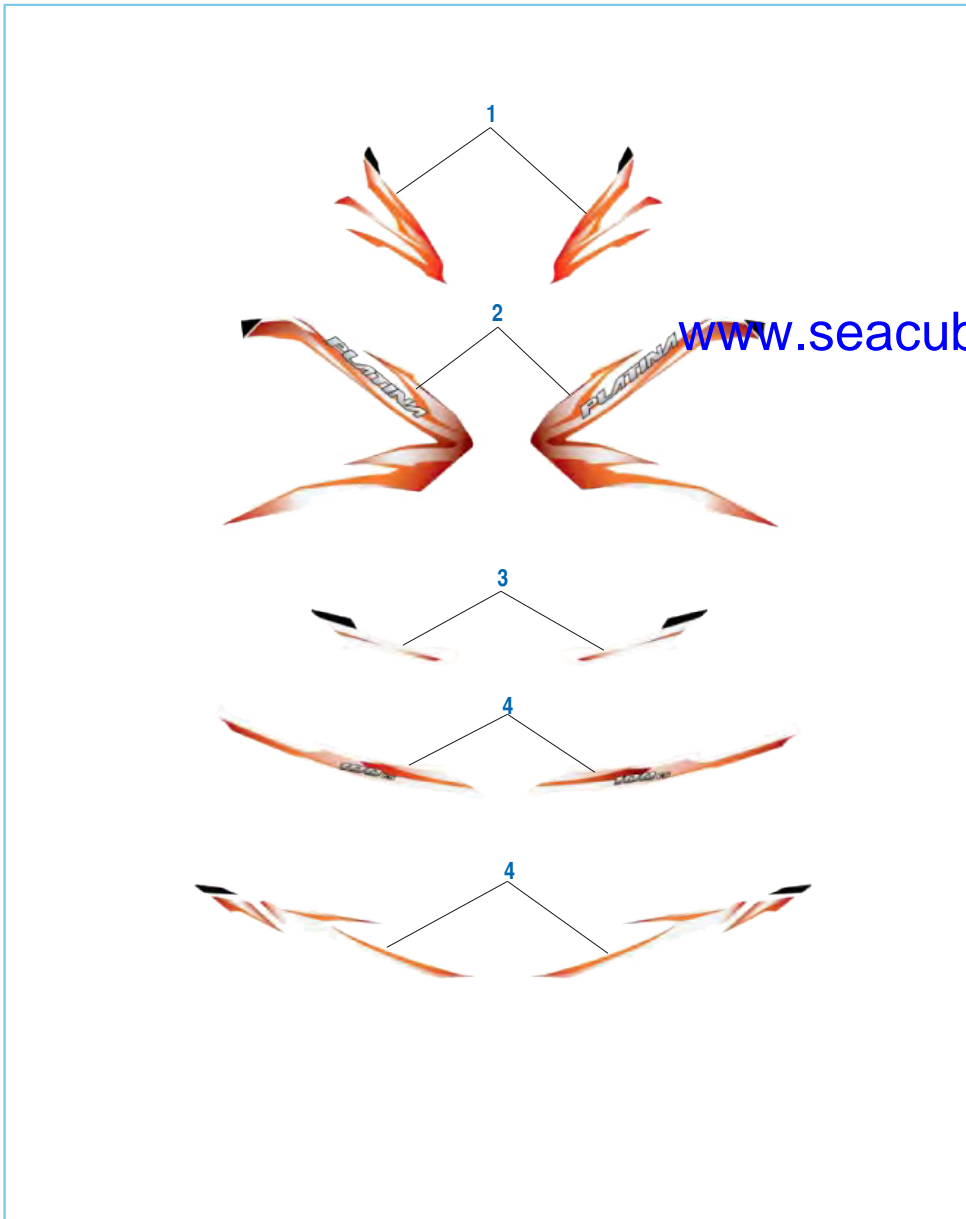
No.	Part No.	Description	Qty.		Remarks
			ES	KS	
1	PF 1210 43	Assly Front Fork	1	1	
2	PF 1210 57	Outer Pipe LH	1	1	
3	PF 1210 64	Outer Pipe RH	1	1	
4	30 1810 25	Socket Head Bolt	2	2	
5	30 1810 26	Gasket	2	2	
6	DD 1810 32	Seal Dust	2	2	
6A	PF 1210 73	Seal Oil	2	2	
7	36 PA01 21	Kit Cylinder Fork	2	2	
8	PA 1210 42	Fork Pipe Spinning	2	2	
9	DE 1810 31	Spring Main	2	2	
10	30 1810 29	'O' Ring	2	2	
11	DS 1810 12	Bolt Fork	2	2	
12	59 0400 06	Hex Bolt	2	2	
13	PF 1210 76	Assembly Under Bracket	1	1	
14	39 0789 12	Washer Spring	2	2	
15	39 1181 01	Bolt Hexagon Head M8X40	2	2	
16	DS 1810 15	Cap Nut Fork	1	1	
17	DS 1810 16	Plain Washer	1	1	
18	DH 1810 23	Bearing Cone	1	1	
19	JK 1210 07	Guide Bush	2	2	
20	JK 1210 09	Washer Guide Bush	2	2	

Painted Parts and Decals



No.	Part No.	Description	Qty.		Remarks
			ES	KS	
1	52 PF05 58	Fuel Tank With Decal	1	1	Candy Red
	52 PF05 59	Fuel Tank With Decal	1	1	Electron Blue
	52 PF05 60	Fuel Tank With Decal	1	1	Ebony Black
	52 PF05 61	Fuel Tank	1	1	Silver Gray
2	52 PF03 15	Side Cover LH	1	1	Candy Red
	52 PF03 16	Side Cover LH	1	1	Electron Blue
	52 PF03 17	Side Cover LH	1	1	Ebony Black
	52 PF03 67	Side Cover LH	1	1	Silver Gray
3	52 PF03 18	Side Cover RH	1	1	Candy Red
	52 PF03 19	Side Cover RH	1	1	Electron Blue
	52 PF03 20	Side Cover RH	1	1	Ebony Black
	52 PF03 68	Side Cover RH	1	1	Silver Gray
4	52 PF03 24	Seat Cowl S/A With Decal	1	-	Candy Red
	52 PF03 25	Seat Cowl S/A With Decal	1	-	Electron Blue
	52 PF03 26	Seat Cowl S/A With Decal	1	-	Ebony Black
	52 PF03 73	Seat Cowl S/A With Decal	1	-	Silver Gray
5	52 PF03 27	Fairing With Decal	1	1	Candy Red
	52 PF03 28	Fairing With Decal	1	1	Electron Blue
	52 PF03 29	Fairing With Decal	1	1	Ebony Black
	52 PF03 69	Fairing With Decal	1	1	Silver Gray
6	52 PF03 33	Front Fender	1	1	Candy Red
	52 PF03 34	Front Fender	1	1	Electron Blue
	52 PF03 35	Front Fender	1	1	Ebony Black
7	52 PF03 58	Seat Cowl S/A With Decal	-	1	Ebony Black
	52 PF03 59	Seat Cowl S/A With Decal	-	1	Candy Red
	52 PF03 60	Seat Cowl S/A With Decal	-	1	Electron Blue
	52 PF03 74	Seat Cowl S/A With Decal	-	1	Silver Gray
8	56 PF70 3B	Grab Handle	1	1	Ebony Black
	56 PF70 6S	Grab Handle	1	1	Candy Red
	56 PF70 3E	Grab Handle	1	1	Electron Blue

Painted Parts and Decals

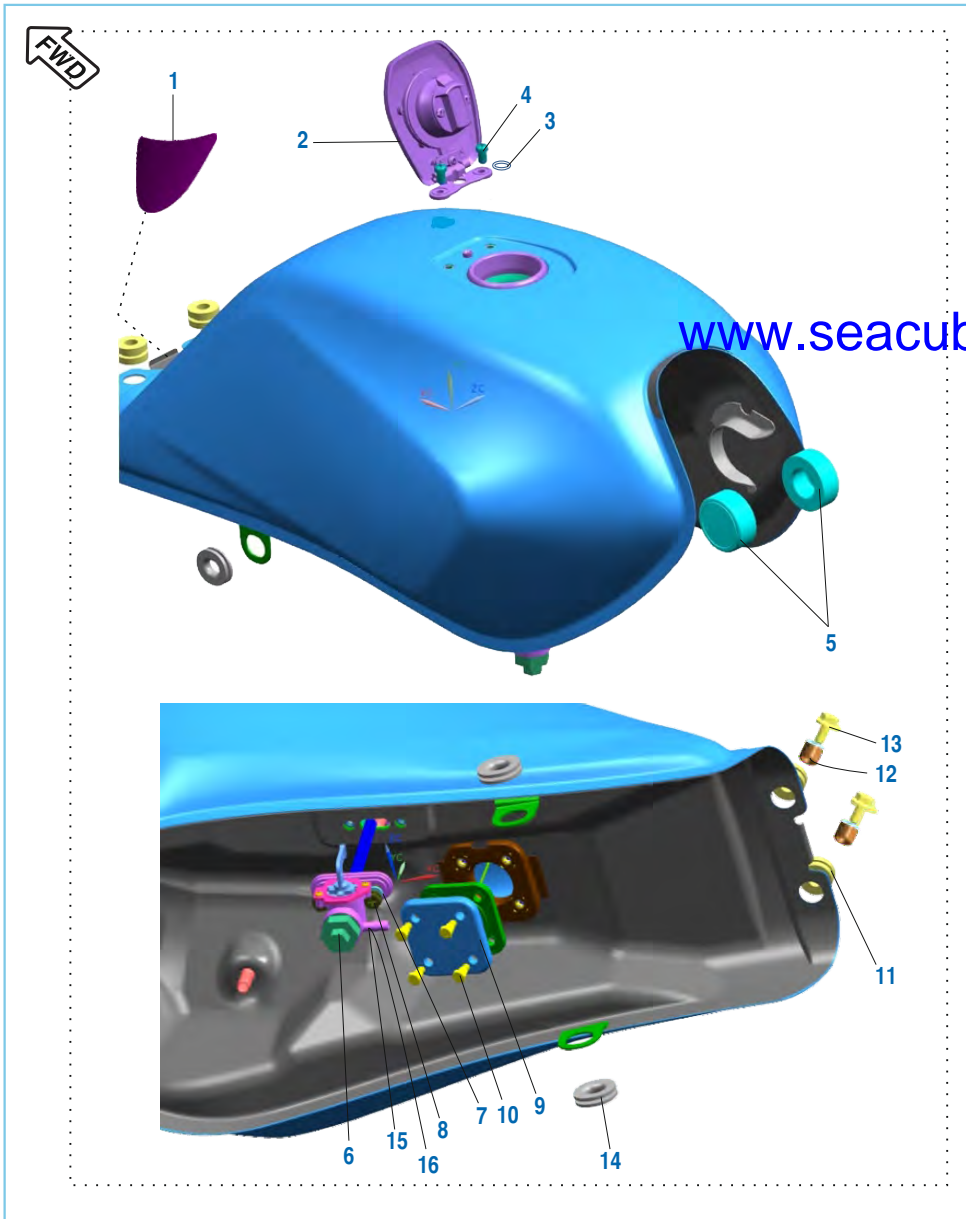


No.	Part No.	Description	Qty.		Remarks
			ES	KS	
1	36 PF00 49	Kit Fairing Decal	1	1	Candy Red
	36 PF00 50	Kit Fairing Decal	1	1	Electron Blue
	36 PF00 51	Kit Fairing Decal	1	1	Ebony Black
2	36 PF00 52	Kit Tank Decal	1	1	Candy Red
	36 PF00 53	Kit Tank Decal	1	1	Electron Blue
	36 PF00 54	Kit Tank Decal	1	1	Ebony Black
3	36 PF00 55	Kit Side Cover Decal	1	1	Candy Red
	36 PF00 56	Kit Side Cover Decal	1	1	Electron Blue
	36 PF00 57	Kit Side Cover Decal	1	1	Ebony Black
4	36 PF00 58	Kit Seat Cowl Decal	1	-	Candy Red
	36 PF00 59	Kit Seat Cowl Decal	1	-	Electron Blue
	36 PF00 60	Kit Seat Cowl Decal	1	-	Ebony Black
	36 PF00 64	Kit Seat Cowl Decal	-	1	Electron Blue
	36 PF00 63	Kit Seat Cowl Decal	-	1	Candy Red
	36 PF00 65	Kit Seat Cowl Decal	-	1	Ebony Black
5	PF 5412 49	Engine Decal LH	1	1	
6	PF 5412 50	Engine Decal RH	1	1	



Plate No.: 38

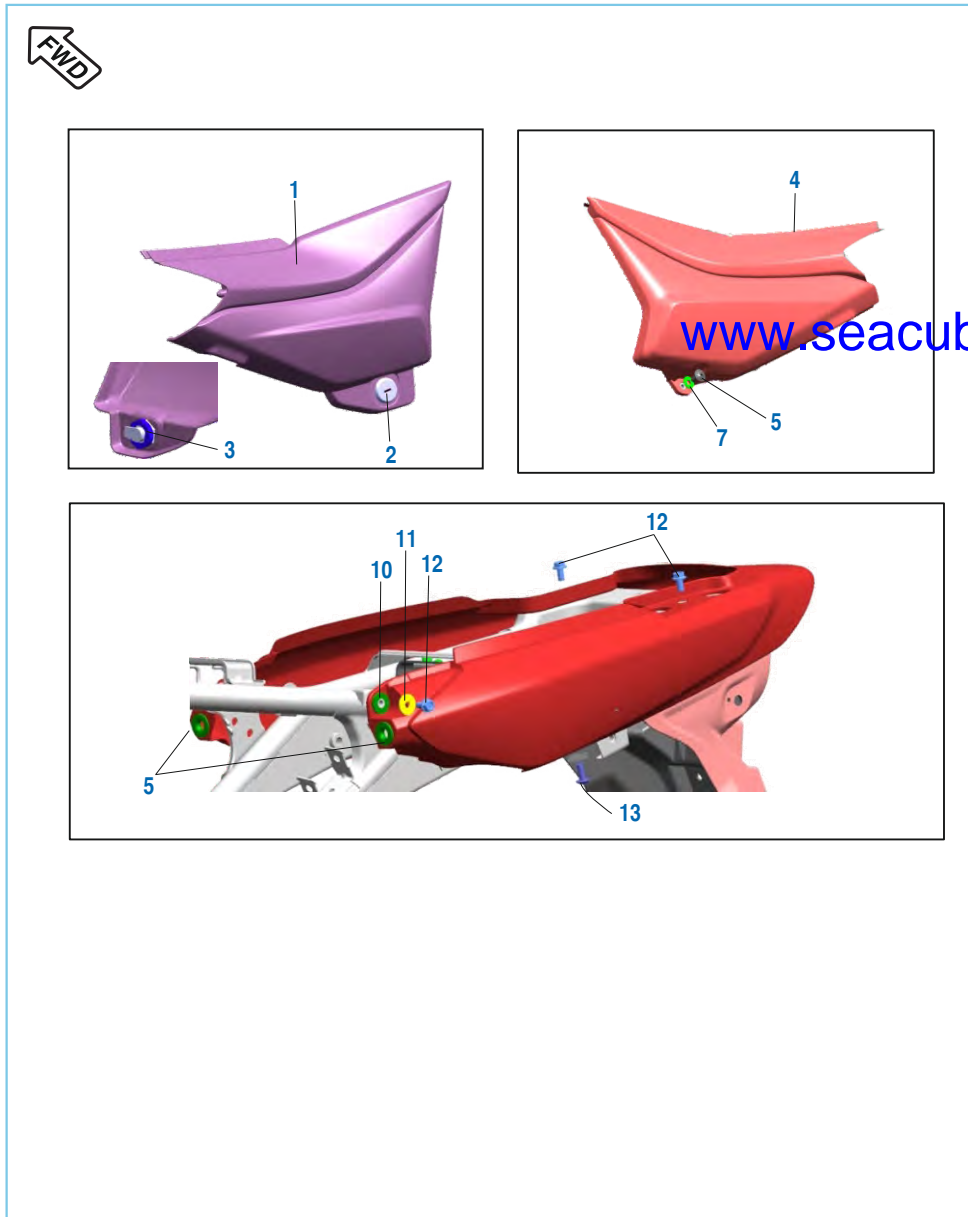
Petrol Tank, Cap Tank and Gauge Fuel



No.	Part No.	Description	Qty.		Remarks
			ES	KS	
1	DP 1410 20	Pad Seatlab	1	1	
2	DS 1410 09	Cap Fuel Tank	1	1	
3	39 2179 24	Washer	2	2	
4	AP 1012 55	Screw Pan	2	2	
5	DP 1411 28	Damper Fuel Tank Mtg.	2	2	
6	DZ 1410 40	Fuel Cock Assly.	1	1	
7	39 0740 11	Washer Non Metallic	2	2	
8	DD 1412 27	Bolt-Flanged	2	2	
9	DZ 2010 02	Tank Unit	1	1	Square Type
	DZ 2010 19	Tank Unit	1	1	Octagonal Type
10	30 1410 32	Bolt	4	4	
11	DG 1410 19	Damper	2	2	
12	30 2110 05	Collar	2	2	
13	KA DF06 25	Bolt Flanged	2	2	
14	DG 1611 18	Grommet	2	2	
15	PF 1718 03	Pipe Fuel	1	1	
16	33 1410 08	Clamp	1	1	

Plate No.: 39

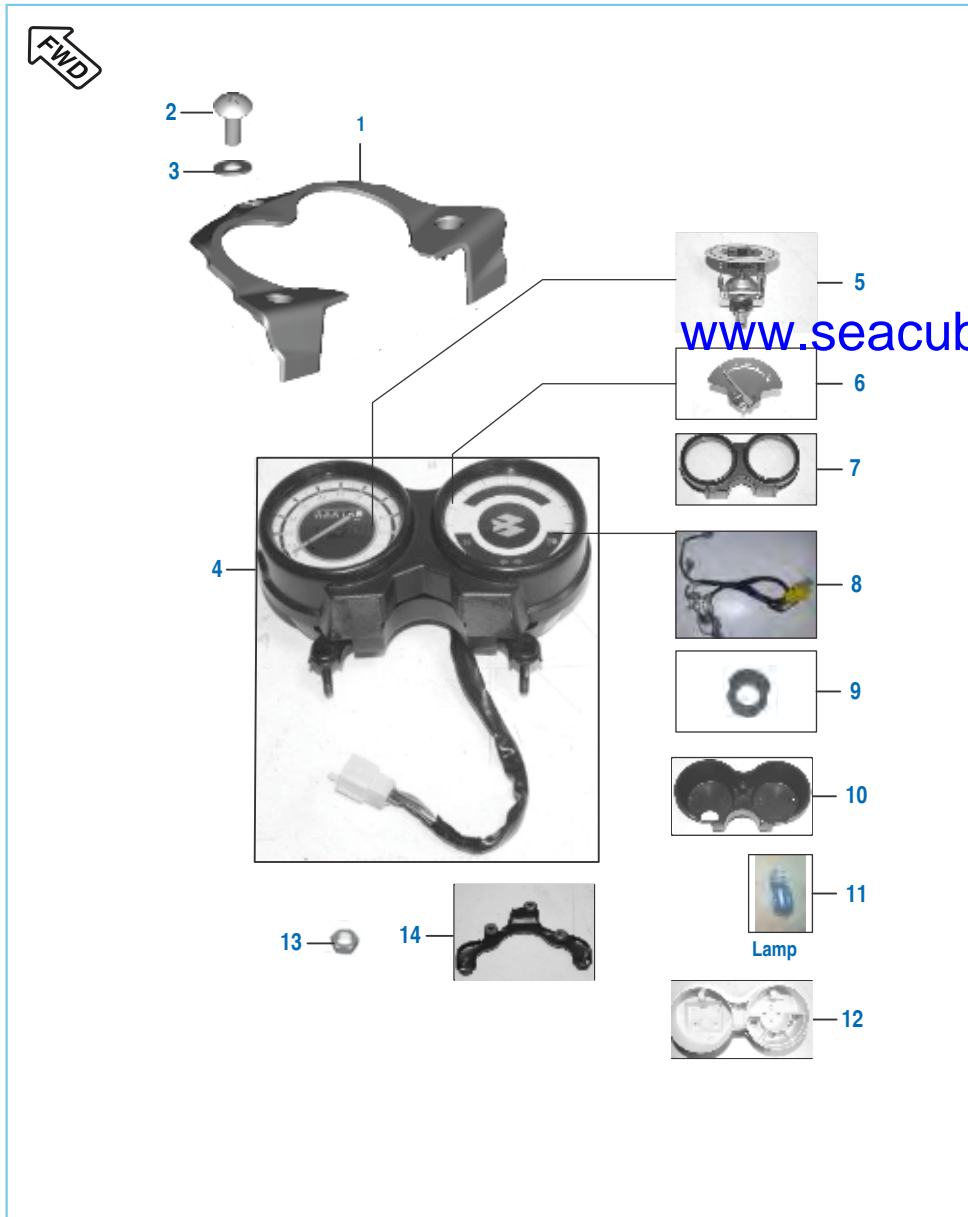
Fittings - Side Covers & Cover Seat



[www.seacubemoto.com](http://www.seacubemoto.com)

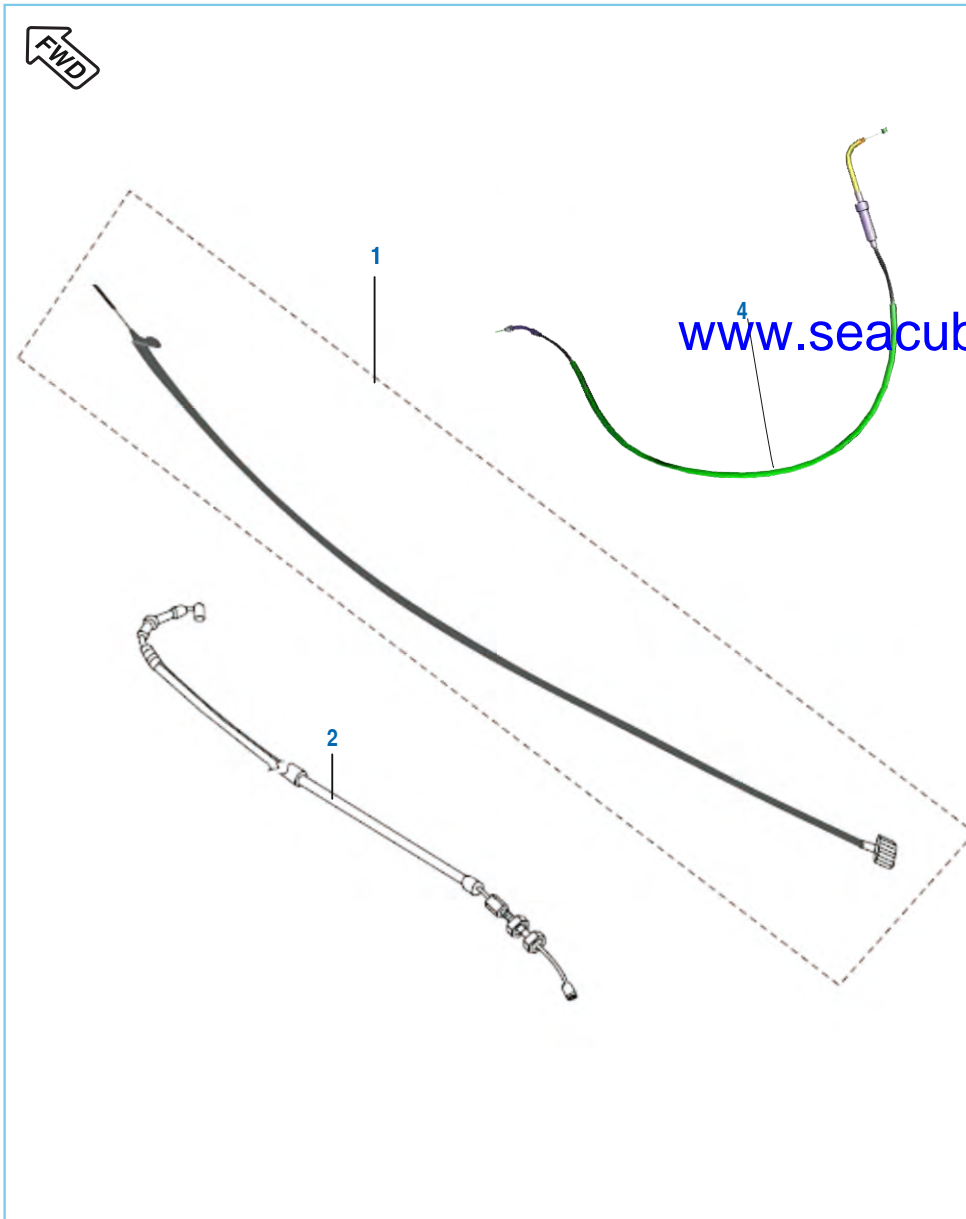
No.	Part No.	Description	Qty.		Remarks
			ES	KS	
1	PF 1812 31	Cover Side RH	1	1	
2	PF 2326 03	Lock Kit	1	1	
3	DU 1611 02	Damper	1	1	
4	PF 1812 30	Cover Side LH	1	1	
5	DT 1812 65	Grommet(For Side Cover Mtg)	2	2	
6	DG 1611 18	Grommet	2	2	
7	39 1789 24	Washer Nylon	1	1	
8	DG 1611 21	Screw	1	1	
9	PF 1812 32	Assembly Seat Cowl	1	1	
10	JL 1812 19	Grommet	2	2	
11	39 1211 11	Plain Washer	2	2	
12	KA DF06 12	Bolt Flanged	4	4	
13	DU 1611 19	Screw Truss	2	2	

Meter Assembly



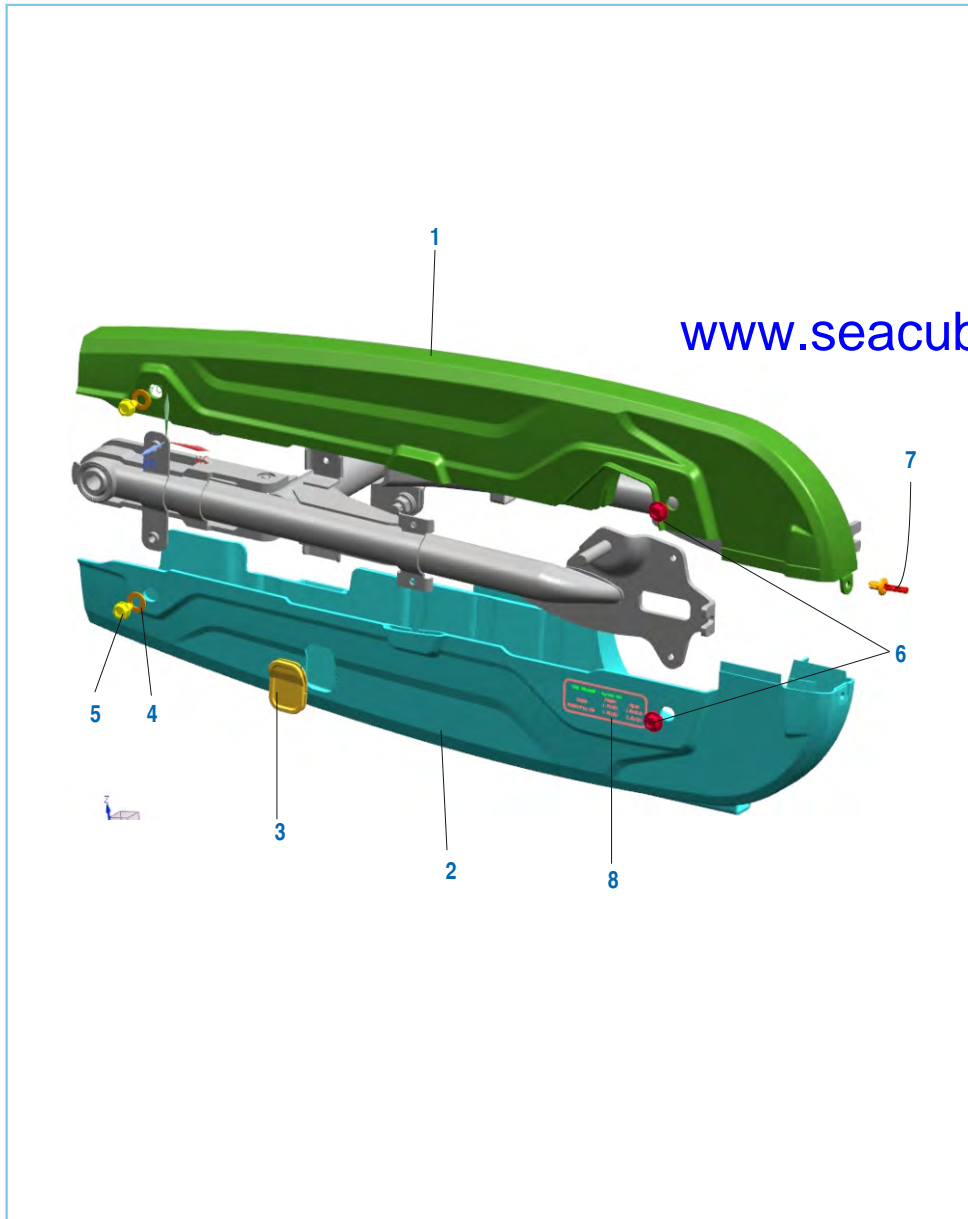
No.	Part No.	Description	Qty.		Remarks
			ES	KS	
1	PF 1812 14	Flap Speedometer	1	1	
2	KB Ua06 16	Screw Truss	3	3	
3	KD Ba06 13	Washer Plain	3	3	
4	PF 4024 12	Speedometer Assly	1	1	
5	YP F080 10	Speedometer with Dial Minda	1	1	
	YP F080 17	Speedometer with Dial Pricol	1	1	
6	YP F080 09	Fuel Gauge with Dial Minda	1	1	
	YP F080 11	Fuel Gauge with Dial Pricol	1	1	
7	YP F080 08	Top Cover with Sear Ring Minda	1	1	
	YP F080 15	Top Cover with Sear Ring Pricol	1	1	
8	YP F080 07	Speedometer W Harness Minda	1	1	
	YP F080 16	Speedometer W Harness Pricol	1	1	
9	YP F080 06	Sealing Ring Meter Minda	1	1	
	YP F080 12	Sealing Ring Meter Pricol	1	1	
10	DZ 1910 25	Speedometer Back Cover	1	1	
11	CM 2010 54	Lamp 12v, 2 W	5	5	
12	DZ 1910 28	Speedometer Housing	1	1	
13	KC Ga06 06	Nut Hex Flanged	2	2	
14	DU 1910 21	Bracket Speedometer	1	1	

Control Cables



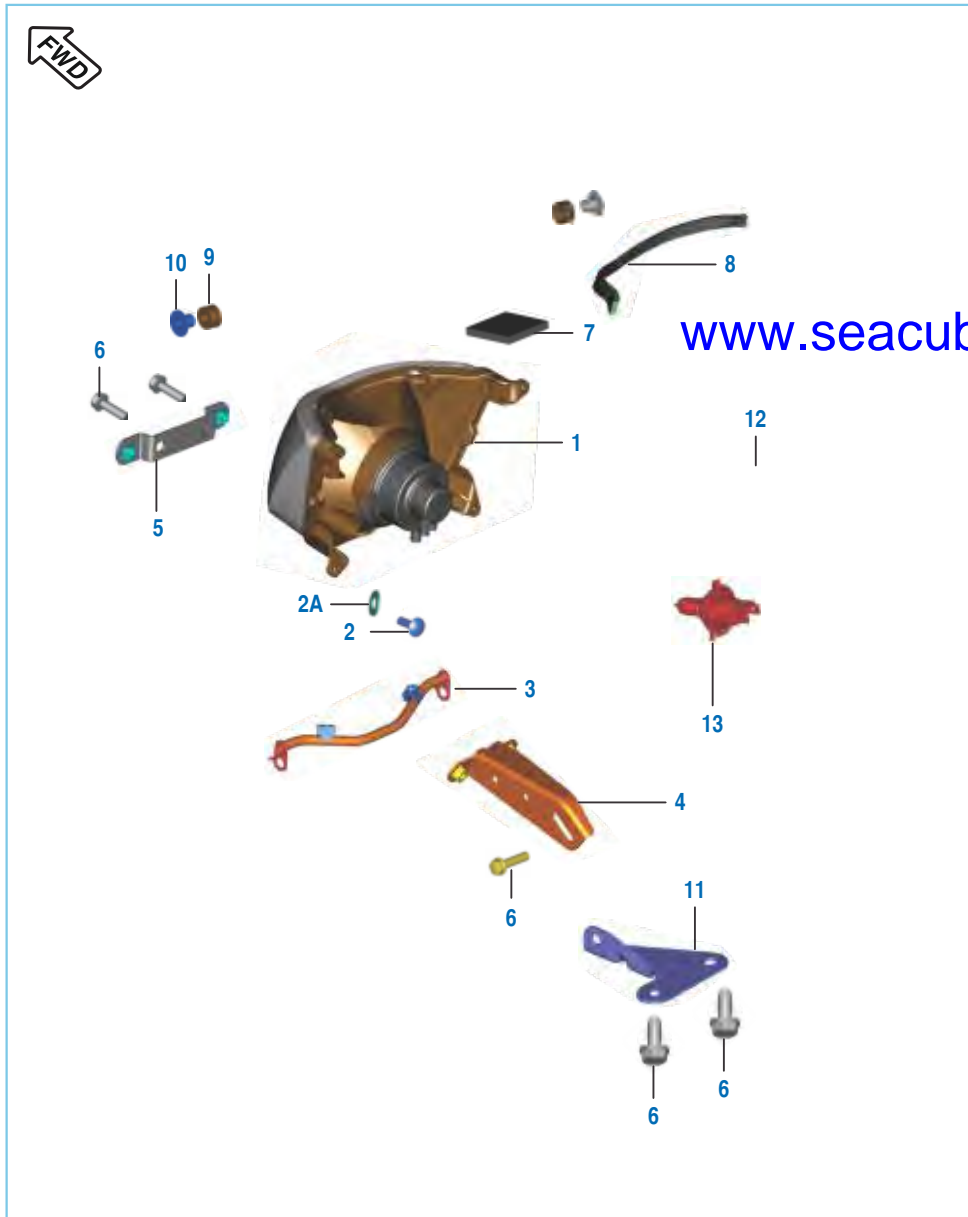
No.	Part No.	Description	Qty.		Remarks
			ES	KS	
1	PA 1612 17	Cable Speedometer	1	1	
2	PF 1612 19	Cable Clutch	1	1	
3	PF 1612 20	Cable Brake - ES	1	-	N.I.
	PA 1612 08	Cable Brake - KS	-	1	
4	PF 1612 18	Cable Throttle	1	1	

Chain Case



No.	Part No.	Description	Qty.		Remarks
			ES	KS	
1	Pf 1812 17	Chain Case Upper	1	1	
2	PF 1812 18	Chain Case Lower	1	1	
3	PF 1812 19	Rubber Cap	1	1	
4	39 1508 11	Washer Plain Small	2	2	
5	KA Dc06 10	Bolt Flanged	2	2	
6	LA D001 27	Bolt Flanged Stepped	2	2	
7	JG 1812 59	River Snap	1	1	
8	DZ 1610 55	Label- Instruction	1	1	

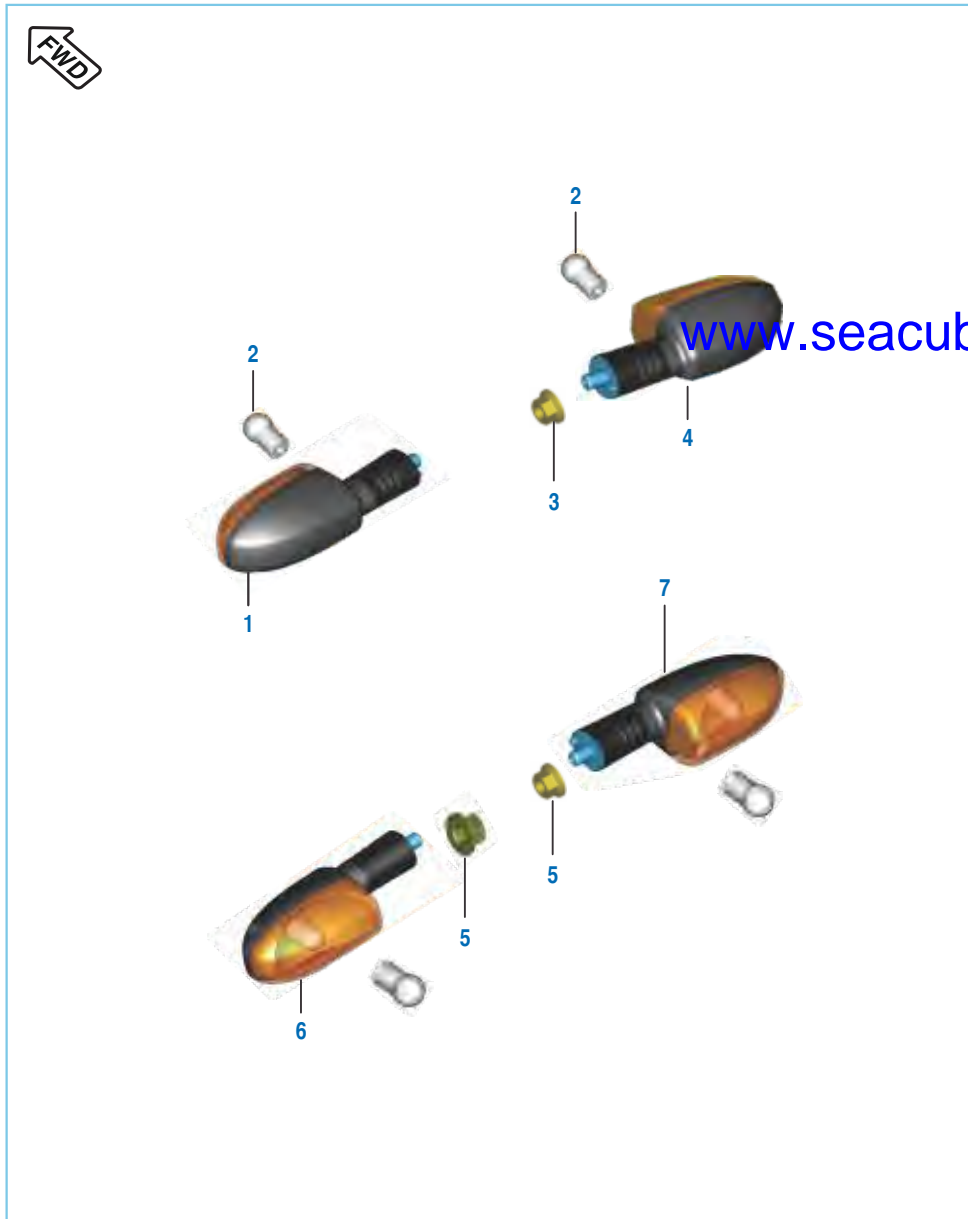
Head Lamp & Fairing



www.seacubemoto.com

No.	Part No.	Description	Qty.		Remarks
			ES	KS	
1	DU 2011 08	Lamp Assly Head Lens+Reflector	1	1	
2	KB Ra42 16	Screw Tapping Pan Cross	4	4	
2A	KD AA04 08	Washer Plain Small	4	4	
3	PF 1812 37	Bracket Blinker Mtg	1	1	
4	PF 1812 38	Bracket Fairing Lower Pivot	1	1	
5	PF 1810 21	Bracket - Number Plate	1	1	
6	KA Df06 16	Bolt Flanged	5	5	
7	PF 1812 46	Foam Tape	1	1	
8	PF 1812 48	Foam Tape	1	1	
9	DP 1810 41	Damper For Mounting Cowling	2	2	
10	DP 1810 40	Collar - Cowling Mounting	2	2	
11	PF 1812 39	Bracket Fork Side	1	1	
12	PF 1812 36	Brackte Fairing Upper Pivot	1	1	
13	CL 2010 23	Lamp 12V 35X35W	1	1	
14	DU 2011 10	Cap Dust	1	1	N.I.
15	DU 2011 11	Clamp Wire For H/L	1	1	N.I.

Indicator Light Assembly

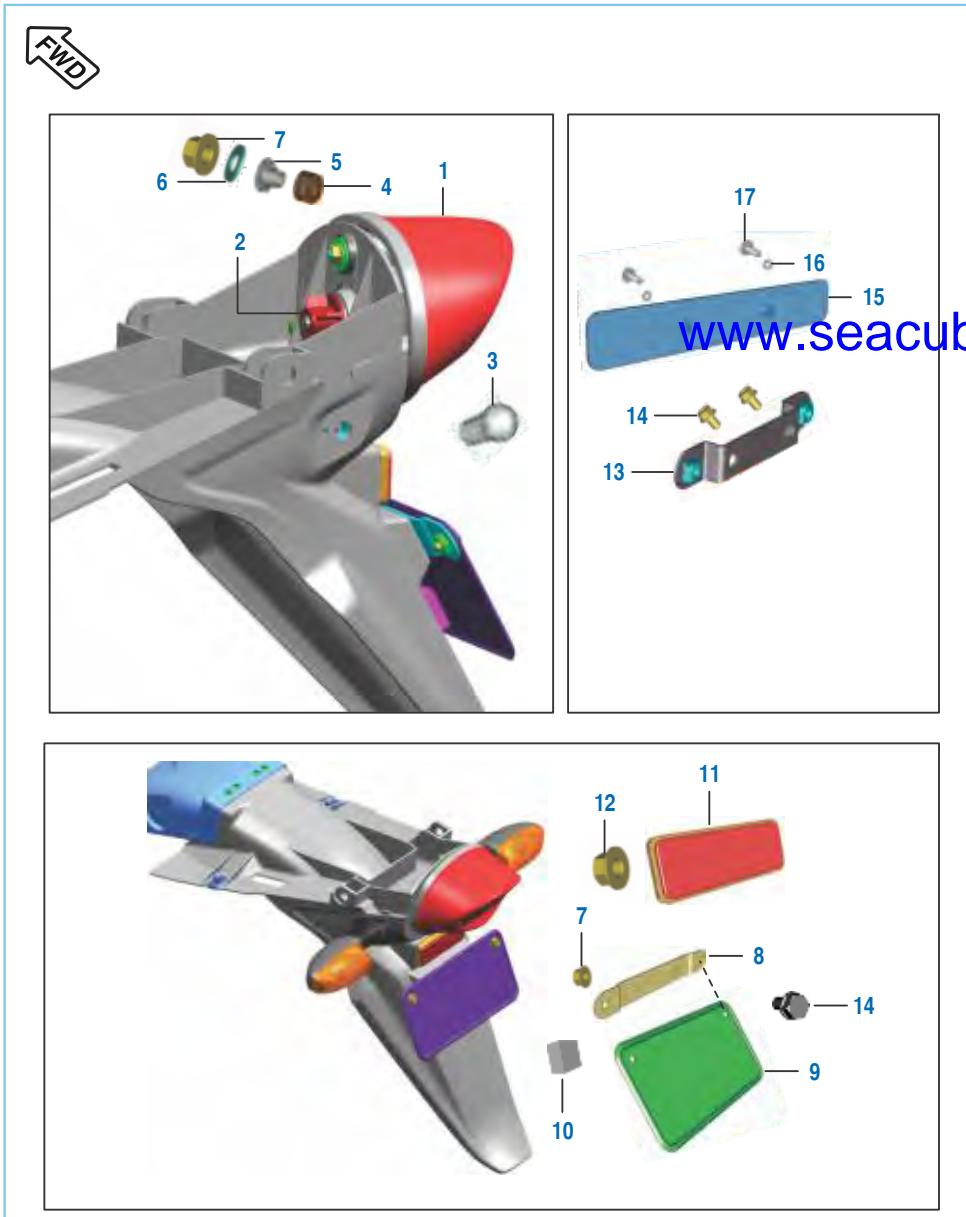


[www.seacubemoto.com](http://www.seacubemoto.com)

No.	Part No.	Description	Qty.		Remarks
			ES	KS	
1	JK 4010 09	FR Blinker Amber Lens	1	1	
2	06 2010 83	Lamp 12V-10W	4	4	
3	KC Ga10 10	Nut-Hex-Flanged	2	2	
4	JK 4010 10	FR RH Blinker Amber Lens	1	1	
5	KC Gf10 10	Nut - Hex Flanged	2	2	
6	JK 4010 07	RR LH Blinker Amber Lens	1	1	
7	JK 4010 08	RR RH Blinker Amber Lens	1	1	

Plate No.: 45

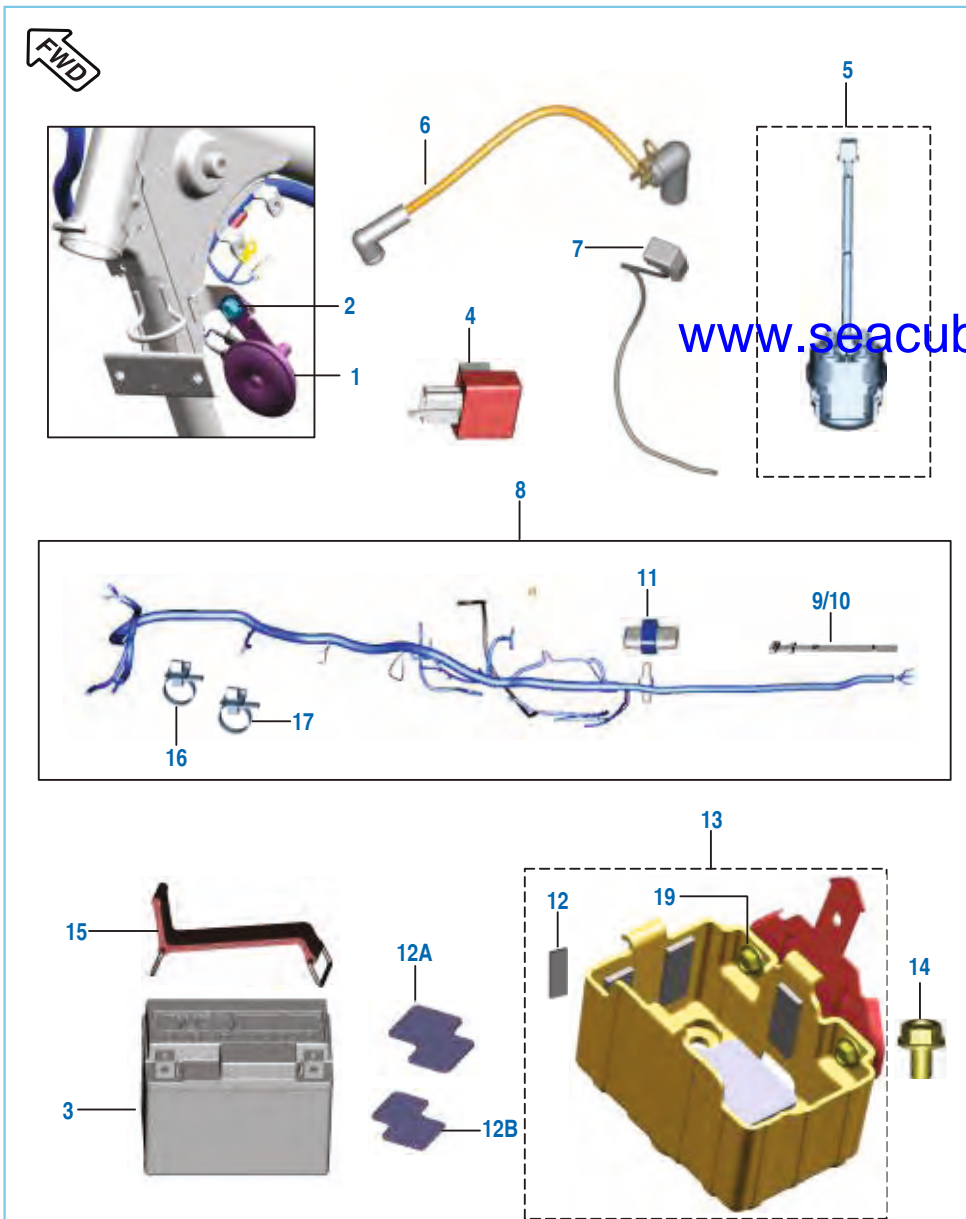
Tail Lamp Assly / Front Number Plate



No.	Part No.	Description	Qty.		Remarks
			ES	KS	
1	YD Z050 05	Tail Lamp W/O Bulb	1	1	
2	YD Z050 06	Tail Lamp Wire Holder Assly	1	1	
3	31 2010 28	Bulb 10/2W	1	1	
4	DD 2010 11	Damper	3	3	
5	DZ 2010 15	Collar Assly	3	3	
6	DP 2010 44	Washer	3	3	
7	KC GD06 06	Nut Hex Flanged	1	1	
8	DJ 1610 72	Bracket - Rear Number Plate	1	1	
9	DP 1611 45	Plate - No Rr1	1	1	
10	JZ 2328 05	Foam Rear Number Plate	1	1	
11	DD 2010 02	Reflector Reflex	1	1	
12	KC GD05 05	Nut Hex Flanged	1	1	
13	DP 1810 21	Bracket - Number Plate	1	1	
14	KA Da06 16	Bolt	2	2	
15	DP 1611 44	Front No. Plate	1	1	
16	KD Ba05 12	Washer Plain	2	2	
17	KB Ua05 10	Screw Truss	2	2	
18	KA Da06 10	Bolt Flanged	2	2	



Electrical Equipments



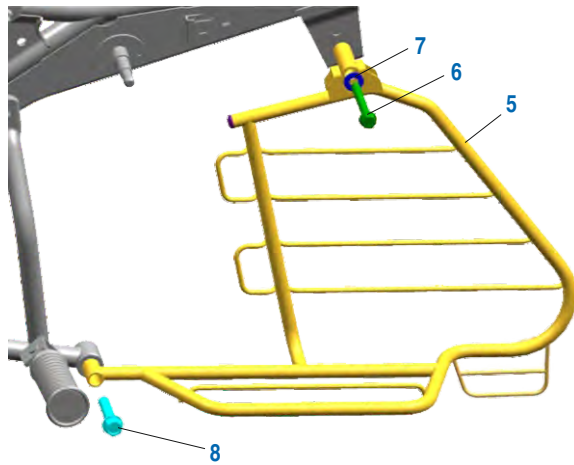
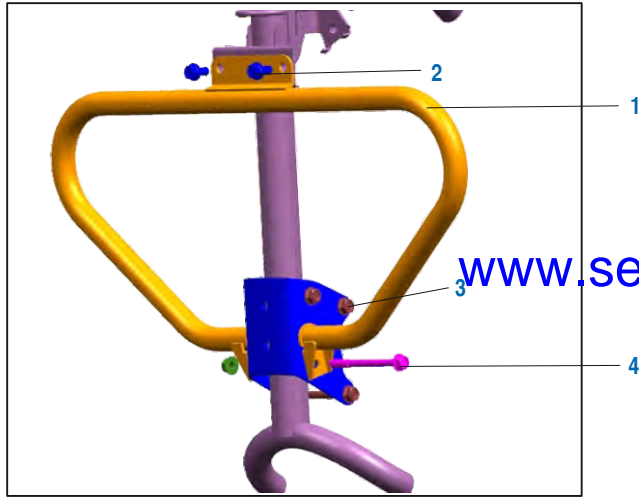
No.	Part No.	Description	Qty.		Remarks
			ES	KS	
1	JZ 4016 00	Horn	1	1	
2	KA DD08 14	Bolt Flanged	2	2	
3	PA 4018 10	Battery MF 3Ah	1	-	Not Serviceable
	31 2010 27	Battery MF 3Ah	-	1	
4	DS 2010 25	Assly Flasher - D. C.	1	1	
5	JN 3516 04	Starter Relay-with Grommet	1	1	
6	PF 4022 24	Cable Assly St Relay-Motor	1	1	
7	PF 4022 23	Cable Assly Battery-Earth	1	1	
8	PF 4022 20	Harness Wiring-ES	1	-	
	PF 4022 18	Harness Wiring-KS	-	1	
9	60 1114 05	Cable Tie LK-Rlsbl	1	1	
10	JD 4022 17	Band (L 150)	2	2	
11	DJ 2012 19	Fuse Box Assly	1	1	
11A	GF 2010 53	Fuse 10 Amp	1	1	
12	JG 4018 08	Foam Battery	1	1	
12A	PF 4018 10	Foam Battery	1	1	
12B	PF 4018 11	Foam Battery	1	1	
13	PF 1812 21	Assly case Battery	1	1	Includes Foam
14	KA DA06 10	Bolt Flanged	3	3	
15	PF 4018 12	Band Battery	1	-	
	JL 4018 01	Band Battery	-	1	
16	60 1114 15	Cable Tie lock-small	2	2	
17	60 1114 17	Clip Positive Lock	1	1	
18	39 1062 04	Bolt Earthing Cable	1	1	
19	LA D001 27	Bolt	2	2	

Tool Kit



No.	Part No.	Description	Qty.		Remarks
			ES	KS	
1	PA 2310 02	Tool Kit	1	1	

Accessories / Grab Handle



[www.seacubemoto.com](http://www.seacubemoto.com)

No.	Part No.	Description	Qty.		Remarks
			ES	KS	
1	PA 2312 11	Leg Guard	1	1	
2	KA Df08 16	Bolt Flange M8	4	4	
3	LA D000 02	Flange Hex Nut M8	3	3	
4	LA D000 01	Bolt Flange M8	1	1	
5	PF 2312 04	Guard Saree	1	1	
6	LA D000 48	Bolt Flange	1	1	
7	39 1540 11	Washer	1	1	
8	LA D001 31	Bolt Flanged	1	1	

Front Wheel Direction

Sr No	Kit Part No.	Kit Description	Consisting of Following Parts		
			Part No.	Description	Qty/Kit
1	36PF0044	Kit Asly Cyl Head- PI B104D	PF511054	Cylinder Head Complete B 104D	1
			JA511028	Stud M8X1.25X45L	1
			39262921	O-Ring	1
			39128321	O Ring	2
2	36PF0045	Kit Block Piston B104 D	PF521022	Cylinder Block B 104D	1
			PF521210	Assly Piston B104D	1
3	36PF0046	Clutch Cover- B104D	Pf541219	Cover Clutch 104D	1
			31101064	Plug	2
			Jb541201	Jet Clutch Cover	1
			Ba102004	Plug	1
4	36PF0061	Cam Chain Guide	JE521019	Guide Cam Chain Tight	1
			JE541016	Guide Cam Chain Slack Side	1
5	36PF0042	Kit Jet	JB581225	Jet Needle	1
			Jb581282	Needle Jet New Setting	1
			Jb581280	Holder JN New Setting	1
			Jb581281	Jet Comp New Setting	1
6	36PF0043	Kit Chain Case	Pf181217	Case Chain Upper	1
			Pf181218	Case Chain Lower	1
			Pf181219	Rubber Cap	1
7	36PF0047	Valve Repair Kit	Jd511203	Seat Valve Spring	2
			39201719	Seal Valve Stem	2
			Je511240	Spring Valve	2
			Jd511205	Retainer Valve Spring	2
			Dg101029	Cotter Valve	4
8	36PF0048	Valve Kit	Pf511204	Valve Intake	1
			Pf511205	Valve Exhaust	1
9	36PF0062	Piston Ring Set	Jb521207	Ring Compression	1
			Pf521215	Ring Compression 2 nd	1
			PF521204	Ring Oil Control	1

[www.seacubemoto.com](http://www.seacubemoto.com)

Sr No	Kit Part No.	Kit Description	Consisting of Following Parts		
			Part No.	Description	Qty/Kit
10	36PF0049	Kit Fairing Dcl- C Red	Pf233027	Fairing Decal LH Candy Red	1
			Pf233028	Fairing Decal RH Candy Red	1
11	36PF0050	Kit Fairing Dcl EI Blue	Pf233029	Fairing Decal LH EI Blue	1
			Pf233030	Fairing Decal RH EI Blue	1
12	36PF0051	Kit Fairing Dcl E Black	Pf233031	Fairing Decal LH E Black	1
			Pf233032	Fairing Decal RH E Black	1
13	36PF0052	Kit Tank Dcl C Red	Pf233033	Tank Decal LH C Red	1
			Pf233034	Tank Decal RH C Red	1
14	36PF0053	Kit Tank Dcl EI Blue	Pf233035	Tank Decal LH EI Blue	1
			Pf233036	Tank Decal RH EI Blue	1
15	36PF0054	Kit Tank Dcl E Black	Pf233037	Tank Decal LH E Black	1
			Pf233038	Tank Decal RH E Black	1
16	36PF0055	Kit S Cover Dcl C Red	Pf233039	S Cover Decal LH C Red	1
			Pf233040	S Cover Decal RH C Red	1
17	36PF0056	Kit S Cover Dcl EI Blue	Pf233041	S Cover Decal LH EI Blue	1
			Pf233042	S Cover Decal RH EI Blue	1
18	36PF0057	Kit S Cover Dcl E Black	Pf233043	S Cover Decal LH E Black	1
			Pf233044	S Cover Decal RH E Black	1
19	36PF0058	Kit Seat Cowl Dcl C Red	Pf233045	Cowl Seat Up Dcl LH C Red	1
			Pf233046	Cowl Seat Up Dcl RH C Red	1
			Pf233047	Cowl Seat Up Dcl LH C Red	1
			Pf233048	Cowl Seat Up Dcl RH C Red	1
20	36PF0059	Kit Seat Cowl Dcl EI Blue	Pf233049	Cowl Seat Up Dcl LH EI Blue	1
			Pf233050	Cowl Seat Up Dcl RH EI Blue	1
			Pf233051	Cowl Seat Up Dcl LH EI Blue	1
			Pf233052	Cowl Seat Up Dcl RH EI Blue	1

## Kit List

Sr No	Kit Part No.	Kit Description	Consisting of Following Parts		
			Part No.	Description	Qty/Kit
21	36PF0060	Kit Seat Cowl Dcl E Black	Pf233053	Cowl Seat Up Dcl LH E Black	1
			Pf233054	Cowl Seat Up Dcl RH E Black	1
			Pf233055	Cowl Seat Up Dcl LH E Black	1
			Pf233056	Cowl Seat Up Dcl RH E Black	1
22	36JB0022	Kit Air Screw ( Mod)	Jb581275	Screw Adjuster	1
			Jb581240	O- Ring	1
			Jb581244	Spring Compr	1
			Jb581245	Plain Washer	1
			Jb581246	O-Ring	1
23	36PA0013	Idling Screw Kit	Jb581241	Screw Stop	1
			Jb581240	O-Ring	1
			Jb581242	Spring Compr	1
24	36PA0014	Throttle Valve Kitb581265	Jb581265	Valve Throttle	1
			Jb581235	Bar Clip	1
			Jz581206	Collar Magnet Holder	1
			Jb581249	Spring Compr	1
25	36PA0108	Carb. Gasket- 'O' Ring Kit	Pa581220	Gasket Float Chamber	1
			Jb581239	Top Gasket	1
			Jb581240	O-Ring	3
			Jb581269	O-Ring 24X26(Eng Side)	1
26	Pf541237	Assembly Magneto Cover	Pf541238	Cover Magneto	1
			Ja541005	Bush Bendix	1
			Pf541249	Label Magneto Cover	1
27	Pf232603	Lock Kit	Du201056	Switch- Ignition	1
			Df201246	Key Set	1
			30141050	Rotor	1
			31161171	Lock For Side Cover	1
28	Pf541029	Assembly Crankcase LH	39171519	Oil Seal	1
			39256220	Needle Roller Brg.	1

Sr No	Kit Part No.	Kit Description	Consisting of Following Parts		
			Part No.	Description	Qty/Kit
29	Pf541031	Assembly Crankcase RH	Pf541030	Crankcase LH	1
			Pf541044	Insert Crankcase LH	1
			59200036	6203 Hn3 C3 Ball Bearing	1
			Ja541036	Plug (Oil Control)	1
			Dh101264	Gasket Neutral Switch	1
			31201081	Switch Complete	1
			Ja541036	Bush Bendix	1
			39219019	Oil Seal	1
30	36JE0024	Kit Friction Plate	Pf541018	Bushing Drum	1
			Dh101380	Screw Pan Head	1
			Ja541014	Bolt Shift Change	1
			Ja541011	Needle Roller Bearing	1
			Pf541032	Crankcase RH	1
			Pf541045	Insert Crankcase RH	1
			Ja541015	Stud Inhibitor Mounting	1
			59200036	6203 Hn3 C3 Ball Bearing	1
			Ja541010	Stopper Plate Input Bearing	1
			31101064	Plug	1
31	36PA0123	Chain Sprocket Kit	Ja541012	Guide Kick	1
			39196404	Bolt Flanged Small	2
32	36JZ0132	Starter Clutch Repair	Je541028	Pin	1
33	36DK0077	Kit for Starter Clutch	Je551410	Plate Friction	5
34	36DU1007	Boss Kick Set	Pa141013	Sprocket Hub(43T)	1
			Jb551000	Sprocket Output(14T)	1
35	36DU1007	Boss Kick Set	Pa141011	Chain 120 Link- 420 Series	1
36	36JZ0132	Starter Clutch Repair	Dj101109	Bush For Spring Starter	5
			Dh101163	Roller Clutch(Dia 12X10)	5
37	36DK0077	Kit for Starter Clutch	Dk101596	Spring Starter Clutch	5
38	36DU1007	Boss Kick Set	30101233	Boss	1
			30101234	Spring	1

## Kit List

Sr No	Kit Part No.	Kit Description	Consisting of Following Parts		
			Part No.	Description	Qty/Kit
			30101236	Ball- Steel	1
			30101235	Pin	1
			39085517	Circlip :- E-Type	1
35	36JZ0023	Kit Primary Drive & Driven	Pf551401	Clutch Hsg Assly Comp	1
			Jz531006	Gear Primary Drive	1
36	36JZ0103	Clutch Plate Kit	30101096	Plate - Clutch	1
37	36PA0121	Kit Cyl Comp Fork	Pa121041	Seat Pipe	1
			30181020	Piston Ring	1
			Jz121013	Cap Oil Lock	1
			Dm181008	Rebound Spring	1
38	3614005	Steering Cone Kit	Dh181025	Bearing Cone	1
			Dj181115	Cage Bearing Steering	1
			Dh181023	Bearing Cone ( Fork)	1
			Dh181026	Bearing Race	2
39	36DZ0008	Kit Meter Screw	31151064	Gear = Speedometer	1
			30151041	Gear Meter Screw	1

Sr No	Kit Part No.	Kit Description	Consisting of Following Parts		
			Part No.	Description	Qty/Kit

# Amendment Sheet



Page no.	Fig. no.	Old part no.	New part no.	Description	Updation date	Remarks
32	1	PF551412	PF551413	ASSEMBLY CLUTCH MAKINO	25.05.16	REF. CIR. IB-229
32	4	JB551408	PF551428	PLATE PRESSURE	25.05.16	REF. CIR. IB-229
32	8	JB551412	PF551427	HOLDER PLATE	25.05.16	REF. CIR. IB-229
32	7	PF551411	PF551426	HUB CLUTCH (CLUTCH CENTER)	25.05.16	REF. CIR. IB-229
32	9	28101214	PF551423	SPRING COMPRESSION	25.05.16	REF. CIR. IB-229
32	10	39098004	PF551422	BOLT FLANGE SPECIAL	25.05.16	REF. CIR. IB-229
32	6	36JE0024	36PF0086	KIT FRICTION PLATE	25.05.16	REF. CIR. IB-229
32	5	30101096	36PF0087	KIT CLUTCH PLATE	25.05.16	REF. CIR. IB-229
32	3	36JZ0023	36PF0088	KIT PRI DRIVE & DRIVEN GEAR	25.05.16	REF. CIR. IB-229
30	6	-----	JP541208	GASKET MAGNETO COVER	31.08.16	ADDITION
76	9	-----	DZ201019	TANK UNIT	17.10.16	UPDATION
50	18	-----	JA121003	SHAFT SWING ARM	26.10.16	ADDITION
8	3	JA521018	DD101062	BOLT TENSIONER	27.10.16	REF CIR IB-259
8	7	59040031	DK101386	PRECOATED SOC HD CAP BOLT	27.10.16	REF CIR IB-259
8	12	JA521019	39167304	BOLT	27.10.16	REF CIR IB-259
16	5	JA561002	PF561005	CAM DRUM CHANGE	27.10.16	REF CIR IB-259
20	10	JA541235	39174004	BOLT	27.10.16	REF CIR IB-259
26	10	JA621201	PF621200	ASSEMBLY KICK LEVER	27.10.16	REF CIR IB-259
38	2	JA591040	39229515	NUT- U	27.10.16	REF CIR IB-259

[www.seacubemoto.com](http://www.seacubemoto.com)

# Amendment Sheet



Page no.	Fig. no.	Old part no.	New part no.	Description	Updation date	Remarks

Part Number	Figure No.	Page No.
06201083	2	88
14151021	4	60
22150241	14	26
28101214	9	32
30101096	5	32
30101142	18	28
30141032	10	76
30151038	21	60
30151038	16	62
30151041	12	60
30151042	11	60
30151069	24	60
30151069	14	62
30151096	20	64
30161157	3	56
30171022	13	52
30181025	4	70
30181026	5	70
30181029	10	70
30191038	9	64
30211005	12	76
31101173	6	12
31151004	3	60
31151007	25	60
31151007	13	62
31151014	16	60
31151018	5	62
31151021	6	62
31151029	10A	62
31201027	3	92
31201028	3	90
31201079	12	64
31201081	7	22

Part Number	Figure No.	Page No.
33141008	16	76
36314001	2	48
39019811	10	64
39042215	9	56
39045411	4	50
39055302	5	50
39059417	2	8
39069415	19	64
39069415	19	64
39073817	3	26
39074011	7	76
39074301	3	44
39078111	13	50
39078408	14	52
39078912	8	50
39078912	17	64
39078912	14	70
39080708	11	50
39080708	22	64
39080808	11	64
39098004	10	32
39098717	4	14
39099206	7	16
39099311	6	26
39099906	11	22
39099906	4	24
39099906	4	30
39100006	2	10
39100120	13	32
39101321	10	60
39104119	10	28
39106204	18	92
39107404	3	66

[www.seacubemoto.com](http://www.seacubemoto.com)

Part Number	Figure No.	Page No.
39118101	15	70
39121111	11	78
39122515	6	46
39128321	4	4
39133615	16	50
39136420	3	62
39150811	4	84
39151011	6	60
39154011	9	50
39154011	18	64
39154011	7	96
39167121	6	28
39167304	12	8
39171519	3	22
39174004	10	20
39178924	7	78
39191204	23	66
39194304	18	42
39196404	9	20
39198104	20	14
39201719	3	6
39217924	3	76
39219019	6	22
39224915	20	66
39229515	2	38
39236615	17	50
39240817	8	26
39245304	7	18
39249211	9	38
39253921	10	4
39260011	3A	32
39260801	3	4
39262921	5	4

Part Number	Figure No.	Page No.
39266921	13	8
39268220	4	62
39272612	15	50
59040006	12	70
59040031	7	8
59040038	2	2
59040038	11A	22
59040038	4	28
59040038	2	30
59040038	8	30
59110008	4	12
59120003	3	12
59150014	2	12
59200036	4	20
59200036	2	22
59210023	16	22
59210024	17	14
60111405	9	92
60111415	16	92
60111417	17	92
36DK0017	21	64
36DU1007	11	26
36JB0022	3	34
36JE0024	6	32
36JZ0023	3	32
36JZ0132	6	40
36PA0013	4	34
36PA0014	5	34
36PA0108	6	34
36PA0121	7	70
36Pa0123	2	62
36PF0036	6	32
36PF0042	2	34



Part Number	Figure No.	Page No.
36PF0044	1	4
36PF0045	1	10
36Pf0046	1	28
36PF0047	2	6
36PF0048	1	6
36PF0049	1	74
36PF0050	1	74
36PF0051	1	74
36PF0052	2	74
36PF0053	2	74
36PF0054	2	74
36PF0055	3	74
36PF0056	3	74
36PF0057	3	74
36PF0058	4	74
36PF0059	4	74
36PF0060	4	74
36PF0061	14	8
36PF0062	5	10
36PF0063	4	74
36PF0064	4	74
36PF0065	4	74
36PF0087	5	32
36PF0088	3	32
52PF0315	2	72
52PF0316	2	72
52PF0317	2	72
52PF0318	3	72
52PF0319	3	72
52PF0320	3	72
52PF0324	4	72
52PF0325	4	72
52PF0326	4	72

Part Number	Figure No.	Page No.
52PF0327	5	72
52PF0328	5	72
52PF0329	5	72
52PF0333	6	72
52PF0334	6	72
52PF0335	6	72
52PF0358	7	72
52PF0360	7	72
52PF0367	2	72
52PF0368	3	72
52PF0369	5	72
52PF0373	4	72
52PF0374	7	72
52PF0558	1	72
52PF0559	1	72
52PF0560	1	72
52PF0561	1	72
56PF703B	8	72
56PF703E	8	72
56PF706S	8	72
AP101255	4	76
CF111019	17	42
CL201023	13	86
CM201054	11	80
CS101128	10	8
DD101062	3	8
DD101097	12	26
DD111011	12	42
DD111012	10	42
DD111018	17	42
DD111048	11	42
DD121181	8	28

Part Number	Figure No.	Page No.
DD141227	8	76
DD161078	3	64
DD181032	6	70
DD191142	25A	68
DD191148	6	66
DD201002	11	90
DD201011	4	90
DD201170	19	66
DE181031	9	70
DF141128	5	76
DF161102	8	56
DF181091	16	66
DF181092	18	66
DG101029	4	6
DG101339	10	18
DG141019	11	76
DG161118	14	76
DG161118	6	78
DG161121	8	78
DG161124	2	56
DG161224	3	52
DG171025	14	50
DH101048	6	8
DH101264	8	22
DH101301	6	38
DH101380	6	20
DH101380	10	22
DH101380	7	42
DH101392	9	8
DH101509	9	18
DH111013	15	42
DH111015	13	42
DH121038	13	36

Part Number	Figure No.	Page No.
DH151029	7	50
DH151029	16	64
DH161066	7	56
DH161121	4	56
DH181023	18	70
DJ161069	2	54
DJ161072	8	90
DJ201219	11	92
DJ221003	11	66
DJ221004	12	66
DK101386	7	8
DK101595	5	40
DK101610	8	38
DK201049	5	48
DK211007	4	44
DL191013	7	66
DM151024	2	58
DM151027	4	58
DP121025	11	36
DP141020	1	76
DP161094	15	36
DP161144	15	90
DP161145	9	90
DP161163	12	52
DP161170	10	52
DP171006	2	50
DP181021	5	86
DP181021	13	90
DP181040	10	86
DP181041	9	86
DP201044	6	90
DS101117	4	26
DS101154	7	12

Part Number	Figure No.	Page No.
DS101215	11	28
DS109905	8	8
DS121126	12	36
DS141009	2	76
DS151090	17	62
DS151091	20	60
DS151094	17	60
DS151094	20	62
DS151095	19	60
DS161125	1	54
DS161150	9	30
DS181012	11	70
DS181015	16	70
DS181016	17	70
DS191018	27	68
DS191052	8	66
DS201025	4	92
DT181265	5	78
DU101190	5	6
DU101213	19	14
DU161102	3	78
DU161119	13	78
DU161196	6	48
DU191021	14	80
DU201108	1	86
DU201110	14	86
DU201111	15	86
DX101069	2	24
DX151010	10	62
DX191009	25	68
DZ141040	6	76
DZ161055	8	84
DZ171009	3	50

Part Number	Figure No.	Page No.
DZ191025	10	80
DZ191028	12	80
DZ201002	9	76
DZ201015	5	90
DZ201019	9	76
DZ201044	1	66
FD101078	2	24
FD181019	15	66
FD181020	14	66
FD181030	4	66
FD181031	13	66
GF201053	11A	92
JA113202	6	56
JA113403	5	46
JA121003	18	50
JA131205	9	62
JA131606	9	60
JA511211	6	6
JA511216	4	8
JA521018	3	8
JA521019	12	8
JA521019	5	28
JA531007	14	32
JA531012	8	12
JA531015	5	12
JA541005	5	22
JA541005	5	30
JA541010	5	20
JA541011	3	20
JA541011	4	22
JA541012	8	20
JA541014	7	20
JA541016	3	24

[www.seacubemoto.com](http://www.seacubemoto.com)

Part Number	Figure No.	Page No.
JA541021	15	22
JA541028	6	42
JA541211	14	28
JA541212	15	28
JA541225	13	28
JA541235	10	20
JA541235	12	22
JA541236	16	28
JA541237	17	28
JA551002	3	14
JA551004	7	14
JA551008	15	14
JA551009	16	14
JA551406	2	32
JA551420	11	32
JA561002	5	16
JA581406	11	4
JA591040	2	38
JA621002	5	26
JA621006	2	26
JA621201	10	26
JA621206	13	26
JB122011	22	62
JB131019	23	62
JB131223	15	62
JB131224	19	62
JB131225	21	62
JB131605	18	62
JB181223	8	48
JB401400	5	66
JB402202	7	10
JB511011	4	2
JB511015	6	2

Part Number	Figure No.	Page No.
JB511019	7	4
JB531021	9	12
JB551000	18	14
JB551408	4	32
JB551412	8	32
JB571005	1	24
JB571006	5	24
JB581202	16	34
JB581204	17	34
JB581229	7	34
JB581230	8	34
JB581237	12	34
JB581248	15	34
JB581256	9	34
JB581258	13	34
JB581260	11	34
JB581272	12	4
JD141003	1	62
JD161002	6	64
JD161006	7	64
JD351206	14	42
JD402217	24	68
JD402217	10	92
JD511203	7	6
JD521002	3	10
JD561004	3	16
JD561011	6	16
JE511240	8	6
JE521016	11	8
JE531001	2A	12
JE541028	12	20
JE541038	17	22
JE541042	5	42

Part Number	Figure No.	Page No.
JE551409	12	32
JE591002	3	38
JE621003	9	26
JG181259	7	84
JG401808	12	92
JG571024	13	22
JH561200	5	18
JK113008	11	52
JK121007	19	70
JK121009	20	70
JK131016	13	60
JK131018	14	60
JK131019	15	60
JK131023	8	60
JK131024	18	60
JK131025	23	60
JK131037	1	58
JK131037	2	60
JK131203	26	62
JK131806	22	60
JK131807	5	60
JK191005	5	44
JK401007	6	88
JK401008	7	88
JK401009	1	88
JK401010	4	88
JL181219	10	78
JL401801	15	92
JL541227	12	28
JN351604	5	92
JP541208	6	30
JV511011	5	2
JV511012	3	2

Part Number	Figure No.	Page No.
JV511013	1	2
JW351400	4	10
JW541005	2	28
JW561206	2	18
JW561208	3	18
JW591028	5	38
JW591030	7	38
JZ111201	1	48
JZ161019	2	64
JZ232805	10	90
JZ401403	10	66
JZ401600	1	92
JZ541214	7	28
JZ551205	13	14
JZ561002	4	16
KADa0610	18	90
KADA0610	14	92
KADa0616	14	90
KADc0610	5	84
KADD0814	2	92
KADD0820	8	52
KADF0610	9	54
KADF0612	12	78
KADf0614	16	36
KADF0614	8	54
KADf0616	16	42
KADf0616	6	86
KADF0625	5	54
KADF0625	13	76
KADf0816	2	96
KBAB0608	8	42
KBRa4216	2	86
KBUa0510	17	90

Part Number	Figure No.	Page No.
KBUa0616	2	80
KCBa1006	12	62
KCGa0606	13	80
KCGa0808	9	46
KCGa1010	3	88
KCGD0505	12	90
KCGD0606	7	90
KCGf1010	5	88
KDAA0408	2A	86
KDBa0512	16	90
KDBa0613	3	80
KDCB0816	7	52
KHAA3235	5	56
KPBB6200	1	60
KPBB6300	26	60
KPBC6004	8	62
LAC00052	5	42
LAD00001	3	46
LAD00001	4	96
LAD00002	3	96
LAD00011	4	40
LAD00048	8	46
LAD00048	6	96
LAD00121	4	46
LAD00126	16	52
LAD00127	6	84
LAD00127	19	92
LAD00131	8	96
LAJ00002	6	4
LCG00001	2	46
LCJ00001	7	60
LDB00044	4	18
LJA00004	14	22

Part Number	Figure No.	Page No.
PA113416	1	46
PA113417	1A	46
PA121042	8	70
PA131204	3	58
PA161004	13	64
PA161006	1	64
PA161207	6	44
PA161208	3	82
PA161211	2	44
PA161217	1	82
PA231002	1	94
PA231211	1	96
PA401810	3	92
PA521214	6	10
PA551002	1	14
PA551205	14	14
PA551206	12	14
PA551207	2	14
PA581053	14	36
PA581221	10	34
PA581224	8	4
PA621005	7	26
PF111060	1	48
PF111092	3	48
PF111096	4	48
PF113012	4	52
PF113013	1	52
PF113014	9	52
PF113016	15	52
PF113028	2	52
PF113028	6	52
PF113203	1	56
PF113403	7	46

Part Number	Figure No.	Page No.
PF121043	1	70
PF121057	2	70
PF121064	3	70
PF121073	6A	70
PF121076	13	70
PF121079	17	66
Pf122012	12	50
PF122014	1	50
PF122019	6	50
PF122019	15	64
PF131235	11	62
PF131236	25	62
PF131237	24	62
PF131239	7	62
PF151015	2	66
PF161005	9	66
PF161006	8	64
PF161007	21	66
PF161013	22	66
PF161014	6	66
PF161015	7	66
PF161218	4	82
PF161219	2	82
PF161220	3	82
PF171803	15	76
PF181214	1	80
Pf181217	1	84
PF181218	2	84
PF181219	3	84
PF181221	13	92
PF181230	4	78
PF181231	1	78
PF181232	9	78

Part Number	Figure No.	Page No.
PF181236	12	86
PF181237	3	86
PF181238	4	86
PF181239	11	86
PF181246	7	86
PF181248	8	86
PF181416	4	54
PF181422	5	54
PF181423	3	54
PF181424	6	54
PF191011	1	44
PF231204	5	96
Pf232603	26	68
PF232603	2	78
PF351013	1	42
PF351015	1	42
PF351017	2	42
PF351206	3	42
PF351217	9	42
PF351219	9A	42
PF351601	3	40
PF401417	1	66
PF401810	12A	92
PF401811	12B	92
PF401812	15	92
PF402000	4	42
PF402218	8	92
PF402220	8	92
PF402223	7	92
PF402224	6	92
PF402412	4	80
PF501037	1	20
PF501040	1	20

[www.seacubemoto.com](http://www.seacubemoto.com)

Part Number	Figure No.	Page No.
PF511061	2	4
PF511203	5	8
PF511209	1	8
PF531011	1	12
PF541018	2	20
PF541029	1	22
PF541031	11	20
PF541042	1	22
PF541237	1	30
PF541240	6	30
PF541242	6	42
PF541243	3	28
PF541244	7	30
PF541246	1	30
PF541248	7	30
PF541249	3	30
PF541249	5	74
PF541250	6A	28
PF541250	6	74
PF541251	9	30
PF551003	8	14
PF551200	6	14
PF551201	5	14
PF551203	10	14
PF551204	11	14
PF551206	9	14
PF551407	9	28
PF551411	7	32
PF551412	1	32
PF551413	1	32
PF551422	10	32
PF551423	9	32
PF551426	7	32

Part Number	Figure No.	Page No.
PF551427	8	32
PF551428	4	32
PF561000	1	16
PF561002	2	16
PF561005	5	16
PF561200	1	18
PF561203	6	18
PF561400	8	18
PF581038	1	36
PF581040	5	36
PF581044	3	36
PF581045	2	36
PF581046	4	36
PF581047	7	2
PF581047	10	36
PF581048	9	36
PF581049	8	36
PF581051	7	36
PF581052	6	36
PF581215	1	34
PF581309	14	34
PF581410	9	4
PF591146	4	38
PF621003	1	26
PF621200	10	26
PF621400	1	40
PF621402	9	22
PF621403	2	40
YDZ05005	1	90
YDZ05006	2	90
YPF08001	1	38
YPF08006	9	80
YPF08007	8	80

Part Number	Figure No.	Page No.
YPF08008	7	80
YPF08009	6	80
YPF08010	5	80
YPF08011	6	80
YPF08012	9	80
YPF08015	7	80
YPF08016	8	80
YPF08017	5	80

Part Number	Figure No.	Page No.
<a href="http://www.seacubemoto.com">www.seacubemoto.com</a>		

Part Number	Figure No.	Page No.
-------------	------------	----------

Part Number	Figure No.	Page No.
-------------	------------	----------

# Parts Index

Part Number	Figure No.	Page No.

Part Number	Figure No.	Page No.

[www.seacubemoto.com](http://www.seacubemoto.com)

Part Number	Figure No.	Page No.

Part Number	Figure No.	Page No.