



XR125LEK/XL125LEK/XR150LEK

**XR125LEK_E
XL125LEK_E
XR150LEK_E**

PARTS CATALOGUE

1

FOREWORD INDEX

1

ENGINE GROUP

2

FRAME GROUP

3

PART NUMBER INDEX

4

PART NAME INDEX

5

Instruction for use of parts catalogue

- **This parts catalogue has been created as of February 10, 2014.**
 - Since this date, the sales practice for repair parts may have been changed or the parts may have been eliminated (listed for those not for sale).
 - The modified information is reflected on the latest Electronic Parts Catalogue (EPC). Also, refer to the parts catalogue news for any change.
 - See the parts catalogue news for any revision that is made after February 10, 2014.
- **Always specify the part number when ordering a part.**
 - Check the model, type, serial numbers, color, maker, and the size as needed before ordering a part.
 - Note that the illustrations (part drawings) can differ from the actual parts in shape. They are given just to help you to refer to the parts.
- **When modifications or additions to this parts catalogue are made, a revised edition will be issued at an appropriate time, with successively progressing revision numbers on the cover. We recommend obtaining such revisions in order to keep your parts catalogue up-to-date at all times. To check whether a parts catalogue revision has been issued, please contact your Honda distributor.**

Initial version issue date
February 10, 2014
Honda Motor Co., Ltd.

CONTENTS

	Page	Address No.
● Instruction for use of parts catalogue	1	B 1
● How to refer to the part information	2	B 2
● Part catalogue structure	3	B 3
● When the parts were revised	5	B 5
● Abbreviations used in the parts catalogue	5	B 5
● Part block and serial number check	6	B 6
● Color label attachment position check	6	B 6
● Models, parts catalogue codes and applicable serial numbers	7	B 7
● Color label	8	B 8
● Color chart	9	B 9
● Fuel hose, general purpose hoses and vinyl hose	19	C 3
● FLAT RATE SERVICE TIME	23	C 7
● Illustrated index	28	C12
● ENGINE GROUP	36	E 1
● FRAME GROUP	59	G 1
● PART NO. INDEX	112	K 1
● PART NAME INDEX	117	L 1

How to refer to the part information

A Reference with "Illustrated index"

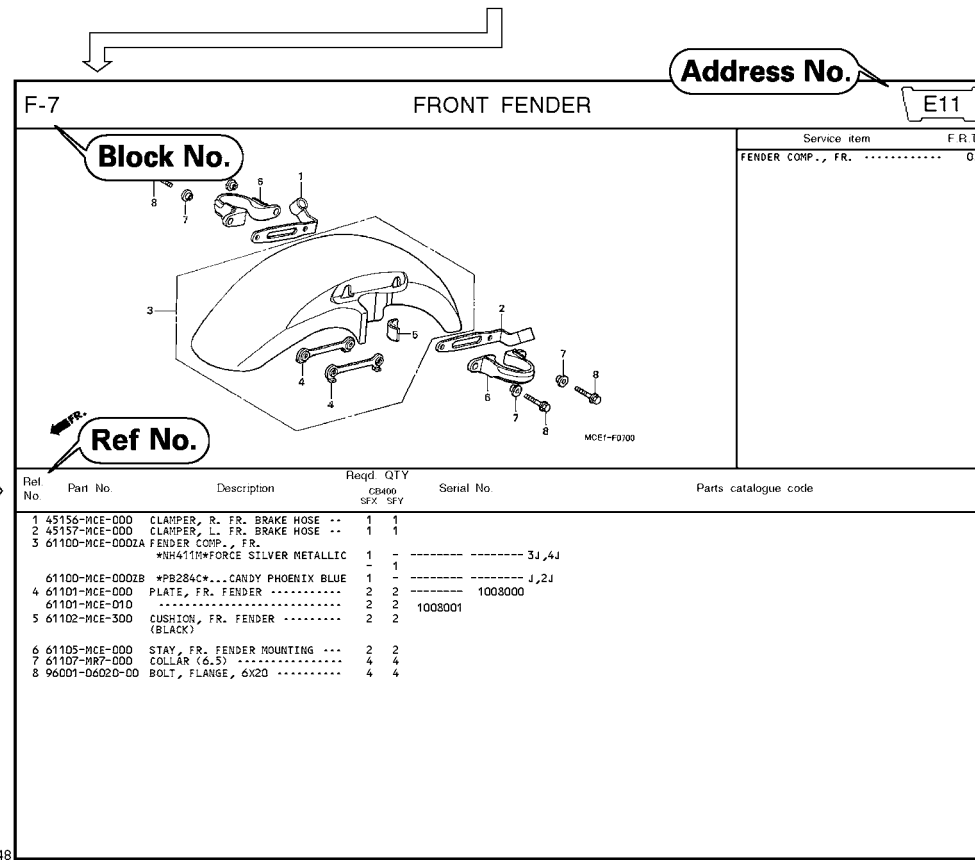


B Reference with "Part number index"

PART NO. INDEX					
Part Number	Address	Page	Rel.	Part Number	Address Page Rel.
04000				13323-MY9-751	C12 28 10 14921
04911-MCE-000	C10 26 1			13324-MY9-751	C12 28 10 14931
				13325-MY9-751	C12 28 10 14932
				13327-MY9-751	C12 28 10 14933
06000				14000	14934
06405-MY9-P00	F13 67 3			14100-MCE-000	B13 13 2 14935
06405-MY9-P10	F13 67 3			14200-MCE-000	B13 13 3 14936
06410-MY9-860	F2 56 1			14321-MCE-000	B16 16 2 14937
06435-MCE-006	F1 55 1			14401-MCE-003	B16 16 3 14938
06451-769-405	E13 51 2			14510-MBE-000	B16 16 4 14941
06451-443-405	F1 55 2			14520-MY9-691	B16 16 5 14942
06451-MA7-405	E13 51 1			14524-MY9-690	B16 16 6 14943
06455-MCE-006	E13 51 3			14546-MCE-000	B16 16 7 14944
				14620-MY9-691	B16 16 8 14945
11000				14711-MCE-000	B13 13 4 14946
11210-MCE-000	C9 25 1			14712-MCE-000	B13 13 5 14947
11330-MCE-305	C2 18 1			14721-MCE-000	B13 13 6 14948
11333-KT8-000	C6 22 1			14722-MCE-000	B13 13 7 14949
11335-MCE-000	C2 18 2			14730-MCE-000	B13 13 8 14950
11360-MCE-000	C7 23 1			14731-MCE-000	B13 13 9 14951
11365-MCE-000	C7 23 2			14731-MY9-751	B13 13 10 14952
11396-MY9-000	C2 18 3			14751-KY2-000	B13 13 11 14953
11631-MCE-000	C5 21 1			14751-MCE-000	B13 13 12 14954
11691-MY9-000	C5 21 2			14761-MCE-000	B13 13 13 14955

C Reference with "Part name index"

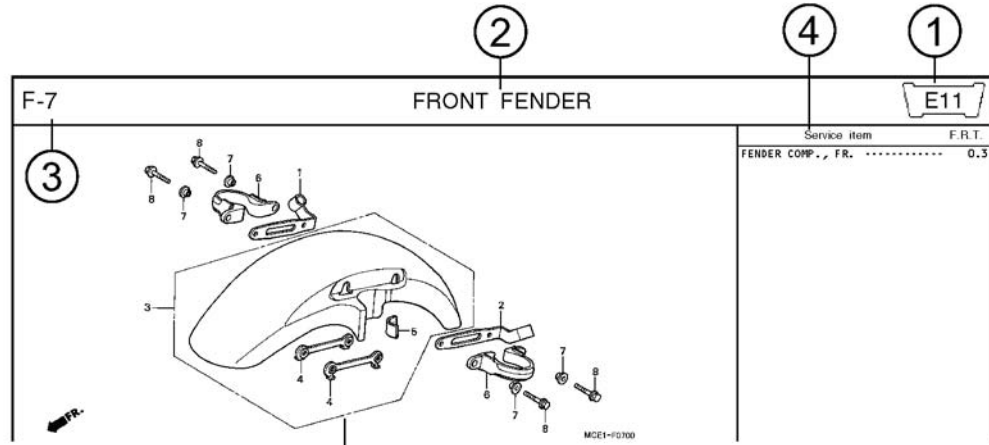
PART NAME INDEX					
Part name	Address	Page	Ref.	Part name	Address Page Ref.
[A]				BOLT , CHANG I	
ADJUSTER , CHAIN	F13 67 5			BOLT , CLUTC H	
ARM COMP. , SEA R CHANGE	F10 64 4			BOLT , CONNECT	
ARM , L. MAIN STEP	F11 65 8			BOLT , DISK , 6	
ARM , L. PILLI O STEP	F11 65 12			BOLT , DISK , 8	
ARM , R. MAIN STEP	F11 65 5			BOLT , DRAIN I	
ARM , R. PILLI O STEP	F11 65 11			BOLT , FLANG E	
AUT O DOC K ASSY. , FUEL	F4 58 2			BOLT , FLANG E	
AXLE , FR. WHEEL	E14 52 3			BOLT , FLANG E	
AXLE , RR. WHEEL	F2 56 3			BOLT , FLANG E	
[B]				BOLT , FLANG E	
BAG , AIR PRESSUR E GAUGE	F67 77 4			BOLT , FLANG E	
BAG , SERVICE BOOK	F67 77 1			BOLT , FLANG E	
BAG , TOOL	F67 77 3			BOLT , FLANG E	
BALL , STEEL	F11 65 20			BOLT , FLANG E	
BAND A , INSULATOR	B11 11 11			BOLT , FLANG E	
BAND B , INSULATOR	B11 11 12			BOLT , FLANG E	
BAND , AIR CLEANER CONNECTING				BOLT , FLANG E	
BAND , U-LOCK	F8 62 22			BOLT , FLANG E	
BAND , WIRE	F16 70 3			BOLT , FLANG E	
	C10 26 14				
	E5 43 21				
	F6 74 18				



Page No.

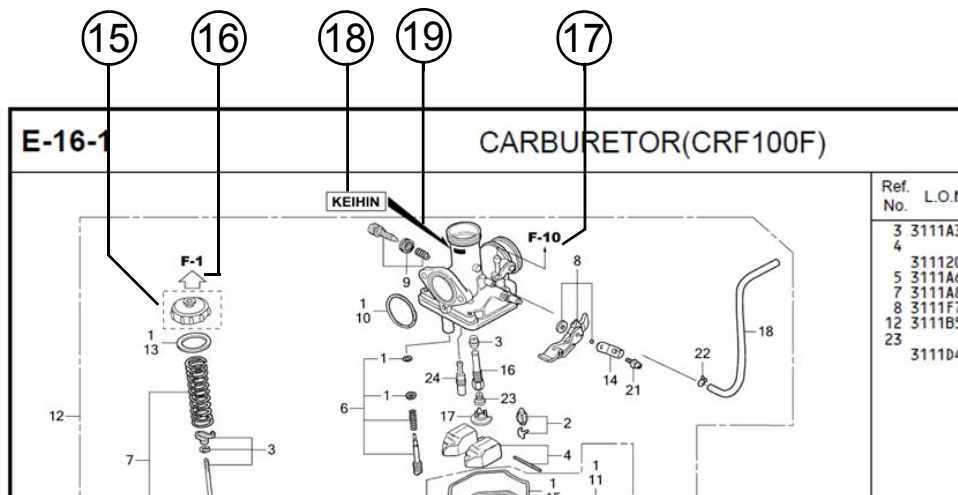
2000.09.01 E

Part catalogue structure



Ref. No.	Part No.	Description	Reqd. QTY CB400 SFX SFY	Serial No.	Parts catalogue code
1	45156-MCE-000	CLAMPER, R. FR. BRAKE HOSE ..	1 1		
2	45157-MCE-000	CLAMPER, L. FR. BRAKE HOSE ..	1 1		
3	61100-MCE-000ZA	FENDER COMP., FR. *NH411M*FORCE SILVER METALLIC	1 -	----- 3J,4J	
	61100-MCE-000ZB	*PB284C*...CANDY PHOENIX BLUE	- 1	----- J,2J	
4	61101-MCE-000	PLATE, FR. FENDER	2 2	1008000	
	61101-MCE-010	2 2	1008001	
5	61102-MCE-300	CUSHION, FR. FENDER	2 2		
		(BLACK)			

- ① **Address number**
 - Address No. is provided (in place of the page No.) to help you refer to the part with the part No. or part name.
- ② **Block title** ③ **Block number**
- ④ **Service item/Flat rate time**
- ⑤ **Reference number**
 - Title number marked with the parenthesis or parentheses indicates that it continues from the previous page.
- ⑥ **Part number** ⑦ **Honda color code**
- ⑧ **Description**
- ⑨ **Assemblies**
 - Sections framed with broken lines in the exploded view drawings are available as complete assemblies. (Their individual parts can also be obtained.)
- ⑩ **Color description**
- ⑪ **Note**
 - Notes are shown with the parentheses in the part name column.
- ⑫ **Required quantity**
 - Reqd. QTY shown in the parenthesis or parentheses indicates the optional part.
 - Reqd. QTY marked with "N" indicates the optional part that should be selected as needed.
 - Reqd. QTY indicates the number of the part used in the block.
- ⑬ **Serial number**
- ⑭ **Parts catalogue code**
 - When the parts catalogue code column is blank, it indicates that the part is applicable to all codes.



⑮
 • Parts enclosed within a dotted line are covered in a different block.

⑯
 • A hollow arrow indicates the block No. for the parts enclosed within a dotted line .

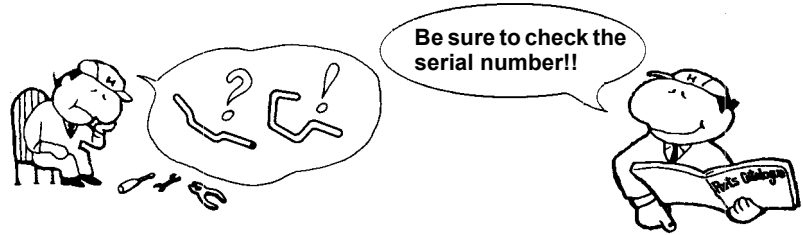
⑰
 • A solid arrow indicates the block No. the part in question is connected to.

⑱ **Replacement Identification Information for Designated Part No.**

⑲ **Location of Replacement Identification Information for Designated Part No.**

- If an arrow mark is indicated in 19, the part is incompatible with a different part No.
- Make sure to order the part of the same manufacture, including the component part.
- To make an order, indicate the part No., which includes the symbol displayed on the applicable section of the part to be replaced.

When the parts were revised



Ref. No.	Part No.	Description	Reqd. QTY		Serial No.
			CB400 SFX	SFY	
1	45156-MCE-000	CLAMPER, R. FR. BRAKE HOSE ..	1	1	
2	45157-MCE-000	CLAMPER, L. FR. BRAKE HOSE ..	1	1	
3	61100-MCE-000ZA	FENDER COMP., FR. *NH411M*FORCE SILVER METALLIC	1	-	-----3J,4J
	61100-MCE-000ZB	*PB284C*...CANDY PHOENIX BLUE	1	-	-----J,2J
4	61101-MCE-000	PLATE, FR. FENDER (###).....	2	2	-----1008000
	61101-MCE-010	2	2	-----1008001
5	61102-MCE-300	CUSHION, FR. FENDER (BLACK)	2	2	
6	61105-MCE-000	STAY, FR. FENDER MOUNTING ...	2	2	
7	61107-MR7-000	COLLAR (6,5)	4	4	
8	96001-06020-00	BOLT, FLANGE, 6X20	4	4	

The number has been used from the initial model without revision.

When shown at the left side, it is applicable to the models of No.1008001 and the subsequent numbers.

When shown at the right side, it is applicable to the models up to No.1008000.

The parts listed with "###" at the end of the parts name have limited supply period (parts not for sale).

Abbreviations used in the parts catalogue

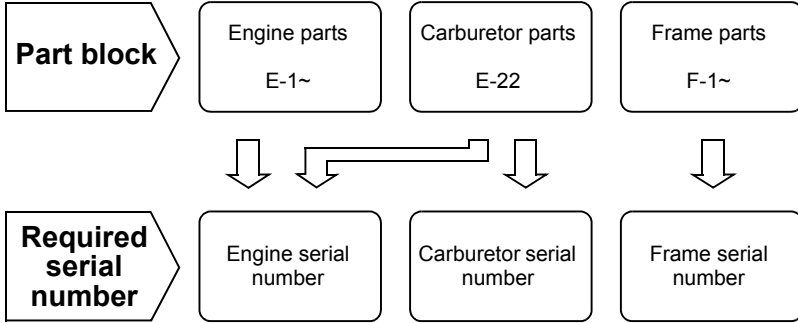


* "L." or "R." in the description of a part stands for the LEFT hand side or the RIGHT hand side. Determine the left or right as if you were in the motorcycle seat.

The following abbreviations are used in this parts catalogue.

- A Ampere
- ABS Anti-lock brake system
- A.C. Alternating current
- A.M. Attaching mark
- ASSY. Assembly
- C.D.I. Capacitive discharge ignition
- COMP. ... Complete
- D.C. Direct current
- EX. Exhaust
- FR. Front
- G Gram
- HEX. Hexagonal
- IN. Inlet
- KPH Kilometers per hour
- L.Left
- L (100L) .Link (100 Links)
- L.E.D.Light emitted diode
- MMMillimeter
- MPHMiles per hour
- R.Right
- RR.Rear
- STD.Standard
- T (22T) ...Tooth (22 Teeth)
- TCSTraction control system
- T.M.Transcript mark
- VVolt
- WWatt
- WLWith labelling
- WOLWithout labelling

Part block and serial number check

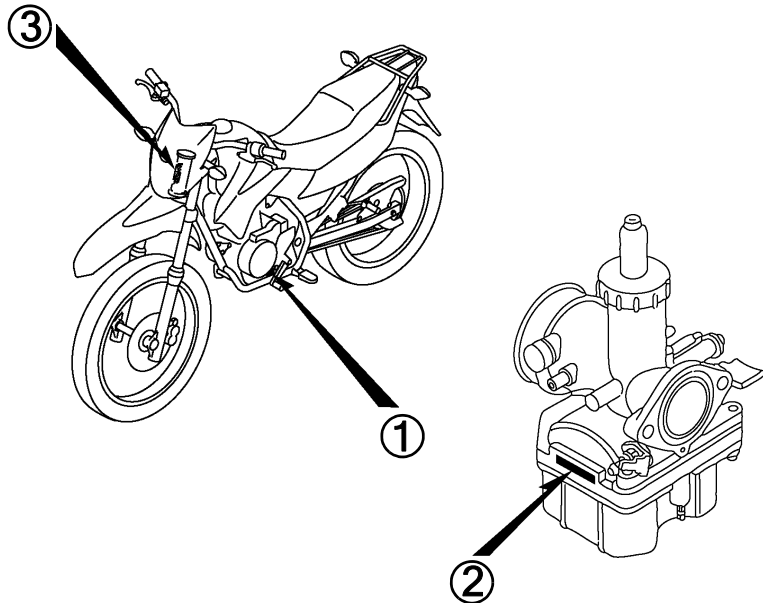


Check point

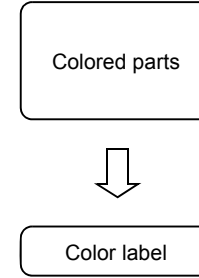
①

②

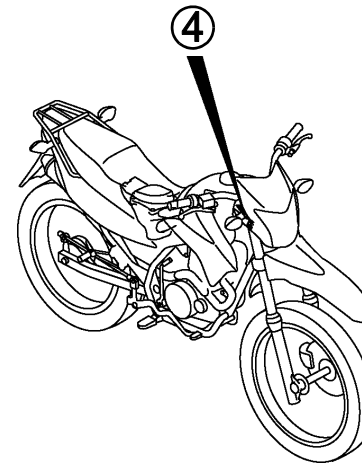
③



Color label attachment position check



④



Models, parts catalogue codes and applicable serial numbers

Models, parts catalogue codes and applicable serial Nos. given in this parts catalogue can be identified as follows.

Parts with parts catalogue codes are exclusive for models destined for countries designated.

If no area codes are listed, parts are for common use.

Model	Area code	Type	Applicable engine serial No.	Applicable frame serial No.	Applicable carburetor identification No.
XR125LEKE	3LA	Latin America			PDN2J A
	DK	General export (KPH)			
	SA	South Africa			PDN2H A
XL125LEKE	2SA	South Africa			PDN2H A
XR150LEKE	1LA	Latin America			PDN2P A
	3LA				PDN2M A
	DK	General export (KPH)			
	NZ	New Zealand			PDN2P A
	SA	South Africa			

* Of carburetor/throttle body identification numbers, only the portions underlined in the example below are used for registration.

PDN2J A KC ア

Color label

1

- When ordering parts, check the model name, main color, and code by observing the “COLOR LABEL” on the vehicle.
- When ordering a colored part, use the color chart in the instruction for use of parts catalogue.

VFR800FIW COLOR R-157 CODE R157	MODEL		VFR800FIW					
	No.	COLOR	Sparkling silver metallic	Mute black metallic	Applicable model		Applicable block No.	Re
		CODE	NH-295M	NH-359M	Initial applicable model	Final applicable model		
	Name of colored parts	Basic part No.	NH295	NH359				
1								
2								
3								
4								
5								
6								
7								
8								
9								
10								

Color chart

- When ordering a colored part, refer to the chart below and use a part number consisting of the relevant basic part number to which has been added a part color code.

XR125LEK (XR125LEKE).....3LA

No.	MODEL		XR125LEKE						
	COLOR		Fighting red	Black	Ross white	Applicable model		Applicable block No.	Ref. No.
	CODE		R-134	NH-1	NH-196	Initial applicable model	Final applicable model		
	Name of colored parts	Basic part No.	R134	NH1	NH196				
1	BODY COMP., FRAME	50100-KRH-A00	ZB	ZB	ZB			F-39	1
2	BRIDGE COMP., FORK TOP	53300-KRH-660	ZA	ZA	ZA			F-7	7
3	CARRIER COMP., RR.	81200-KRH-780	ZA	ZA	ZA			F-34	5
4	COVER SET, R. SIDE	83510-KRH-900	ZB	ZB	ZB			F-24	3
5	COVER, L. FR. SIDE	83601-KRH-900	ZA	ZA	ZA			F-24	7
6	COVER, L. SIDE	83600-KRH-900	ZB	ZB	ZB			F-24	6
7	COVER, R. FR. SIDE	83501-KRH-900	ZA	ZA	ZA			F-24	1
8	COWL SET, RR.	80100-KRH-900	ZB	ZB	ZB			F-34	4
9	FENDER, FR.	61100-KRH-660	ZA	ZC	ZB			F-10	1
10	HUB SUB ASSY., RR.	42635-KRH-780	ZA	ZA	ZA			F-19-10	7
11	LABEL, DRIVE CAUTION	87560-KYY-600	ZB	ZB	ZB			F-49	6
12	MARK, FR.	61315-KRH-900	ZC	ZC	ZC			F-50	2
13	MARK, RR.	61310-KRH-900	ZC	ZC	ZC			F-50	1
14	PANEL COMP., RR. BRAKE	43100-KRH-900	ZA	ZA	ZA			F-18	2
15	PIPE, STEERING HANDLE	53100-KRH-900	ZA	ZA	ZA			F-7	5
16	PROTECTOR, EX. PIPE	18345-KRH-900	ZA	ZA	ZA			F-27	9

XR125LEK (XR125LEKE).....3LA

No.	MODEL		XR125LEKE						
	COLOR		Fighting red	Black	Ross white	Applicable model		Applicable block No.	Ref. No.
	CODE		R-134	NH-1	NH-196	Initial applicable model	Final applicable model		
	Name of colored parts	Basic part No.	R134	NH1	NH196				
17	SEAT COMP., DOUBLE	77200-KRH-780	ZB	ZB	ZB			F-23	2
18	SHROUD SET, L. TANK	19200-KRH-620	ZC	ZB	ZA			F-21	13
19	SHROUD SET, R. TANK	19100-KRH-620	ZC	ZB	ZA			F-21	12
20	STRIPE A, L. TANK SHROUD	86192-KRH-660	ZC	ZB	ZA			F-50	6
21	STRIPE A, R. TANK SHROUD	86191-KRH-660	ZC	ZB	ZA			F-50	4
22	STRIPE B, L. TANK SHROUD	86194-KRH-620	ZC	ZB	ZA			F-50	9
23	STRIPE B, R. TANK SHROUD	86193-KRH-620	ZC	ZB	ZA			F-50	7
24	SWINGARM SUB ASSY., RR.	52200-KRH-780	ZA	ZA	ZA			F-32	14
25	TANK COMP., FUEL	17510-KRH-900	ZA	ZA	ZA			F-21	2
26	VISOR SET, FR.	61300-KRH-660	ZA	ZA	ZA			F-1	11
27	WHEEL SUB ASSY., RR.	42650-KRH-A00	ZA	ZA	ZA			F-19-10	8

XR125LEK (XR125LEKE).....DK,SA

No.	MODEL		XR125LEKE						
	COLOR		Fighting red	Black	Ross white	Applicable model		Applicable block No.	Ref. No.
	CODE		R-134	NH-1	NH-196	Initial applicable model	Final applicable model		
	Name of colored parts	Basic part No.	R134	NH1	NH196				
1	BODY COMP., FRAME	50100-KRH-A00	ZB	ZB	ZB			F-39	1
2	BRIDGE COMP., FORK TOP	53300-KRH-660	ZA	ZA	ZA			F-7	7
3	CARRIER COMP., RR.	81200-KRH-780	ZA	ZA	ZA			F-34	5
4	COVER SET, R. SIDE	83510-KRH-900	ZB	ZB	ZB			F-24	3
5	COVER, L. FR. SIDE	83601-KRH-900	ZA	ZA	ZA			F-24	7
6	COVER, L. SIDE	83600-KRH-900	ZB	ZB	ZB			F-24	6
7	COVER, R. FR. SIDE	83501-KRH-900	ZA	ZA	ZA			F-24	1
8	COWL SET, RR.	80100-KRH-900	ZB	ZB	ZB			F-34	4
9	FENDER, FR.	61100-KRH-660	ZA	ZC	ZB			F-10	1
10	HUB SUB ASSY., RR.	42635-KRH-780	ZA	ZA	ZA			F-19-10	7
11	LABEL, DRIVE CAUTION	87560-KYY-600	ZB	ZB	ZB			F-49	6
12	LABEL, RR. CARRIER	81220-KV8-860	ZA	ZA	ZA			F-49	1
13	MARK, FR.	61315-KRH-900	ZC	ZC	ZC			F-50	2
14	MARK, RR.	61310-KRH-900	ZC	ZC	ZC			F-50	1
15	PANEL COMP., RR. BRAKE	43100-KRH-900	ZA	ZA	ZA			F-18	2
16	PIPE, STEERING HANDLE	53100-KRH-900	ZA	ZA	ZA			F-7	5
17	PROTECTOR, EX. PIPE	18345-KRH-900	ZA	ZA	ZA			F-27	9
18	SEAT COMP., DOUBLE	77200-KRH-780	ZB	ZB	ZB			F-23	2

XR125LEK (XR125LEKE).....DK,SA

1

No.	MODEL		XR125LEKE						
	COLOR		Fighting red	Black	Ross white	Applicable model		Applicable block No.	Ref. No.
	CODE		R-134	NH-1	NH-196	Initial applicable model	Final applicable model		
	Name of colored parts	Basic part No.	R134	NH1	NH196				
19	SHROUD SET, L. TANK	19200-KRH-620	ZC	ZB	ZA			F-21	13
20	SHROUD SET, R. TANK	19100-KRH-620	ZC	ZB	ZA			F-21	12
21	STRIPE A, L. TANK SHROUD	86192-KRH-660	ZC	ZB	ZA			F-50	6
22	STRIPE A, R. TANK SHROUD	86191-KRH-660	ZC	ZB	ZA			F-50	4
23	STRIPE B, L. TANK SHROUD	86194-KRH-620	ZC	ZB	ZA			F-50	9
24	STRIPE B, R. TANK SHROUD	86193-KRH-620	ZC	ZB	ZA			F-50	7
25	SWINGARM SUB ASSY., RR.	52200-KRH-780	ZA	ZA	ZA			F-32	14
26	TANK COMP., FUEL	17510-KRH-900	ZA	ZA	ZA			F-21	2
27	VISOR SET, FR.	61300-KRH-660	ZA	ZA	ZA			F-1	11
28	WHEEL SUB ASSY., RR.	42650-KRH-A00	ZA	ZA	ZA			F-19-10	8

XL125LEK (XL125LEKE)

No.	MODEL		XL125LEKE					Applicable block No.	Ref. No.
	COLOR		Fighting red	Ross white	Applicable model				
	CODE		R-134	NH-196	Initial applicable model	Final applicable model			
	Name of colored parts	Basic part No.	R134	NH196					
1	BODY COMP., FRAME	50100-KRH-640	ZA	ZA			F-39	1	
2	BRIDGE COMP., FORK TOP	53300-KRH-660	ZA	ZA			F-7	7	
3	CARRIER COMP., RR.	81200-KRH-780	ZA	ZA			F-34	5	
4	COVER SET, R. SIDE	83510-KRH-900	ZB	ZB			F-24	3	
5	COVER, L. FR. SIDE	83601-KRH-900	ZA	ZA			F-24	7	
6	COVER, L. SIDE	83600-KRH-900	ZB	ZB			F-24	6	
7	COVER, R. FR. SIDE	83501-KRH-900	ZA	ZA			F-24	1	
8	COWL SET, RR.	80100-KRH-900	ZB	ZB			F-34	4	
9	FENDER, FR.	61100-KRH-660	ZA	ZB			F-10	1	
10	HUB SUB ASSY., FR.	44635-KRH-780	ZA	ZA			F-14-10	6	
11	HUB SUB ASSY., RR.	42635-KRH-780	ZA	ZA			F-19-10	7	
12	MARK, FR.	61315-KRH-900	ZC	ZC			F-50	2	
13	MARK, RR.	61310-KRH-900	ZC	ZC			F-50	1	
14	PANEL COMP., RR. BRAKE	43100-KRH-900	ZA	ZA			F-18	2	
15	PANEL SUB COMP., FR. BRAKE	45010-KRH-780	ZA	ZA			F-13	7	
16	PIPE, STEERING HANDLE	53100-KRH-640	ZA	ZA			F-7	5	
17	PROTECTOR, EX. PIPE	18345-KRH-900	ZA	ZA			F-27	9	
18	SEAT COMP., DOUBLE	77200-KRH-780	ZB	ZB			F-23	2	

XL125LEK (XL125LEKE)

No.	MODEL		XL125LEKE					Applicable block No.	Ref. No.
	COLOR		Fighting red	Ross white	Applicable model				
	CODE		R-134	NH-196	Initial applicable model	Final applicable model			
	Name of colored parts	Basic part No.	R134	NH196					
19	SHROUD SET, L. TANK	19200-KRH-640	ZB	ZA			F-21	13	
20	SHROUD SET, R. TANK	19100-KRH-640	ZB	ZA			F-21	12	
21	STRIPE, L. TANK SHROUD	86192-KRH-640	ZB	ZA			F-50	5	
22	STRIPE, R. TANK SHROUD	86191-KRH-640	ZB	ZA			F-50	3	
23	SWINGARM SUB ASSY., RR.	52200-KRH-780	ZA	ZA			F-32	14	
24	TANK COMP., FUEL	17510-KRH-900	ZA	ZA			F-21	2	
25	VISOR SET, FR.	61300-KRH-660	ZA	ZA			F-1	11	
26	WHEEL SUB ASSY., FR.	44650-KRH-780	ZA	ZA			F-14-10	7	
27	WHEEL SUB ASSY., RR.	42650-KRH-780	ZA	ZA			F-19-10	8	

XR150LEK (XR150LEKE).....1LA,3LA

No.	MODEL		XR150LEKE						
	COLOR		Fighting red	Black	Ross white	Applicable model		Applicable block No.	Ref. No.
	CODE		R-134	NH-1	NH-196	Initial applicable model	Final applicable model		
	Name of colored parts	Basic part No.	R134	NH1	NH196				
1	BODY COMP., FRAME	50100-KRH-A00	ZB	ZB	ZB			F-39	1
2	BRIDGE COMP., FORK TOP	53300-KRH-660	ZA	ZA	ZA			F-7	7
3	CARRIER COMP., RR.	81200-KRH-780	ZA	ZA	ZA			F-34	5
4	COVER SET, L. SIDE	83650-KRH-660	ZA	ZA	ZA			F-24	8
5	COVER SET, R. SIDE	83550-KRH-660	ZA	ZA	ZA			F-24	4
6	COVER, L. FR. SIDE	83601-KRH-900	ZA	ZA	ZA			F-24	7
7	COVER, R. FR. SIDE	83501-KRH-900	ZA	ZA	ZA			F-24	1
8	COWL SET, RR.	80100-KRH-900	ZB	ZB	ZB			F-34	4
9	FENDER, FR.	61100-KRH-660	ZA	ZC	ZB			F-10	1
10	HUB SUB ASSY., RR.	42635-KRH-650	ZA	ZA	ZA			F-19-10	7
11	LABEL, DRIVE CAUTION	87560-KYY-600	ZB	ZB	ZB			F-49	6
12	MARK, FR.	61315-KRH-900	ZC	ZC	ZC			F-50	2
13	MARK, RR.	61310-KRH-900	ZC	ZC	ZC			F-50	1
14	PANEL COMP., RR. BRAKE	43100-KRH-900	ZA	ZA	ZA			F-18	2
15	PIPE, STEERING HANDLE	53100-KRH-900	ZA	ZA	ZA			F-7	5
16	PROTECTOR, EX. PIPE	18345-KRH-900	ZA	ZA	ZA			F-27	9
17	SEAT COMP., DOUBLE	77200-KRH-780	ZB	ZB	ZB			F-23	2
18	SHROUD SET, L. TANK	19200-KRH-660	ZC	ZB	ZA			F-21	13



XR150LEK (XR150LEKE).....1LA,3LA

No.	MODEL		XR150LEKE						
	COLOR		Fighting red	Black	Ross white	Applicable model		Applicable block No.	Ref. No.
	CODE		R-134	NH-1	NH-196	Initial applicable model	Final applicable model		
	Name of colored parts	Basic part No.	R134	NH1	NH196				
19	SHROUD SET, R. TANK	19100-KRH-660	ZC	ZB	ZA			F-21	12
20	STRIPE A, L. TANK SHROUD	86192-KRH-660	ZC	ZB	ZA			F-50	6
21	STRIPE A, R. TANK SHROUD	86191-KRH-660	ZC	ZB	ZA			F-50	4
22	STRIPE B, L. TANK SHROUD	86194-KRH-660	ZC	ZB	ZA			F-50	10
23	STRIPE B, R. TANK SHROUD	86193-KRH-660	ZC	ZB	ZA			F-50	8
24	STRIPE, L. SIDE COVER	86832-KRH-660	ZA	ZA	ZA			F-50	12
25	STRIPE, R. SIDE COVER	86831-KRH-660	ZA	ZA	ZA			F-50	11
26	SWINGARM SUB ASSY., RR.	52200-KRH-780	ZA	ZA	ZA			F-32	14
27	TANK COMP., FUEL	17510-KRH-900	ZA	ZA	ZA			F-21	2
28	VISOR SET, FR.	61300-KRH-660	ZA	ZA	ZA			F-1	11
29	WHEEL SUB ASSY., RR.	42650-KRH-650	ZA	ZA	ZA			F-19-10	8

1

XR150LEK (XR150LEKE).....DK,NZ,SA

No.	MODEL		XR150LEKE						
	COLOR		Fighting red	Black	Ross white	Applicable model		Applicable block No.	Ref. No.
	CODE		R-134	NH-1	NH-196	Initial applicable model	Final applicable model		
	Name of colored parts	Basic part No.	R134	NH1	NH196				
1	BODY COMP., FRAME	50100-KRH-A00	ZB	ZB	ZB			F-39	1
2	BODY COMP., FRAME	50100-KRH-A40	ZB	ZB	ZB			F-39	1
3	BRIDGE COMP., FORK TOP	53300-KRH-660	ZA	ZA	ZA			F-7	7
4	CARRIER COMP., RR.	81200-KRH-780	ZA	ZA	ZA			F-34	5
5	COVER SET, L. SIDE	83650-KRH-660	ZA	ZA	ZA			F-24	8
6	COVER SET, R. SIDE	83550-KRH-660	ZA	ZA	ZA			F-24	4
7	COVER, L. FR. SIDE	83601-KRH-900	ZA	ZA	ZA			F-24	7
8	COVER, R. FR. SIDE	83501-KRH-900	ZA	ZA	ZA			F-24	1
9	COWL SET, RR.	80100-KRH-900	ZB	ZB	ZB			F-34	4
10	FENDER, FR.	61100-KRH-660	ZA	ZC	ZB			F-10	1
11	HUB SUB ASSY., RR.	42635-KRH-650	ZA	ZA	ZA			F-19-10	7
12	LABEL, DRIVE CAUTION	87560-KYY-600	ZB	ZB	ZB			F-49	6
13	LABEL, RR. CARRIER	81220-KV8-860	ZA	ZA	ZA			F-49	1
14	MARK, FR.	61315-KRH-900	ZC	ZC	ZC			F-50	2
15	MARK, RR.	61310-KRH-900	ZC	ZC	ZC			F-50	1
16	PANEL COMP., RR. BRAKE	43100-KRH-900	ZA	ZA	ZA			F-18	2
17	PIPE, STEERING HANDLE	53100-KRH-900	ZA	ZA	ZA			F-7	5
18	PROTECTOR, EX. PIPE	18345-KRH-900	ZA	ZA	ZA			F-27	9



XR150LEK (XR150LEKE).....DK,NZ,SA

1

No.	MODEL		XR150LEKE						
	COLOR		Fighting red	Black	Ross white	Applicable model		Applicable block No.	Ref. No.
	CODE		R-134	NH-1	NH-196	Initial applicable model	Final applicable model		
	Name of colored parts	Basic part No.	R134	NH1	NH196				
19	SEAT COMP., DOUBLE	77200-KRH-780	ZB	ZB	ZB			F-23	2
20	SHROUD SET, L. TANK	19200-KRH-660	ZC	ZB	ZA			F-21	13
21	SHROUD SET, R. TANK	19100-KRH-660	ZC	ZB	ZA			F-21	12
22	STRIPE A, L. TANK SHROUD	86192-KRH-660	ZC	ZB	ZA			F-50	6
23	STRIPE A, R. TANK SHROUD	86191-KRH-660	ZC	ZB	ZA			F-50	4
24	STRIPE B, L. TANK SHROUD	86194-KRH-660	ZC	ZB	ZA			F-50	10
25	STRIPE B, R. TANK SHROUD	86193-KRH-660	ZC	ZB	ZA			F-50	8
26	STRIPE, L. SIDE COVER	86832-KRH-660	ZA	ZA	ZA			F-50	12
27	STRIPE, R. SIDE COVER	86831-KRH-660	ZA	ZA	ZA			F-50	11
28	SWINGARM SUB ASSY., RR.	52200-KRH-780	ZA	ZA	ZA			F-32	14
29	TANK COMP., FUEL	17510-KRH-900	ZA	ZA	ZA			F-21	2
30	VISOR SET, FR.	61300-KRH-660	ZA	ZA	ZA			F-1	11
31	WHEEL SUB ASSY., RR.	42650-KRH-650	ZA	ZA	ZA			F-19-10	8

Fuel hose, general purpose hoses and vinyl hose

- The standard part fuel hose, general purpose hose and vinyl hose may be substituted by the coiled bulk part.
- When ordering the standard part fuel hose, general purpose hose and vinyl hose use the bulk part number written in the parts catalogue in brackets () underneath the part name, or use the catalogue below.
(The bulk part standard length is 1 m, however, those displayed in the catalogue < > are available in 3 m and 8 m lengths.)
- When exchanging the hose, cut and use at the specified length as mentioned in the part name.
(For the method of cutting the bulk part, and method of filling out orders etc., please refer to the service manual and the instructions issued with the bulk part.)
- The list below is a catalogue of the standard part numbers and bulk part numbers. Note that those numbers are applicable to the listed replacement parts only.

Fuel hoses/Tubes			
Standard part No.	Bulk part No.	Bulk part	
		Inner diameter (mm)	Length (m)
95001-30xxx-2x	95001-30001-20M	3.0	1
95001-30xxx-3x	95001-30001-30M	3.0	1
95001-30xxx-4x	95001-30001-40M	3.0	1
95001-35xxx-2x	95001-35001-50M <95001-35003-50M>	3.5	1 3
95001-35xxx-3x	95001-35001-60M <95001-35003-60M>	3.5	1 3
95001-35xxx-4x	95001-35001-60M <95001-35003-60M>	3.5	1 3
95001-35xxx-5x	95001-35001-50M <95001-35003-50M>	3.5	1 3
95001-35xxx-6x	95001-35001-60M <95001-35003-60M>	3.5	1 3
95001-45xxx-2x	95001-45001-50M <95001-45003-50M>	4.5	1 3
95001-45xxx-3x	95001-45001-60M <95001-45003-60M> <95001-45008-60M>	4.5	1 3 8
95001-45xxx-4x	95001-45001-60M <95001-45003-60M> <95001-45008-60M>	4.5	1 3 8
95001-45xxx-5x	95001-45001-50M <95001-45003-50M>	4.5	1 3
95001-45xxx-6x	95001-45001-60M <95001-45003-60M> <95001-45008-60M>	4.5	1 3 8
95001-55xxx-2x	95001-55001-50M <95001-55003-50M> <95001-55008-50M>	5.5	1 3 8

Fuel hoses/Tubes			
Standard part No.	Bulk part No.	Bulk part	
		Inner diameter (mm)	Length (m)
95001-55xxx-3x	95001-55001-60M <95001-55003-60M> <95001-55008-60M>	5.5	1 3 8
95001-55xxx-4x	95001-55001-60M <95001-55003-60M> <95001-55008-60M>	5.5	1 3 8
95001-55xxx-5x	95001-55001-50M <95001-55003-50M> <95001-55008-50M>	5.5	1 3 8
95001-55xxx-6x	95001-55001-60M <95001-55003-60M> <95001-55008-60M>	5.5	1 3 8
95001-75xxx-2x	95001-75001-50M <95001-75003-50M>	7.5	1 3
95001-75xxx-3x	95001-75001-60M <95001-75003-60M> <95001-75008-60M>	7.5	1 3 8
95001-75xxx-4x	95001-75001-60M <95001-75003-60M> <95001-75008-60M>	7.5	1 3 8
95001-75xxx-5x	95001-75001-50M <95001-75003-50M>	7.5	1 3
95001-75xxx-6x	95001-75001-60M <95001-75003-60M> <95001-75008-60M>	7.5	1 3 8
95001-80xxx-2x	95001-80001-50M	8.0	1
95001-80xxx-3x	95001-80001-60M	8.0	1
95001-80xxx-4x	95001-80001-60M	8.0	1
95001-80xxx-5x	95001-80001-50M	8.0	1
95001-80xxx-6x	95001-80001-60M	8.0	1

Vinyl tube				
Standard part No.	Bulk part No.	Bulk part		
		Inner dia- meter (mm)	Outer dia-meter (mm)	Length (m)
95003-01xxx-3x	95003-01001-60M <95003-01003-60M>	2.9	6.8	1 3
95003-01xxx-60	95003-01001-60M <95003-01003-60M>	2.9	6.8	1 3
95003-03xxx-3x	95003-03001-60M <95003-03003-60M>	3.0	6.0	1 3
95003-03xxx-60	95003-03001-60M <95003-03003-60M>	3.0	6.0	1 3
95003-05xxx-3x	95003-05001-60M <95003-05003-60M> <95003-05008-60M>	3.5	6.5	1 3 8
95003-05xxx-60	95003-05001-60M <95003-05003-60M> <95003-05008-60M>	3.5	6.5	1 3 8
95003-07xxx-1x	95003-07001-10M <95003-07003-10M> <95003-07008-10M>	4.0	7.0	1 3 8
95003-07xxx-20	95003-07001-10M <95003-07003-10M> <95003-07008-10M>	4.0	7.0	1 3 8
95003-07xxx-3x	95003-07001-60M <95003-07003-60M> <95003-07008-60M>	4.0	7.0	1 3 8
95003-07xxx-60	95003-07001-60M <95003-07003-60M> <95003-07008-60M>	4.0	7.0	1 3 8
95003-07xxx-7x	95003-07001-70M <95003-07003-70M> <95003-07008-70M>	4.0	7.0	1 3 8
95003-08xxx-1x	95003-08001-10M <95003-08003-10M> <95003-08008-10M>	4.5	6.5	1 3 8
95003-09xxx-3x	95003-09001-60M <95003-09003-60M>	4.5	8.0	1 3
95003-09xxx-60	95003-09001-60M <95003-09003-60M>	4.5	8.0	1 3
95003-10xxx-1x	95003-10001-10M <95003-10003-10M>	5.0	8.0	1 3
95003-10xxx-20	95003-10001-10M <95003-10003-10M>	5.0	8.0	1 3
95003-10xxx-3x	95003-10001-60M <95003-10003-60M>	5.0	8.0	1 3
95003-10xxx-60	95003-10001-60M <95003-10003-60M>	5.0	8.0	1 3
95003-11xxx-3x	95003-11001-60M <95003-11003-60M> <95003-11008-60M>	5.0	9.0	1 3 8
95003-11xxx-60	95003-11001-60M <95003-11003-60M> <95003-11008-60M>	5.0	9.0	1 3 8
95003-12xxx-1x	95003-12001-10M <95003-12003-10M> <95003-12008-10M>	5.0	7.0	1 3 8
95003-12xxx-20	95003-12001-10M <95003-12003-10M> <95003-12008-10M>	5.0	7.0	1 3 8

Vinyl tube				
Standard part No.	Bulk part No.	Bulk part		
		Inner dia- meter (mm)	Outer dia-meter (mm)	Length (m)
95003-14xxx-1x	95003-14001-10M <95003-14003-10M>	6.0	9.0	1 3
95003-14xxx-20	95003-14001-10M <95003-14003-10M>	6.0	9.0	1 3
95003-14xxx-3x	95003-14001-60M <95003-14003-60M>	6.0	9.0	1 3
95003-17xxx-1x	95003-17001-10M <95003-17003-10M>	7.0	9.0	1 3
95003-19xxx-1x	95003-19001-10M <95003-19003-10M> <95003-19008-10M>	7.0	11.0	1 3 8
95003-19xxx-20	95003-19001-10M <95003-19003-10M> <95003-19008-10M>	7.0	11.0	1 3 8
95003-19xxx-3x	95003-19001-60M <95003-19003-60M> <95003-19008-60M>	7.0	11.0	1 3 8
95003-19xxx-60	95003-19001-60M <95003-19003-60M> <95003-19008-60M>	7.0	11.0	1 3 8
95003-21xxx-1x	95003-21001-10M <95003-21003-10M>	8.0	9.0	1 3
95003-21xxx-20	95003-21001-10M <95003-21003-10M>	8.0	9.0	1 3
95003-23xxx-1x	95003-23001-10M <95003-23003-10M>	8.0	12.0	1 3
95003-23xxx-20	95003-23001-10M <95003-23003-10M>	8.0	12.0	1 3
95003-23xxx-3x	95003-23001-60M <95003-23003-60M> <95003-23008-60M>	8.0	12.0	1 3 8
95003-23xxx-60	95003-23001-60M <95003-23003-60M> <95003-23008-60M>	8.0	12.0	1 3 8
95003-25xxx-1x	95003-25001-10M <95003-25003-10M>	9.0	11.0	1 3
95003-25xxx-20	95003-25001-10M <95003-25003-10M>	9.0	11.0	1 3
95003-25xxx-3x	95003-25001-60M <95003-25003-60M>	9.0	11.0	1 3
95003-25xxx-7x	95003-25001-70M <95003-25003-70M>	9.0	11.0	1 3
95003-27xxx-1x	95003-27001-10M <95003-27003-10M>	9.0	13.0	1 3
95003-27xxx-20	95003-27001-10M <95003-27003-10M>	9.0	13.0	1 3
95003-27xxx-3x	95003-27001-60M <95003-27003-60M>	9.0	13.0	1 3
95003-27xxx-60	95003-27001-60M <95003-27003-60M>	9.0	13.0	1 3
95003-33xxx-1x	95003-33001-10M <95003-33003-10M>	10.0	14.0	1 3
95003-33xxx-20	95003-33001-10M <95003-33003-10M>	10.0	14.0	1 3

Vinyl tube				
Standard part No.	Bulk part No.	Bulk part		
		Inner dia- meter (mm)	Outer dia-meter (mm)	Length (m)
95003-36xxx-1x	95003-36001-10M <95003-36003-10M> <95003-36008-10M>	11.0	13.0	1 3 8
95003-36xxx-20	95003-36001-10M <95003-36003-10M> <95003-36008-10M>	11.0	13.0	1 3 8
95003-37xxx-3x	95003-37001-60M <95003-37003-60M>	11.0	15.0	1 3
95003-37xxx-60	95003-37001-60M <95003-37003-60M>	11.0	15.0	1 3
95003-38xxx-1x	95003-38001-10M <95003-38003-10M>	12.0	13.0	1 3
95003-38xxx-20	95003-38001-10M <95003-38003-10M>	12.0	13.0	1 3
95003-39xxx-1x	95003-39001-10M <95003-39003-10M>	12.0	14.0	1 3
95003-39xxx-20	95003-39001-10M <95003-39003-10M>	12.0	14.0	1 3
95003-40xxx-20	95003-40001-10M <95003-40003-10M>	12.0	16.0	1 3
95003-40xxx-3x	95003-40001-60M <95003-40003-60M>	12.0	16.0	1 3
95003-40xxx-60	95003-40001-60M <95003-40003-60M>	12.0	16.0	1 3
95003-43xxx-1x	95003-43001-10M <95003-43003-10M> <95003-43008-10M>	13.0	15.0	1 3 8
95003-43xxx-20	95003-43001-10M <95003-43003-10M> <95003-43008-10M>	13.0	15.0	1 3 8
95003-45xxx-1x	95003-45001-10M <95003-45003-10M> <95003-45008-10M>	14.0	18.0	1 3 8
95003-45xxx-20	95003-45001-10M <95003-45003-10M> <95003-45008-10M>	14.0	18.0	1 3 8
95003-50xxx-1x	95003-50001-10M <95003-50003-10M>	16.0	19.0	1 3
95003-50xxx-20	95003-50001-10M <95003-50003-10M>	16.0	19.0	1 3
95003-50xxx-3x	95003-50001-60M <95003-50003-60M>	16.0	19.0	1 3
95003-55xxx-1x	95003-55001-10M <95003-55003-10M>	17.5	20.5	1 3
95003-55xxx-20	95003-55001-10M <95003-55003-10M>	17.5	20.5	1 3
95003-60xxx-1x	95003-60001-10M <95003-60003-10M>	22.0	27.0	1 3
95003-60xxx-20	95003-60001-10M <95003-60003-10M>	22.0	27.0	1 3
95003-60xxx-3x	95003-60001-60M <95003-60003-60M>	22.0	27.0	1 3
95003-60xxx-60	95003-60001-60M <95003-60003-60M>	22.0	27.0	1 3

General purpose hoses			
Standard part No.	Bulk part No.	Bulk part	
		Inner diameter (mm)	Length (m)
95005-11xxx-3x	95005-11001-30M	11.0	1
95005-11xxx-5x	95005-11001-50M	11.0	1
95005-12xxx-1x	95005-12001-10M <95005-12003-10M>	12.0	1 3
95005-12xxx-2x	95005-12001-20M	12.0	1
95005-12xxx-3x	95005-12001-30M	12.0	1
95005-12xxx-5x	95005-12001-50M	12.0	1
95005-14xxx-1x	95005-14001-10M	14.0	1
95005-14xxx-2x	95005-14001-20M <95005-14003-20M>	14.0	1 3
95005-14xxx-3x	95005-14001-30M	14.0	1
95005-14xxx-5x	95005-14001-50M	14.0	1
95005-17xxx-1x	95005-17001-10M	17.0	1
95005-17xxx-2x	95005-17001-20M	17.0	1
95005-17xxx-3x	95005-17001-30M	17.0	1
95005-17xxx-5x	95005-17001-50M	17.0	1
95005-30xxx-3x	95005-30001-30M	3.0	1
95005-30xxx-5x	95005-30001-50M	3.0	1
95005-35xxx-1x	95005-35001-10M <95005-35003-10M> <95005-35008-10M>	3.5	1 3 8
95005-35xxx-2x	95005-35001-20M	3.5	1
95005-35xxx-3x	95005-35001-30M	3.5	1
95005-35xxx-4x	95005-35001-10M <95005-35003-10M> <95005-35008-10M>	3.5	1 3 8
95005-35xxx-5x	95005-35001-50M	3.5	1
95005-45xxx-1x	95005-45001-10M <95005-45003-10M> <95005-45008-10M>	4.5	1 3 8
95005-45xxx-2x	95005-45001-20M	4.5	1
95005-45xxx-3x	95005-45001-30M	4.5	1

General purpose hoses			
Standard part No.	Bulk part No.	Bulk part	
		Inner diameter (mm)	Length (m)
95005-45xxx-4x	95005-45001-10M <95005-45003-10M> <95005-45008-10M>	4.5	1 3 8
95005-45xxx-5x	95005-45001-50M	4.5	1
95005-50xxx-3x	95005-50001-30M <95005-50003-30M>	5.0	1 3
95005-50xxx-5x	95005-50001-50M	5.0	1
95005-55xxx-1x	95005-55001-10M <95005-55003-10M> <95005-55008-10M>	5.3	1 3 8
95005-55xxx-2x	95005-55001-20M <95005-55003-20M>	5.3	1 3
95005-55xxx-4x	95005-55001-10M <95005-55003-10M> <95005-55008-10M>	5.3	1 3 8
95005-65xxx-1x	95005-65001-10M <95005-65003-10M>	6.5	1 3
95005-65xxx-2x	95005-65001-20M	6.5	1
95005-70xxx-3x	95005-70001-30M <95005-70003-30M>	7.0	1 3
95005-70xxx-5x	95005-70001-50M	7.0	1
95005-75xxx-1x	95005-75001-10M <95005-75003-10M>	7.3	1 3
95005-75xxx-2x	95005-75001-20M	7.3	1
95005-80xxx-1x	95005-80001-10M <95005-80003-10M>	8.0	1 3
95005-80xxx-2x	95005-80001-20M	8.0	1
95005-80xxx-3x	95005-80001-30M	8.0	1
95005-80xxx-5x	95005-80001-50M	8.0	1
95005-91xxx-3x	95005-91001-30M	12.0	1
95005-91xxx-5x	95005-91001-50M	12.0	1
95005-92xxx-3x	95005-92001-30M	12.0	1
95005-92xxx-5x	95005-92001-50M	12.0	1

NOTE: X is displayed to represent the omitted numerals and letters of the roman alphabet.

⊙ **CAUTION: It is DANGEROUS to confuse the fuel hose with the general purpose hose or vinyl hose.**

Never use a general purpose hose or vinyl hose in place of a fuel hose or vice versa. Always use the correct bulk part in the parts catalogue, according to the service manual or the instructions issued with the bulk part.

• Bulk part number of fuel hose, general purpose hose and vinyl hose.

(Example)

9 5 0 0 1 - 7 5 0 0 1 - 5 0 M

Bulk part number: Refers to the bulk part.

Marking code (hose type): (fuel hose and general purpose hose)

Change code (for added hose): (Vinyl hose)

- Indicates number mark or change sequence, however, the code for the bulk part must be strictly 0 (zero).

Types of code:

- Fuel hose
 - 2: Red outside braid (3 mm inside dia. only)
 - 5: Black inside braid
 - 3: Red (3 mm inside dia. only)
 - 4: Ash gray with red stripe (3 mm inside dia. only)
 - 6: Black
- Vinyl hose
 - 1: Clear
 - 2: Black
 - 3: Light red
 - 6: Light red
 - 7: Pale black
- General hose
 - 1: Ash gray
 - 2: Ash gray
 - 3: Black
 - 5: Black

Lengths: 001: 1 m (standard)
003: 3 m
008: 8 m

I.D code: (fuel hose and general purpose hose)

- 30: 3.0 mm
- 35: 3.5 mm
- 45: 4.5 mm
- 50: 5.0 mm
- 55: 5.3 mm, 5.5 mm
- 65: 6.5 mm
- 70: 7.0 mm
- 75: 7.3 mm, 7.5 mm
- 80: 8.0 mm
- 11: 11 mm
- 91: 12 mm (outside dia. 15) mm
- 92: 12 mm (outside dia. 16) mm
- 12: 12 mm (outside dia. 17) mm
- 14: 14 mm
- 17: 17 mm

ID./OD. code: (vinyl hose)

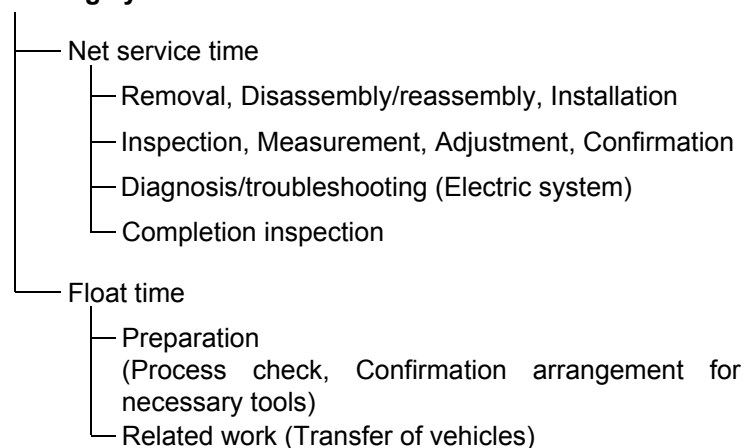
- 01: ID. 2.9, OD. 6.8 mm
- 03: ID. 3.0, OD. 6.0 mm
- 05: ID. 3.5, OD. 6.5 mm
- 07: ID. 4.0, OD. 7.0 mm
- 08: ID. 4.5, OD. 6.5 mm
- 09: ID. 4.5, OD. 8.0 mm
- 12: ID. 5.0, OD. 7.0 mm
- 10: ID. 5.0, OD. 8.0 mm
- 11: ID. 5.0, OD. 9.0 mm
- 14: ID. 6.0, OD. 9.0 mm
- 17: ID. 7.0, OD. 9.0 mm
- 19: ID. 7.0, OD. 11.0 mm
- 21: ID. 8.0, OD. 9.0 mm
- 23: ID. 8.0, OD. 12.0 mm
- 25: ID. 9.0, OD. 11.0 mm
- 27: ID. 9.0, OD. 13.0 mm
- 33: ID. 10.0, OD. 14.0 mm
- 36: ID. 11.0, OD. 13.0 mm
- 37: ID. 11.0, OD. 15.0 mm
- 38: ID. 12.0, OD. 13.0 mm
- 39: ID. 12.0, OD. 14.0 mm
- 40: ID. 12.0, OD. 16.0 mm
- 43: ID. 13.0, OD. 15.0 mm
- 45: ID. 14.0, OD. 18.0 mm
- 50: ID. 16.0, OD. 19.0 mm
- 55: ID. 17.5, OD. 20.5 mm
- 60: ID. 22.0, OD. 27.0 mm

Hose type: 1: Fuel hose
3: Vinyl hose
5: General hose

FLAT RATE SERVICE TIME

Flat rate service time (FRT) means the standard time required to service a MC, which is listed in this manual to help the dealers control the actual working process and calculate the service charge by using it as a guide.

FRT setting system



* Float time is set by multiplying the net service time by a given coefficient.

Editorial style

The service items shown in the text are listed with the exchange work time for the repair sales parts as the subject. Other representative service items not using repair parts (removal/installation, adjustment, inspection/measuring, and other work) are listed collectively in the list in the preface, classified according to the work.

FRT setting standard

- Decimal system (in unit of 0.1) is adopted to set FRT as it is convenient to calculate the wage.
Example: (0.1) → 6 minutes, (0.2) → 12 minutes
[Labor cost per hour] x [FRT] = [Wage]
- FRT is set with a hand tool.
- Service items and FRT can be subject to change depending on development of tools and service equipment and improvement in service procedure.

Work procedure

- As the work procedure is set with the work time according to the method in the separate Service Manual, refer to this Manual as required.
- Work methods permitting servicing in the shortest time still permitting assurance of safe work and product warranty are used for the setting of service items not listed in the Service Manual.
- Work basically is to be performed by one person, and when two or more people are required, setting is done as the total time for the number of people.
- The set value for the technological level of the workers uses a person with three years of experience in the repair of Honda vehicles as the standard.
- Special tools and service equipment used to set FRT are those specified or recommended in Service Manual.

Service item whose FRT is not presented

- Accessories and service parts that are not listed to use in this manual.
 - Locations with little aging deterioration or breakage during normal use.
 - Service work that can be finished by one touch.
 - Service work that is seldom done (i.e. extremely small causes of trouble and service frequency).
- * When FRT is not presented, please calculate wages based on appropriate actual work time

Operation not included of FRT

- Oil and coolant water draining, Waiting time for warming up operation and etc..
- Additional operation that involves removal/installation of standard exterior equipment.
- Indirect time spent for service by visiting the customer, trade-in, and delivery of a MC.
- Indirect time required for ordering and delivery of parts.
- Cost for grease, adhesive agent, etc. used for service work.

**Explanation of FRT by using an example
(The example may differ from the actual presented items)**

Ref. No.	L.O.N.	(Relative ref. Number) Description	F.R.T.
②	111118	(1, 3, 4, 7) CAMSHAFT 4.5	②
③	111118A	⑥ • Includes: Valve clearance adjustment Replace rocker arm add 1.0	⑤

- ① Reference No. of the illustration of part that shows location of the replacement work.
- ② FRT is an abbreviation of Flat Rate Time indicating the standard service time required for the replacement.
- ③ LON is an abbreviation of Labor Operation Number, and it is a classification of the service items by the work unit code.

The same operation code is used regardless of the models.

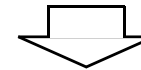
Standard operation is indicated with 6 digits code, and additional operation is indicated with 7 digits code.
- ④ Indicating the camshaft replacement and FRT4.5.
- ⑤ Indicating FRT1.0 that will be added when additional operation (replace rocker arm) is done in association with camshaft replacement.

- ⑥ Indicating work contents that are included in the service item.
- ⑦ Indicating a reference No. whose operation and time are the same as FRT4.5 for the camshaft.

(The application range is limited to the service items without an LON setting within a same block.)

**How to refer to the service item by using the sample
(camshaft replacement)**

Open to the page of the block where the camshaft's spare part illustration is shown.



Look for the camshaft illustration, and refer to the service item and FRT that agree with the reference No.

Indication mark for the listing of service items that continues to the following page

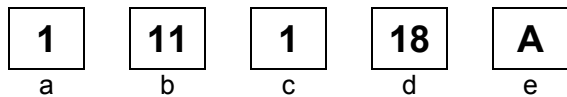
Ref. No.	L.O.N.	(Relative ref. Number) Description	F.R.T.
2	111118	CAMSHAFT	4.5
	.	.	.
	.	.	.
+			

Mark indicated at the last line.

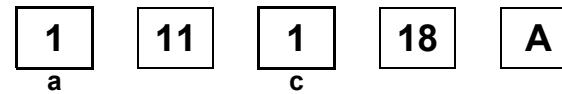
Indication of the block with no setting of FRT

Ref. No.	L.O.N.	(Relative ref. Number) Description	F.R.T.
NO INFORMATION			

• LON code system



- a) Category code..... Engine
- b) Location/function code Engine upper
- c) Operation code..... Replace
- d) Operation sequence number (Unit code can be shown with alphabet) camshaft (No regular rule of code)
- e) Additional code replace rocker arm (No regular rule of code)



a) Category codes and classification

Code	Category
1	Engine
2	Transmission
3	Fuel & Exhaust
4	Frame & Body
5	Steering/Suspension
6	Electrical
7	Wheels/Brakes
8	Controls/instrument
9	-
0	-

c) Operation codes and classification

Code	Operation category
1	Replace, Removal/Installation, Change
2	Overhaul
3	Adjust, Balance
4	(Paint-related work: Top-coat)
5	Test, Inspect/diagnose, Measurement, Check
6	(Overhaul-related work: Rebore)
7	(Overhaul-related work: Reseal)
8	(Resurface)
9	(Paint-related work: Refinish)
0	Repair, Cleaning, Air bleeding

Major service items without using spare parts

(1) Removal/Installation, (2) Adjustment,
(3) Inspection/Measurement, (4) Overhaul, (5) Other work

E: Engine, F: Frame

* OPERATIONS OTHER THAN REPLACING PARTS

(1) Removal and installation

Set for the configuration with the parts removed from the vehicle.

	LON	DESCRIPTION	FRT
E	1101E5	TILTING ENGINE ASSEMBLY-REMOVAL/INSTALLATION INCLUDES: All necessary adjustment	1.8
	3111D6	CARBURETOR ASSEMBLY-REMOVAL/INSTALLATION	0.5
	1101E6	CRANKCASE SEPARATION INCLUDES: Engine removal and installation	3.6

(2) Adjustment

	LON	DESCRIPTION	FRT
E	3113A0	CARBURETOR IDLE-ADJUSTMENT	0.1
	2123A0	CLUTCH-ADJUSTMENT INCLUDES: Clutch lever adjustment	0.1
	6143A1	SPARK PLUG-ADJUSTMENT/CLEANING	0.1
	1113A0	VALVE CLEARANCE-ADJUSTMENT NOTE: For 1 vehicle	0.4
F	6163A0	HEADLIGHT-AIMING	0.1
	2133A0	DRIVE CHAIN-ADJUSTMENT	0.1
	7113A0	FRONT BRAKE-ADJUSTMENT EXCLUDES: Front brake shoe adjustment	0.1
	7113A1	REAR BRAKE-ADJUSTMENT EXCLUDES: Rear brake shoe adjustment	0.1
	3113A3	THROTTLE OPERATION-ADJUSTMENT	0.1

(3) Inspection, Measurement

	LON	DESCRIPTION	FRT
E	1115A0	COMPRESSION PRESSURE-MEASUREMENT	0.1
	3115A0	CARBURETOR FLOAT LEVEL-MEASUREMENT	0.5
	6145A0	IGNITION TIMING-INSPECTION	0.2
F	6105A0	BATTERY-CHECKING OF ELECTROLYTE LEVEL & CHARGE	0.2

(4) Overhaul

Work condition: The required Measurements, inspections, adjustments, and cleaning/washing of each part are performed, including the main body removal/installation work and the replacement of defective parts.

	LON	DESCRIPTION	FRT
E	311200	CARBURETOR-OVERHAUL INCLUDES: All necessary adjustment	0.7

(5) Other work

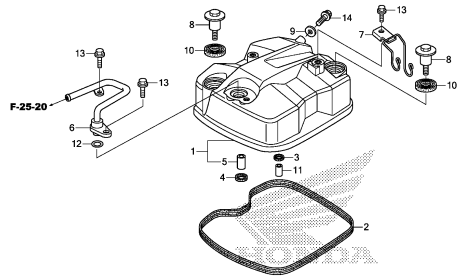
	LON	DESCRIPTION	FRT
E	1130A1	OIL FILTER SCREEN-CLEANING	0.6
F	7110A0	FRONT BRAKE-AIR BLEEDING	0.2

ENGINE GROUP

C12

E-1

CYLINDER HEAD COVER

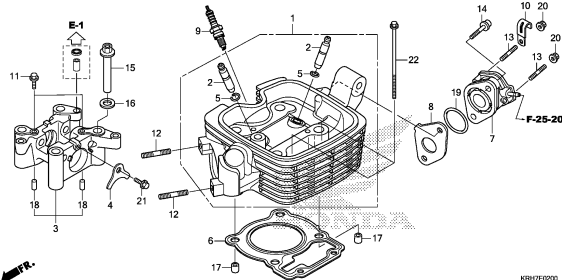


E 1

KR17E0100

E-2

CYLINDER HEAD

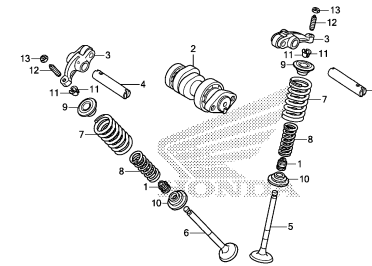


E 2

KR17E0200

E-3

CAMSHAFT/VALVE

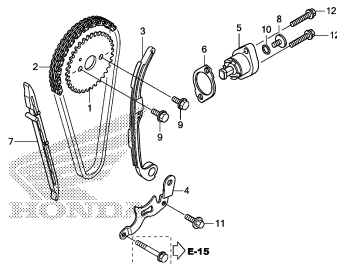


E 4

KR17E0300

E-4

CAM CHAIN/TENSIONER

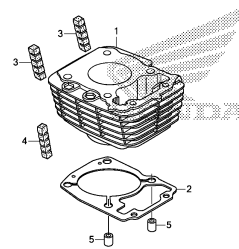


E 5

KR17E0400

E-5

CYLINDER

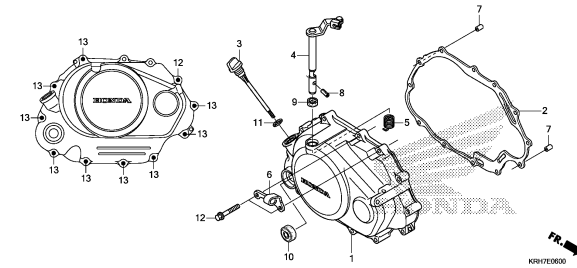


E 6

KR17E0500

E-6

RIGHT CRANKCASE COVER

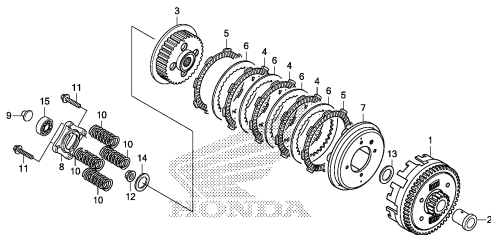


E 7

KR17E0600

E-8

CLUTCH

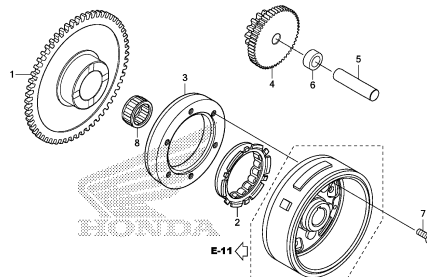


E 8

KR17E0800

E-9

STARTING CLUTCH

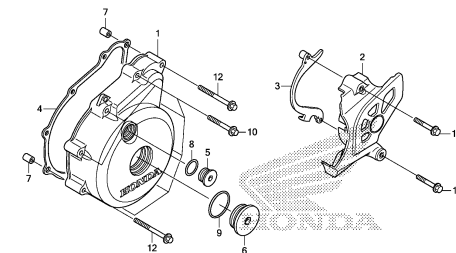


E 9

KR17E0900

E-10

LEFT CRANKCASE COVER



E10

KR17E1000

2

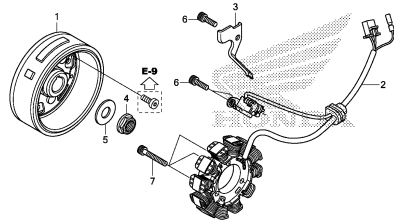
ENGINE GROUP

C13

E-11

GENERATOR

E11

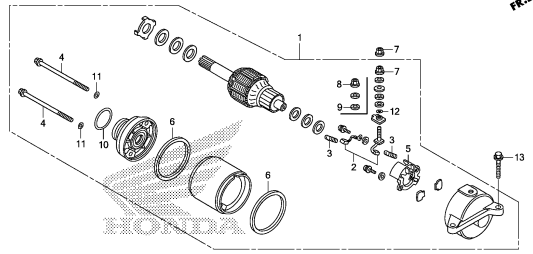


KRIFZ1100

E-13

STARTER MOTOR

E12

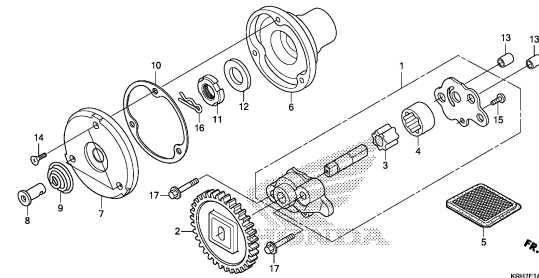


KRIFZ1300

E-14

OIL PUMP

E13

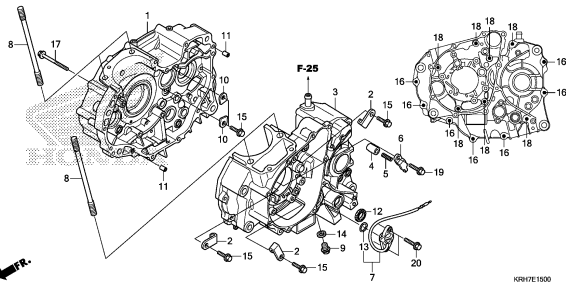


KRIFZ1400

E-15

CRANKCASE

E14

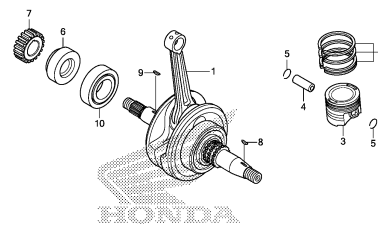


KRIFZ1500

E-16

CRANKSHAFT/PISTON(XR/XL125LEK)

E15

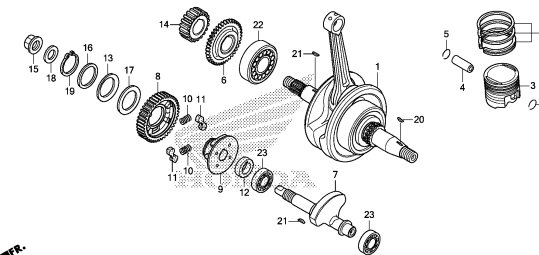


KRIFZ1600

E-16-1

CRANKSHAFT/PISTON(XR150LEK)

E16

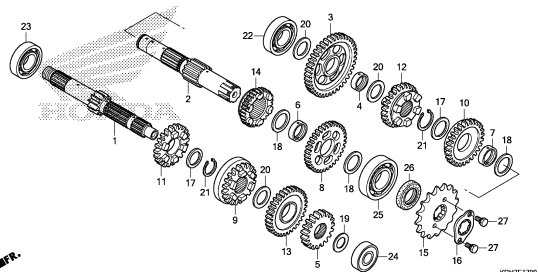


KRIFZ1801

E-17

TRANSMISSION

F 2

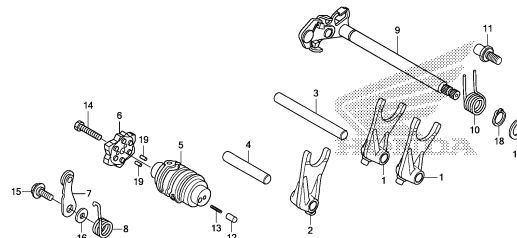


KRIFZ1700

E-19

GEARSHIFT DRUM

F 4

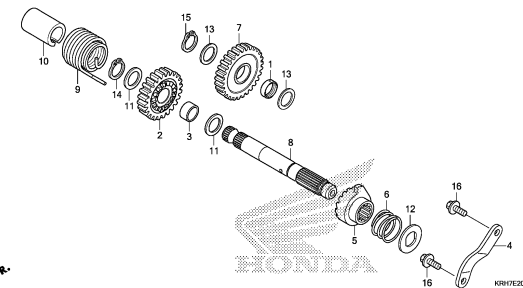


KRIFZ1900

E-20

KICK STARTER SPINDLE

F 5



KRIFZ2000

2

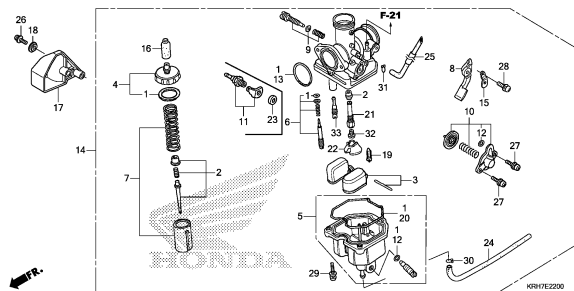
ENGINE GROUP

C14

E-22

F 6

CARBURETOR



2

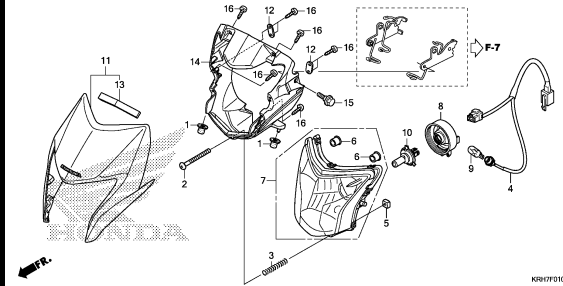
FRAME GROUP

C15

F-1

HEADLIGHT

G 1

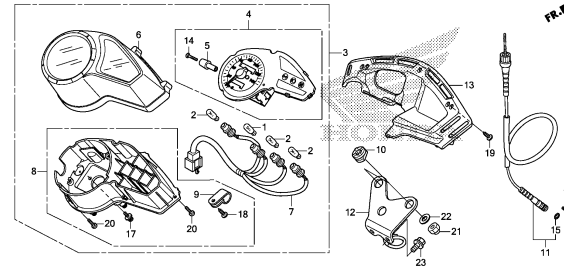


K9H17F0100

F-2

METER

G 2

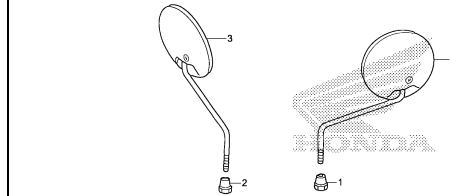


K9H17F0200

F-3

MIRROR

G 4

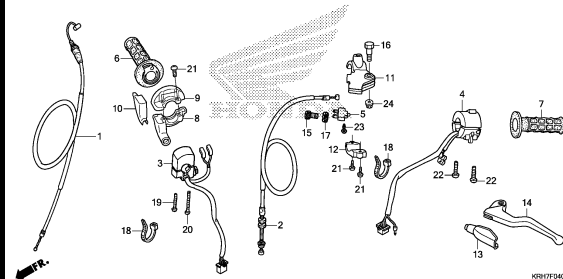


K9H17F0300

F-4

HANDLE LEVER/SWITCH/CABLE(DISK BRAKE)

G 5

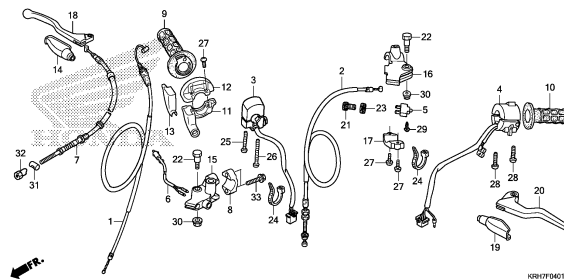


K9H17F0400

F-4-1

HANDLE LEVER/SWITCH/CABLE(DRUM BRAKE)

G 7

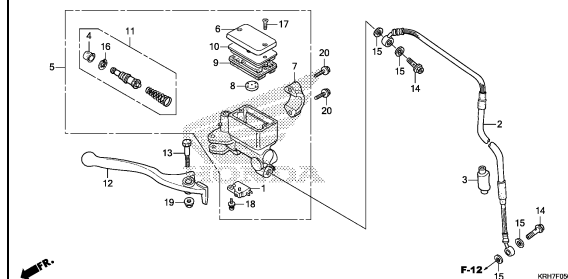


K9H17F0401

F-5

FRONT BRAKE MASTER CYLINDER

G 9

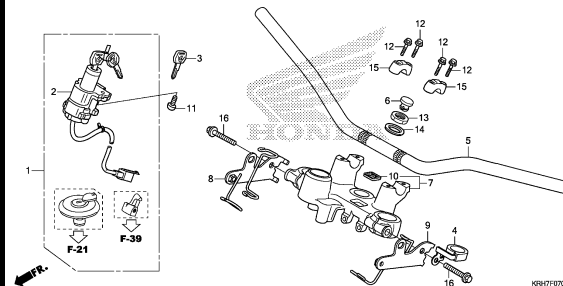


K9H17F0500

F-7

HANDLE PIPE/TOP BRIDGE

G10

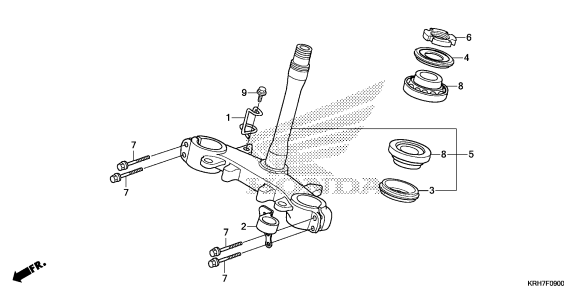


K9H17F0700

F-9

STEERING STEM

G11

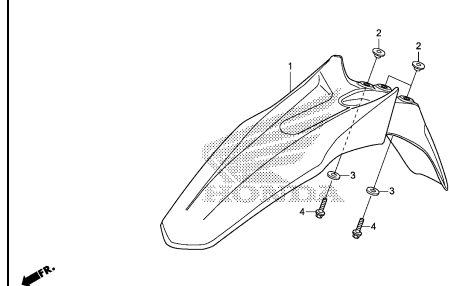


K9H17F0900

F-10

FRONT FENDER

G12



K9H17F1000

3

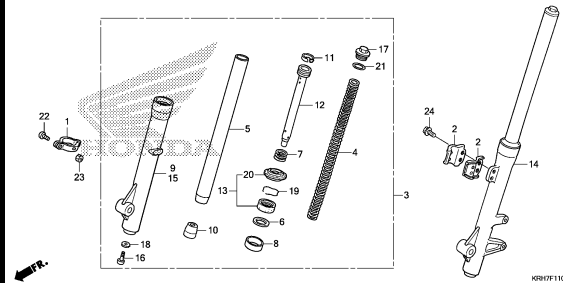
FRAME GROUP

C16

F-11

FRONT FORK(XR125LEK/XR150LEK)

G13

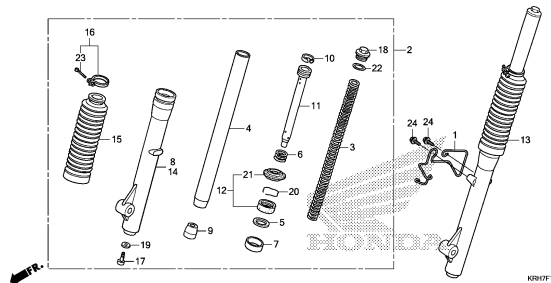


KRM071100

F-11-1

FRONT FORK(XL125LEK)

G15

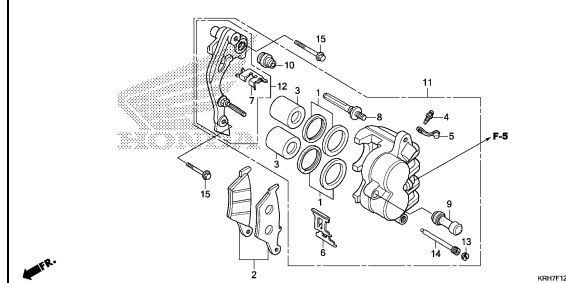


KRM071101

F-12

FRONT BRAKE CALIPER

H 1

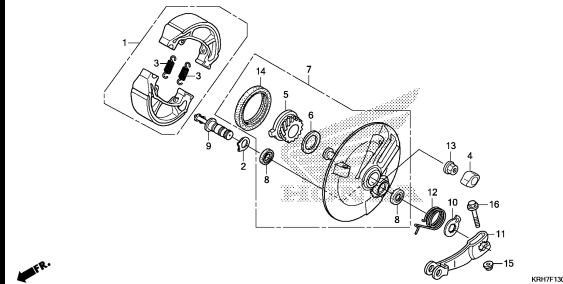


KRM071200

F-13

FRONT BRAKE PANEL

H 2

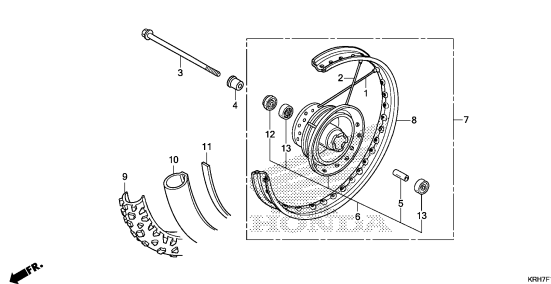


KRM071300

F-14-10

FRONT WHEEL(XL125LEK)

H 3

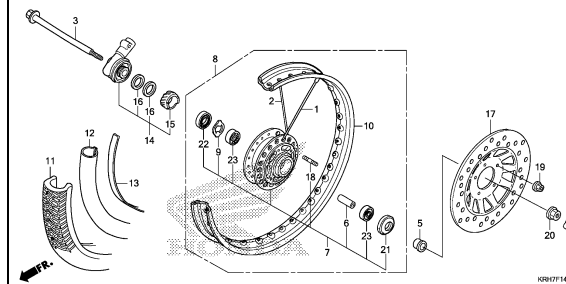


KRM071410

F-14-20

FRONT WHEEL(XR125LEK/XR150LEK)

H 4

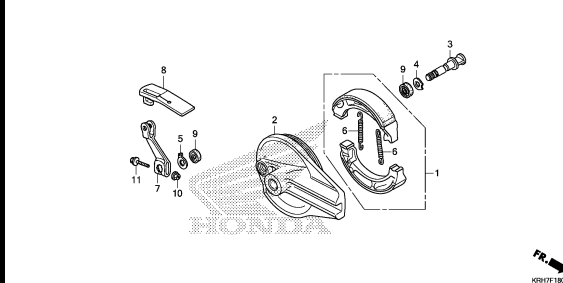


KRM071420

F-18

REAR BRAKE PANEL

H 6

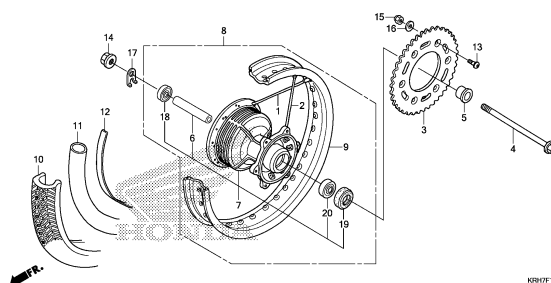


KRM071800

F-19-10

REAR WHEEL

H 7

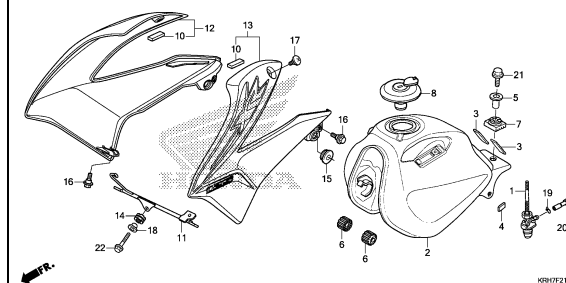


KRM071910

F-21

FUEL TANK

H 9



KRM072100

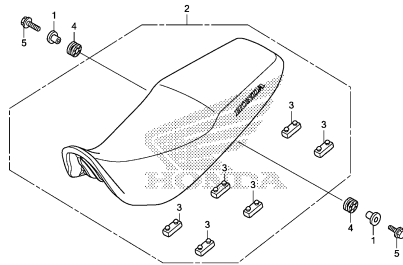
FRAME GROUP

D 1

F-23

SEAT

H11

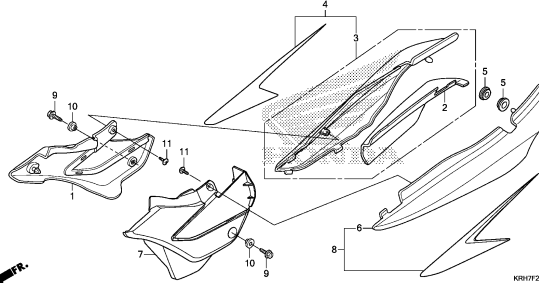


KH17F2300

F-24

SIDE COVER

H12

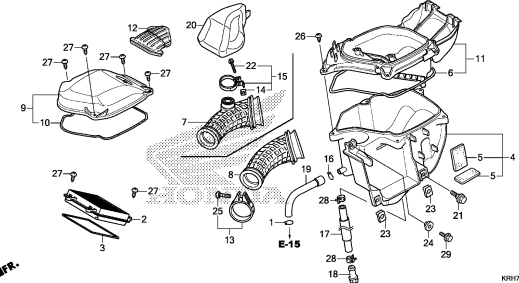


KH17F2400

F-25

AIR CLEANER

H13

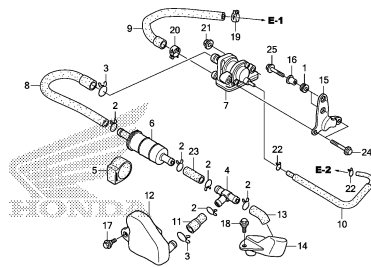


KH17F2500

F-25-20

AIR SUCTION VALVE

H15

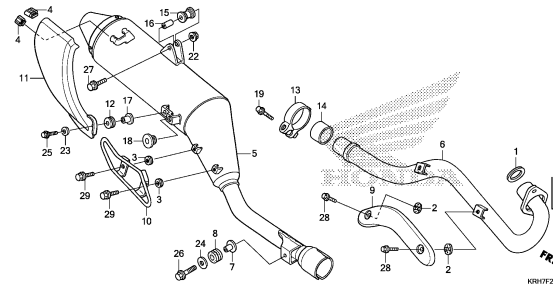


KH17F2520

F-27

EXHAUST MUFFLER

I 1

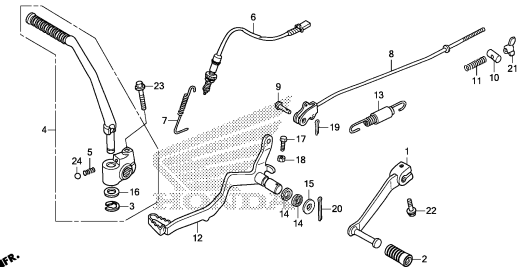


KH17F2700

F-29

PEDAL

I 3

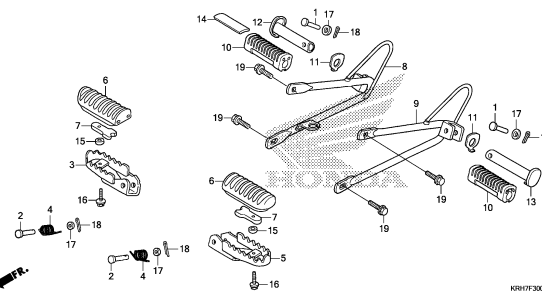


KH17F2900

F-30

STEP

I 4

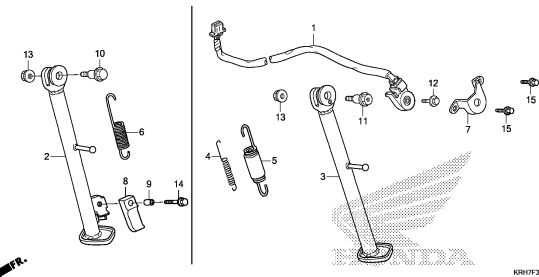


KH17F3000

F-31

STAND

I 5

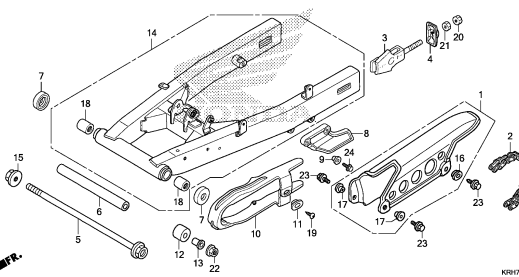


KH17F3100

F-32

SWINGARM

I 6



KH17F3200

3

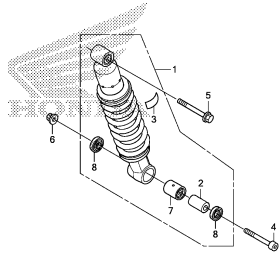
FRAME GROUP

D 2

F-33

REAR CUSHION

I 8

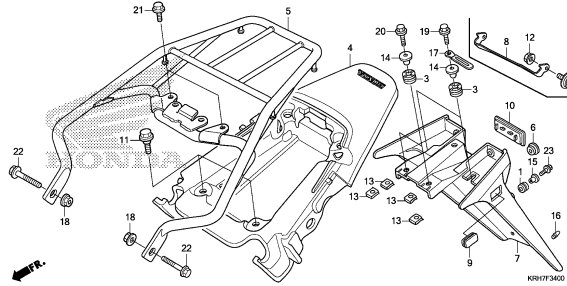


KH17F3300

F-34

REAR FENDER

I 9

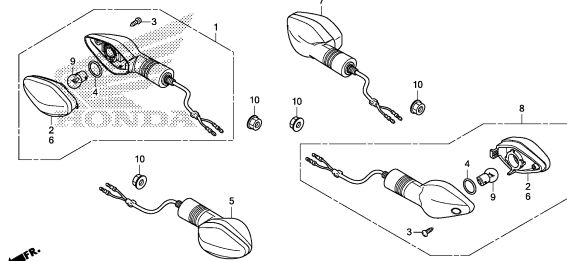


KH17F3400

F-35

WINKER

I 11

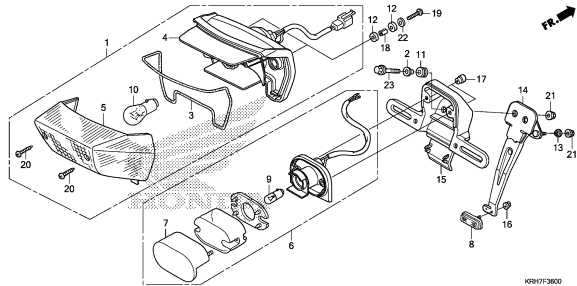


KH17F3500

F-36

TAILLIGHT

I 12

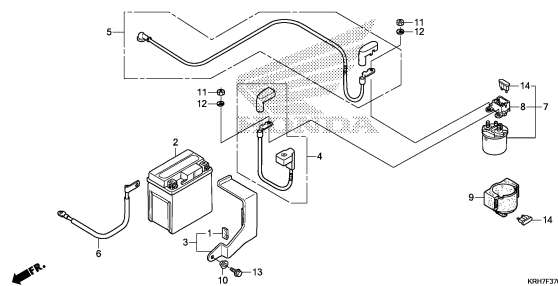


KH17F3600

F-37

BATTERY

I 13

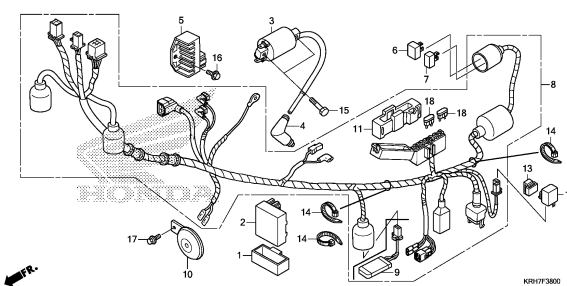


KH17F3700

F-38

WIRE HARNESS

I 14

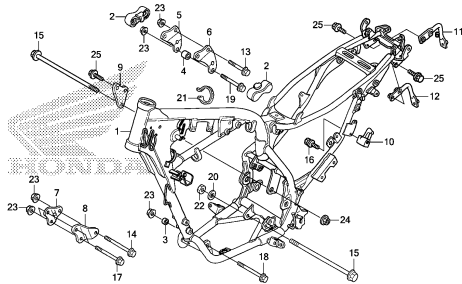


KH17F3800

F-39

FRAME BODY

I 15

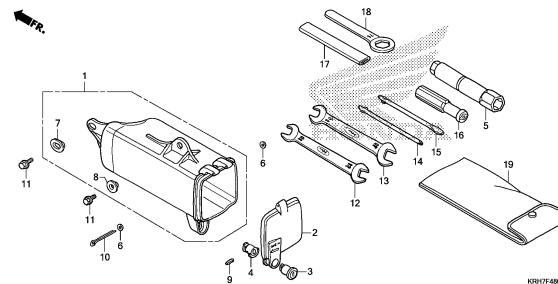


KH17F3900

F-48

TOOLS

J 1

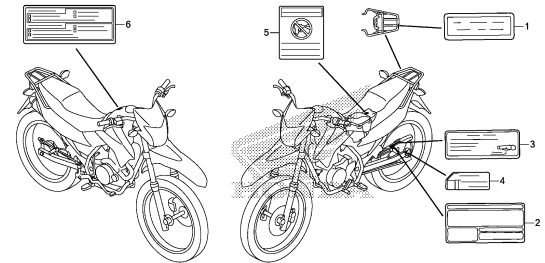


KH17F4800

F-49

CAUTION LABEL(XR125LEK/XR150LEK)

J 2



KH17F4900

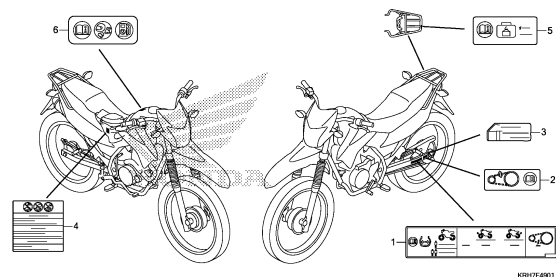
FRAME GROUP

D 3

F-49-1

J 3

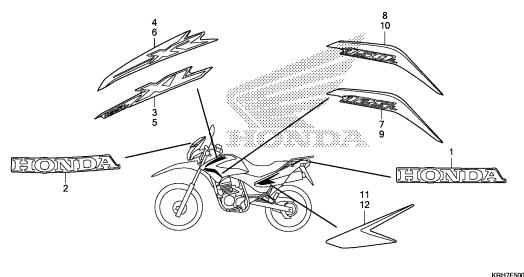
CAUTION LABEL(XL125LEK)



F-50

J 4

MARK/STRIPE

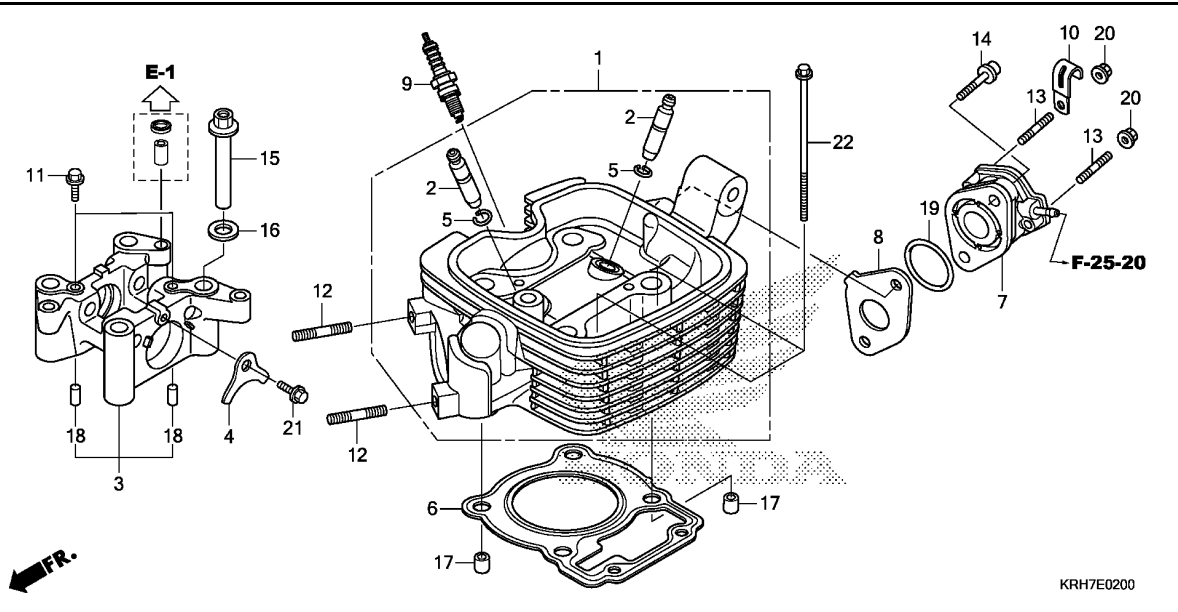


3

E-2

CYLINDER HEAD

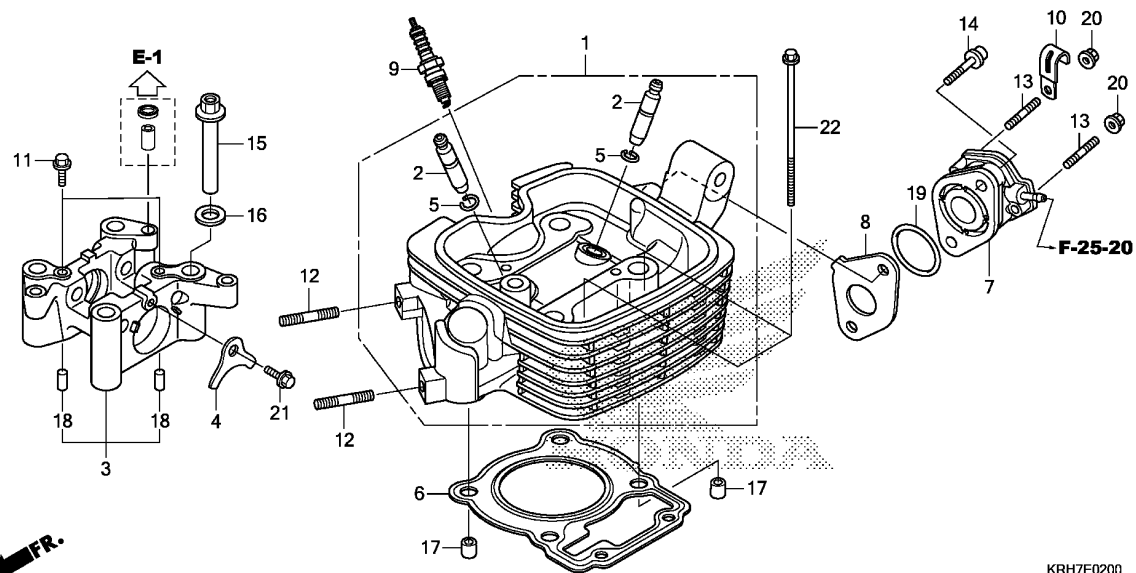
E 2



Ref. No.	L.O.N.	(Relative ref. Number) Description	F.R.T.
1	111106	HEAD, CYLINDERINCLUDES: Valve adjust and reface	2.2
2	1111L9	GUIDE, INTAKE VALVE(ONE)INCLUDES: Reaming .INCLUDES: Valve adjust and reface	2.2
	1111M0	GUIDE, EXHAUST VALVE(ONE)INCLUDES: Reaming .INCLUDES: Valve adjust and reface	2.2
	1111M9	GUIDE, VALVE :FOR 1 VEHICLE .. .INCLUDES: Reaming .INCLUDES: Valve adjust and reface	2.5
3	1111B4	HOLDER, CAMSHAFT	0.9
6	111115	GASKET, CYLINDER HEAD	1.4
7	311131	INSULATOR, THROTTLE BODY/ CARBURETOR	0.5
9	614130	PLUG, SPARK	0.1

Ref. No.	Part No.	Description	Reqd. QTY			Serial No.	Parts catalogue code
			XR 125 LEK E	XL 125 LEK E	XR 150 LEK E		
1	12200-KRH-A00	HEAD COMP., CYLINDER	1	1	-		
	12200-KRH-650	-	-	1		
2	12204-KRM-305	GUIDE, VALVE(O.S.)	2	2	2		
3	12210-KVX-600	HOLDER COMP., CAMSHAFT	1	1	1		
4	12212-KRM-840	PLATE, STOPPER	1	1	1		
5	12213-KRM-840	CLIP, VALVE GUIDE	2	2	2		
	12213-KTT-900	2	2	2		
6	12251-KTE-911	GASKET, CYLINDER HEAD (NIPPON LEAKLESS)	1	1	-		
	12251-KVX-A00	GASKET, CYLINDER HEAD	1	1	-		
	12252-KVX-600	GASKET, CYLINDER HEAD (OS. 0.75/1.00)	(1)	(1)	-		
	12251-KRM-872	GASKET, CYLINDER HEAD	-	-	1		
	12252-KVS-306	GASKET, CYLINDER HEAD(OS) ...	-	-	(1)		
7	16210-KWK-900	INSULATOR, CARBURETOR	1	1	-		
	16210-KRH-650	-	-	1		
8	16214-KWK-900	GASKET, CARBURETOR INSULATOR	1	1	-		
	16214-KRH-650	-	-	1		
9	31916-KRM-841	PLUG, SPARK(CPR8EA-9)(NGK) ..	(1)	(1)	-		
	31917-KPH-901	PLUG, SPARK(CPR7EA-9)(NGK) ..	1	1	-		
	31916-KRM-841	PLUG, SPARK(CPR8EA-9)(NGK) ..	-	-	1		
	31926-KRM-841	PLUG, SPARK(CPR9EA-9)(NGK) ..	-	-	(1)		
10	32925-958-000	CLIP, PULSER CORD	1	1	1	-----	1LA,2SA,NZ,SA
11	90002-KRM-840	BOLT, FLANGE, 5X14	2	2	2		
12	90035-KRM-840	BOLT, STUD, 8X22	2	2	2		
13	90035-KWK-900	BOLT, STUD, 6X19	2	2	2		





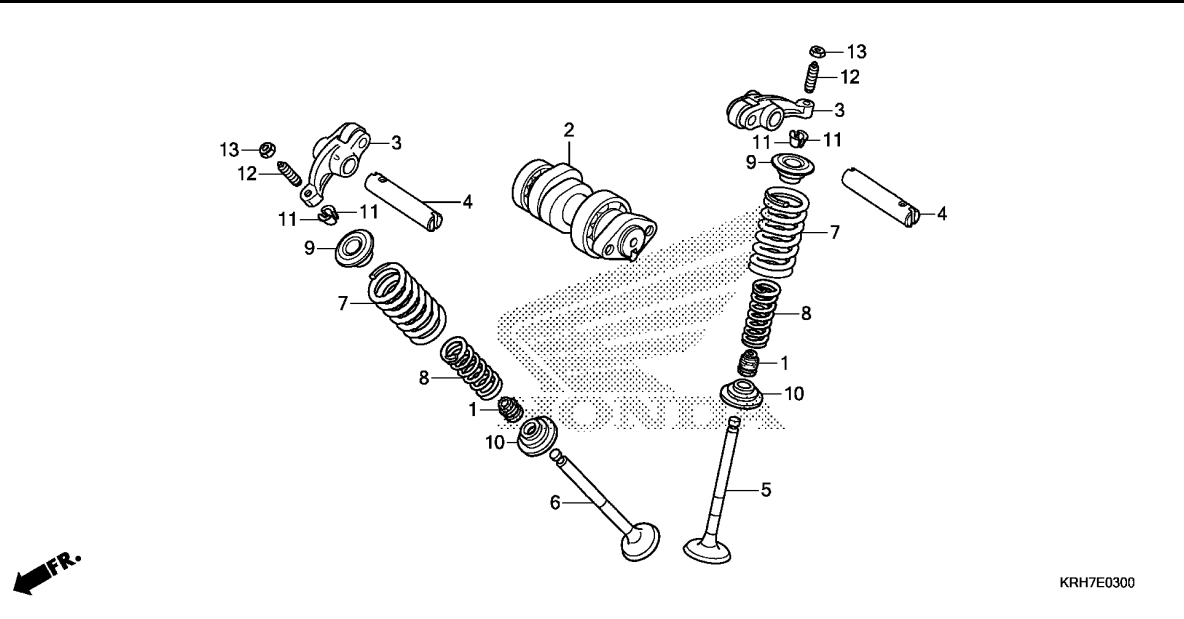
KRH7E0200

Ref. No.	Part No.	Description	Reqd. QTY			Serial No.	Parts catalogue code
			XR 125 LEK E	XL 125 LEK E	XR 150 LEK E		
14	90091-KRM-840	BOLT, FLANGE SOCKET, 6X22 ...	2	2	2		
15	90306-KRM-840	NUT, CYLINDER HEAD	4	4	4		
16	90404-KPT-A00	WASHER, PLAIN, 12MM	4	4	4		
17	90703-KRM-840	DOWEL PIN, 10X12	2	2	2		
18	90704-KRM-840	DOWEL PIN, 6X10	2	2	2		
19	91304-KRM-840	O-RING, 33.5X3.0	1	1	1		
20	94050-06000	NUT, FLANGE, 6MM	2	2	2		
21	95701-06014-00	BOLT, FLANGE, 6X14	1	1	1		
22	95801-06105-00	BOLT, FLANGE, 6X105	2	2	2		

E-3

CAMSHAFT/VALVE

E 4

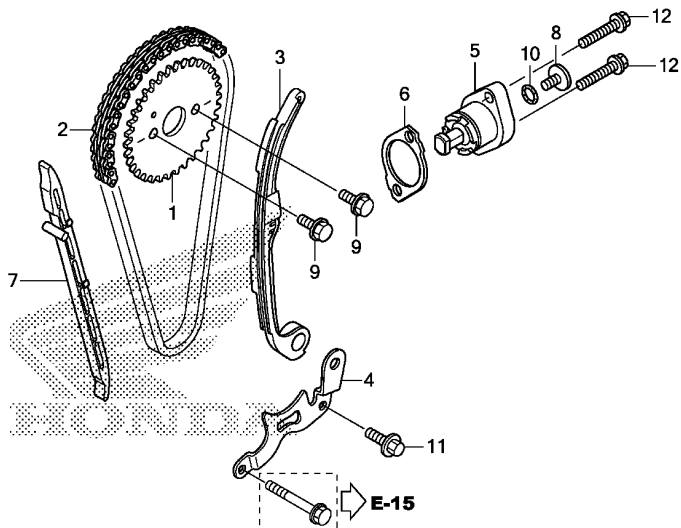


KRH7E0300

Ref. No.	L.O.N.	(Relative ref. Number) Description	F.R.T.
2	111118	CAMSHAFTINCLUDES: Valve adjustment (4)	0.7
3	1111K8	ARM, INTAKE VALVE ROCKER(ONE) .INCLUDES: Valve adjustment	0.8
	1111K9	ARM, EXHAUST VALVE ROCKER(ONE) .INCLUDES: Valve adjustment	0.8
	1111L8	ARM, VALVE ROCKER :FOR 1 VEHICLE	0.8
		.INCLUDES: Valve adjustment	
5	1111N0	VALVE, INTAKE(ONE)	1.7
		.INCLUDES: Refacing	
6	1111N1	VALVE, EXHAUST(ONE)	1.7
		.INCLUDES: Refacing	
	1111P0	VALVE :FOR 1 VEHICLE	1.9
		.INCLUDES: Refacing (1,8,9,10,11)	
7	1111P2	INTAKE VALVE SPRING AND/OR STEM SEAL(ONE)	1.5
	1111P3	EXHAUST VALVE SPRING AND/OR STEM SEAL(ONE)	1.5
	1111Q2	VALVE SPRING AND/OR STEM SEAL :FOR 1 VEHICLE	1.6

Ref. No.	Part No.	Description	Reqd. QTY			Serial No.	Parts catalogue code
			XR 125 LEK E	XL 125 LEK E	XR 150 LEK E		
1	12209-GB4-682	SEAL, VALVE STEM(ARAI)	2	2	2		
2	14100-KVX-600	CAMSHAFT COMP.	1	1	-		
	14100-KRH-650	-	-	1		
3	14430-KTT-900	ARM COMP., VALVE ROCKER	2	2	2		
4	14451-KTT-900	SHAFT, ROCKER ARM	2	2	2		
5	14711-KTE-910	VALVE, IN.	1	1	-		
	14711-KSP-910	-	-	1		
6	14721-KWF-900	VALVE, EX.	1	1	-		
	14721-KTT-900	-	-	1		
7	14751-KSP-910	SPRING, VALVE OUTER	2	2	2		
8	14761-KSP-910	SPRING, VALVE INNER	2	2	2		
9	14771-KSP-910	RETAINER, VALVE SPRING	2	2	2		
10	14777-KGH-900	SEAT, VALVE SPRING	2	2	2		
11	14781-MA6-000	COTTER, VALVE	4	4	4		
12	90012-KK3-830	SCREW, TAPPET ADJUSTING	2	2	2		
13	90206-250-000	NUT, TAPPET ADJUSTING	2	2	2		

2



KRH7E0400

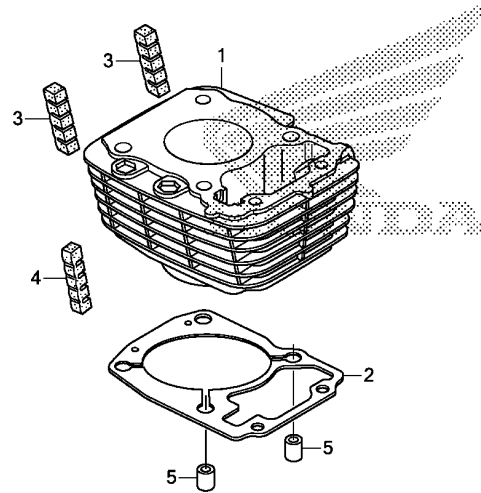
Ref. No.	L.O.N.	(Relative ref. Number) Description	F.R.T.
1	1111Q4	SPROCKET, CAM	0.5
2	110140	CHAIN, CAM	1.0
3	111130	TENSIONER, CAM CHAIN	0.9
5	111133	LIFTER, TENSIONER (6)	0.2
7	111139	GUIDE, CAM CHAIN	1.4

Ref. No.	Part No.	Description	Reqd. QTY			Serial No.	Parts catalogue code
			XR 125 LEK E	XL 125 LEK E	XR 150 LEK E		
1	14321-KRM-840	SPROCKET, CAM(34T)	1	1	1		
2	14401-KVJ-911	CHAIN, CAM(94L)(DAIDO)	1	1	1		
3	14510-KRM-842	TENSIONER ASSY., CAM CHAIN ..	1	1	1		
4	14515-KRM-840	PLATE, TENSIONER SETTING	1	1	1		
5	14520-KTT-900	LIFTER ASSY., TENSIONER	1	1	1		
6	14560-KSP-910	GASKET, TENSIONER LIFTER	1	1	1		
7	14610-KSP-910	GUIDE, CAM CHAIN	1	1	1		
8	90005-KY7-000	SCREW, PAN, 6X6	1	1	1		
9	90083-KRM-840	BOLT, KNOCK, 5MM	2	2	2		
10	91306-KRM-840	O-RING, 1.5X9.5	1	1	1		
11	95701-06016-00	BOLT, FLANGE, 6X16	1	1	1		
12	96001-06022-00	BOLT, FLANGE, 6X22	2	2	2		

E-5

CYLINDER

E 6



FR.

KRH7E0500

Ref. No.	L.O.N.	(Relative ref. Number) Description	F.R.T.
1	1111A5	CYLINDER	1.7
2	111102	GASKET, CYLINDER	1.6

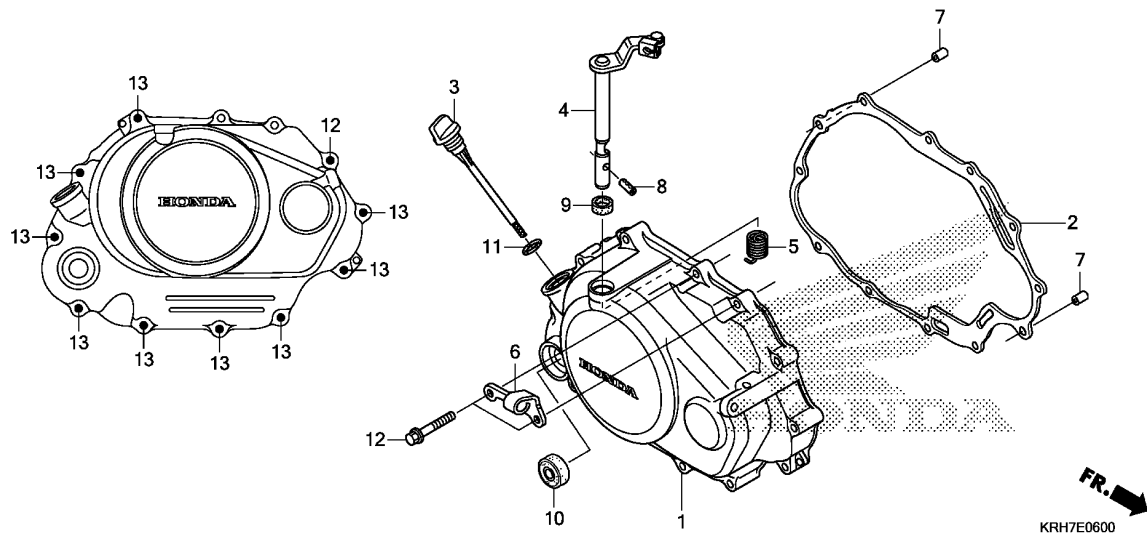
Ref. No.	Part No.	Description	Reqd. QTY			Serial No.	Parts catalogue code
			XR 125 LEK E	XL 125 LEK E	XR 150 LEK E		
1	12100-KRH-780	CYLINDER COMP.	1	1	-		
	12100-KRH-650	-	-	1		
2	12191-KWK-900	GASKET, CYLINDER	1	1	1		
3	12195-KTE-910	RUBBER, INSERT	2	2	2		
4	12195-KTE-910	RUBBER, INSERT	1	1	-		
5	90703-KRM-840	DOWEL PIN, 10X12	2	2	2		

2

E-6

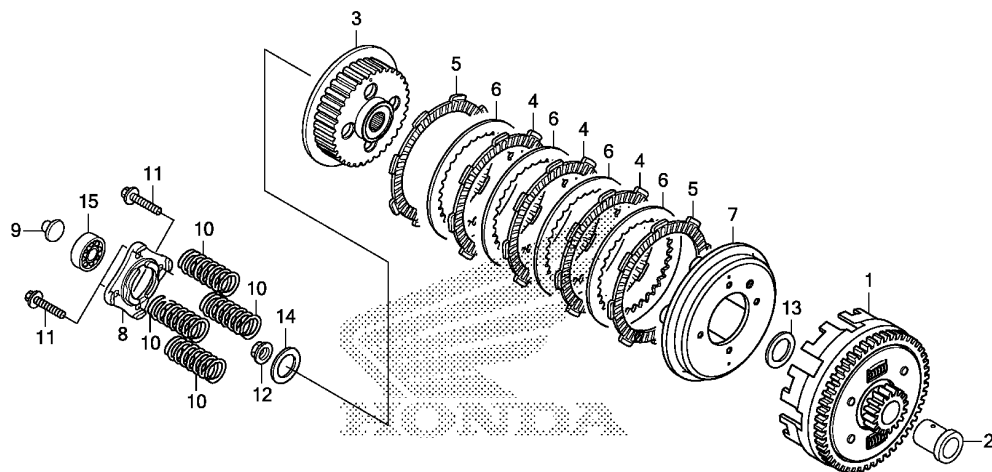
RIGHT CRANKCASE COVER

E 7



Ref. No.	L.O.N.	(Relative ref. Number) Description	F.R.T.
1	110159	COVER, CRANKCASE :RIGHT	0.7
2	110158	GASKET, CRANKCASE COVER :RIGHT	0.6
4	2121A7	LEVER, CLUTCH	0.7
10	112105	OIL SEAL, KICK STARTER SPINDLE	0.6

Ref. No.	Part No.	Description	Reqd. QTY			Serial No.	Parts catalogue code
			XR 125	XL 125	XR 150		
			LEK E	LEK E	LEK E		
1	11330-KWK-900	COVER COMP., R. CRANKCASE	1	1	1		
2	11393-KWK-900	GASKET, R. CRANKCASE COVER	1	1	1		
3	15651-KPT-A00	GAUGE, OIL LEVEL	1	1	1		
4	22810-KRM-B00	LEVER COMP., CLUTCH	1	1	1		
5	22815-KTT-900	SPRING, CLUTCH LEVER	1	1	1		
6	22821-KRM-840	RECEIVER, CLUTCH CABLE	1	1	1		
7	90702-KRM-840	DOWEL PIN, 8X14	2	2	2		
8	90703-KRH-900	PIN, SPRING, 3X10	1	1	1		
9	91202-KSP-910	OIL SEAL, 12X18X4	1	1	1		
10	91204-KSP-911	OIL SEAL, 16X28X7	1	1	1		
11	91307-KRM-840	O-RING, 18X3	1	1	1		
12	96001-06030-00	BOLT, FLANGE, 6X30	3	3	3		
13	96001-06040-00	BOLT, FLANGE, 6X40	9	9	9		



KRH7E0800

Ref. No.	L.O.N.	(Relative ref. Number) Description	F.R.T.
1	2121A0	OUTER, CLUTCH	1.0
3	212112	CENTER, CLUTCH	1.0
4	2121A1	(5,6) DISC, CLUTCH FRICTION	1.0
		.NOTE: Same time for two units or more	
7	2121A3	PLATE, CLUTCH PRESSURE	1.0
8	2121A4	PLATE, CLUTCH LIFTER	0.7
9	2121B6	ROD, CLUTCH LIFTER	0.6
10	212107	SPRING, CLUTCH	0.7
		.NOTE: Same time for two units or more	
15	2121B4	BEARING, CLUTCH LIFTER	0.6

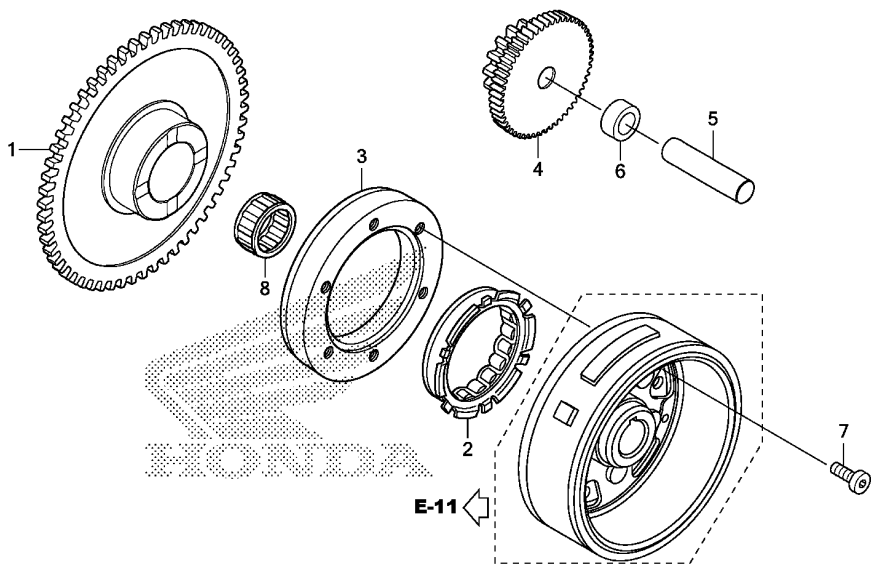
Ref. No.	Part No.	Description	Reqd. QTY			Serial No.	Parts catalogue code
			XR 125 LEK E	XL 125 LEK E	XR 150 LEK E		
1	22100-KWK-900	OUTER COMP., CLUTCH	1	1	1		
2	22115-KSP-910	GUIDE, CLUTCH OUTER	1	1	1		
3	22120-KTT-900	CENTER, CLUTCH	1	1	1		
4	22201-KTT-900	DISK, CLUTCH FRICTION	3	3	3		
5	22202-KTT-900	DISK, CLUTCH FRICTION	2	2	2		
6	22321-KTT-900	PLATE, CLUTCH	4	4	4		
7	22355-KTT-900	PLATE, CLUTCH PRESSURE	1	1	1		
8	22361-KTT-900	PLATE, CLUTCH LIFTER	1	1	1		
9	22366-KRM-840	ROD, CLUTCH LIFTER	1	1	1		
10	22401-KRM-840	SPRING, CLUTCH	4	4	4		
11	90008-KTT-900	BOLT, FLANGE, 6X25	4	4	4		
12	90202-KRM-840	NUT, SPECIAL FLANGE, 14MM	1	1	1		
13	90405-KTT-900	WASHER, PLAIN, 17MM	1	1	1		
14	90501-KPT-A00	WASHER, 14.1X29X2.8	1	1	1		
15	96100-60030-00	BEARING, RADIAL BALL, 6003	1	1	1		



E-9

STARTING CLUTCH

E 9



Ref. No.	L.O.N.	(Relative ref. Number) Description	F.R.T.
1		(8)	
612120		GEAR, STARTER DRIVEN	0.5
3		(2)	
612131		OUTER, STARTING CLUTCH	0.6
4	612125	GEAR, STARTER REDUCTION	0.3

KRH7E0900

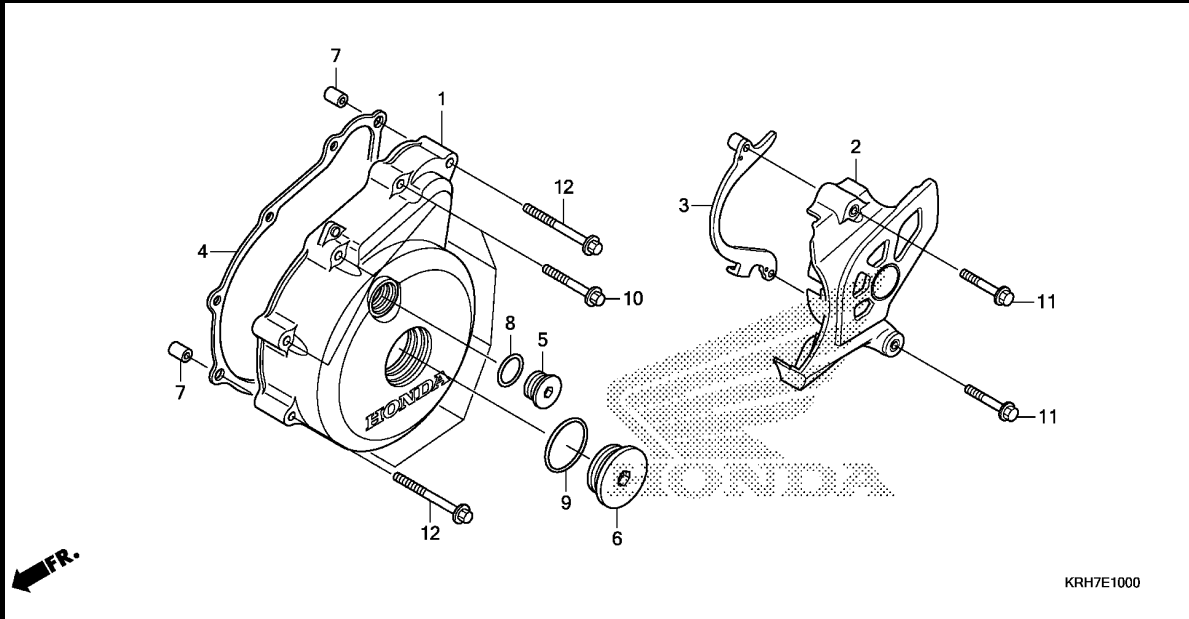
Ref. No.	Part No.	Description	Reqd. QTY			Serial No.	Parts catalogue code
			XR 125 LEK E	XL 125 LEK E	XR 150 LEK E		
1	28110-KTT-901	GEAR, STARTER DRIVEN(58T) ...	1	1	1		
2	28126-MN4-004	CLUTCH, ONE WAY(NIPPON SEIKO)	1	1	1		
	28120-KYA-901	CLUTCH, ONE WAY	1	1	-		
3	28128-KVC-900	OUTER, STARTING CLUTCH	1	1	1		
4	28131-KTT-900	GEAR, STARTER REDUCTION (15/53T)	1	1	1		
5	28132-KN6-930	SHAFT, REDUCTION GEAR	1	1	1		
6	28133-KRM-850	COLLAR, STARTER REDUCTION ...	1	1	1		
7	90085-KTT-900	BOLT, SOCKET, 6MM	6	6	6		
8	91104-KTT-901	BEARING, NEEDLE, 22X29X16.8 -	1	1	1		

2

E-10

LEFT CRANKCASE COVER

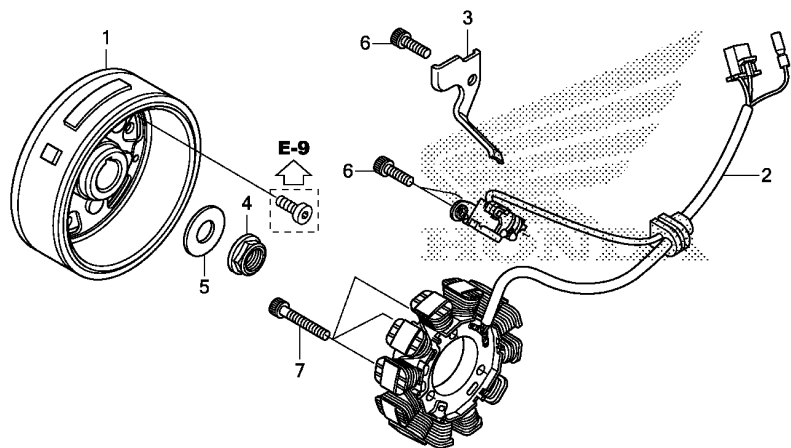
E10



Ref. No.	L.O.N.	(Relative ref. Number) Description	F.R.T.
1	1101A6	COVER, CRANKCASE :LEFT	0.4
2	1101B0	COVER, CRANKCASE :LEFT REAR ..	0.1
4	1101A3	GASKET, CRANKCASE COVER :LEFT	0.3

Ref. No.	Part No.	Description	Reqd. QTY			Serial No.	Parts catalogue code
			XR 125 LEK E	XL 125 LEK E	XR 150 LEK E		
1	11341-KWK-900	COVER, L. CRANKCASE	1	1	1		
2	11360-KRH-780	COVER COMP., L. RR.	1	1	1		
3	11365-KRH-780	GUIDE COMP., DRIVE CHAIN	1	1	1		
4	11395-KWK-900	GASKET, L. COVER	1	1	1		
5	90084-KTT-900	CAP, 14MM	1	1	1		
6	90087-KRM-840	CAP, 32MM	1	1	1		
7	90702-KRM-840	DOWEL PIN, 8X14	2	2	2		
8	91303-KRM-840	O-RING, 13.8X2.5	1	1	1		
9	91305-KRM-840	O-RING, 31.7X2.4	1	1	1		
10	96001-06035-00	BOLT, FLANGE, 6X35	7	7	7		
11	96001-06040-00	BOLT, FLANGE, 6X40	2	2	2		
12	96001-06045-00	BOLT, FLANGE, 6X45	2	2	2		





KRH7E1100

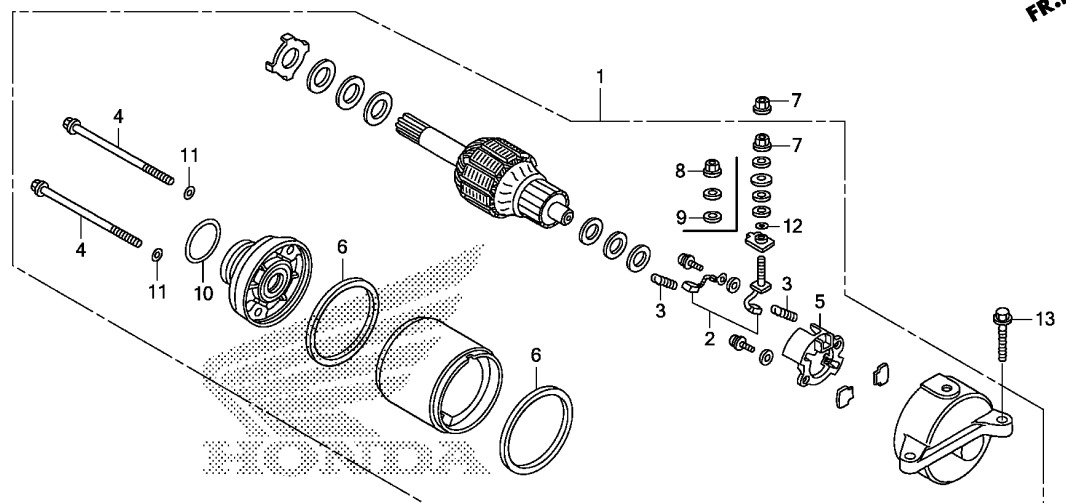
Ref. No.	L.O.N.	(Relative ref. Number) Description	F.R.T.
1	613105	ROTOR OR FLYWHEEL	0.6
2	6131A3	STATOR	0.6

Ref. No.	Part No.	Description	Reqd. QTY			Serial No.	Parts catalogue code
			XR 125 LEK E	XL 125 LEK E	XR 150 LEK E		
1	31110-KRH-A01	FLYWHEEL COMP.	1	1	1		
2	31120-KRH-781	STATOR COMP.	1	1	1		
3	32111-KSP-910	CLAMPER, A.C. GENERATOR CORD	1	1	1		
4	90201-KRM-840	NUT, FLANGE, 14MM	1	1	1		
5	90501-KPT-A00	WASHER, 14.1X29X2.8	1	1	1		
6	96600-06016-00	BOLT, SOCKET, 6X16	3	3	3		
7	96600-06022-00	BOLT, SOCKET, 6X22	3	3	3		

E-13

STARTER MOTOR

E12

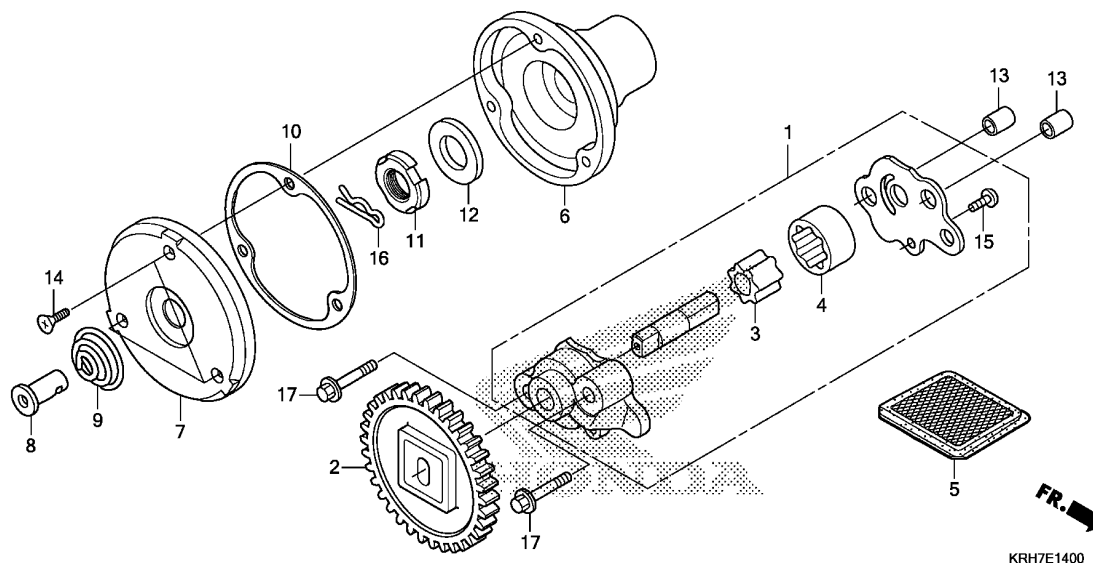


KRH7E1300

Ref. No.	L.O.N.	(Relative ref. Number) Description	F.R.T.
1		(10)	
612105		MOTOR, STARTING	0.4
2		(3,5,6)	
6121A4		TERMINAL, BRUSH(STARTER)	0.6

Ref. No.	Part No.	Description	Reqd. QTY			Serial No.	Parts catalogue code
			XR 125 LEK E	XL 125 LEK E	XR 150 LEK E		
1	31200-KRM-851	MOTOR ASSY., STARTER(MITSUBA)	1	1	-		
	31200-KRH-651	MOTOR ASSY., STARTER	-	-	1		
2	31201-KPT-A01	TERMINAL SET, BRUSH	1	1	-		
	31201-KVC-901	-	-	1		
3	31204-KG8-004	SPRING, CARBON BRUSH	2	2	-		
	31204-KRH-651	SPRING, BRUSH	-	-	2		
4	31205-KRM-851	BOLT, SETTING	2	2	-		
	31205-KYY-931	-	-	2		
5	31206-KPH-881	HOLDER, BRUSH	1	1	-		
	31206-KRH-651	HOLDER SET, BRUSH	-	-	1		
6	31207-MBE-008	RING	2	2	-		
	31207-KRH-651	-	-	2		
7	90071-MB0-000	NUT-WASHER, 6MM	2	2	-		
	90071-K28-910	-	-	1		
8	90071-K28-910	NUT-WASHER, 6MM	-	-	1		
9	91308-KRH-651	PACKING	-	-	1		
10	91309-425-003	O-RING, 24.4X3.1 (ARAI)	1	1	-		
	91309-KYY-931	O RING, 24.4X3.1	-	-	1		
11	91320-MB0-000	O-RING, 4X2	2	2	-		
	91320-KYY-931	O-RING	-	-	2		
12	91320-MB0-000	O-RING, 4X2	1	1	-		
13	95701-06022-00	BOLT, FLANGE, 6X22	2	2	2		

2



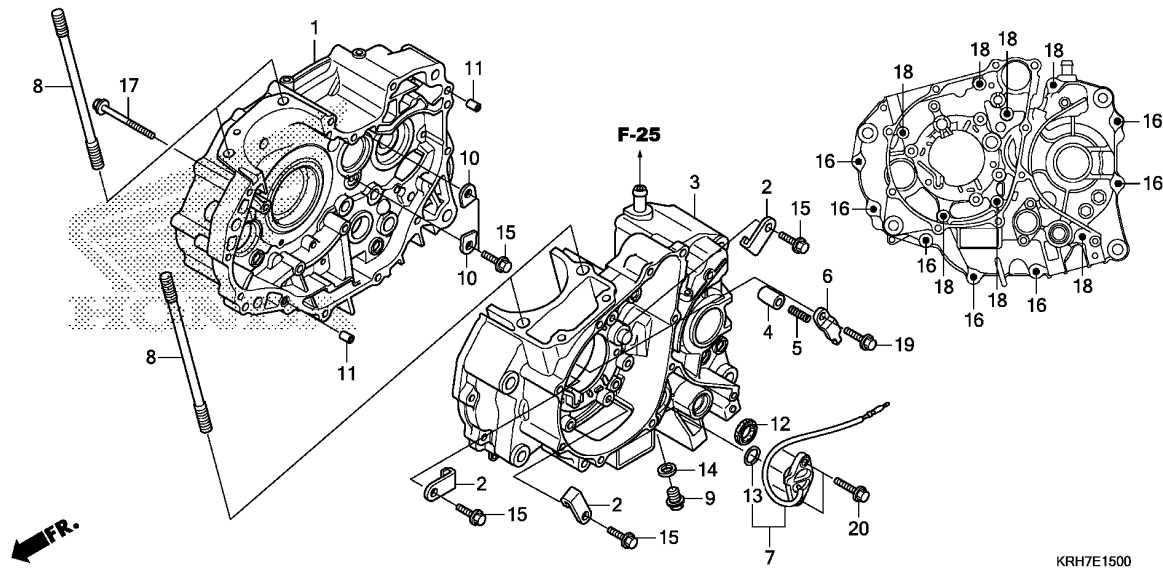
Ref. No.	L.O.N.	(Relative ref. Number) Description	F.R.T.
1	113105	PUMP ASSY., OIL	0.7
2	1131B8	GEAR, OIL PUMP DRIVE	0.6
3		(4)	
	1131C7	ROTOR, OIL PUMP	0.7
5	1131B5	SCREEN, OIL FILTER	0.6
6	1101L0	ROTOR, OIL FILTER	0.8
7		(10)	
	1101L1	CAP, OIL FILTER ROTOR	0.7

Ref. No.	Part No.	Description	Reqd. QTY			Serial No.	Parts catalogue code
			XR 125 LEK E	XL 125 LEK E	XR 150 LEK E		
1	15100-KTT-900	PUMP ASSY., OIL	1	1	1		
2	15130-KTT-900	GEAR COMP., OIL PUMP(34T) ...	1	1	1		
3	15331-KTT-900	ROTOR, OIL PUMP INNER	1	1	1		
4	15332-KTT-900	ROTOR, OIL PUMP OUTER	1	1	1		
5	15421-KSP-910	SCREEN, OIL FILTER	1	1	1		
6	15430-KSP-910	ROTOR, OIL FILTER	1	1	1		
7	15436-KRM-840	CAP, OIL FILTER ROTOR	1	1	1		
8	15441-KCS-650	THROUGH, OIL	1	1	1		
9	15446-107-000	SPRING, OIL THROUGH	1	1	1		
10	15459-KWK-900	GASKET, OIL FILTER CAP	1	1	1		
11	90231-KRM-840	NUT, LOCK, 14MM	1	1	1		
12	90432-KPT-A00	WASHER, 14.2X26X3	1	1	1		
13	90702-KRM-840	DOWEL PIN, 8X14	2	2	2		
14	93700-05012-OA	SCREW, OVAL, 5X12	3	3	3		
15	93901-34120	SCREW, TAPPING, 4X8	1	1	1		
16	94251-08000	PIN, LOCK, 8MM	1	1	1		
17	95701-06035-00	BOLT, FLANGE, 6X35	2	2	2		

E-15

CRANKCASE

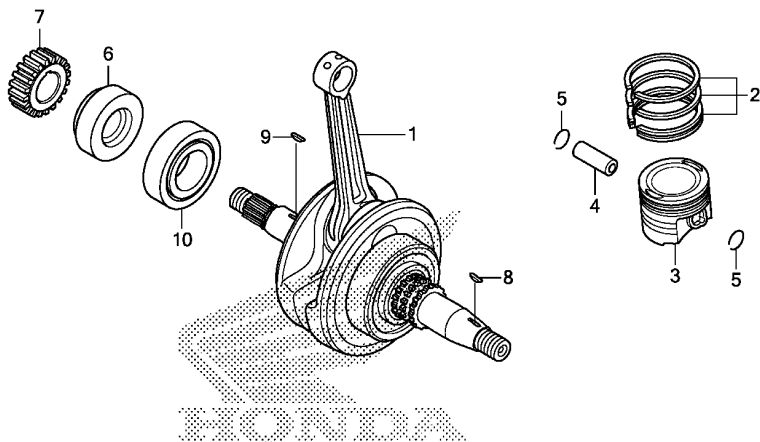
E14



Ref. No.	L.O.N.	(Relative ref. Number) Description	F.R.T.
1	110120	CRANKCASE :RIGHTINCLUDES: Engine removal and installation	4.6
3	110115	CRANKCASE :LEFTINCLUDES: Engine removal and installation	4.3
	1101A2	CRANKCASE :BOTHINCLUDES: Engine removal and installation	5.2
7	6151B8	SWITCH, NEUTRAL	0.3
12	1101F9	OIL SEAL, GEARSHIFT SPINDLE ..	0.9

Ref. No.	Part No.	Description	Reqd. QTY			Serial No.	Parts catalogue code
			XR 125 LEK E	XL 125 LEK E	XR 150 LEK E		
1	11100-KRH-A00	CRANKCASE COMP., R.(ES)	1	1	-		
	11100-KRH-650	-	-	1		
2	11108-KTT-900	PLATE, L. BEARING SETTING ...	3	3	3		
3	11200-KRH-A00	CRANKCASE COMP., L.(ES)	1	1	-		
	11200-KRH-650	-	-	1		
4	11215-KRM-840	PLUG, BEARING PUSH	1	1	1		
5	11216-KRM-840	SPRING, BEARING PUSH	1	1	1		
6	11217-KRM-840	PLATE, BEARING PUSH	1	1	1		
7	35750-KYE-900	SWITCH SET, NEUTRAL (TOYO DENSO)	1	1	1		
8	90031-KTT-900	BOLT, CYLINDER STUD, 8X140 ..	4	4	4		
9	90131-KRM-840	BOLT, DRAIN PLUG, 12MM	1	1	1		
10	90441-KRM-840	PLATE, BEARING HOLDER	2	2	2		
11	90702-KRM-840	DOWEL PIN, 8X14	2	2	2		
12	91203-KSP-910	OIL SEAL, 14X22X5	1	1	1		
13	91305-KPH-900	O-RING, 19.4X2.3	1	1	1		
14	94109-12000	WASHER, DRAIN PLUG, 12MM	1	1	1		
15	95701-06016-00	BOLT, FLANGE, 6X16	5	5	5		
16	95701-06040-00	BOLT, FLANGE, 6X40	7	7	7		
17	95701-06045-00	BOLT, FLANGE, 6X45	1	1	1		
18	95701-06070-00	BOLT, FLANGE, 6X70	7	7	7		
19	96001-06018-00	BOLT, FLANGE, 6X18	1	1	1		
20	96001-06020-00	BOLT, FLANGE, 6X20	2	2	2		

2



FR.

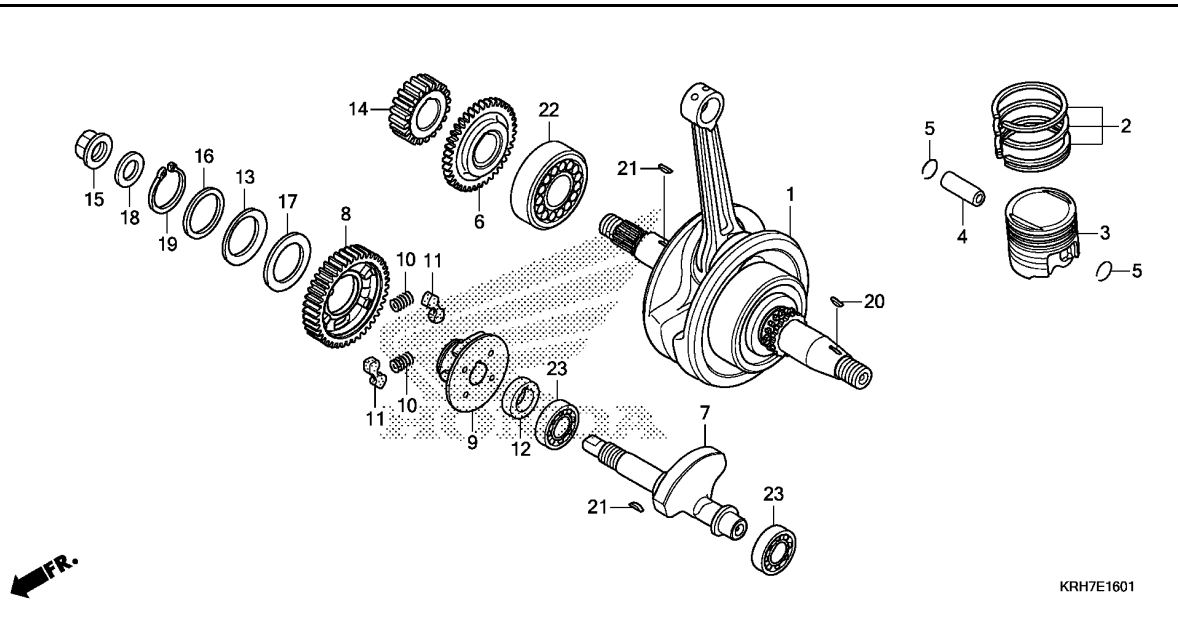
KRH7E1600

Ref. No.	L.O.N.	(Relative ref. Number) Description	F.R.T.
1	1101B5	CRANKSHAFT -INCLUDES: Engine removal and installation (2,4,5)	3.8
3	111103	PISTON RING AND/OR PISTON(ONE)	1.8
7	211105	GEAR, PRIMARY DRIVE	1.0
10	1101B7	BEARING, CRANKSHAFT :RIGHT ... -INCLUDES: Engine removal and installation	3.8

Ref. No.	Part No.	Description	Reqd. QTY			Serial No.	Parts catalogue code
			XR 125 LEK E	XL 125 LEK E	XR 150 LEK E		
1	13000-KVX-600	CRANKSHAFT COMP.	1	1	-		
2	13011-KVX-600	RING SET, PISTON(STD.) (RIKEN)	1	1	-		
	13021-KVX-600	RING SET, PISTON(0.25) (RIKEN)	(1)	(1)	-		
	13031-KVX-600	RING SET, PISTON(0.50) (RIKEN)	(1)	(1)	-		
	13041-KVX-600	RING SET, PISTON(0.75) (RIKEN)	(1)	(1)	-		
	13051-KVX-600	RING SET, PISTON(1.00) (RIKEN)	(1)	(1)	-		
3	13101-KTE-910	PISTON(STD.)	1	1	-		
	13102-KTE-305	PISTON(0.25)	(1)	(1)	-		
	13103-KTE-305	PISTON(0.50)	(1)	(1)	-		
	13104-KTE-305	PISTON(0.75)	(1)	(1)	-		
	13105-KTE-305	PISTON(1.00)	(1)	(1)	-		
4	13111-KVX-600	PIN, PISTON	1	1	-		
5	13115-GN5-910	CLIP, PISTON PIN, 13MM	2	2	-		
6	13412-KTE-910	COLLAR, R. CRANKSHAFT	1	1	-		
7	23121-KTT-900	GEAR, PRIMARY DRIVE(20T)	1	1	-		
8	90741-KFB-000	KEY, WOODRUFF, 4MM	1	1	-		
9	90741-KGH-900	KEY, WOODRUFF, 4MM	1	1	-		
10	91001-KRM-842	BEARING, ROLLER, 30X58X17 (NTN)	1	1	-		
	91001-KSP-913	BEARING, ROLLER, 30X58X17 (FAG)	1	1	-		

E-16-1

CRANKSHAFT/PISTON(XR150LEK)

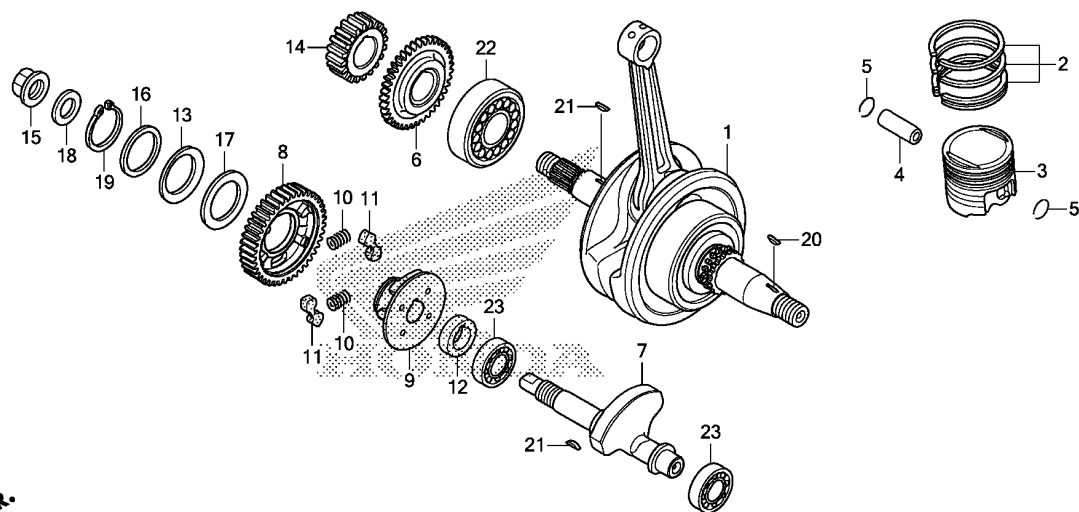


KRH7E1601

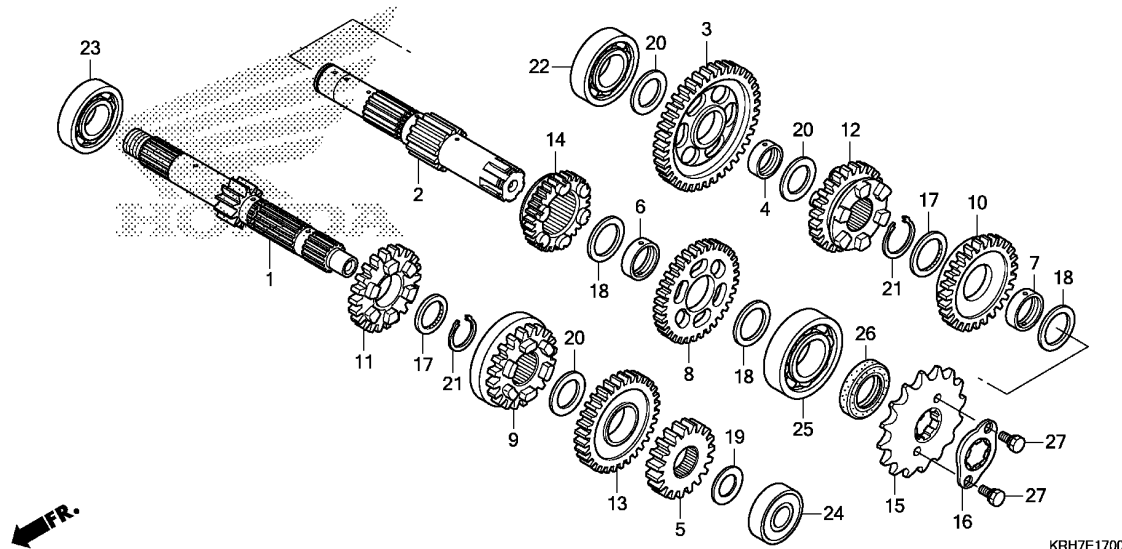
Ref. No.	L.O.N.	(Relative ref. Number) Description	F.R.T.
1	1101B5	CRANKSHAFTINCLUDES: Engine removal and installation (2,4,5)	3.8
3	111103	PISTON RING AND/OR PISTON(ONE)	1.8
6	110183	GEAR, BALANCER DRIVE	1.0
7	110185	SHAFT, BALANCERINCLUDES: Engine removal and installation (10,11)	3.6
8	1101L5	GEAR, BALANCER DRIVEN	0.8
9	1101L6	BUSH, BALANCER DRIVEN GEAR ...	0.8
14	211105	GEAR, PRIMARY DRIVE	1.0
22	1101B7	BEARING, CRANKSHAFT :RIGHTINCLUDES: Engine removal and installation	3.8
23	1101G3	BEARING, BALANCER SHAFT :LEFT .INCLUDES: Engine removal and installation	3.8
	1101G4	BEARING, BALANCER SHAFT :RIGHT .INCLUDES: Engine removal and installation	3.8
	1101G5	BEARING, BALANCER SHAFT :BOTH .INCLUDES: Engine removal and installation	4.0

Ref. No.	Part No.	Description	Reqd. QTY			Serial No.	Parts catalogue code
			XR 125 LEK E	XL 125 LEK E	XR 150 LEK E		
1	13000-KTT-C00	CRANKSHAFT COMP.	-	-	1		
2	13011-KRM-305	RING SET, PISTON(STD.) (RIKEN)	-	-	1		
	13021-KRM-305	RING SET, PISTON(0.25) (RIKEN)	-	-	(1)		
	13031-KRM-305	RING SET, PISTON(0.50) (RIKEN)	-	-	(1)		
	13041-KRM-305	RING SET, PISTON(0.75) (RIKEN)	-	-	(1)		
	13051-KRM-305	RING SET, PISTON(1.00) (RIKEN)	-	-	(1)		
3	13101-KRM-930	PISTON(STD.)	-	-	1		
	13102-KRM-305	PISTON(0.25)	-	-	(1)		
	13103-KRM-305	PISTON(0.50)	-	-	(1)		
	13104-KRM-305	PISTON(0.75)	-	-	(1)		
	13105-KRM-305	PISTON(1.00)	-	-	(1)		
4	13111-KTT-900	PIN, PISTON	-	-	1		
5	13112-KRM-840	CLIP, PISTON PIN, 14MM	-	-	2		
6	13411-KTT-900	GEAR, BALANCER DRIVE(41T) ...	-	-	1		
7	13421-KRM-840	SHAFT, BALANCER	-	-	1		
8	13422-KTT-900	GEAR, BALANCER DRIVEN(41T) ..	-	-	1		
9	13426-KTT-900	BUSH, BALANCER DRIVEN GEAR ..	-	-	1		
10	13427-KTT-900	SPRING, DAMPER	-	-	2		
11	13428-KRM-840	RUBBER, DAMPER	-	-	2		
12	13429-KTT-900	COLLAR, BALANCER DRIVEN GEAR	-	-	1		
13	13538-KTT-900	SPRING, THRUST	-	-	1		
14	23121-KTT-900	GEAR, PRIMARY DRIVE(20T)	-	-	1		
15	90201-KRM-840	NUT, FLANGE, 14MM	-	-	1		
16	90402-KTT-900	WASHER, 28.1X36X1.8	-	-	1		
17	90403-KTT-900	WASHER, 28.1X45X1.4	-	-	1		





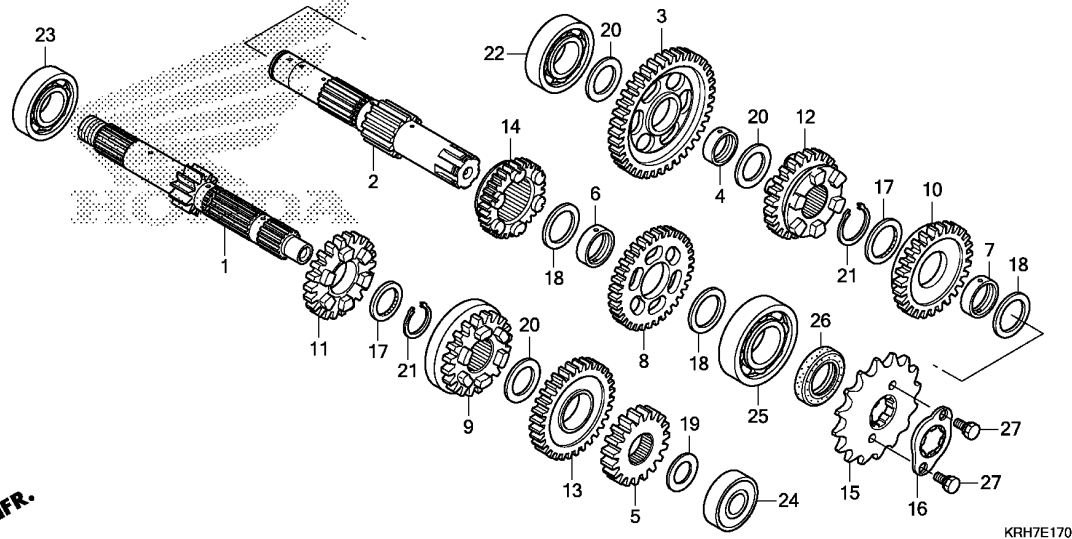
Ref. No.	Part No.	Description	Reqd. QTY			Serial No.	Parts catalogue code
			XR 125 LEK E	XL 125 LEK E	XR 150 LEK E		
18	90501-KPT-A00	WASHER, 14.1X29X2.8	-	-	1		
19	90604-KTT-900	CIRCLIP, EXTERNAL, 28	-	-	1		
20	90741-KFB-000	KEY, WOODRUFF, 4MM	-	-	1		
21	90741-KGH-900	KEY, WOODRUFF, 4MM	-	-	2		
22	91001-KRM-842	BEARING, ROLLER, 30X58X17 (NTN)	-	-	1		
	91001-KSP-913	BEARING, ROLLER, 30X58X17 (FAG)	-	-	1		
23	91004-KTT-900	BEARING, RADIAL BALL, 6202 SPL	-	-	2		



Ref. No.	L.O.N.	(Relative ref. Number) Description	F.R.T.
1		(5,9,11,13)	
210141		MAINSHAFT, TRANSMISSION	3.8
		.INCLUDES: Engine removal and installation	
210141A		.Replace countershaft add	0.2
2		(3,8,10,12,14)	
210142		COUNTERSHAFT, TRANSMISSION ...	3.8
		.INCLUDES: Engine removal and installation	
210142A		.Replace mainshaft add	0.2
15		213135 SPROCKET, DRIVE	0.2
22		2101C8 BEARING, COUNTERSHAFT :RIGHT	3.8
		.INCLUDES: Engine removal and installation	
23		2101C5 BEARING, MAINSHAFT :RIGHT	3.8
		.INCLUDES: Engine removal and installation	
24		2101C2 BEARING, MAINSHAFT :LEFT	3.8
		.INCLUDES: Engine removal and installation	
		2101C6 BEARING, MAINSHAFT :BOTH	4.0
		.INCLUDES: Engine removal and installation	
+25		2101C7 BEARING, COUNTERSHAFT :LEFT ..	3.8

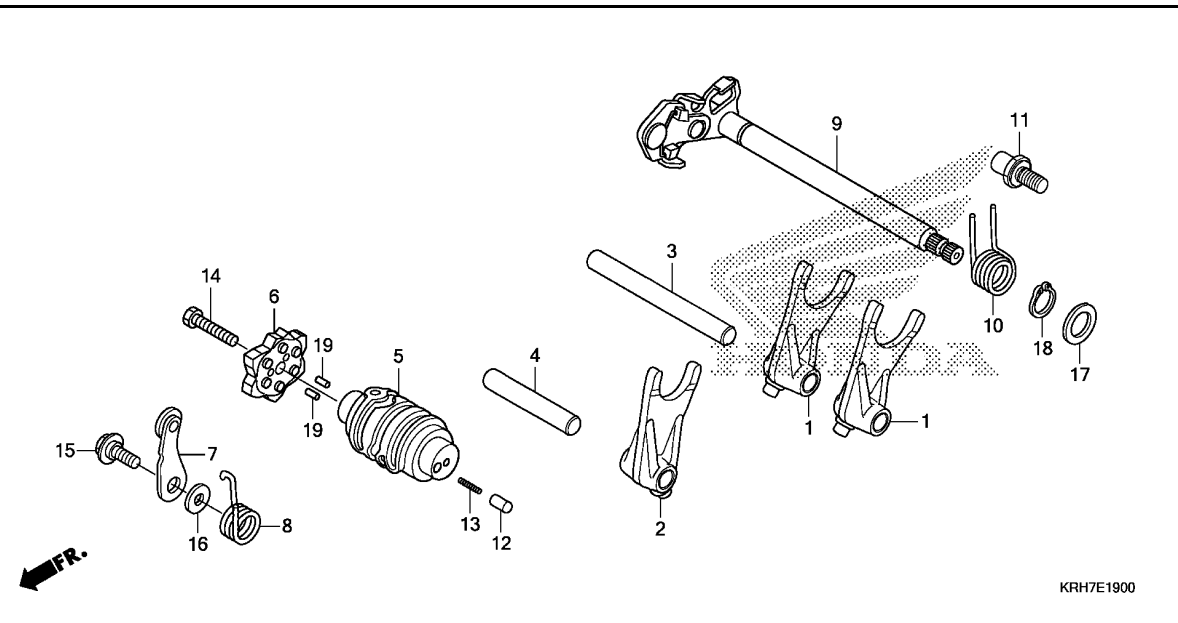
Ref. No.	Part No.	Description	Reqd. QTY			Serial No.	Parts catalogue code
			XR 125 LEK E	XL 125 LEK E	XR 150 LEK E		
1	23210-KRH-780	MAINSHAFT COMP.(14T)	1	1	1		
2	23220-KRH-780	COUNTERSHAFT COMP.	1	1	1		
3	23421-KRH-780	GEAR, COUNTERSHAFT LOW(39T) -	1	1	1		
4	23427-KRM-840	BUSH, 17X20.5X8.0	1	1	1		
5	23431-KPN-A00	GEAR, MAINSHAFT SECOND(16T) -	1	1	1		
6	23432-KRH-780	BUSH, 20MM	1	1	1		
7	23432-KVX-600	BUSH, 20MM	1	1	1		
8	23441-KPN-A00	GEAR, COUNTERSHAFT SECOND(30T)	1	1	1		
9	23451-KPN-A00	GEAR, MAINSHAFT THIRD(22T) --	1	1	1		
10	23461-KPN-A00	GEAR, COUNTERSHAFT THIRD(31T)	1	1	1		
11	23471-KPN-A00	GEAR, MAINSHAFT FOURTH(25T) -	1	1	1		
12	23481-KPN-A00	GEAR, COUNTERSHAFT FOURTH(28T)	1	1	1		
13	23491-KPN-A00	GEAR, MAINSHAFT FIFTH(32T) --	1	1	1		
14	23501-KPN-A00	GEAR, COUNTERSHAFT FIFTH(30T)	1	1	1		
15	23801-KWF-940	SPROCKET, DRIVE(16T)	1	1	-		
	23801-KRH-650	SPROCKET, DRIVE(17T)	-	-	1		
16	23811-KR3-600	PLATE A2, FIXING	1	1	1		
17	90453-KVX-600	WASHER, SPLINE, 20MM	2	2	2		
18	90454-KTT-900	WASHER B, THRUST, 20MM	3	3	3		
19	90456-KTT-900	WASHER, THRUST, 12MM	1	1	1		
20	90458-KVS-900	WASHER, THRUST, 17MM	3	3	3		
21	90602-KYY-900	CIRCLIP, 20MM	2	2	2		
22	91003-KTT-900	BEARING, RADIAL BALL, 17X42X12	1	1	-		
	91003-KTT-C01	-	-	1		





Ref. No.	L.O.N.	(Relative ref. Number) Description	F.R.T.
+25		.INCLUDES: Engine removal and installation	
2101C9		BEARING, COUNTERSHAFT :BOTH ..	4.0
2101D4		BEARING, MAINSHAFT AND COUNTERSHAFT :ALL	4.2
		.INCLUDES: Engine removal and installation	

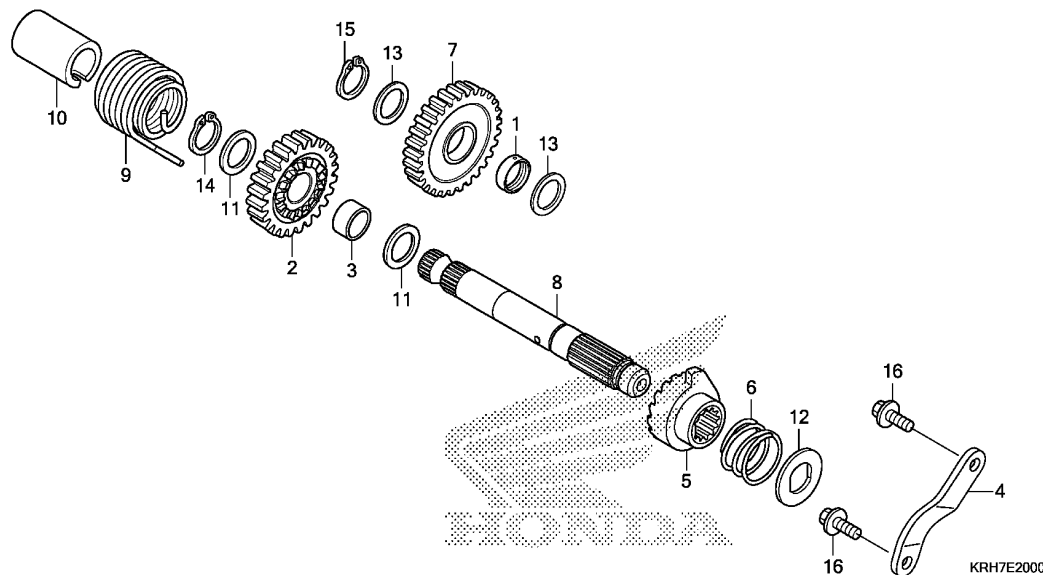
Ref. No.	Part No.	Description	Reqd. QTY			Serial No.	Parts catalogue code
			XR 125 LEK E	XL 125 LEK E	XR 150 LEK E		
23	91004-KTN-900	BEARING, RADIAL BALL, 17X40X12	1	1	-		
	91015-KTT-901	BEARING, RADIAL BALL, 6203(C3)	-	-	1		
24	91005-KTN-900	BEARING, RADIAL BALL, 12X32X10	1	1	-		
	91014-KTT-901	BEARING, RADIAL BALL, 6201U	-	-	1		
25	91006-KTN-900	BEARING, RADIAL BALL, 20X47X14	1	1	-		
	91016-KTT-901	BEARING, RADIAL BALL, 6204 ..	-	-	1		
26	91216-KSP-910	OIL SEAL, 20X34X7	1	1	1		
27	93101-06010-0A	BOLT, HEX., 6X10	2	2	2		



Ref. No.	L.O.N.	(Relative ref. Number) Description	F.R.T.
1	(2)	210112 FORK, GEARSHIFT	3.7
		.INCLUDES: Engine removal and installation .NOTE: Same time for two units or more	
5	2101A9	DRUM, GEARSHIFT	3.7
		.INCLUDES: Engine removal and installation	
6	2101D6	PLATE, GEARSHIFT DRUM STOPPER (8)	1.1
7	210125	STOPPER OR SPRING, SHIFT DRUM (10)	1.1
9	210122	SPINDLE, GEARSHIFT	1.0

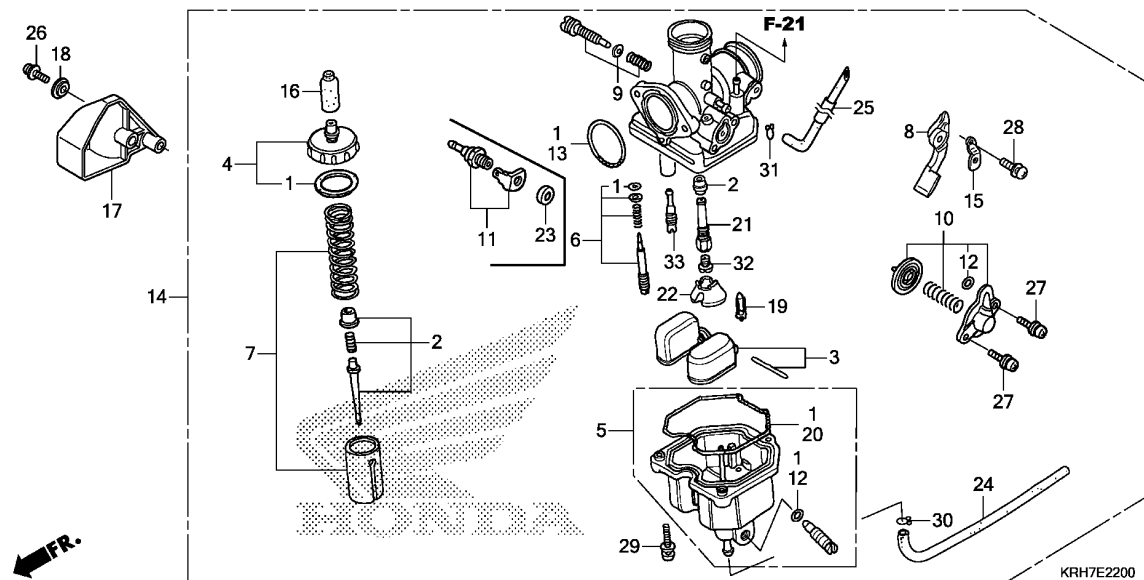
Ref. No.	Part No.	Description	Reqd. QTY			Serial No.	Parts catalogue code
			XR 125 LEK E	XL 125 LEK E	XR 150 LEK E		
1	24211-KTT-900	FORK, GEARSHIFT	2	2	2		
2	24212-KVX-600	FORK, CENTER GEARSHIFT	1	1	1		
3	24241-KRM-840	SHAFT A, GEARSHIFT FORK	1	1	1		
4	24242-KRM-840	SHAFT B, GEARSHIFT FORK	1	1	1		
5	24301-KRH-780	DRUM, GEARSHIFT	1	1	1		
6	24410-KTT-900	PLATE COMP., GEARSHIFT DRUM STOPPER	1	1	1		
7	24430-KRM-B10	STOPPER COMP., GEARSHIFT DRUM	1	1	1		
8	24436-KRM-840	SPRING, SHIFT DRUM STOPPER ..	1	1	1		
9	24610-KRM-840	SPINDLE COMP., GEARSHIFT	1	1	1		
10	24651-KRM-840	SPRING, GEARSHIFT RETURN	1	1	1		
11	24652-KRM-840	PIN, SHIFT RETURN SPRING	1	1	1		
12	35751-KPH-900	CAP, CHANGE SWITCH CONTACT ..	1	1	1		
13	35752-KRM-840	SPRING, CHANGE SWITCH CONTACT	1	1	1		
14	90003-KVS-900	BOLT, HEX., 6X20	1	1	1		
15	90022-KRM-840	PIVOT, SHIFT DRUM STOPPER ARM	1	1	1		
16	90417-KRM-840	WASHER, DRUM STOPPER	1	1	1		
17	90457-KRM-840	WASHER, 14MM	1	1	1		
18	94510-14000	CIRCLIP, EXTERNAL, 14MM	1	1	1		
19	96220-30085	ROLLER, 3X8.5	2	2	2		





Ref. No.	L.O.N.	(Relative ref. Number) Description	F.R.T.
2	1121A0	PINION, KICK STARTER	0.7
5	1121A1	RATCHET, KICK(RECOIL) STARTER	0.7
7	612135	GEAR, STARTER IDLE	1.0
8	1121A2	SPINDLE, KICK STARTER	0.7
9	112103	SPRING, KICK STARTER RETURN ..	0.7

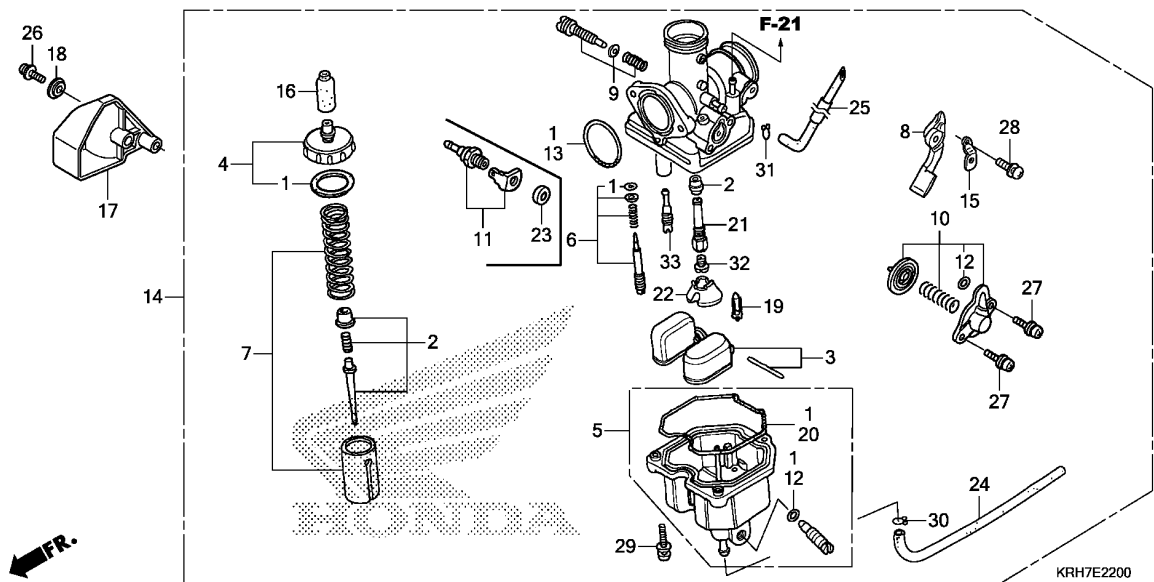
Ref. No.	Part No.	Description	Reqd. QTY			Serial No.	Parts catalogue code
			XR 125 LEK E	XL 125 LEK E	XR 150 LEK E		
1	23427-KRM-840	BUSH, 17X20.5X8.0	1	1	1		
2	28211-KVS-600	PINION, KICK STARTER(24T) ...	1	1	1		
3	28212-KVS-600	COLLAR, 18.5MM	1	1	1		
4	28215-KWK-900	PLATE, KICK STOPPER	1	1	1		
5	28221-KRM-840	RATCHET, STARTER	1	1	1		
6	28223-KRM-840	SPRING, RATCHET	1	1	1		
7	28231-KWK-900	GEAR, KICK STARTER IDLE(29T)	1	1	1		
8	28251-KWG-600	SPINDLE, KICK STARTER	1	1	1		
9	28261-KRM-840	SPRING, KICK RETURN	1	1	1		
10	28282-KRM-840	COLLAR, KICK SPRING	1	1	1		
11	90451-KRM-840	WASHER, THRUST, 16MM	2	2	2		
12	90455-KRM-840	WASHER, SPECIAL, 14MM	1	1	1		
13	90458-KVS-900	WASHER, THRUST, 17MM	2	2	2		
14	90602-KPT-900	CIRCLIP, EXTERNAL, 16MM	1	1	1		
	94510-16000	1	1	1		
15	90602-KRM-840	CIRCLIP, EXTERNAL, 17MM	1	1	1		
16	95701-06016-00	BOLT, FLANGE, 6X16	2	2	2		



Ref. No.	L.O.N.	(Relative ref. Number) Description	F.R.T.
2	3111A3	NEEDLE, JET	0.6
3		(19)	
	311120	FLOAT OR FLOAT VALVE	0.5
4	3111A5	TOP SET, CARBURETOR	0.3
5	3111A6	CHAMBER, FLOAT	0.4
7	3111A8	VALVE, THROTTLE	0.4
8	3111F7	LEVER, CHOKE :CARBURETOR SIDE	0.1
10	3111B8	VALVE, AIR CUT	0.1
11	3111B4	HEATER, CARBURETOR	0.2
14	3111B5	CARBURETOR ASSEMBLY	0.5
32		(21,33)	
	3111D4	JET, MAIN	0.5

Ref. No.	Part No.	Description	Reqd. QTY			Serial No.	Parts catalogue code
			XR 125 LEK E	XL 125 LEK E	XR 150 LEK E		
1	16010-KCH-780	GASKET SET	1	1	1		
2	16012-KRH-A01 16012-KRH-651	NEEDLE SET, JET	1	1	-		
3	16013-KEH-900	FLOAT SET	1	1	1		
4	16014-KGA-901	TOP SET	1	1	1		
5	16015-KRG-003	CHAMBER SET, FLOAT	1	1	1		
6	16016-KRM-841	SCREW SET A	1	1	1		
7	16022-KRH-781	VALVE SET, THROTTLE	1	1	1		
8	16025-KRF-B41	LEVER SET, CHOKE	1	1	1		
9	16028-KEH-900	SCREW SET B	1	1	1		
10	16048-KRH-A01	VALVE SET, AIR CUT	1	1	1		
11	16070-KRH-901 16070-KRH-681	HEATER ASSY.	1	1	-	----- 2SA,SA ----- 1LA,NZ,SA	
12	16075-GHB-640	O-RING, 1.3X4.3	2	2	2		
13	16075-GHB-B70	O-RING, 2.4X29	1	1	1		
14	16100-KRH-A02 16100-KRH-A12 16100-KRH-681 16100-KRH-651	CARBURETOR ASSY.(PDN2H A) ... CARBURETOR ASSY.(PDN2J A) ... CARBURETOR ASSY.(PDN2P A) ... CARBURETOR ASSY.(PDN2M A) ...	1 1 - -	1 - - -	- - 1 1	----- 2SA,SA ----- 3LA,DK ----- 1LA,NZ,SA ----- 3LA,DK	
15	16119-KRF-B41	PLATE, SETTING	1	1	1		
16	16148-KB1-921	CAP, CABLE SEALING	1	1	1		
17	16151-KRH-950	COVER, CARBURETOR HEATER	1	1	1	----- 1LA,2SA,NZ,SA	
18	16152-KRH-900	COLLAR, CARBURETOR HEATER					
		COVER	1	1	1	----- 1LA,2SA,NZ,SA	
19	16155-KFR-701	VALVE COMP., FLOAT	1	1	1		



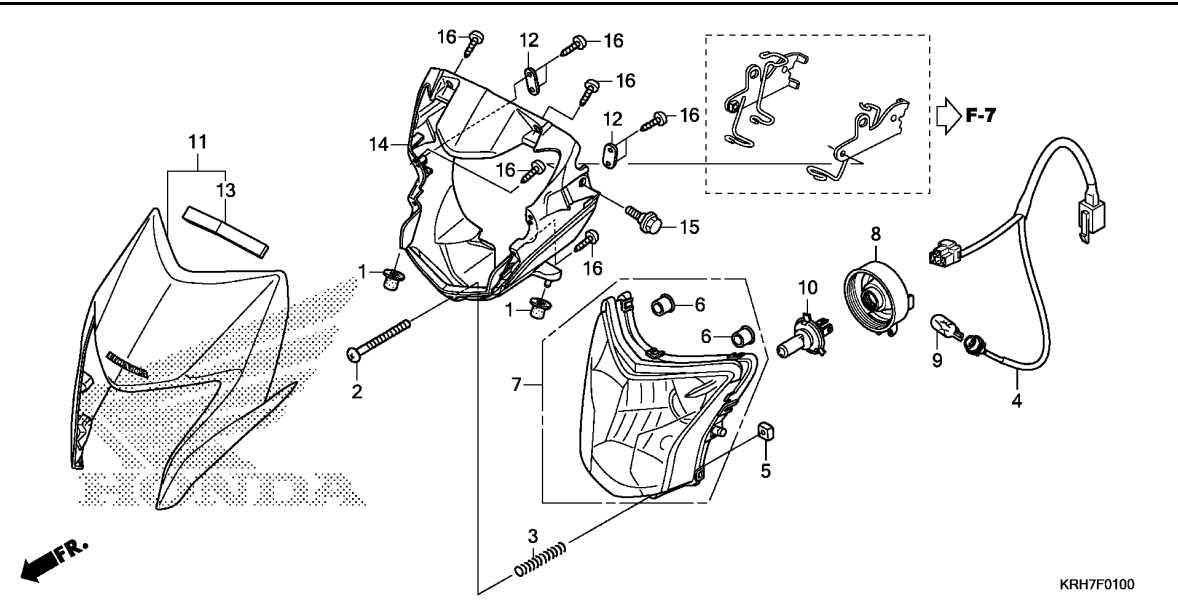


Ref. No.	Part No.	Description	Reqd. QTY			Serial No.	Parts catalogue code
			XR 125 LEK E	XL 125 LEK E	XR 150 LEK E		
20	16163-KCS-920	GASKET, FLOAT CHAMBER	1	1	1		
21	16165-KRH-782	HOLDER, NEEDLE JET	1	1	-		
	16165-KRH-651	-	-	1		
22	16168-382-014	HOLDER, JET	1	1	1		
23	16172-KCP-J01	COLLAR, SETTING	1	1	1	-----	1LA,2SA,NZ,SA
24	16198-KRE-901	TUBE	1	1	1		
25	16199-KRH-781	TUBE COMP., AIR VENT	1	1	1		
26	90001-KGA-E00	SCREW-WASHER, 4X12	1	1	1	-----	1LA,2SA,NZ,SA
27	93892-04010-10	SCREW-WASHER, 4X10	2	2	2		
28	93892-04010-18	SCREW-WASHER, 4X10	1	1	1		
29	93892-04016-08	SCREW-WASHER, 4X16	3	3	3		
30	95002-02079	CLIP, TUBE(B7)	1	1	1		
31	95002-02089	CLIP, TUBE(B8)	1	1	1		
32	99101-GHB-1000	JET, MAIN, #100	1	1	-		
	99101-GHB-1050	JET, MAIN, #105	-	-	1		
33	99103-KRH-0350	JET COMP.(#35X#35)	1	1	1		

F-1

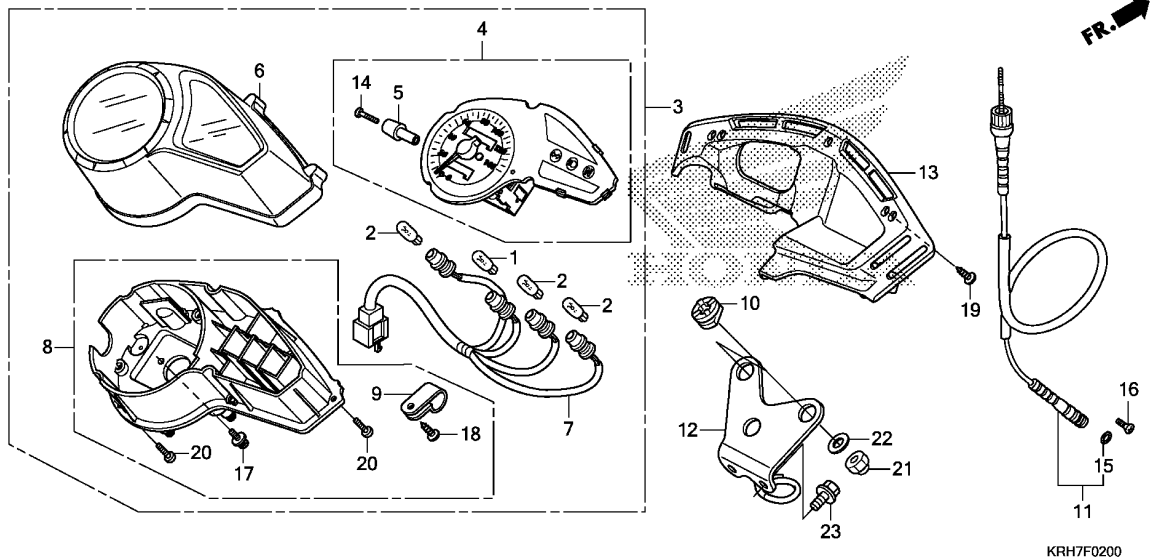
HEADLIGHT

G 1



Ref. No.	L.O.N.	(Relative ref. Number) Description	F.R.T.
4	6161B1	SOCKET, HEADLIGHT	0.1
7	6161A7	HEADLIGHT UNIT	0.2
9	616182	BULB, POSITION LIGHT	0.1
10	616118	BULB, HEADLIGHT	0.1
11	4111L3	COWL, FRONT CENTER	0.2
14	4111R9	INNER, FRONT VISOR	0.2

Ref. No.	Part No.	Description	Reqd. QTY			Serial No.	Parts catalogue code
			XR 125 LEK E	XL 125 LEK E	XR 150 LEK E		
1	19113-MB1-870	RUBBER, RADIATOR MOUNTING ...	2	2	2		
2	33103-KRH-660	SCREW, PAN, 4X60	1	1	1		
3	33107-KRE-E30	SPRING, BEAM ADJUST	1	1	1		
4	33110-KRH-601	SOCKET COMP., HEADLIGHT	1	1	1	-----	----- 1LA,2SA,3LA,DK,SA
	33110-KRH-631	-	-	1	-----	----- NZ
5	33117-KBR-730	NUT, BEAM ADJUSTING	1	1	1		
6	33117-KYY-901	CAP, SPECIAL	2	2	2		
7	33120-KRH-601	HEADLIGHT UNIT	1	1	1		
8	33122-KRH-601	COVER, SOCKET	1	1	1		
9	33301-KVJ-911	BULB, POSITION LIGHT(12V 5W)	1	1	1	-----	----- 1LA,2SA,3LA,DK,SA
	33301-KRH-631	BULB, POSITION LIGHT(12V W5W)	-	-	1	-----	----- NZ
10	34901-KVC-D01	BULB, HEADLIGHT(12V 35/35W)	1	1	1	-----	----- 1LA,2SA,3LA,DK,SA
	34901-KRH-631	-	-	1	-----	----- NZ
11	61300-KRH-660ZA	VISOR SET, FR.(WL) *TYPE1*	1	1	1		
12	61302-KPY-970	PLATE, HEADLIGHT UNIT	2	2	2		
13	61302-KRH-660	CUSHION, VISOR	1	1	1		
14	61305-KRE-E30	INNER, FR. VISOR	1	1	1		
15	90116-KRH-900	BOLT, FLANGE, 6MM	2	2	2		
16	93913-24220	SCREW, TAPPING, 4X12	10	10	10		

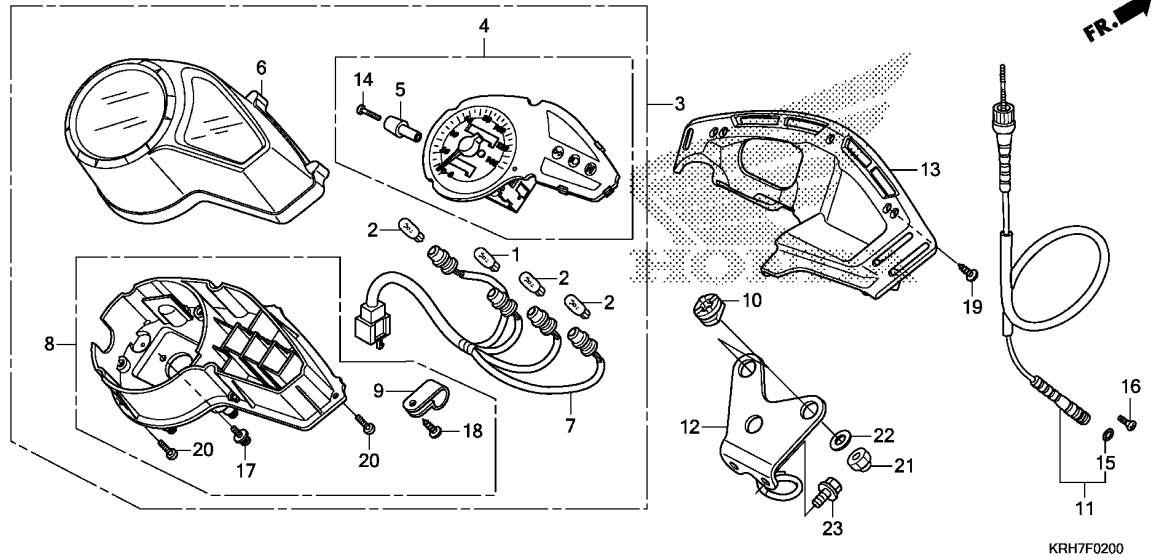


Ref. No.	L.O.N.	(Relative ref. Number) Description	F.R.T.
3	8121A1	METER ASSY., COMBINATION	0.3
4	8121H1	SPEEDOMETER	0.4
6	8121B4	CASE, METER :UPPER	0.3
7	6161G4	SOCKET ASSY., METER BULB	0.3
8	8121B5	CASE, METER :LOWER	0.4
11	811160	CABLE, SPEEDOMETER	0.2

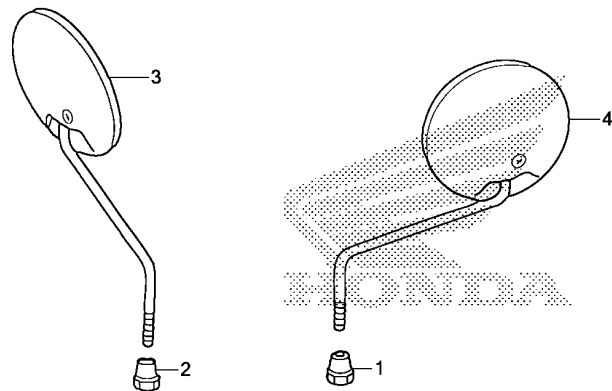
KRH7F0200

3

Ref. No.	Part No.	Description	Reqd. QTY			Serial No.	Parts catalogue code
			XR 125 LEK E	XL 125 LEK E	XR 150 LEK E		
1	34908-KVJ-911	BULB, WEDGE BASE(T10) (12V 3.4W)	1	1	1		
2	34910-GFM-901	BULB, WEDGE BASE(T10) (12V 1.7W)	3	3	3		
3	37100-KRH-601	METER ASSY., COMBINATION(KPH)	1	1	1		
4	37210-KRH-601	SPEEDOMETER COMP.	1	1	1		
5	37213-KRH-901	KNOB, TRIP	1	1	1		
6	37220-KRH-601	CASE ASSY., UPPER	1	1	1		
7	37224-KRH-601	SOCKET COMP.	1	1	1		
8	37230-KRH-601	CASE ASSY., UNDER	1	1	1		
9	37233-KRH-901	CLAMP	1	1	1		
10	37243-MG2-000	RUBBER, SPEEDOMETER MOUNTING	3	3	3		
11	44830-KRH-900	CABLE ASSY., SPEEDOMETER	1	-	1		
	44830-KRH-780	-	1	-		
12	61317-KRH-660	STAY, SPEEDOMETER	1	1	1		
13	61318-KRH-660	STAY, COUPLER	1	1	1		
14	90158-KCJ-710	SCREW, PAN, 2X6	1	1	1		
15	91256-KK3-840	O-RING, 10X1.5	1	1	1		
16	93700-05018-1A	SCREW, OVAL, 5X18	1	-	1		
17	93893-04010-08	SCREW-WASHER, 4X10	2	2	2		
18	93913-24220	SCREW, TAPPING, 4X12	1	1	1		
19	93913-24320	SCREW, TAPPING, 4X12	3	3	3		
20	93913-24420	SCREW, TAPPING, 4X16(PO)	5	5	5		
21	94021-06000-0S	NUT, CAP, 6MM	3	3	3		



Ref. No.	Part No.	Description	Reqd. QTY			Serial No.	Parts catalogue code
			XR 125	XL 125	XR 150		
22	94103-06000	WASHER, PLAIN, 6MM	3	3	3		
23	95701-06012-00	BOLT, FLANGE, 6X12	2	2	2		



Ref. L.O.N. (Relative ref. Number) F.R.T.
No. Description

NO INFORMATION

KRH7F0300

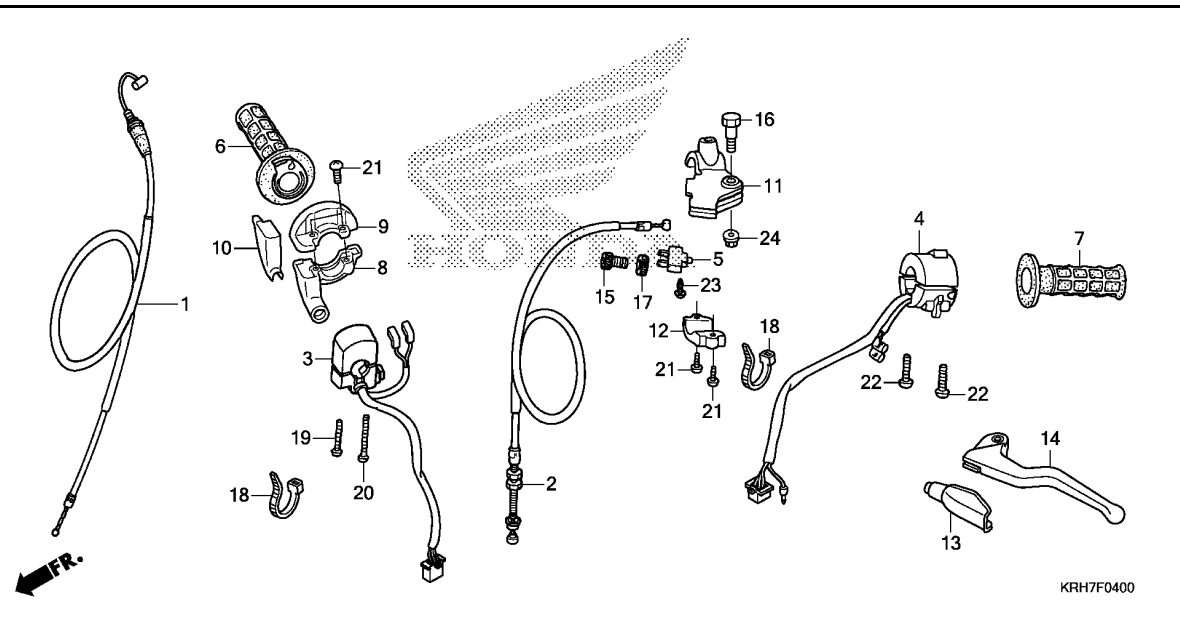
3

Ref. No.	Part No.	Description	Reqd. QTY			Serial No.	Parts catalogue code
			XR 125 LEK E	XL 125 LEK E	XR 150 LEK E		
1	88111-KRH-901	NUT, LOCK(LH) (RIGHT HAND THREAD)	1	1	1		
2	88112-KRH-901	NUT, LOCK(RH) (LEFT HAND THREAD)	1	1	1		
3	88210-KRH-900	MIRROR COMP., R.	1	-	1		
	88210-KRH-780	-	1	-		
4	88220-KRH-900	MIRROR COMP., L.	1	-	1		
	88220-KRH-780	-	1	-		

F-4

HANDLE LEVER/SWITCH/CABLE(DISK BRAKE)

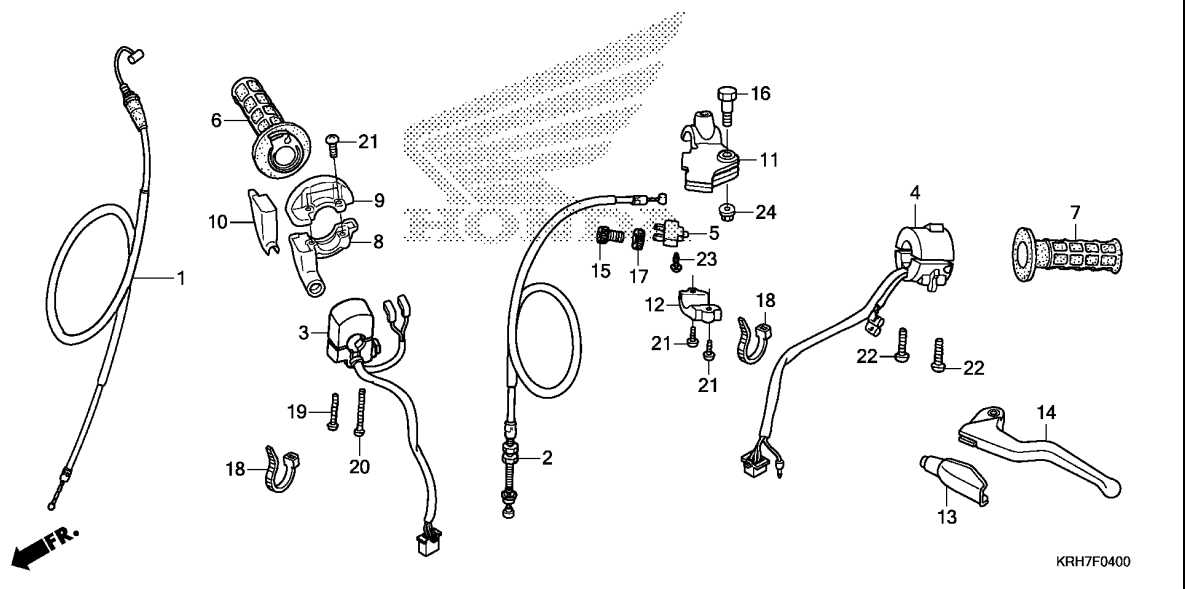
G 5



Ref. No.	L.O.N.	(Relative ref. Number) Description	F.R.T.
1	811100	CABLE, THROTTLE	0.3
2	811115	CABLE, CLUTCH	0.2
3	615120	SWITCH, STARTER KILL	0.2
4	615118	SWITCH, WINKER	0.4
5	6151A9	SWITCH, CLUTCH	0.1
6	810150	GRIP, THROTTLE	0.1
7	8101C0	GRIP, HANDLE :LEFT	0.1
8	810155	HOUSING, THROTTLE	0.1
11	8101C8	BRACKET, HANDLE LEVER :LEFT ..	0.2
14	8101C6	LEVER, HANDLE :LEFT	0.1
	8101F5	LEVER, HANDLE :BOTH	0.2

Ref. No.	Part No.	Description	Reqd. QTY			Serial No.	Parts catalogue code
			XR 125 LEK E	XL 125 LEK E	XR 150 LEK E		
1	17910-KRH-A00	CABLE COMP., THROTTLE	1	-	1		
2	22870-KRH-780	CABLE COMP., CLUTCH	1	-	1		
3	35131-KRH-601	SWITCH COMP., START	1	-	1	----- 1LA,3LA,DK,SA	
	35131-KRH-631	-	-	1	----- NZ	
4	35201-KRH-601	SWITCH COMP., WINKER	1	-	1		
5	35330-KRH-901	SWITCH ASSY., CLUTCH	1	-	1		
6	53140-KB9-752	GRIP ASSY., THROTTLE	1	-	1		
7	53166-MK5-010	GRIP, L. HANDLE	1	-	1		
8	53167-KRH-920	HOUSING, UPPER THROTTLE	1	-	1		
		(LOWER)	1	-	1		
9	53168-KRH-920	HOUSING, LOWER THROTTLE	1	-	1		
		(UPPER)	1	-	1		
10	53169-KRH-900	SLIDER, THROTTLE	1	-	1		
11	53172-KRH-900	BRACKET, L. HANDLE LEVER	1	-	1		
12	53174-KRH-900	HOLDER, L. LEVER BRACKET	1	-	1		
13	53177-KRH-900	COVER, L. HANDLE LEVER	1	-	1		
14	53178-KRH-900	LEVER, L. STEERING HANDLE	1	-	1		
15	53192-KRH-900	BOLT, WIRE ADJUSTING	1	-	1		
16	90113-KRH-900	BOLT, HANDLE LEVER PIVOT	1	-	1		
17	90322-KRH-900	NUT, FIXING	1	-	1		
18	90650-KW3-000	BAND, WIRE	2	-	2		
19	93500-04032-0G	SCREW, PAN, 4X32	1	-	1		
20	93500-04045-0G	SCREW, PAN, 4X45	1	-	1		
21	93500-05016-0G	SCREW, PAN, 5X16	4	-	4		

3



KRH7F0400

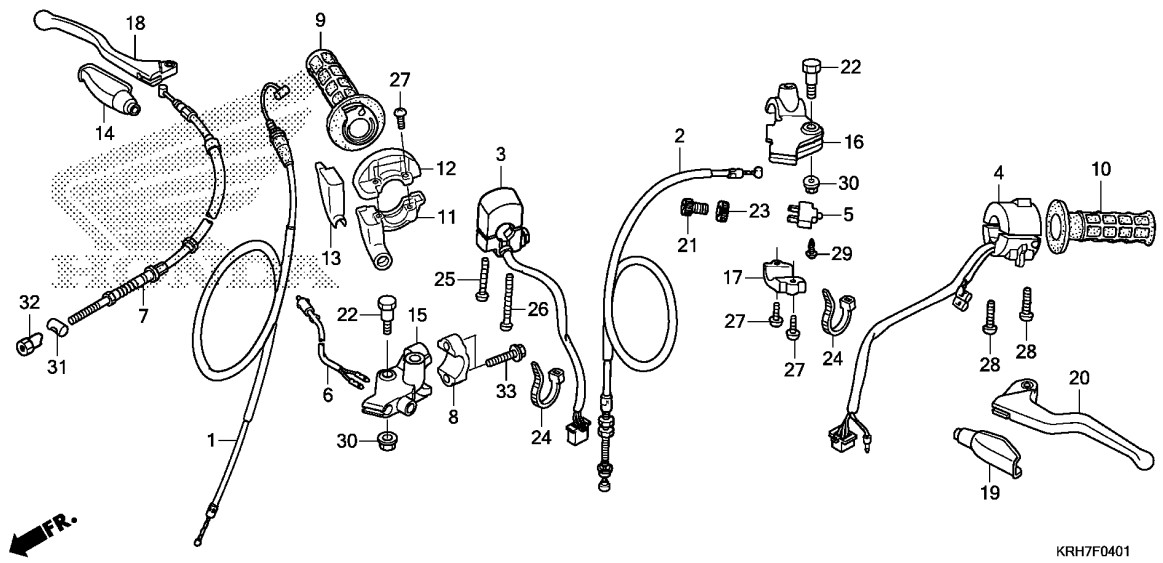
3

Ref. No.	Part No.	Description	Reqd. QTY			Serial No.	Parts catalogue code
			XR 125	XL 125	XR 150		

22	93500-05020-0G	SCREW, PAN, 5X20	2	-	2		
23	93901-32320	SCREW, TAPPING, 3X12	1	-	1		
24	94050-06000	NUT, FLANGE, 6MM	1	-	1		

F-4-1

HANDLE LEVER/SWITCH/CABLE(DRUM BRAKE)



Ref. No.	L.O.N.	(Relative ref. Number) Description	F.R.T.
1	811100	CABLE, THROTTLE	0.3
2	811115	CABLE, CLUTCH	0.2
3	615120	SWITCH, STARTER KILL	0.2
4	615118	SWITCH, WINKER	0.4
5	6151A9	SWITCH, CLUTCH	0.1
6	6151B2	SWITCH, FRONT STOP	0.3
7	811125	CABLE, FRONT BRAKE	0.2
9	810150	GRIP, THROTTLE	0.1
10	8101C0	GRIP, HANDLE :LEFT	0.1
11	810155	HOUSING, THROTTLE	0.1
15	8101C9	BRACKET, HANDLE LEVER :RIGHT ..	0.2
16	8101C8	BRACKET, HANDLE LEVER :LEFT ..	0.2
18	8101C7	LEVER, HANDLE :RIGHT	0.1
20	8101C6	LEVER, HANDLE :LEFT	0.1
	8101F5	LEVER, HANDLE :BOTH	0.2

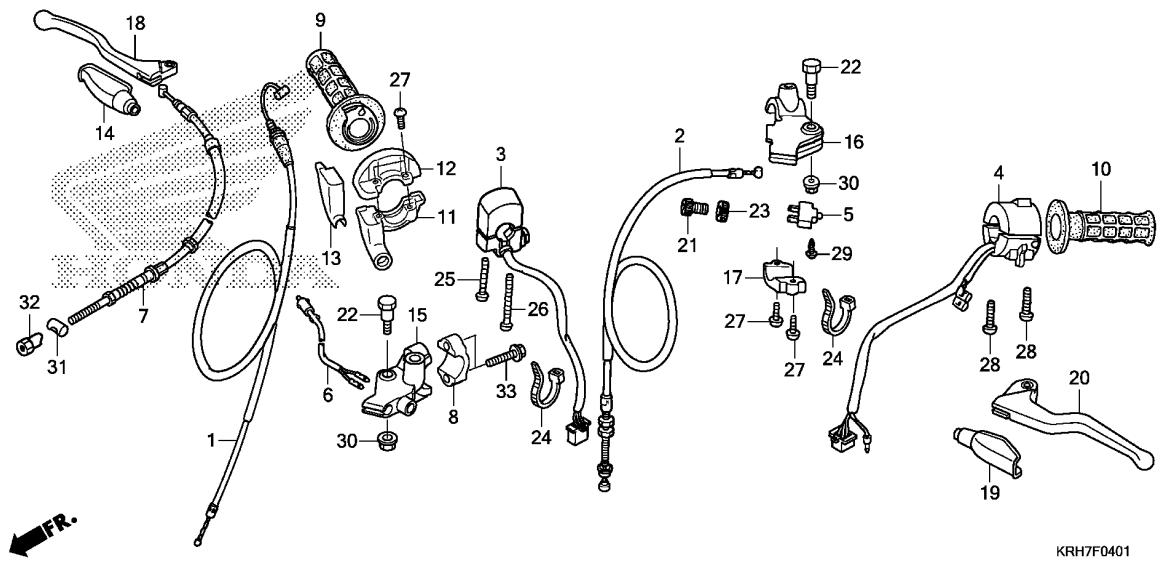
Ref. No.	Part No.	Description	Reqd. QTY			Serial No.	Parts catalogue code
			XR 125 LEK E	XL 125 LEK E	XR 150 LEK E		
1	17910-KRH-780	CABLE COMP., THROTTLE	-	1	-		
2	22870-KRH-780	CABLE COMP., CLUTCH	-	1	-		
3	35131-KRH-641	SWITCH COMP., START	-	1	-		
4	35201-KRH-601	SWITCH COMP., WINKER	-	1	-		
5	35330-KRH-901	SWITCH ASSY., CLUTCH	-	1	-		
6	35340-KRH-641	SWITCH ASSY., FR. STOP	-	1	-		
7	45450-KRH-781	CABLE COMP., FR. BRAKE	-	1	-		
8	45517-KCS-W60	HOLDER, MASTER CYLINDER	-	1	-		
9	53140-KB9-752	GRIP ASSY., THROTTLE	-	1	-		
10	53166-MK5-010	GRIP, L. HANDLE	-	1	-		
11	53167-KRH-920	HOUSING, UPPER THROTTLE	-	1	-		
12	53168-KRH-920	HOUSING, LOWER THROTTLE	-	1	-		
13	53169-KRH-900	SLIDER, THROTTLE	-	1	-		
14	53171-402-700	COVER, R. HANDLE LEVER	-	1	-		
15	53171-KRH-780	BRACKET, R. HANDLE LEVER	-	1	-		
16	53172-KRH-900	BRACKET, L. HANDLE LEVER	-	1	-		
17	53174-KRH-900	HOLDER, L. LEVER BRACKET	-	1	-		
18	53175-KRH-780	LEVER, R. STEERING HANDLE	-	1	-		
19	53177-KRH-900	COVER, L. HANDLE LEVER	-	1	-		
20	53178-KRH-900	LEVER, L. STEERING HANDLE	-	1	-		
21	53192-KRH-900	BOLT, WIRE ADJUSTING	-	1	-		
22	90113-KRH-900	BOLT, HANDLE LEVER PIVOT	-	2	-		



F-4-1

HANDLE LEVER/SWITCH/CABLE(DRUM BRAKE)

G 8

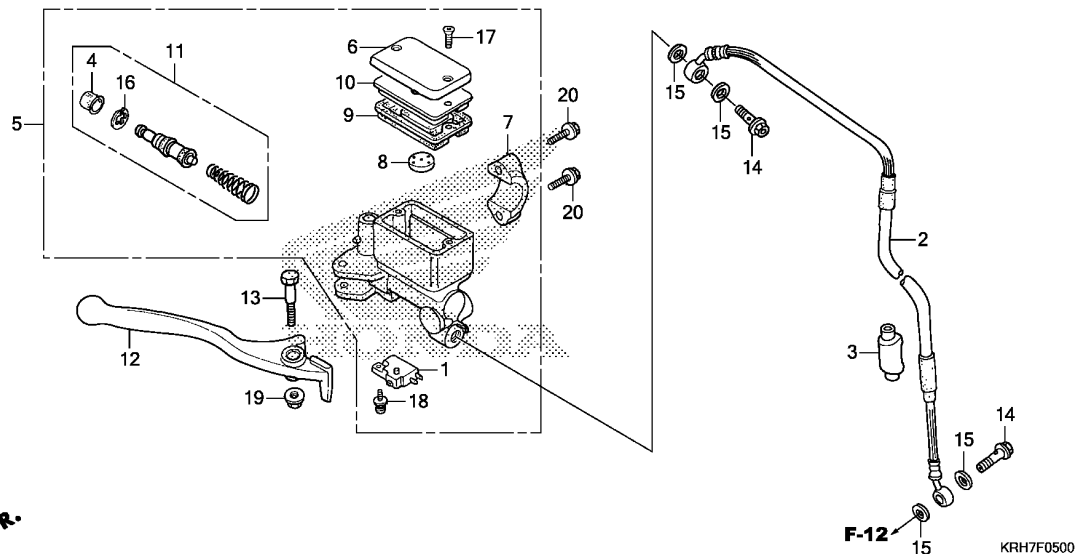
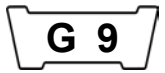


Ref. No.	Part No.	Description	Reqd. QTY			Serial No.	Parts catalogue code
			XR 125 LEK E	XL 125 LEK E	XR 150 LEK E		
23	90322-KRH-900	NUT, FIXING	-	1	-		
24	90650-KW3-000	BAND, WIRE	-	2	-		
25	93500-04032-0G	SCREW, PAN, 4X32	-	1	-		
26	93500-04045-0G	SCREW, PAN, 4X45	-	1	-		
27	93500-05016-0G	SCREW, PAN, 5X16	-	4	-		
28	93500-05020-0G	SCREW, PAN, 5X20	-	2	-		
29	93901-32320	SCREW, TAPPING, 3X12	-	1	-		
30	94050-06000	NUT, FLANGE, 6MM	-	2	-		
31	95015-32001	JOINT B, BRAKE ARM	-	1	-		
32	95015-42000	NUT B, BRAKE ROD ADJUSTING ..	-	1	-		
33	95701-06022-07	BOLT, FLANGE, 6X22	-	2	-		

3

F-5

FRONT BRAKE MASTER CYLINDER



Ref. No.	L.O.N.	(Relative ref. Number) Description	F.R.T.
1	6151B2	SWITCH, FRONT STOP	0.1
2	7121A0	HOSE, FRONT BRAKE	0.4
		.INCLUDES: Bleed brakes	
5	712105	CYLINDER, FRONT BRAKE MASTER	0.4
		.INCLUDES: Bleed brakes	
9	7121G6	DIAPHRAGM, FRONT BRAKE MASTER CYLINDER	0.1
11	7121G9	PISTON SET, FRONT BRAKE MASTER	0.4
		.INCLUDES: Bleed brakes	
12	8101C7	LEVER, HANDLE :RIGHT	0.1
	8101F5	LEVER, HANDLE :BOTH	0.2

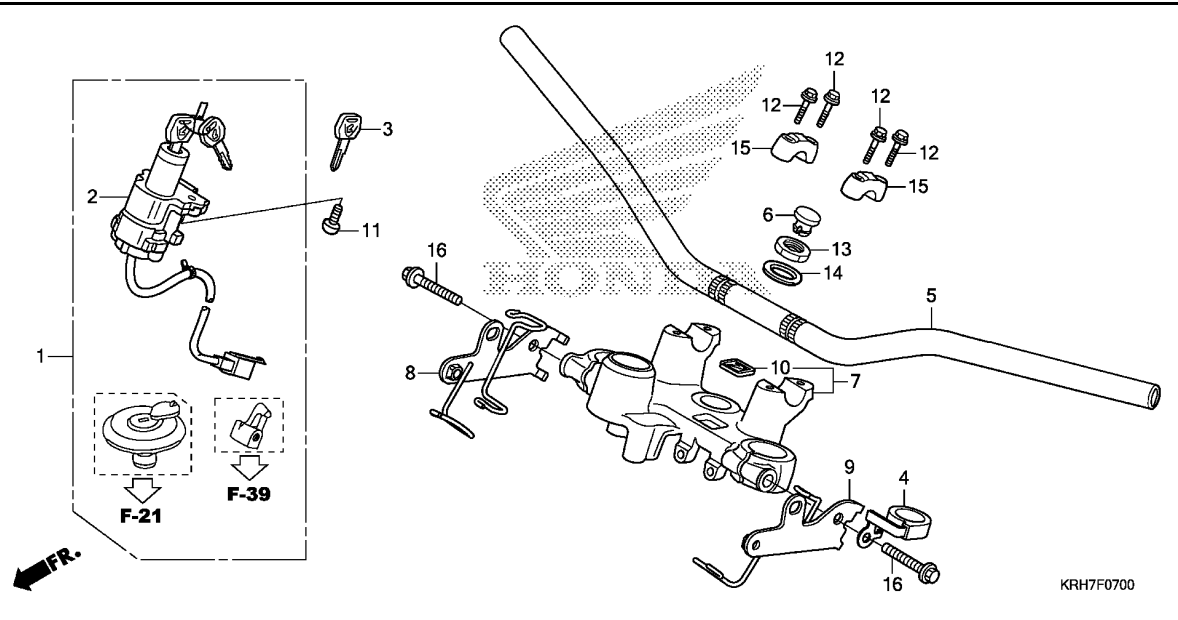
Ref. No.	Part No.	Description	Reqd. QTY			Serial No.	Parts catalogue code
			XR 125 LEK E	XL 125 LEK E	XR 150 LEK E		
1	35340-MM5-600	SWITCH ASSY., FR. STOP	1	-	1	----- 1LA,3LA,DK,SA	
	35340-MGS-D31	-	-	1	----- NZ	
2	45125-KRE-921	HOSE COMP., FR. BRAKE	1	-	1		
3	45463-KRH-D00	COVER, BRAKE HOSE CLAMPER ...	1	-	1		
4	45504-410-003	BOOT COMP.	1	-	1		
5	45510-KRH-901	CYLINDER SUB ASSY., FR. BRAKE MASTER	1	-	1	----- 1LA,3LA,DK,SA	
	45510-KRH-631	-	-	1	----- NZ	
6	45513-HA2-006	CAP, MASTER CYLINDER	1	-	1		
7	45517-166-006	HOLDER, MASTER CYLINDER	1	-	1		
8	45518-MG3-016	SEPARATOR COMP.	1	-	1		
9	45520-MG7-006	DIAPHRAGM	1	-	1		
10	45521-HA2-006	PLATE, DIAPHRAGM	1	-	1		
11	45530-KRH-305	CYLINDER SET, MASTER	1	-	1		
12	53175-KRH-901	LEVER, R. STEERING HANDLE ...	1	-	1		
13	90114-166-006	BOLT, HANDLE LEVER PIVOT	1	-	1		
14	90145-KRH-901	BOLT, OIL, 10X22	2	-	2		
15	90545-300-000	WASHER, OIL BOLT	4	-	4		
16	90651-MA5-671	CIRCLIP	1	-	1		
17	93600-04012-16	SCREW, FLAT, 4X12	2	-	2		
18	93893-04012-17	SCREW-WASHER, 4X12	1	-	1		
19	94050-06000	NUT, FLANGE, 6MM	1	-	1		
20	96001-06022-00	BOLT, FLANGE, 6X22	2	-	2		



F-7

HANDLE PIPE/TOP BRIDGE

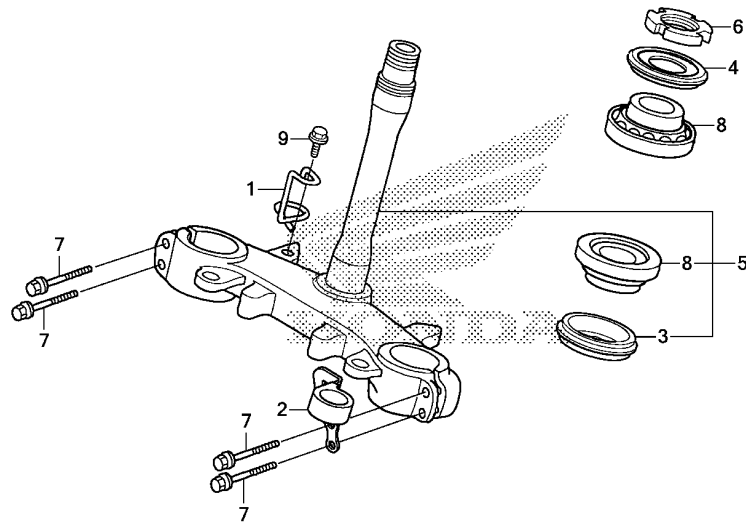
G10



Ref. No.	L.O.N.	(Relative ref. Number) Description	F.R.T.
1	6151A1	KEY SET	0.7
2	615145	SWITCH, COMBINATION & LOCK ...	0.6
5	810100	PIPE, STEERING HANDLE	0.4
7	510110	BRIDGE, FORK TOP	0.5

3

Ref. No.	Part No.	Description	Reqd. QTY			Serial No.	Parts catalogue code
			XR 125 LEK E	XL 125 LEK E	XR 150 LEK E		
1	35010-KRH-600	KEY SET	1	1	1		
2	35100-KRH-601	SWITCH ASSY., COMBINATION & LOCK	1	1	1		
3	35121-KRH-900	KEY COMP.	(1)	(1)	(1)		
4	45470-KRH-660	GUIDE COMP., BRAKE HOSE(UPPER)	1	1	1		
5	53100-KRH-900ZA	PIPE, STEERING HANDLE	1	-	1		
		NH1.....BLACK	-	1	-		
	53100-KRH-640ZA	*NH1*.....BLACK	-	1	-		
6	53208-KCH-900	CAP, STEERING STEM	1	1	1		
7	53300-KRH-660ZA	BRIDGE COMP., FORK TOP	1	1	1		
		NH105...MAT BLACK (#15-#20)	1	1	1		
8	61311-KRH-660	STAY, R. VISOR	1	1	1		
9	61312-KRH-660	STAY, L. VISOR	1	1	1		
10	86150-KPG-901	EMBLEM, PRODUCT(MARUI)	1	1	1		
	86150-KPG-902	EMBLEM, PRODUCT(UEHARA)	1	1	1		
11	90107-MCN-610	BOLT, ONE-WAY, 8MM	2	2	2		
12	90111-KRH-900	BOLT, FLANGE, 8X36	4	4	4		
13	90308-KRH-900	NUT, STEERING STEM	1	1	1		
14	90503-KRH-900	WASHER, STEERING STEM	1	1	1		
15	95014-22200	HOLDER B2, HANDLE PIPE UPPER	2	2	2		
16	95701-08045-07	BOLT, FLANGE, 8X45	2	2	2		



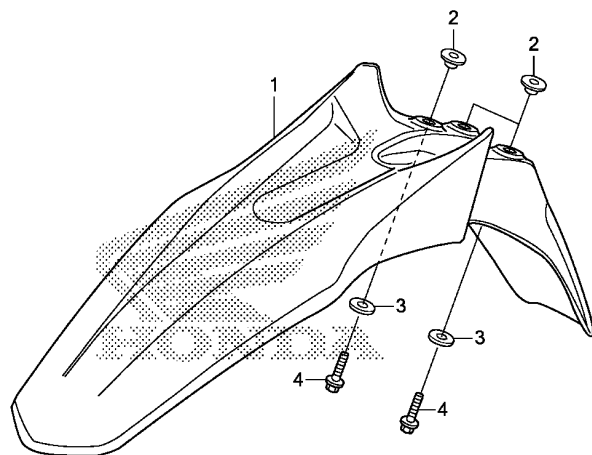
Ref. No.	L.O.N.	(Relative ref. Number) Description	F.R.T.
5	510100	STEM OR SHAFT ASSY., STEERING (4)	1.1
6	5101B2	THREAD, STEERING HEAD TOP (3)	0.5
8	5101B6	BEARING, HEAD PIPE :UPPER	1.1
	5101B7	BEARING, HEAD PIPE :LOWER	1.2
	5101C7	BEARING, HEAD PIPE :BOTH	1.2

Ref. No.	Part No.	Description	Reqd. QTY			Serial No.	Parts catalogue code
			XR 125 LEK E	XL 125 LEK E	XR 150 LEK E		
1	44833-KRH-780	GUIDE, SPEEDOMETER CABLE	1	1	1		
2	45460-KRH-660	GUIDE, BRAKE CABLE LOWER	1	1	1		
3	53214-KRH-901	DUST SEAL, STEERING HEAD	1	1	1		
4	53215-KRH-901	DUST SEAL, STEERING HEAD	1	1	1		
5	53219-KRH-900	STEM SUB ASSY., STEERING	1	-	1		
	53219-KRH-780	-	1	-		
6	53229-KRH-900	THREAD, STEERING HEAD TOP ...	1	1	1		
7	90106-KRH-900	BOLT, FLANGE, 8X35	4	4	4		
8	91015-KRH-901	BEARING, HEAD PIPE	2	2	2		
9	95701-06012-00	BOLT, FLANGE, 6X12	1	1	1		

F-10

FRONT FENDER

G12



FR.

KRH7F1000

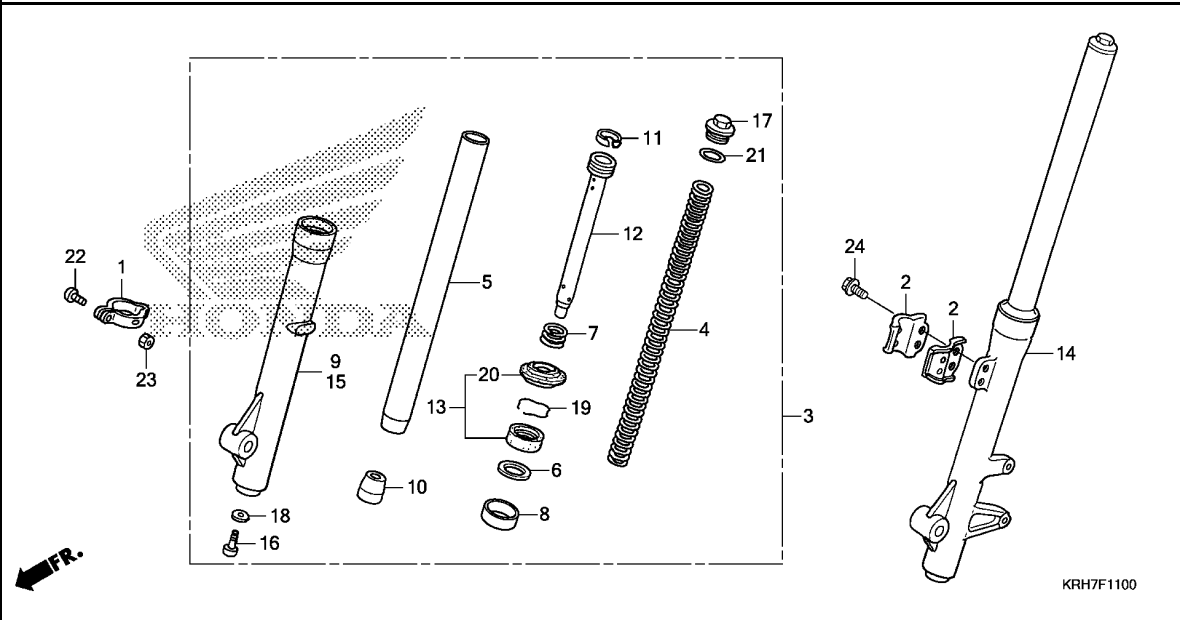
Ref. No.	L.O.N.	(Relative ref. Number) Description	F.R.T.
1	4131B7	FENDER, FRONT	0.1

3

Ref. No.	Part No.	Description	Reqd. QTY			Serial No.	Parts catalogue code
			XR 125 LEK E	XL 125 LEK E	XR 150 LEK E		
1	61100-KRH-660ZA	FENDER, FR.					
		R134.....FIGHTING RED	1	1	1		
	61100-KRH-660ZB	*NH196*.....ROSS WHITE	1	1	1		
	61100-KRH-660ZC	*NH1*.....BLACK	1	-	1	----- 1LA,3LA,DK,NZ	
2	61104-KRH-900	COLLAR, FENDER MOUNTING	4	4	4		
3	90546-KRH-900	WASHER, 6.5X20	4	4	4		
4	95701-06025-00	BOLT, FLANGE, 6X25	4	4	4		

F-11

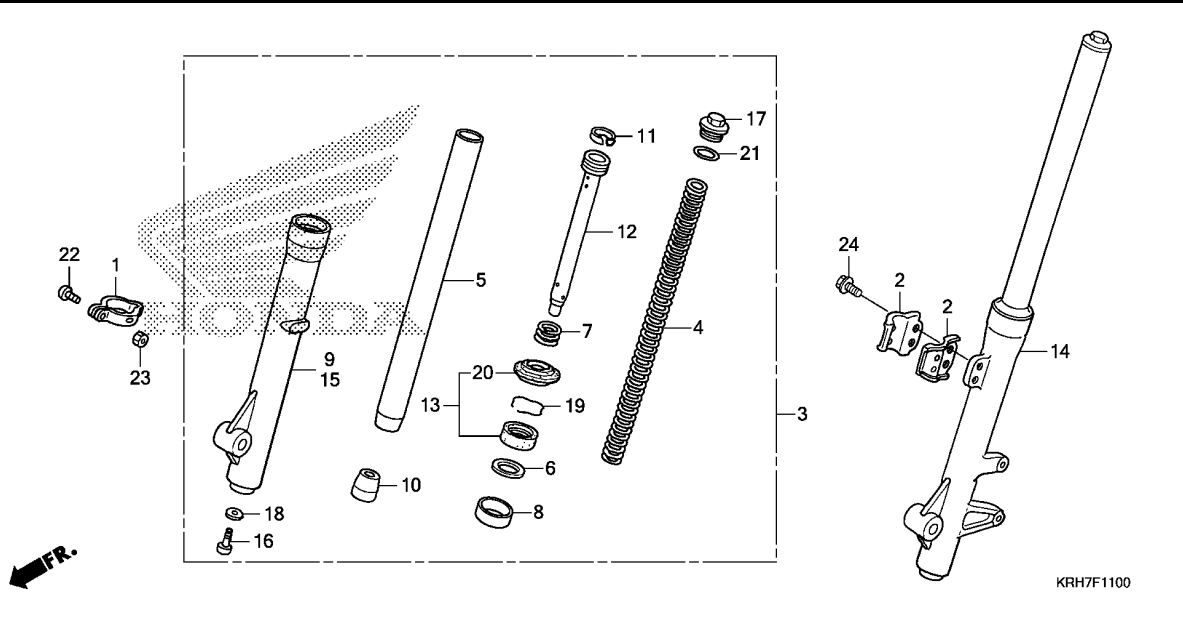
FRONT FORK(XR125LEK/XR150LEK)



Ref. No.	L.O.N.	(Relative ref. Number) Description	F.R.T.
3	5111C3	FORK ASSY., FRONT :RIGHT	0.4
4	5111C5	SPRING, FRONT FORK :LEFT	0.2
	5111C6	SPRING, FRONT FORK :RIGHT	0.2
	5111C7	SPRING, FRONT FORK :BOTH	0.4
5		(7,8,10,11,12)	
	5111G2	PIPE, FRONT FORK :LEFT	0.8
	5111G3	PIPE, FRONT FORK :RIGHT	0.8
	5111G4	PIPE, FRONT FORK :BOTH	1.3
9	5111D2	CASE, BOTTOM :RIGHT	0.8
13	5111E7	SEAL SET, FRONT FORK :LEFT	0.8
	5111E8	SEAL SET, FRONT FORK :RIGHT	0.8
	5111E9	SEAL SET, FRONT FORK :BOTH	1.3
14	5111C2	FORK ASSY., FRONT :LEFT	0.4
	5111C4	FORK ASSY., FRONT :BOTH	0.6
15	5111D1	CASE, BOTTOM :LEFT	0.8
	5111D3	CASE, BOTTOM :BOTH	1.3

Ref. No.	Part No.	Description	Reqd. QTY			Serial No.	Parts catalogue code
			XR 125 LEK E	XL 125 LEK E	XR 150 LEK E		
1	44832-KRH-900	CLAMPER, SPEEDOMETER CABLE	1	-	1		
2	45461-KRH-900	CLAMPER A, BRAKE HOSE	2	-	2		
3	51400-KRH-901	FORK ASSY., R. FR.	1	-	1		
4	51401-KRH-901	SPRING, FR. FORK	2	-	2		
5	51410-KRH-901	PIPE COMP., FR. FORK	2	-	2		
6	51412-GGC-901	WASHER, OIL SEAL (CHUANNAN ABSORBER)	2	-	2		
7	51413-KRH-901	SPRING, REBOUND	2	-	2		
8	51414-GFM-J11	GUIDE, FR. FORK (CHUANNAN ABSORBER)	2	-	2		
9	51420-KRH-901	CASE, R. BOTTOM	1	-	1		
10	51432-KRH-901	PIECE, OIL LOCK	2	-	2		
11	51437-KRH-901	RING, PISTON	2	-	2		
12	51440-KRH-901	PIPE, SEAT	2	-	2		
13	51490-KRH-901	SEAL SET, FR. FORK	2	-	2		
14	51500-KRH-901	FORK ASSY., L. FR.	1	-	1		
15	51520-KRH-901	CASE, L. BOTTOM	1	-	1		
16	90116-KRF-H71	BOLT, SOCKET, 8X30 (CHUANNAN ABSORBER)	2	-	2		
17	90123-KRF-H71	BOLT, FR. FORK	2	-	2		
18	90544-KRF-H71	WASHER, SPECIAL, 8MM (CHUANNAN ABSORBER)	2	-	2		
19	90651-KRF-H71	RING, OIL SEAL STOPPER (CHUANNAN ABSORBER)	2	-	2		
20	91254-KRH-901	SEAL, DUST	2	-	2		





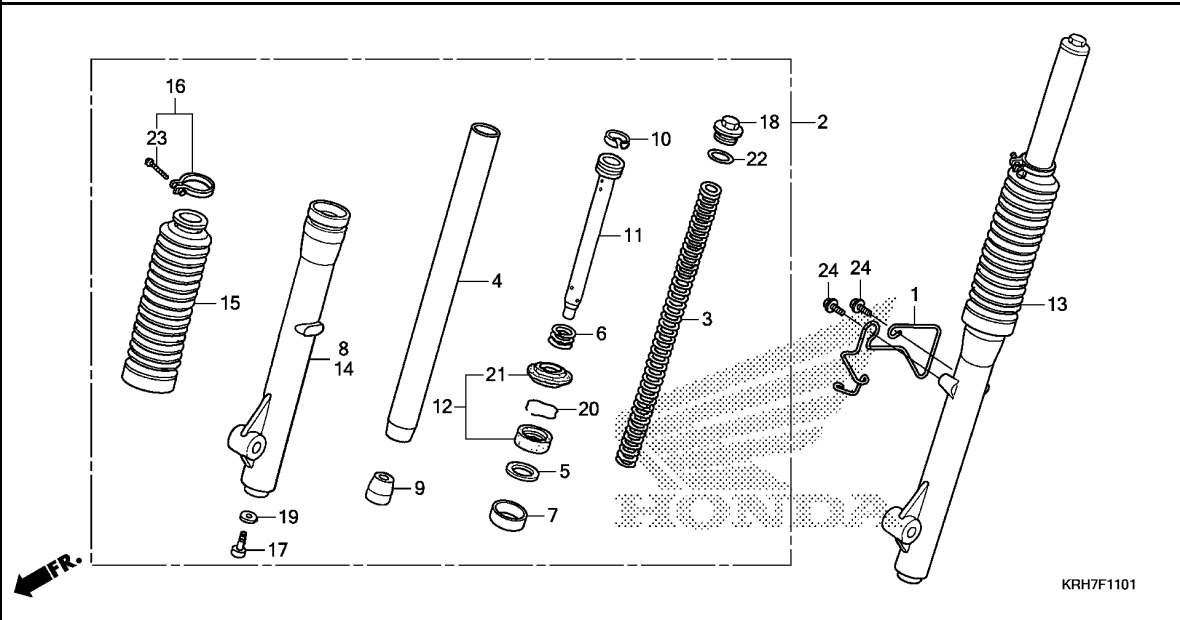
Ref. No.	Part No.	Description	Reqd. QTY			Serial No.	Parts catalogue code
			XR 125 LEK E	XL 125 LEK E	XR 150 LEK E		

21	91351-KRF-H71	O-RING, 22X2.8 (CHUANNAN ABSORBER)	2	-	2		
22	93500-05018-0G	SCREW, PAN, 5X18	1	-	1		
23	94001-05070-0S	NUT, HEX., 5MM	1	-	1		
24	96001-06016-00	BOLT, FLANGE, 6X16	2	-	2		

F-11-1

FRONT FORK(XL125LEK)

G15



Ref. No.	L.O.N.	(Relative ref. Number) Description	F.R.T.
2	5111C3	FORK ASSY., FRONT :RIGHT	0.4
3	5111C5	SPRING, FRONT FORK :LEFT	0.2
	5111C6	SPRING, FRONT FORK :RIGHT	0.2
	5111C7	SPRING, FRONT FORK :BOTH	0.4
4		(6,7,9,10,11)	
	5111G2	PIPE, FRONT FORK :LEFT	0.8
	5111G3	PIPE, FRONT FORK :RIGHT	0.8
	5111G4	PIPE, FRONT FORK :BOTH	1.3
8	5111D2	CASE, BOTTOM :RIGHT	0.8
12	5111E7	SEAL SET, FRONT FORK :LEFT	0.8
	5111E8	SEAL SET, FRONT FORK :RIGHT	0.8
	5111E9	SEAL SET, FRONT FORK :BOTH	1.3
13	5111C2	FORK ASSY., FRONT :LEFT	0.4
	5111C4	FORK ASSY., FRONT :BOTH	0.6
14	5111D1	CASE, BOTTOM :LEFT	0.8
	5111D3	CASE, BOTTOM :BOTH	1.3
15	5111J9	BOOT, FRONT FORK :LEFT	0.4
	5111K0	BOOT, FRONT FORK :RIGHT	0.4
	5111K1	BOOT, FRONT FORK :BOTH	0.6

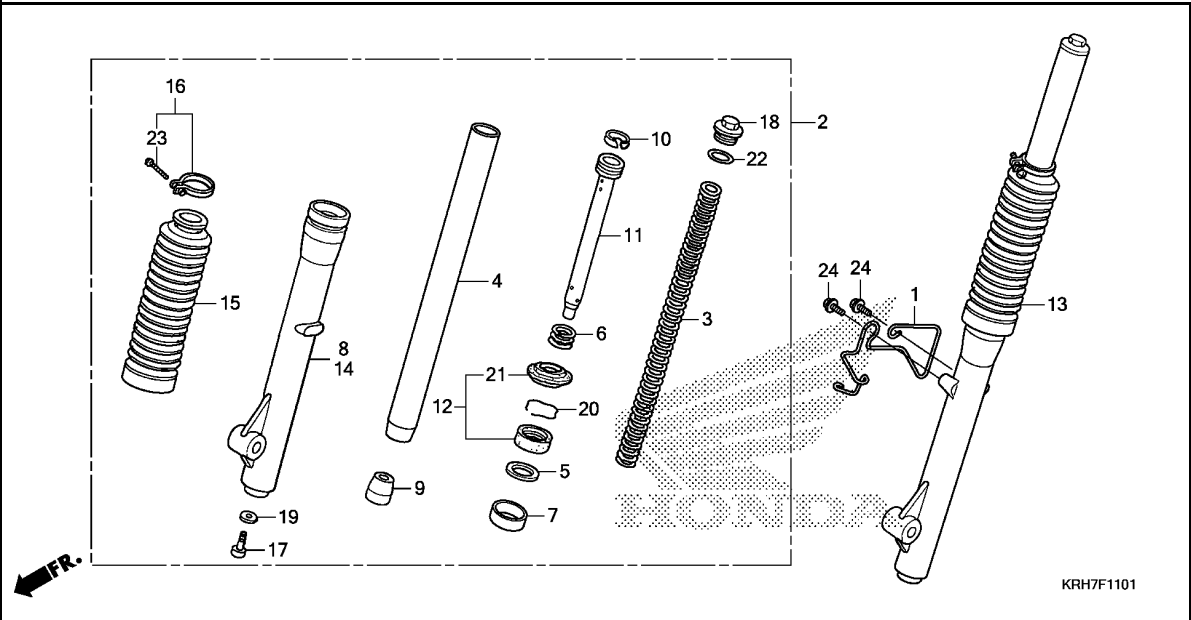
Ref. No.	Part No.	Description	Reqd. QTY			Serial No.	Parts catalogue code
			XR 125 LEK E	XL 125 LEK E	XR 150 LEK E		
1	44834-KRH-780	GUIDE, SPEEDOMETER CABLE	-	1	-		
2	51400-KRH-781	FORK ASSY., R. FR.	-	1	-		
3	51401-KRH-781	SPRING, FR. FORK	-	2	-		
4	51410-KRH-781	PIPE COMP., FR. FORK	-	2	-		
5	51412-GGC-901	WASHER, OIL SEAL (CHUANNAN ABSORBER)	-	2	-		
6	51413-KRH-901	SPRING, REBOUND	-	2	-		
7	51414-GFM-J11	GUIDE, FR. FORK (CHUANNAN ABSORBER)	-	2	-		
8	51420-KRH-781	CASE, R. BOTTOM	-	1	-		
9	51432-KRH-901	PIECE, OIL LOCK	-	2	-		
10	51437-KRH-901	RING, PISTON	-	2	-		
11	51440-KRH-781	PIPE, SEAT	-	2	-		
12	51490-KRH-901	SEAL SET, FR. FORK	-	2	-		
13	51500-KRH-781	FORK ASSY., L. FR.	-	1	-		
14	51520-KRH-781	CASE, L. BOTTOM	-	1	-		
15	51611-KRH-781	BOOT, FR. FORK	-	2	-		
16	51612-KTJ-C00	BAND, FR. FORK BOOT (CHUANNAN ABSORBER)	-	2	-		
17	90116-KRF-H71	BOLT, SOCKET, 8X30 (CHUANNAN ABSORBER)	-	2	-		
18	90123-KRF-H71	BOLT, FR. FORK	-	2	-		
19	90544-KRF-H71	WASHER, SPECIAL, 8MM (CHUANNAN ABSORBER)	-	2	-		
20	90651-KRH-781	RING, OIL SEAL STOP	-	2	-		

3

F-11-1

FRONT FORK(XL125LEK)

G16



3

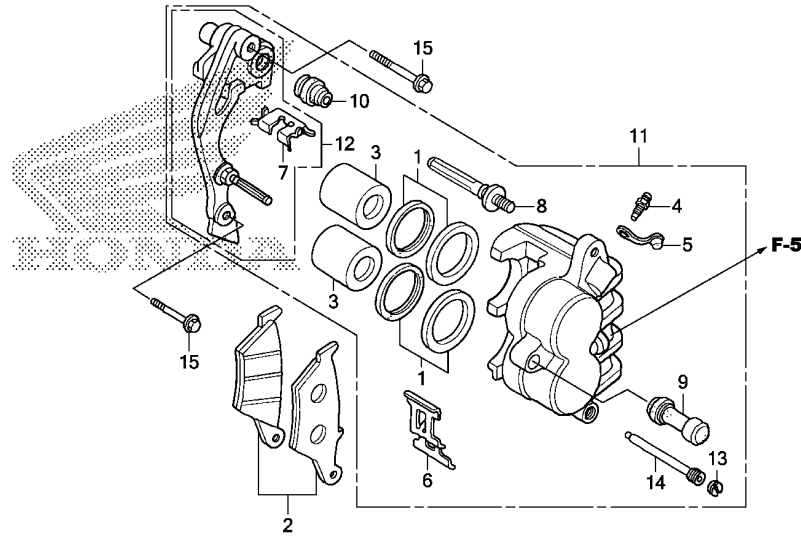
Ref. No.	Part No.	Description	Reqd. QTY			Serial No.	Parts catalogue code
			XR 125 LEK E	XL 125 LEK E	XR 150 LEK E		

21	91254-KRH-901	SEAL, DUST	-	2	-		
22	91351-KRF-H71	O-RING, 22X2.8 (CHUANNAN ABSORBER)	-	2	-		
23	93500-03020-0G	SCREW, PAN, 3X20	-	2	-		
24	95701-06016-00	BOLT, FLANGE, 6X16	-	2	-		

F-12

FRONT BRAKE CALIPER

H 1



KRH7F1200

Ref. No.	L.O.N.	(Relative ref. Number) Description	F.R.T.
2	7111N1	SHOE(PAD) SET, BRAKE(A) :FRONT (1)	0.1
3	7111D1	PISTON, FRONT BRAKE CALIPER .. .INCLUDES: Bleed brakes .NOTE: Same time for two units	0.5
11	711130	CALIPER, FRONT BRAKE	0.4
12	7111G0	BRACKET, FRONT CALIPER	0.2

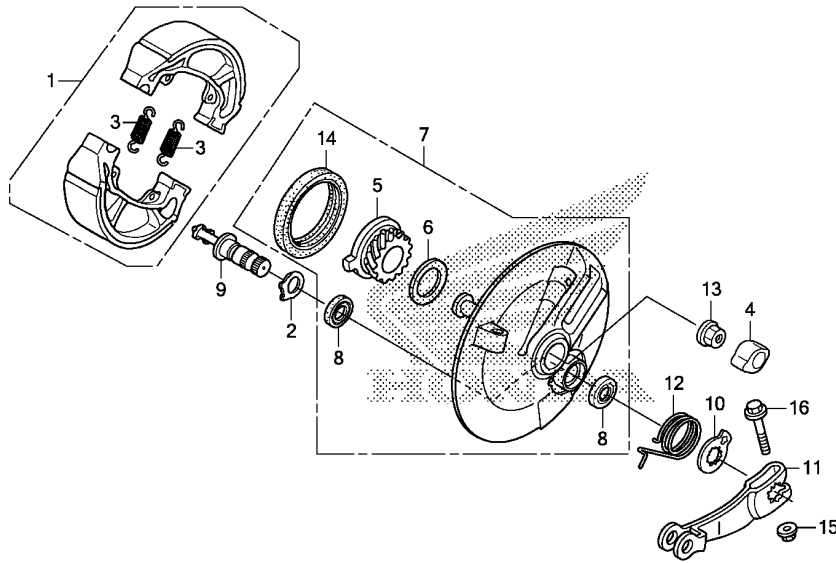
Ref. No.	Part No.	Description	Reqd. QTY			Serial No.	Parts catalogue code
			XR 125 LEK E	XL 125 LEK E	XR 150 LEK E		
1	06431-MA3-405	SEAL SET, PISTON	2	-	2		
2	06455-KHA-942	PAD SET, FR.	1	-	1		
3	43107-MAJ-641	PISTON, 27X31	2	-	2		
4	43352-568-003	SCREW, BLEEDER(NISSIN)	1	-	1		
5	43353-461-771	CAP, BLEEDER	1	-	1		
6	45108-KW8-901	SPRING, PAD	1	-	1		
7	45112-KS6-701	RETAINER	1	-	1		
8	45131-HA5-672	BOLT A, PIN	1	-	1		
9	45132-166-016	BOOT, PIN BUSH(NISSIN)	1	-	1		
10	45133-MA3-006	BOOT B	1	-	1		
11	45150-KRH-D21	CALIPER SUB ASSY., L. FR. (NISSIN)	1	-	1		
12	45190-KCZ-J71	BRACKET SUB ASSY., L. FR.	1	-	1		
13	45203-MG3-016	PLUG, PIN	1	-	1		
14	45215-ML7-922	PIN, HANGER	1	-	1		
15	90131-KRH-900	BOLT, FLANGE, 8X40	2	-	2		

3

F-13

FRONT BRAKE PANEL

H 2



Ref. No.	L.O.N.	(Relative ref. Number) Description	F.R.T.
1	711115	SHOE(PAD) SET, BRAKE :FRONT ..	0.4
5		(14)	
7	7101C3	GEAR, SPEEDOMETER	0.3
7		(9)	
	7111D0	PANEL, FRONT BRAKE	0.4
11	7111C3	ARM, BRAKE :FRONT	0.3

KRH7F1300

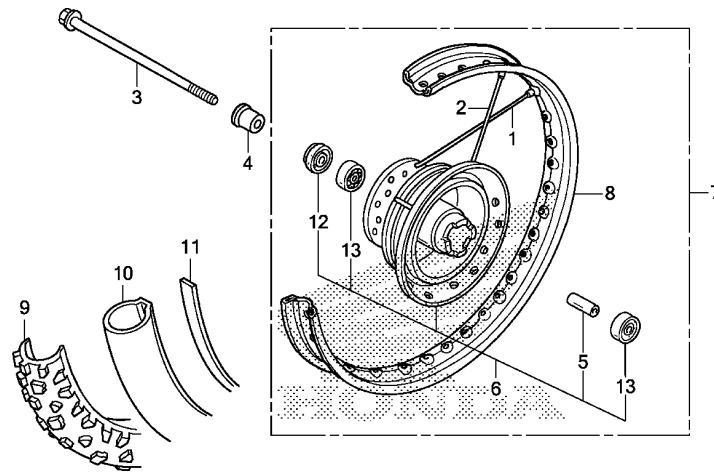
3

Ref. No.	Part No.	Description	Reqd. QTY			Serial No.	Parts catalogue code
			XR 125 LEK E	XL 125 LEK E	XR 150 LEK E		
1	06430-KRF-B80	SHOE SET, BRAKE(JB)	-	1	-		
	06450-KGA-B90	SHOE SET, BRAKE(JB NH FE) ...	-	1	-		
2	43142-KAS-890	SEAT, RR. BRAKE CAM	-	1	-		
		(FR.)	-	1	-		
3	43151-329-000	SPRING, BRAKE SHOE	-	2	-		
	43151-KCW-870	-	2	-		
4	44302-KTT-950	CAP, AXLE NUT	-	1	-		
5	44806-KRH-780	GEAR, SPEEDOMETER(23T)	-	1	-		
6	44808-107-720	WASHER, SPEEDOMETER GEAR	-	1	-		
7	45010-KRH-780ZA	PANEL SUB COMP., FR. BRAKE *NH364M*SHEEN SILVER METALLIC	-	1	-		
8	45134-KB7-005	DUST SEAL, BRAKE CAM(NOK) ...	-	2	-		
9	45141-KRH-780	CAM, FR. BRAKE	-	1	-		
10	45145-437-970	INDICATOR, FR. BRAKE	-	1	-		
11	45410-KRH-781	ARM, FR. BRAKE	-	1	-		
12	45435-KCW-870	SPRING, BRAKE ARM	-	1	-		
13	90306-KYA-601	NUT, FLANGE, 12MM(PT)	-	1	-		
14	91251-GK4-003	OIL SEAL, 47X60X7(ARAI)	-	1	-		
15	94050-06080	NUT, FLANGE, 6MM	-	1	-		
16	95701-06035-00	BOLT, FLANGE, 6X35	-	1	-		

F-14-10

FRONT WHEEL(XL125LEK)

H 3



FR.

KRH7F1410

Ref. No.	L.O.N.	(Relative ref. Number) Description	F.R.T.
3		(12)	
710151		AXLE, FRONT WHEEL	0.3
6		(1,2)	
710103		HUB, FRONT WHEEL	2.2
7101D4		FRONT WHEEL	0.9
710109		RIM, WHEEL :FRONT	2.1
9		(11)	
710139		FRONT TIRE(ONE)	0.9
10		(11)	
710140		TUBE, FRONT TIRE(ONE)	0.9
710115		BEARING, FRONT WHEEL(ONE)	0.5
710115G		.Replace 1 bearing add	0.1

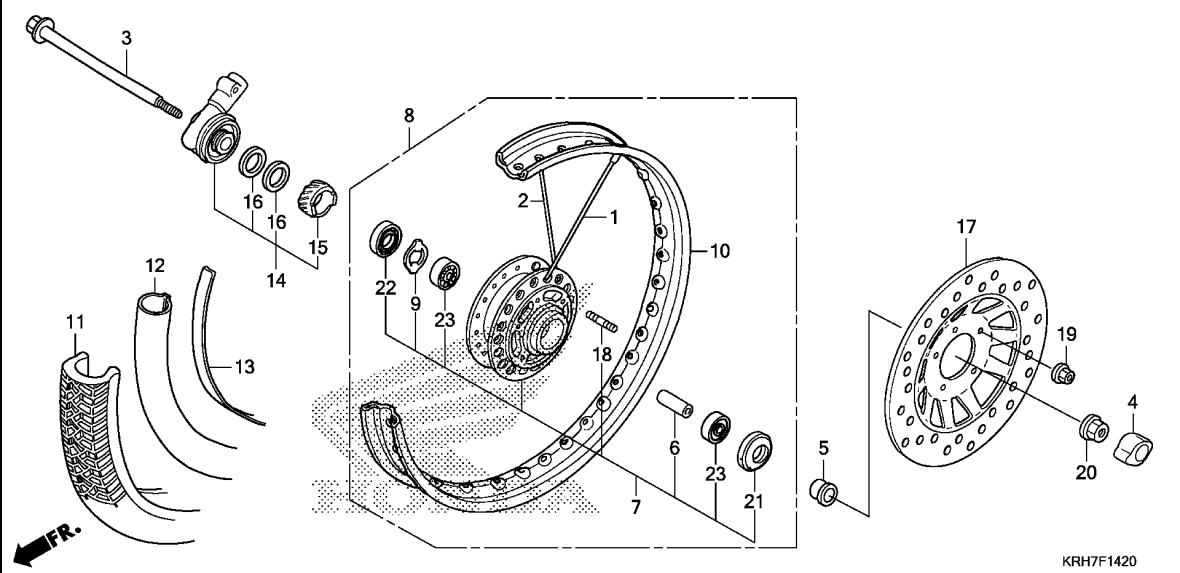
Ref. No.	Part No.	Description	Reqd. QTY			Serial No.	Parts catalogue code
			XR 125 LEK E	XL 125 LEK E	XR 150 LEK E		
1	06441-KRH-780	SPOKE SET A, FR.(A10X224) ... (R. SIDE)	-	18	-		
2	06442-KRH-780	SPOKE SET B, FR.(A10X204) ... (L. SIDE)	-	18	-		
3	44301-KRH-900	AXLE, FR. WHEEL	-	1	-		
4	44311-KTJ-900	COLLAR, FR. WHEEL SIDE	-	1	-		
5	44620-KRH-780	COLLAR, FR. AXLE DISTANCE ...	-	1	-		
6	44635-KRH-780ZA	HUB SUB ASSY., FR. *NH364M*SHEEN SILVER METALLIC	-	1	-		
7	44650-KRH-780ZA	WHEEL SUB ASSY., FR. *NH364M*SHEEN SILVER METALLIC	-	1	-		
8	44701-KRH-780	RIM, FR. WHEEL(1.40X21)	-	1	-		
9	44711-KRH-781	TIRE, FR.(CHENG SHIN) (70/100-21 M/C 44P)	-	1	-		
10	44712-KRH-781	TUBE, TIRE(CHENG SHIN) (70/100-21)	-	1	-		
11	44713-KRH-781	FLAP, TIRE(CHENG SHIN)	-	1	-		
12	91251-KYY-900	DUST SEAL, 21X37X7	-	1	-		
13	96140-63010-10	BEARING, RADIAL BALL, 6301U ..	-	2	-		

3

F-14-20

FRONT WHEEL(XR125LEK/XR150LEK)

H 4



Ref. No.	L.O.N.	(Relative ref. Number) Description	F.R.T.
3		(21,22)	
710151		AXLE, FRONT WHEEL	0.3
7		(1,2)	
7101J7		HUB, FRONT WHEEL(A)	2.3
8		FRONT WHEEL(A)	1.0
7101G2			
10		7101J1 RIM, WHEEL(A) :FRONT	2.2
11		(13)	
710139		FRONT TIRE(ONE)	0.9
12		(13)	
710140		TUBE, FRONT TIRE(ONE)	0.9
14		710145 GEARBOX ASSY., SPEEDOMETER ...	0.3
17		711120 DISC, FRONT BRAKE	0.4
23		710115 BEARING, FRONT WHEEL(ONE)	0.5
710115G		.Replace 1 bearing add	0.1

KRH7F1420

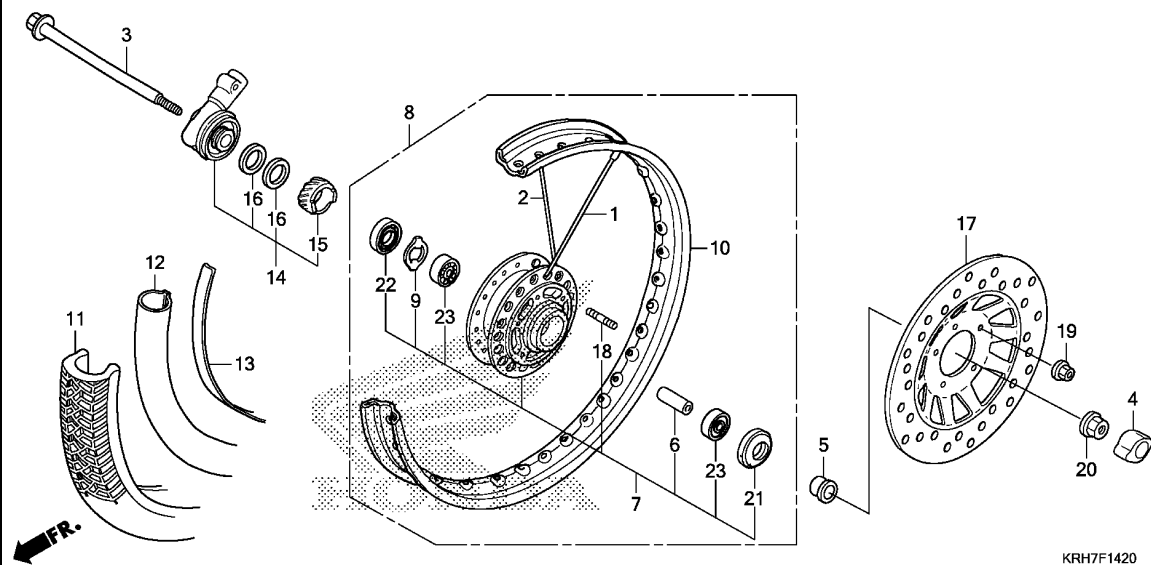
3

Ref. No.	Part No.	Description	Reqd. QTY			Serial No.	Parts catalogue code
			XR 125 LEK E	XL 125 LEK E	XR 150 LEK E		
1	06440-KRH-900	SPOKE SET A,(10X206) (OUTSIDE)	18	-	18		
2	06441-KRH-900	SPOKE SET A,(10X206.5) (INSIDE)	18	-	18		
3	44301-KRH-900	AXLE, FR. WHEEL	1	-	1		
4	44302-KTT-950	CAP, AXLE NUT	1	-	1		
5	44312-KRH-900	COLLAR, FR. WHEEL	1	-	1		
6	44620-KRH-900	COLLAR, FR. AXLE DISTANCE ...	1	-	1		
7	44635-KRH-900	HUB SUB ASSY., FR.	1	-	1		
8	44650-KRH-900	WHEEL SUB ASSY., FR.	1	-	1		
9	44680-KRH-900	RETAINER, GEAR BOX	1	-	1		
10	44701-KRH-900	RIM, FR. WHEEL	1	-	1		
11	44711-KRH-901	TIRE, FR.(CHENG SHIN) (90/90-19 M/C 52P)	1	-	1		
12	44712-KRH-901	TUBE, TIRE(CHENG SHIN)	1	-	1		
13	44713-KRH-901	FLAP, TIRE(CHENG SHIN)	1	-	1		
14	44800-KRH-901	BOX ASSY., SPEEDOMETER GEAR	1	-	1		
15	44806-KRH-901	GEAR, SPEEDOMETER(20T)	1	-	1		
16	44808-KRH-901	WASHER, GEAR	2	-	2		
17	45351-KRH-900	DISK, L. FR. BRAKE	1	-	1		
18	90128-KGA-B90	BOLT, STUD, 2, 6X16	5	-	5		
19	90302-KYA-601	NUT, FLANGE, 6MM(PT)	5	-	5		
20	90306-KYA-601	NUT, FLANGE, 12MM(PT)	1	-	1		
21	90755-229-003	OIL SEAL, 21X37X7(ARAI)	1	-	1		

F-14-20

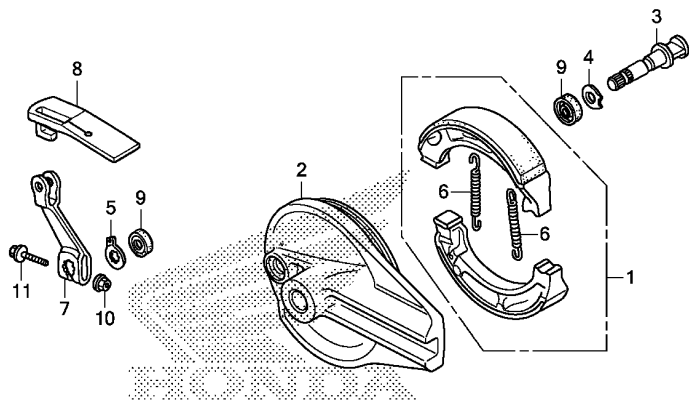
FRONT WHEEL(XR125LEK/XR150LEK)

H 5



Ref. No.	Part No.	Description	Reqd. QTY			Serial No.	Parts catalogue code
			XR 125 LEK E	XL 125 LEK E	XR 150 LEK E		
21)	90755-229-005	OIL SEAL, 21X37X7 (NOK)	1	-	1		
	90755-KRH-900	OIL SEAL, 21X37X7	1	-	1		
22	91258-410-006	DUST SEAL, 40X50X5 (NOK)	1	-	1		
	91258-410-013	DUST SEAL, 40X50X5 (ARAI)	1	-	1		
	91258-MCG-901	DUST SEAL, 40X50X5 (SABO)	1	-	1		
	91258-MCG-902	DUST SEAL, 40X50X5 (NOK)	1	-	1		
23	96140-63010-10	BEARING, RADIAL BALL, 6301U	2	-	2		

3



KRH7F1800

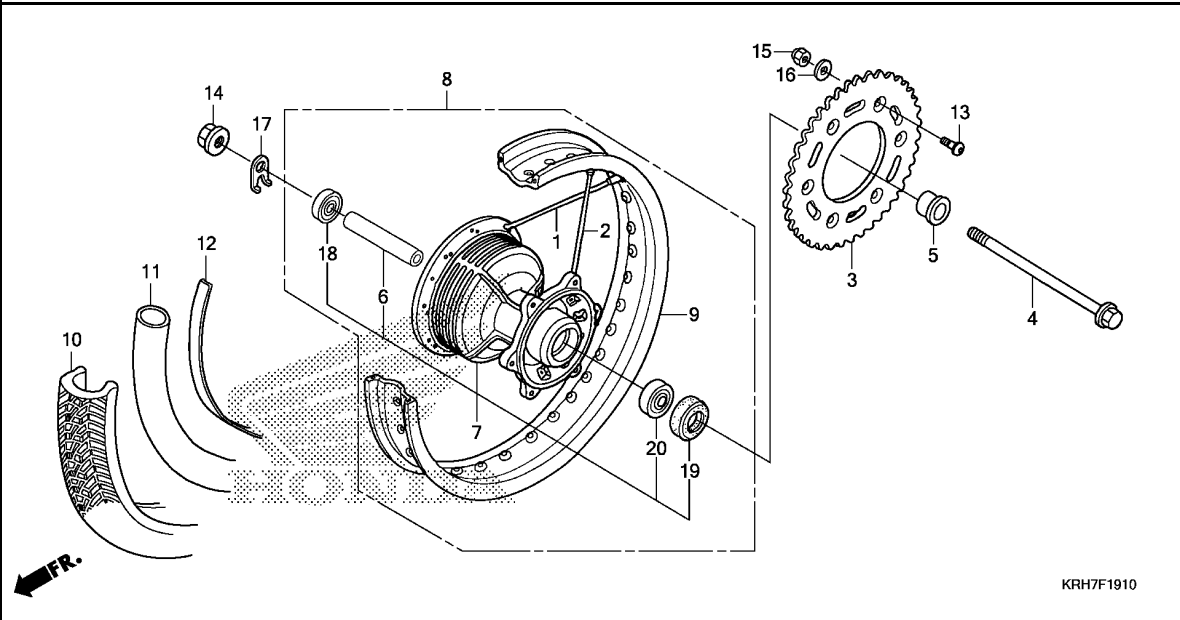
Ref. No.	L.O.N.	(Relative ref. Number) Description	F.R.T.
1	711140	SHOE(PAD) SET, BRAKE :REAR ... (3)	0.4
2	7111A9	PANEL, REAR BRAKE	0.5
7	7111C4	ARM, BRAKE :REAR	0.2

3

Ref. No.	Part No.	Description	Reqd. QTY			Serial No.	Parts catalogue code
			XR 125 LEK E	XL 125 LEK E	XR 150 LEK E		
1	06430-GBJ-J10	SHOE SET, BRAKE(ASK)	1	1	1		
	06430-GCE-900	SHOE SET, BRAKE(NK)	1	1	1		
2	43100-KRH-900ZA	PANEL COMP., RR. BRAKE *NH364M*SHEEN SILVER METALLIC	1	1	1		
3	43141-KRH-900	CAM, RR. BRAKE	1	1	1		
4	43142-KRH-900	SEAT, RR. BRAKE CAM	1	1	1		
5	43145-KRH-900	INDICATOR, RR. BRAKE	1	1	1		
6	43151-110-000	SPRING, BRAKE SHOE	2	2	2		
7	43410-KRH-900	ARM, RR. BRAKE	1	1	1		
8	43411-KHA-940	COVER, RR. BRAKE ARM	1	1	1		
9	45134-KB7-005	DUST SEAL, BRAKE CAM(NOK) ...	2	2	2		
10	90302-KYA-601	NUT, FLANGE, 6MM(PT)	1	1	1		
11	95701-08035-00	BOLT, FLANGE, 8X35	1	1	1		

F-19-10

REAR WHEEL



Ref. No.	L.O.N.	(Relative ref. Number) Description	F.R.T.
3	7101A0	SPROCKET, FINAL DRIVEN (19)	0.4
4	710160	AXLE, REAR WHEEL (1,2)	0.3
7	710121	HUB, REAR WHEEL	2.3
8	710118	REAR WHEEL	1.0
9	710127	RIM, WHEEL :REAR (12)	2.2
10	710142	REAR TIRE(ONE) (12)	0.9
11	7101A7	TUBE, REAR TIRE(ONE) (20)	0.9
18	710133	BEARING, REAR WHEEL(ONE)	0.5
	710133G	.Replace 1 bearing add	0.1

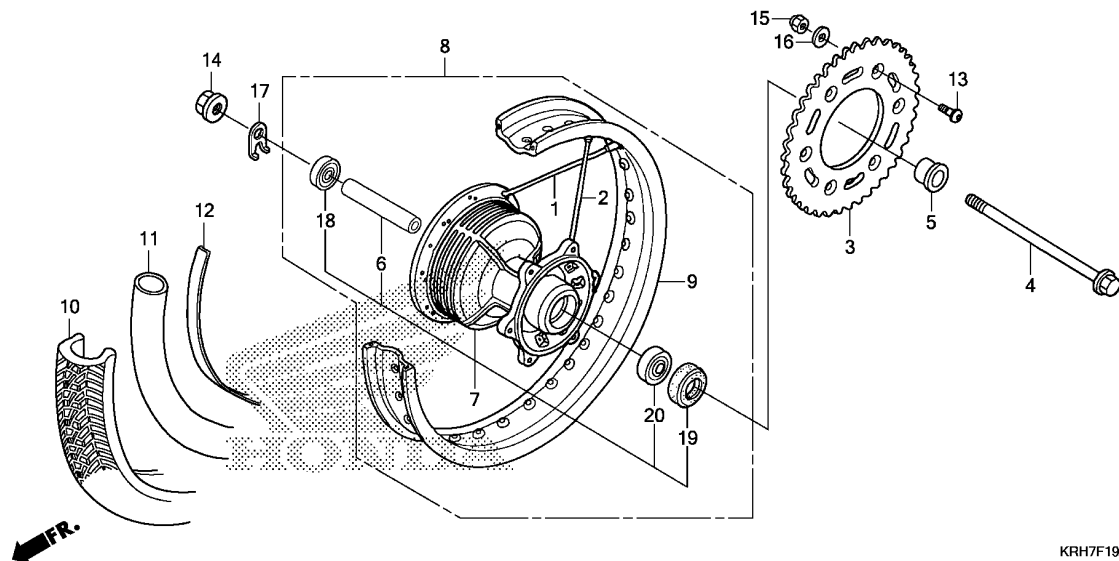
Ref. No.	Part No.	Description	Reqd. QTY			Serial No.	Parts catalogue code
			XR 125 LEK E	XL 125 LEK E	XR 150 LEK E		
1	06420-KRH-900	SPOKE SET A, RR.(A10X166) (R. SIDE)	18	-	18		
	06420-KRH-780	SPOKE SET A, RR.(A10X175) (R. SIDE)	-	18	-		
2	06421-KRH-900	SPOKE SET B, RR.(A10X184) (L. SIDE)	18	-	18		
	06421-KRH-780	SPOKE SET B, RR.(A10X193) (L. SIDE)	-	18	-		
3	41201-KRH-780	SPROCKET, FINAL DRIVEN(51T)	1	1	-		
	41201-KRH-650	SPROCKET, FINAL DRIVEN(49T)	-	-	1		
4	42301-KRH-900	AXLE, RR. WHEEL	1	1	1		
5	42312-KRH-900	COLLAR, RR. WHEEL	1	1	1		
6	42620-KRH-900	COLLAR, RR. AXLE DISTANCE	1	1	1		
7	42635-KRH-780ZA	HUB SUB ASSY., RR.	1	1	-		
	42635-KRH-650ZA	*NH364M*SHEEN SILVER METALLIC	-	-	1		
8	42650-KRH-A00ZA	WHEEL SUB ASSY., RR.	1	-	-		
	42650-KRH-780ZA	*NH364M*SHEEN SILVER METALLIC	-	1	-		
	42650-KRH-650ZA	*NH364M*SHEEN SILVER METALLIC	-	-	1		
9	42701-KRH-900	RIM, RR. WHEEL(2.15X17)	1	-	1		
	42701-KRH-780	RIM, RR. WHEEL(2.15X18)	-	1	-		
10	42711-KRH-901	TIRE, RR.(CHENG SHIN)	1	-	1		
		(110/90-17 M/C 60P)					
	42711-KRH-781	TIRE, RR.(CHENG SHIN)	-	1	-		
		(100/90-18 M/C 56P)					



F-19-10

REAR WHEEL

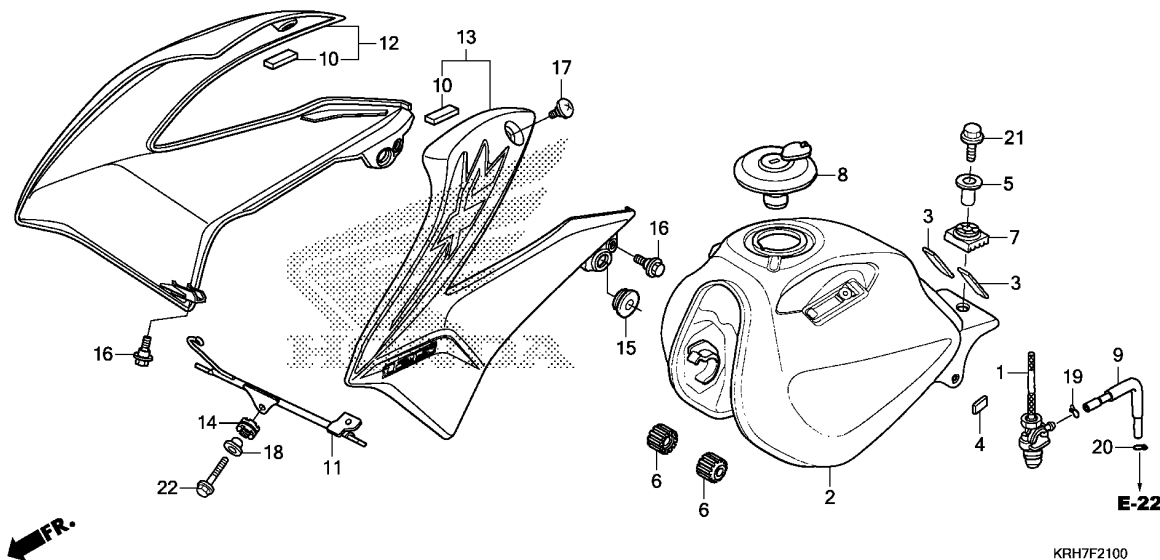
H 8



KRH7F1910

3

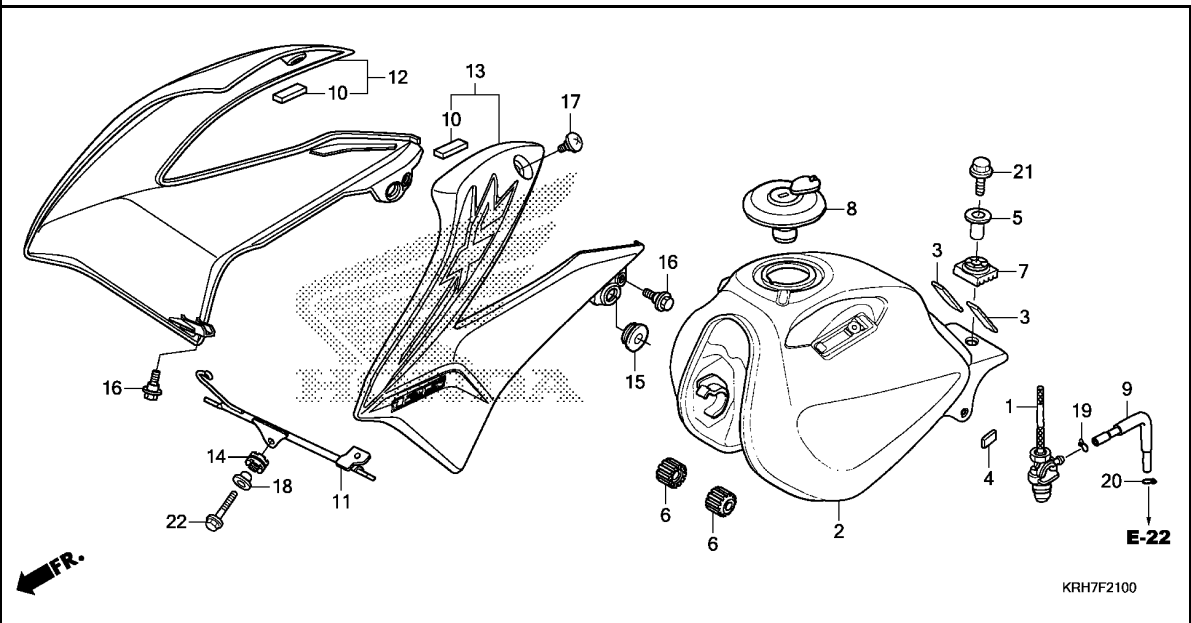
Ref. No.	Part No.	Description	Reqd. QTY			Serial No.	Parts catalogue code
			XR 125 LEK E	XL 125 LEK E	XR 150 LEK E		
11	42712-KRH-901	TUBE, TIRE(CHENG SHIN)	1	-	1		
	42712-KRH-781	TUBE, TIRE(CHENG SHIN) (100/90-18)	-	1	-		
12	42713-KRH-901	FLAP, TIRE(CHENG SHIN)	1	-	1		
	42713-KRH-781	-	1	-		
13	90125-KZJ-900	BOLT, SPROCKET FIXING	6	6	6		
14	90307-KRH-901	NUT, FLANGE, 16MM	1	1	1		
15	90309-KFO-003	NUT, FLANGE, 8MM	6	6	6		
	90309-KRH-901	NUT, U, 8MM	6	6	6		
16	90511-KRH-780	WASHER, 8MM	6	6	6		
17	90559-KRH-900	WASHER, RR. AXLE	1	1	1		
18	91053-MAY-003	BEARING, RADIAL BALL, 6203UU	1	1	1		
19	91253-033-003	OIL SEAL, 25X47X6.5	1	1	1		
20	96140-63030-10	BEARING, RADIAL BALL, 6303U	1	1	-		
	91051-KPS-732	BEARING, BALL RADIAL, 6303U (NSK)	-	-	1		



Ref. No.	L.O.N.	(Relative ref. Number) Description	F.R.T.
1	310110	COCK ASSY., FUEL	0.3
2	310100	TANK, FUEL	0.4
12	1151A0	SHROUD, RADIATOR :RIGHT	0.1
13	115126	SHROUD, RADIATOR :LEFT	0.1
	1151A5	SHROUD, RADIATOR :BOTH	0.1

Ref. No.	Part No.	Description	Reqd. QTY			Serial No.	Parts catalogue code
			XR 125 LEK E	XL 125 LEK E	XR 150 LEK E		
1	16950-KRH-901	COCK ASSY., FUEL	1	1	1		
2	17510-KRH-900ZA	TANK COMP., FUEL *NH1*.....BLACK	1	1	1		
3	17517-KPF-900	RUBBER A, FUEL TANK	2	2	2		
4	17518-KRE-900	RUBBER	2	2	2		
5	17526-KRH-900	COLLAR, FUEL TANK MOUNTING ..	1	1	1		
6	17611-KRH-900	CUSHION, FUEL TANK FR.	2	2	2		
7	17613-KRH-900	CUSHION, FUEL TANK RR.	1	1	1		
8	17620-KRH-901	CAP COMP., FUEL FILLER	1	1	1		
9	17681-KRH-780	TUBE, FUEL	1	1	1		
10	19032-KRH-660	CUSHION A	2	2	2		
11	19040-KRH-660	JOINT, SHROUD	1	1	1		
12	19100-KRH-620ZB	SHROUD SET, R. TANK(WL)	1	-	-	----- 3LA,DK	
	19100-KRH-620ZA	*TYPE2*.....	1	-	-		
	19100-KRH-620ZC	*TYPE3*.....	1	-	-		
	19100-KRH-640ZA	*TYPE1*.....	-	1	-		
	19100-KRH-640ZB	*TYPE2*.....	-	1	-		
	19100-KRH-660ZB	*TYPE1*.....	-	-	1	----- 1LA,3LA,DK,NZ	
	19100-KRH-660ZA	*TYPE2*.....	-	-	1		
	19100-KRH-660ZC	*TYPE3*.....	-	-	1		
13	19200-KRH-620ZB	SHROUD SET, L. TANK(WL)	1	-	-	----- 3LA,DK	
	19200-KRH-620ZA	*TYPE2*.....	1	-	-		
	19200-KRH-620ZC	*TYPE3*.....	1	-	-		
	19200-KRH-640ZA	*TYPE1*.....	-	1	-		





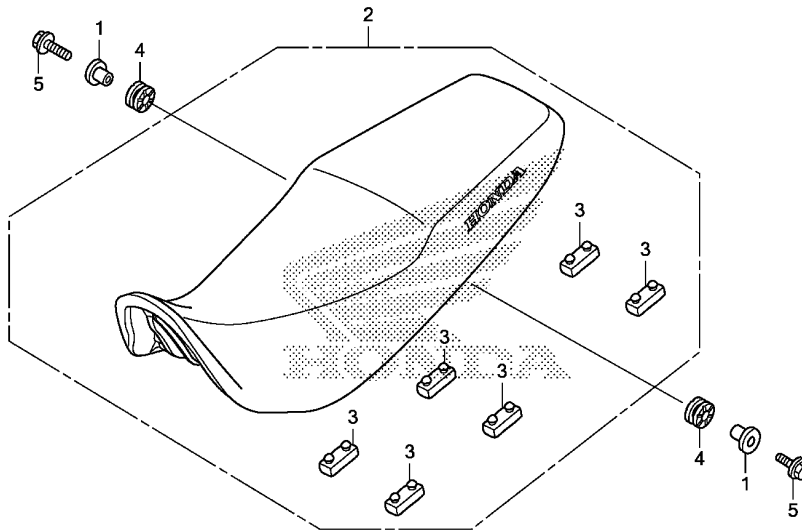
Ref. No.	Part No.	Description	Reqd. QTY			Serial No.	Parts catalogue code
			XR 125 LEK E	XL 125 LEK E	XR 150 LEK E		

13)	19200-KRH-640ZB	SHROUD SET, L. TANK(WL)	-	1	-		
		TYPE1	-	1	-		
	19200-KRH-660ZB	*TYPE2*	-	1	-	-----	1LA,3LA,DK,NZ
	19200-KRH-660ZA	*TYPE3*	-	1	-		
	19200-KRH-660ZC	*TYPE1*	-	1	-		
14	37101-KRH-900	RUBBER, SPEEDOMETER	1	1	1		
15	83551-KRH-D20	GROMMET, SIDE COVER	2	2	2		
16	90116-KRH-900	BOLT, FLANGE, 6MM	4	4	4		
17	90381-KRH-900	SCREW, SPECIAL, 6X8	2	2	2		
18	90509-KRH-900	COLLAR, SIDE MOUNTING	1	1	1		
19	90651-KRM-R20	CLIP C9, TUBE	1	1	1		
20	95002-02080	CLIP, TUBE(B8)	1	1	1		
21	95701-08032-00	BOLT, FLANGE, 8X32	1	1	1		
22	96001-06018-00	BOLT, FLANGE, 6X18	1	1	1		

F-23

SEAT

H11

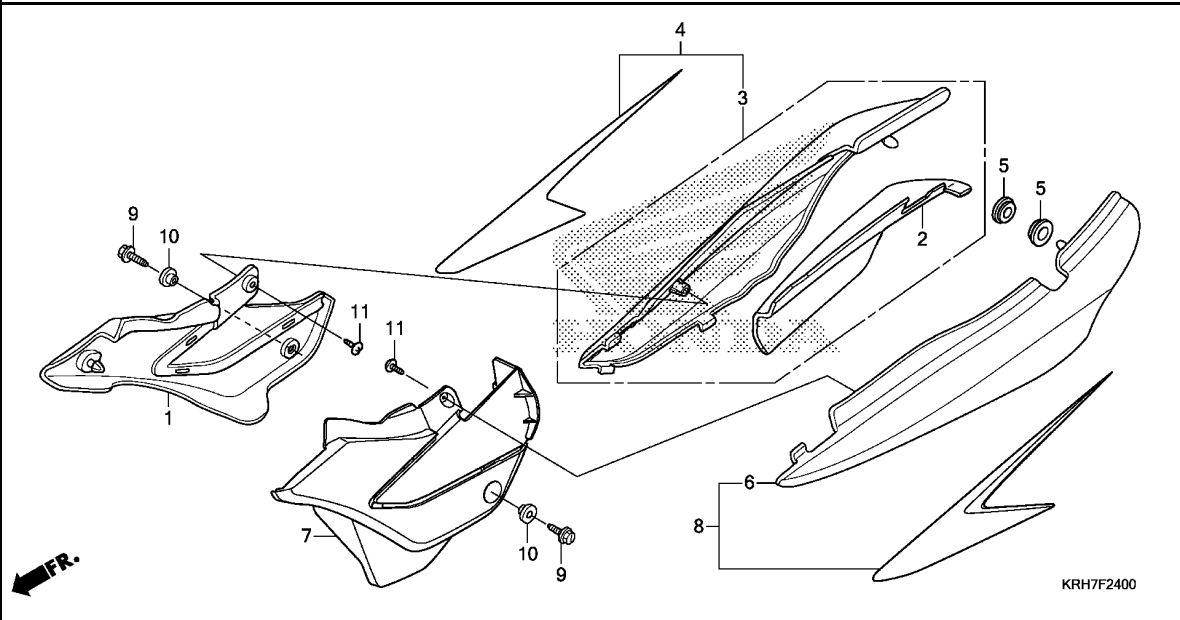


KRH7F2300

Ref. No.	L.O.N.	(Relative ref. Number) Description	F.R.T.
2	4131E4	SEAT :DOUBLE	0.1

Ref. No.	Part No.	Description	Reqd. QTY			Serial No.	Parts catalogue code
			XR 125 LEK E	XL 125 LEK E	XR 150 LEK E		
1	77103-KRH-900	COLLAR, SEAT SETTING	2	2	2		
2	77200-KRH-780ZB	SEAT COMP., DOUBLE *TYPE1*.....	1	1	1		
3	77205-286-000	RUBBER B, SEAT SETTING	6	6	6		
4	80112-KRH-D20	CUSHION, TAILLIGHT	2	2	2		
5	95701-06025-00	BOLT, FLANGE, 6X25	2	2	2		

3



Ref. No.	L.O.N.	(Relative ref. Number) Description	F.R.T.
1	(3,4)	COVER, SIDE :RIGHT	0.1
7	(6,8)	COVER, SIDE :LEFT	0.1
		COVER, SIDE :BOTH	0.1

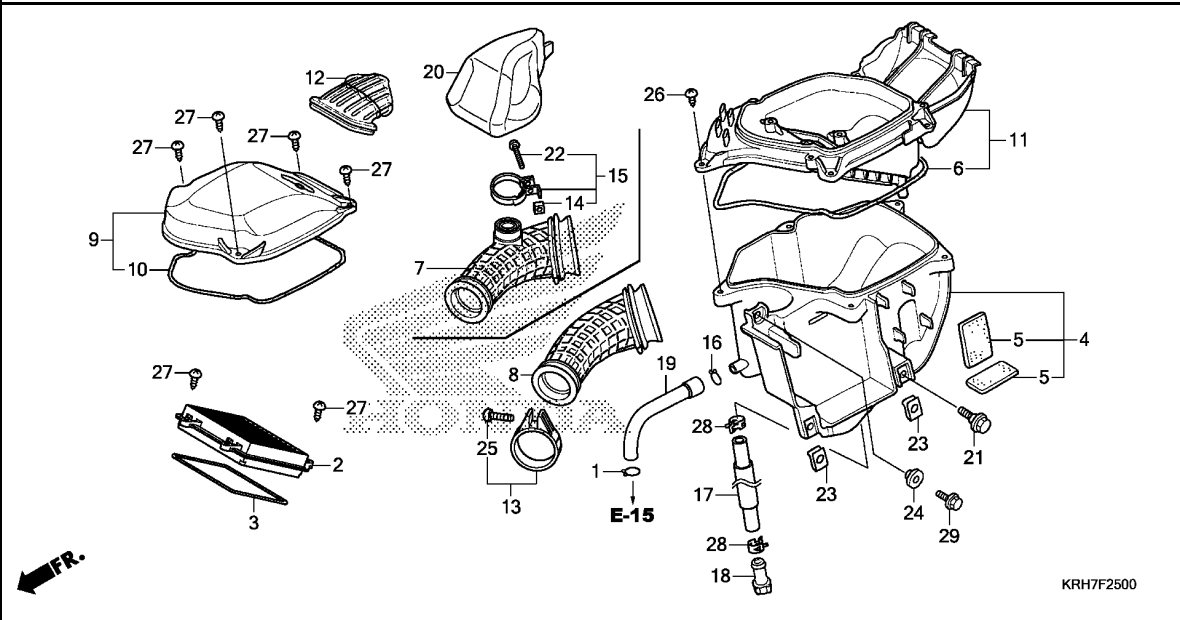


Ref. No.	Part No.	Description	Reqd. QTY			Serial No.	Parts catalogue code
			XR 125 LEK E	XL 125 LEK E	XR 150 LEK E		
1	83501-KRH-900ZA	COVER, R. FR. SIDE *NH1*.....BLACK	1	1	1		
2	83503-KRE-900	GUARD, SIDE COWL HEAT	1	1	1		
3	83510-KRH-900ZB	COVER SET, R. SIDE *NH196*.....ROSS WHITE	1	1	-		
4	83550-KRH-660ZA	COVER SET, R. SIDE(WL) *TYPE1*.....	-	-	1		
5	83551-376-000	GROMMET, SIDE COVER	2	2	2		
6	83600-KRH-900ZB	COVER, L. SIDE *NH196*.....ROSS WHITE	1	1	-		
7	83601-KRH-900ZA	COVER, L. FR. SIDE *NH1*.....BLACK	1	1	1		
8	83650-KRH-660ZA	COVER SET, L. SIDE(WL) *TYPE1*.....	-	-	1		
9	90112-KRH-900	BOLT, SPECIAL, 6X14	2	2	2		
10	90522-KRH-900	WASHER, CHAIN CASE	2	2	2		
11	93913-24120	SCREW, TAPPING, 4X10	2	2	2		

F-25

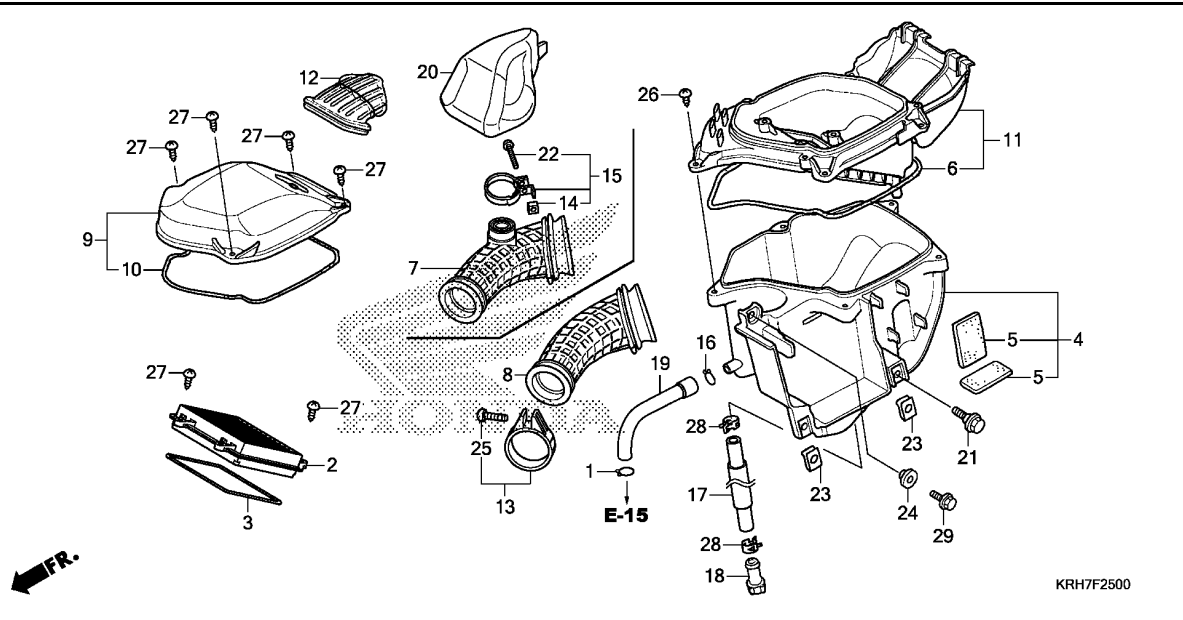
AIR CLEANER

H13



Ref. No.	L.O.N.	(Relative ref. Number) Description	F.R.T.
2		(3) ELEMENT, AIR CLEANER	0.2
4		3121A5 CASE, AIR CLEANER	0.8
8		(7) TUBE, AIR CLEANER CONNECTING ..	0.4
9		3121B6 (12) COVER, AIR CLEANER CASE	0.2
11		3121D0 CASE, AIR CLEANER :MIDDLE	0.5
20		3121C1 RESONATOR	0.1

Ref. No.	Part No.	Description	Reqd. QTY			Serial No.	Parts catalogue code
			XR 125 LEK E	XL 125 LEK E	XR 150 LEK E		
1	15772-KVC-900	CLIP, TUBE	1	1	1		
2	17211-KRH-780	ELEMENT COMP., AIR CLEANER ..	1	1	1		
3	17214-KRH-780	SEAL, SEPARATOR	1	1	1		
4	17215-KRH-900	CASE SUB ASSY., AIR CLEANER ..	1	1	1		
5	17217-KRH-900	SPACER B, BATTERY	2	2	2		
6	17219-KRE-900	SEAL, AIR CLEANER	1	1	1		
7	17222-KRH-650	TUBE, AIR CLEANER CONNECTING	-	-	1		
8	17222-KRH-780	TUBE, AIR CLEANER CONNECTING	1	1	-		
9	17225-KRH-A00	COVER SUB ASSY., AIR CLEANER	1	1	1		
10	17229-KRE-900	SEAL, AIR CLEANER(DIRTY)	1	1	1		
11	17235-KRH-780	SEPARATOR SUB ASSY., AIR CLEANER	1	1	1		
12	17240-KRH-900	DUCT, INLET	1	1	-		
	17240-KRE-900	-	-	1		
13	17254-KRH-900	BAND, AIR CLEANER CONNECTING TUBE(44)	1	1	-		
	17256-K01-900	-	-	1		
14	17255-KRM-860	NUT, SQUARE, 5MM	-	-	1		
15	17256-KRH-650	BAND, AIR CLEANER CONNECTING TUBE(28.5MM)	-	-	1		
16	17316-KRH-900	CLIP, BREATHER TUBE	1	1	1		
17	17363-KRH-650	TUBE, BREATHER DRAIN	1	1	1		
18	17370-419-700	PLUG, BREATHER TUBE	1	1	1		
19	17373-KRE-850	TUBE, BREATHER	1	1	1		
20	17410-KRE-B00	RESONATOR	-	-	1		



KRH7F2500

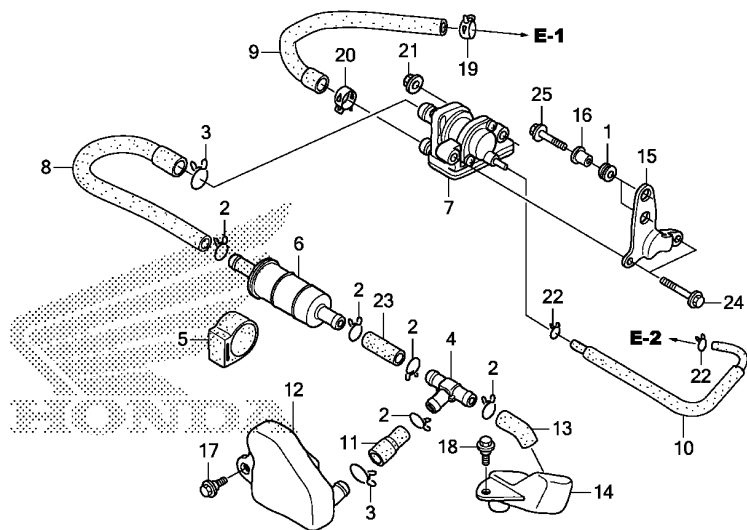
3

Ref. No.	Part No.	Description	Reqd. QTY			Serial No.	Parts catalogue code
			XR 125 LEK E	XL 125 LEK E	XR 150 LEK E		
21	90115-KRH-900	BOLT, FLANGE, 6MM	1	1	1		
22	90227-GHR-690	SCREW, PAN, 5X22	-	-	1		
23	90311-KRH-900	NUT, CLIP, 6MM	2	2	2		
24	90522-KRH-900	WASHER, CHAIN CASE	1	1	1		
25	93500-05028-0G	SCREW, PAN, 5X28	1	1	-		
26	93903-25380	SCREW, TAPPING, 5X16	5	5	5		
27	93903-25510	SCREW, TAPPING, 5X25	8	8	8		
28	95002-41050-00	CLAMP, TUBE(D10.5)	2	2	2		
29	95701-06012-00	BOLT, FLANGE, 6X12	1	1	1		

F-25-20

AIR SUCTION VALVE

H15



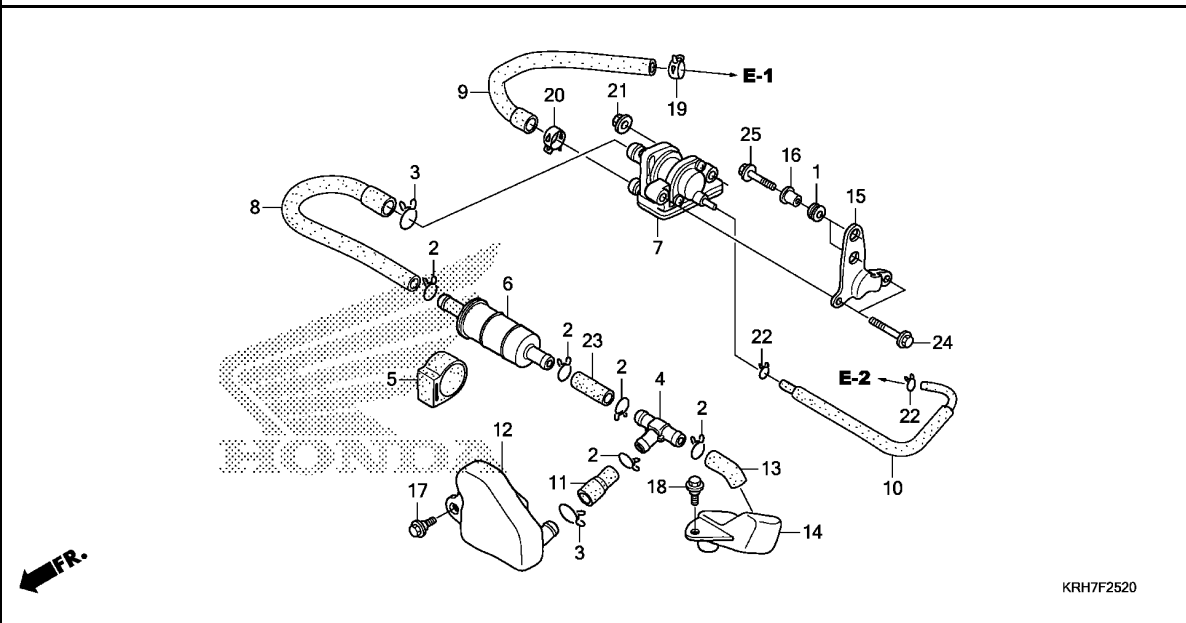
KRH7F2520

Ref. No.	L.O.N. (Relative ref. Number)	Description	F.R.T.
----------	-------------------------------	-------------	--------

7	314130	VALVE, SECONDARY AIR CONTROL	0.3
---	--------	------------------------------	-----

Ref. No.	Part No.	Description	Reqd. QTY			Serial No.	Parts catalogue code
			XR 125 LEK E	XL 125 LEK E	XR 150 LEK E		
1	11344-KRH-900	GROMMET A, RR. COVER	2	2	2		
2	15771-KV6-000	CLIP, OIL DRAIN TUBE	5	5	5		
3	15772-GW3-980	CLIP, BREATHER TUBE	2	2	2		
4	16180-KRH-901	T-JOINT	1	1	1		
5	16905-KRH-900	CUSHION, FUEL STRAINER	1	1	1		
6	17260-KRH-900	FILTER COMP., AIR	1	1	1		
7	18600-KRH-A01 18600-KRH-651	VALVE ASSY., AIR SUCTION	1	1	-		
8	18601-KRH-D20	TUBE, SUCTION	1	1	1		
9	18602-KRH-A00	TUBE, REED VALVE	1	1	1		
10	18604-KRH-A00	TUBE, AIR SUCTION VALVE CONTROL	1	1	1		
11	18605-KRH-D20	TUBE, EXCHANGE	1	1	1		
12	18610-KRH-D20	SUB TANK, RESONATOR	1	1	1		
13	18656-KRH-900	TUBE A, INNLET	1	1	1		
14	18657-KRH-D20	CASE, WATER INLET	1	1	1		
15	50543-KRH-A00	BRACKET, AIR SUCTION VALVE ..	1	1	1		
16	83119-KRH-900	COLLAR, LOCK SETTING	2	2	2		
17	90101-KRH-900	BOLT, FLANGE, 6MM	1	1	1		
18	90110-KRH-900	BOLT, FLANGE, 6MM	1	1	1		
19	90678-KRH-900	CLIP, HOSE	1	1	1		
20	91405-KRH-900	CLAMP, TUBE(D17)	1	1	1		
21	94050-06000	NUT, FLANGE, 6MM	2	2	2		
22	95002-02070	CLIP, TUBE(B7)	2	2	2		

3



KRH7F2520

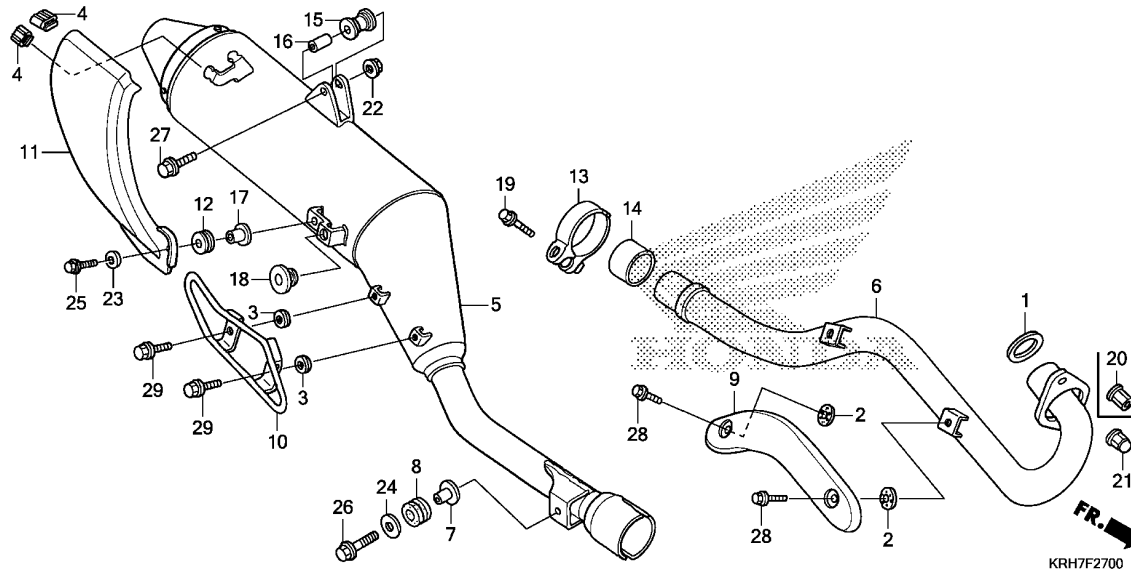
Ref. No.	Part No.	Description	Reqd. QTY			Serial No.	Parts catalogue code
			XR 125	XL 125	XR 150		

23	95005-80035-20	TUBE, 8X35 (95005-80001-20M)	1	1	1		
24	95701-06016-00	BOLT, FLANGE, 6X16	2	2	2		
25	95701-06020-00	BOLT, FLANGE, 6X20	2	2	2		

F-27

EXHAUST MUFFLER

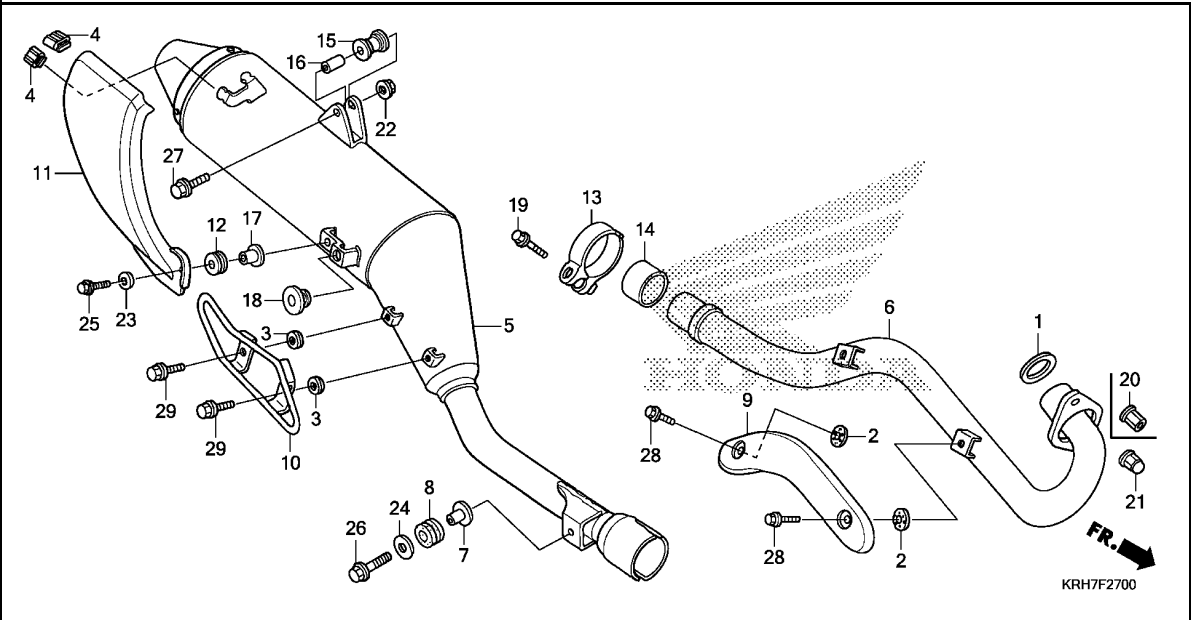
11



Ref. No.	L.O.N.	(Relative ref. Number) Description	F.R.T.
1	3131B4	GASKET, EXHAUST PIPE	0.2
5	313120	MUFFLER	0.3
6	313110	PIPE, EXHAUST	0.2
9	3131A6	PROTECTOR, EXHAUST PIPE	0.1
10	3131H1	GUARD, MUFFLER	0.1
11	313121	PROTECTOR, MUFFLER	0.1

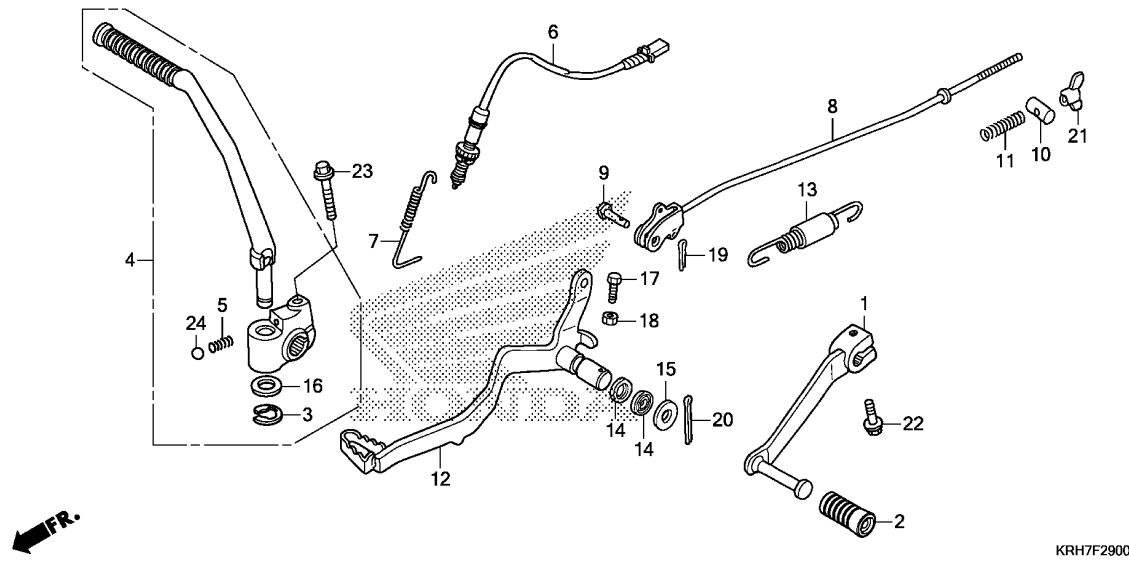
Ref. No.	Part No.	Description	Reqd. QTY			Serial No.	Parts catalogue code
			XR 125 LEK E	XL 125 LEK E	XR 150 LEK E		
1	18291-KRH-900	GASKET, EX. PIPE	1	1	1		
2	18292-KBR-000	PACKING, PROTECTOR	2	2	2		
3	18292-KPE-900	PACKING, PROTECTOR	2	2	2		
4	18293-MNO-000	RUBBER, PROTECTOR	2	2	2		
5	18305-KRH-900	MUFFLER SUB ASSY.	1	1	1		
6	18320-KRH-780	PIPE COMP., EX.	1	1	-		
	18320-KRH-650	-	-	1		
7	18327-KRH-900	COLLAR, CHAMBER RR.(8.5X15) ..	1	1	1		
8	18328-KRH-D20	RUBBER, CHAMBER RR. MOUNTING	1	1	1		
9	18345-KRH-900ZA	PROTECTOR, EX. PIPE *NH106*.....HEATPROOF BLACK	1	1	1		
10	18350-KRH-900	GUARD, MUFFLER	1	1	1		
11	18355-KRH-900	PROTECTOR COMP., MUFFLER	1	1	1		
12	18357-MCG-000	RUBBER, PROTECTOR MOUNTING ..	1	1	1		
13	18373-KRH-900	BAND, EX. PIPE	1	1	1		
14	18391-KRH-901	PACKING, MUFFLER	1	1	1		
15	18421-KFB-000	RUBBER, MUFFLER MOUNTING	1	1	1		
16	18422-KRH-900	COLLAR, MUFFLER MOUNTING	1	1	1		
17	83119-MG9-000	COLLAR, LOCK SETTING	1	1	1		
18	83512-KRH-900	RUBBER, SIDE COVER	1	1	1		
19	90117-KRH-900	BOLT, FLANGE, 8X40	1	1	1		
20	90305-KRH-650	NUT, SPECIAL, 8MM	-	-	2		
21	90305-KSP-900	NUT, EXHAUST PIPE, 8MM	2	2	-		
22	94050-08070	NUT, FLANGE, 8MM	1	1	1		

3



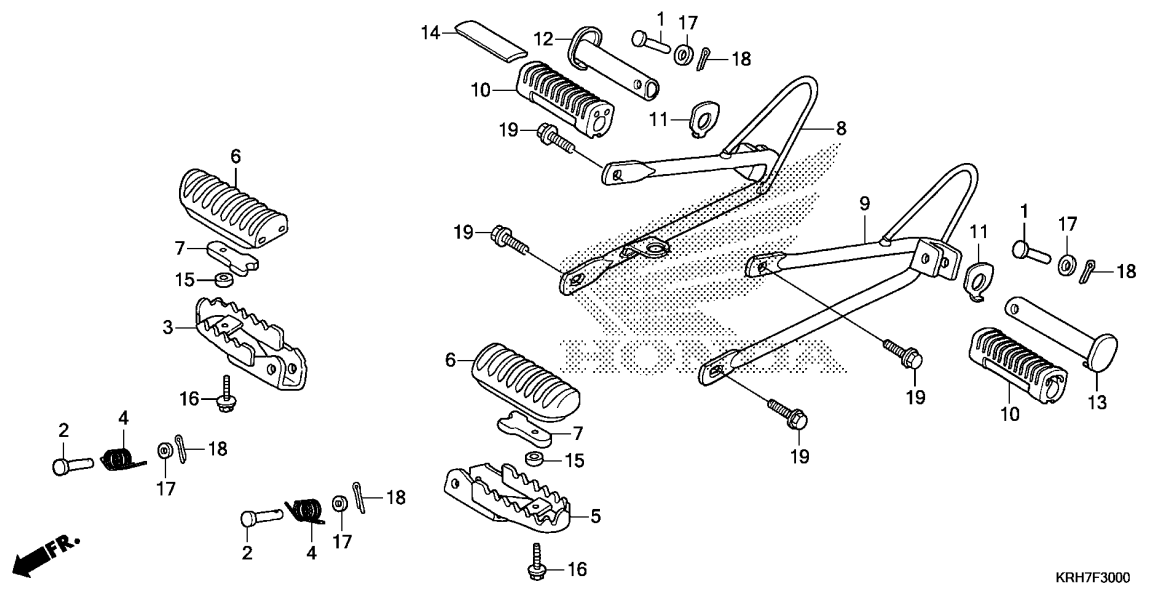
3

Ref. No.	Part No.	Description	Reqd. QTY			Serial No.	Parts catalogue code
			XR 125 LEK E	XL 125 LEK E	XR 150 LEK E		
23	94101-06800	WASHER, PLAIN, 6MM	1	1	1		
24	94103-08700	WASHER, PLAIN, 8MM	1	1	1		
25	95701-06014-00	BOLT, FLANGE, 6X14	1	1	1		
26	95701-08030-07	BOLT, FLANGE, 8X30	1	1	1		
27	95701-08045-07	BOLT, FLANGE, 8X45	1	1	1		
28	96001-06010-02	BOLT, FLANGE, 6X10	2	2	2		
29	96001-06010-07	BOLT, FLANGE, 6X10	2	2	2		



Ref. No.	L.O.N.	(Relative ref. Number) Description	F.R.T.
1	4101A1	PEDAL, GEAR CHANGE	0.1
4	112107	ARM, KICK STARTER	0.1
6	6151B5	SWITCH, REAR STOP :PEDAL SIDE	0.3
8	811135	ROD, REAR BRAKE	0.2
12	810160	PEDAL, REAR BRAKE	0.2

Ref. No.	Part No.	Description	Reqd. QTY			Serial No.	Parts catalogue code
			XR 125 LEK E	XL 125 LEK E	XR 150 LEK E		
1	24710-KRH-900	PEDAL COMP., CHANGE	1	1	1		
2	24781-KRH-900	RUBBER, CHANGE PEDAL	1	1	1		
3	28293-KRM-860	CLIP, KICK STARTER ARM	1	1	1		
4	28300-KRH-920	ARM ASSY., KICK STARTER	1	1	1		
5	28333-KK0-000	SPRING, KICK STARTER	1	1	1		
6	35350-KRH-601	SWITCH ASSY., RR. STOP	1	1	1		
7	35357-KRH-900	SPRING, STOP SWITCH	1	1	1		
8	43451-KRH-780	ROD COMP., RR. BRAKE	1	1	1		
9	43455-KRH-900	PIN C, JOINT	1	1	1		
10	43456-KRH-900	JOINT B, BRAKE ARM	1	1	1		
11	43472-KB9-750	SPRING A, BRAKE ROD	1	1	1		
12	46500-KRH-900	PEDAL COMP., BRAKE	1	1	1		
13	46513-KRH-900	SPRING SET, BRAKE PEDAL	1	1	1		
14	46525-KRH-900	DUST SEAL, 17X20X2.5	2	2	2		
15	90501-KRH-900	WASHER, BUSH	1	1	1		
16	90505-KRM-860	WASHER, 15.5X22	1	1	1		
17	92101-06020-0A	BOLT, HEX., 6X20	1	1	1		
18	94001-06200-0S	NUT, HEX., 6MM	1	1	1		
19	94201-20120	PIN, SPLIT, 2.0X12	1	1	1		
20	94201-30280	PIN, SPLIT, 3.0X28	1	1	1		
21	95015-42000	NUT B, BRAKE ROD ADJUSTING ..	1	1	1		
22	95701-06020-00	BOLT, FLANGE, 6X20	1	1	1		
23	95701-08035-00	BOLT, FLANGE, 8X35	1	1	1		
24	96211-08000	BALL, STEEL, #8(1/4)	1	1	1		

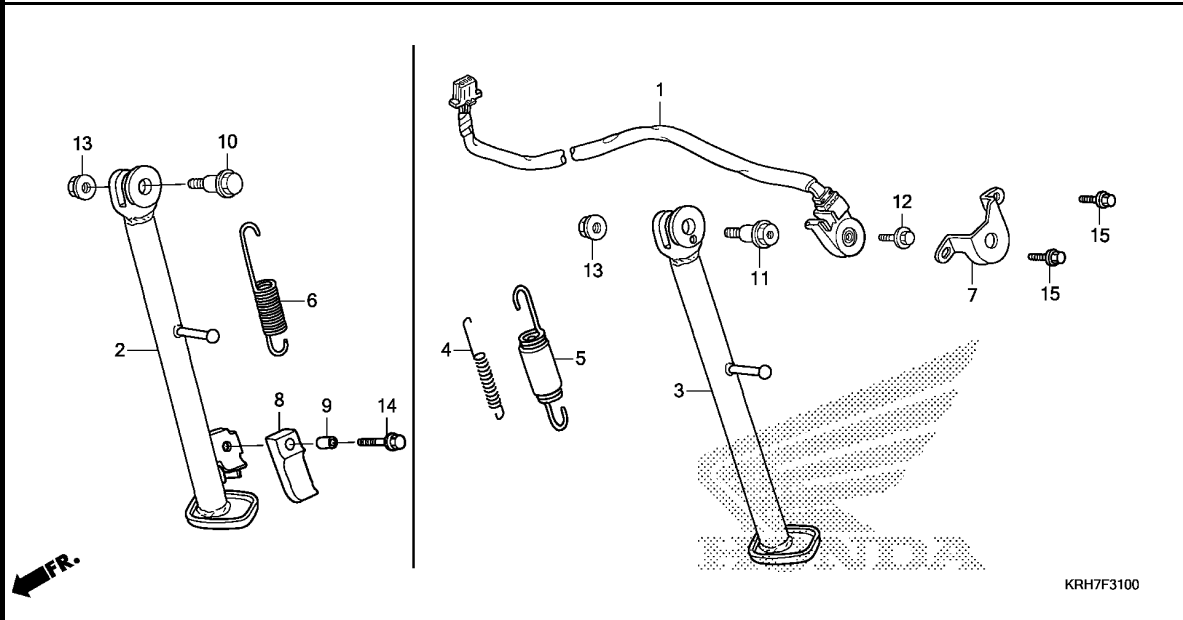


Ref. No.	L.O.N.	(Relative ref. Number) Description	F.R.T.
3	4101C6	BAR, MAIN STEP :RIGHT	0.2
5	4101C5	BAR, MAIN STEP :LEFT	0.2
	4101J1	BAR, MAIN STEP :BOTH	0.3
6	4101D3	RUBBER, STEP :LEFT	0.1
	4101D4	RUBBER, STEP :RIGHT	0.1
	4101L8	RUBBER, STEP :BOTH	0.2
8	4101D0	BRACKET, PILLION STEP :RIGHT ..	0.1
9	4101C9	BRACKET, PILLION STEP :LEFT ..	0.1
	4101K4	BRACKET, PILLION STEP :BOTH ..	0.2
12		(10)	
	4101C8	BAR, PILLION STEP :RIGHT	0.1
13		(10)	
	4101C7	BAR, PILLION STEP :LEFT	0.1
	4101P4	BAR, PILLION STEP :BOTH	0.2

KRH7F3000

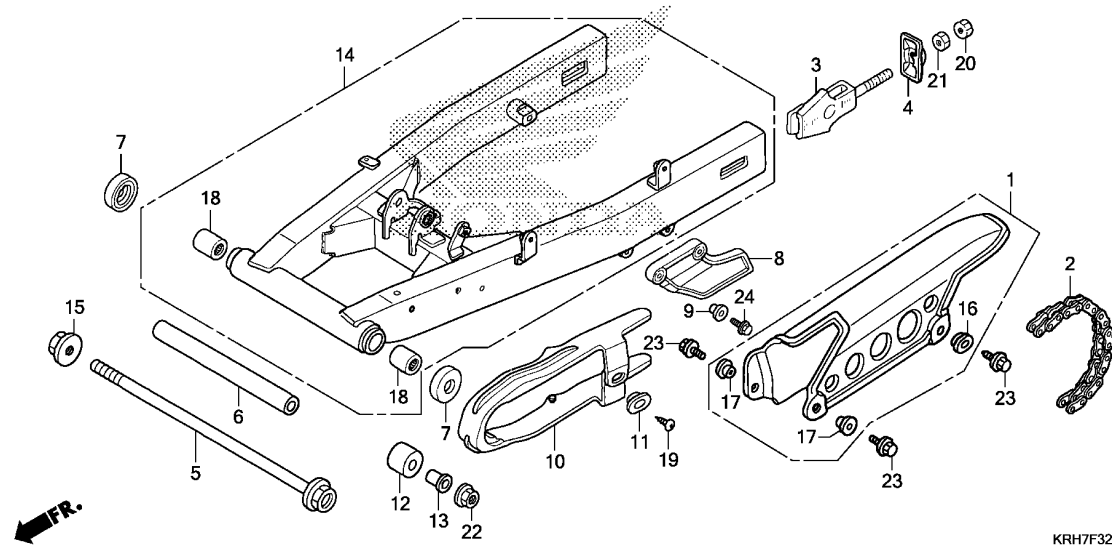
3

Ref. No.	Part No.	Description	Reqd. QTY			Serial No.	Parts catalogue code
			XR 125 LEK E	XL 125 LEK E	XR 150 LEK E		
1	50603-KEJ-900	PIN, MAIN STEP BAR JOINT (PILLION)	2	2	2		
2	50603-KRH-900	PIN, STEP BAR JOINT	2	2	2		
3	50612-KRH-900	STEP COMP., R.	1	1	1		
4	50617-KRH-900	SPRING, STEP RETURN	2	2	2		
5	50642-KRH-900	STEP COMP., L.	1	1	1		
6	50661-KRH-900	RUBBER, STEP	2	-	2		
7	50662-KRH-900	PLATE, STEP RUBBER SETTING ..	2	-	2		
8	50701-KRH-900	BRACKET COMP., R. PILLION STEP	1	1	1		
9	50706-KRH-900	BRACKET COMP., L. PILLION STEP	1	1	1		
10	50710-KGA-940	RUBBER, PILLION STEP	2	2	2		
11	50712-KRH-900	PLATE, PILLION STEP	2	2	2		
12	50713-KRH-900	BAR, R. PILLION STEP	1	1	1		
13	50714-KRH-900	BAR, L. PILLION STEP	1	1	1		
14	50715-KRH-900	WEIGHT, PILLION STEP	1	1	1		
15	52156-KRH-900	COLLAR, 6.5X4	2	-	2		
16	90112-GW3-000	BOLT, FLANGE, 6X14	2	-	2		
17	94101-08000	WASHER, PLAIN, 8MM	4	4	4		
18	94201-20150	PIN, SPLIT, 2.0X15	4	4	4		
19	95701-08018-00	BOLT, FLANGE, 8X18	4	4	4		



Ref. No.	L.O.N.	(Relative ref. Number) Description	F.R.T.
1	615195	SWITCH, SIDE STAND	0.3
3		(2)	
410180		BAR, SIDE STAND	0.2
5		(4,6)	
410182		SPRING, SIDE STAND	0.1
.NOTE: Same time for two units			

Ref. No.	Part No.	Description	Reqd. QTY			Serial No.	Parts catalogue code
			XR 125 LEK E	XL 125 LEK E	XR 150 LEK E		
1	35700-KRH-631	SWITCH ASSY., SIDE STAND	-	-	1	-----	NZ
2	50530-KRH-A00	BAR COMP., SIDE STAND	1	-	1	-----	1LA,3LA,DK,SA
	50530-KRH-780	-	1	-	-----	
3	50530-KRH-900	BAR COMP., SIDE STAND	-	-	1	-----	NZ
4	50538-KRH-900	SPRING, SIDE STAND SUB	-	-	1	-----	NZ
5	50540-KRH-900	SPRING ASSY., SIDE STAND	-	-	1	-----	NZ
6	50540-KRH-920	SPRING, SIDE STAND	1	1	1	-----	1LA,2SA,3LA,DK,SA
7	50547-KRH-900	GUARD, SIDE STAND SWITCH	-	-	1	-----	NZ
8	50548-356-700	RUBBER, STAND	1	1	1	-----	1LA,2SA,3LA,DK,SA
9	50549-356-700	COLLAR, STAND RUBBER SETTING	1	1	1	-----	1LA,2SA,3LA,DK,SA
10	90108-KRH-780	BOLT, SIDE STAND PIVOT	1	1	1	-----	1LA,2SA,3LA,DK,SA
11	90108-KRH-900	BOLT, SIDE STAND PIVOT	-	-	1	-----	NZ
12	90147-MCE-950	BOLT, SPECIAL, 6X16	-	-	1	-----	NZ
13	90203-MF9-710	NUT, SIDE STAND	1	1	1	-----	
14	95701-06025-07	BOLT, FLANGE, 6X25	1	1	1	-----	1LA,2SA,3LA,DK,SA
15	96001-06010-07	BOLT, FLANGE, 6X10	-	-	2	-----	NZ

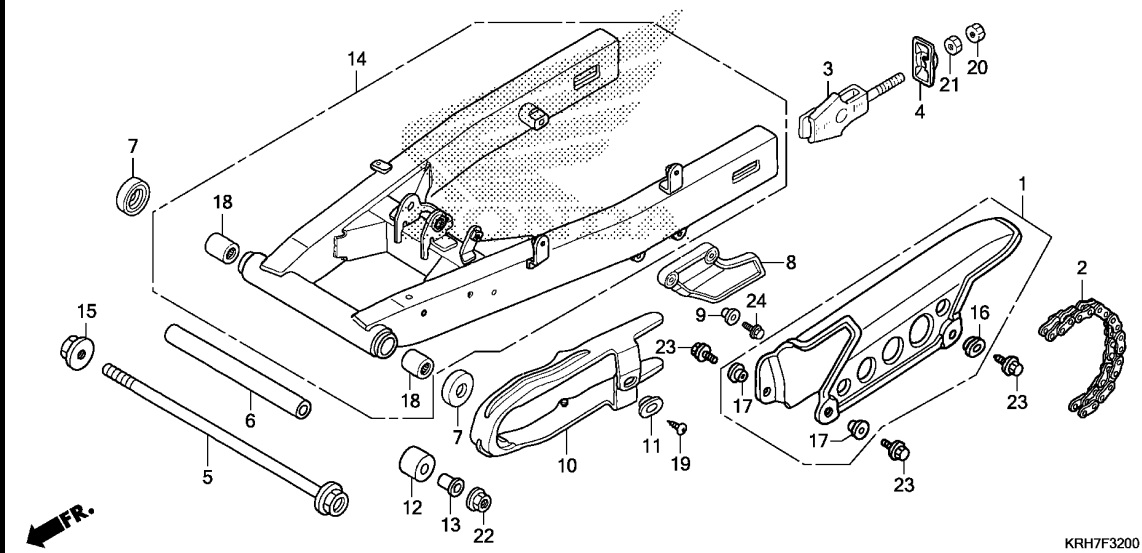


Ref. No.	L.O.N.	(Relative ref. Number) Description	F.R.T.
1	410195	CASE, DRIVE CHAIN	0.1
2	2131M1	CHAIN, DRIVE(ENDLESS)	0.6
6	5121H5	COLLAR, SWINGARM	0.7
8	4101J3	GUARD, CHAIN	0.1
10	4101E5	SLIDER, CHAIN	0.3
12	4101E4	ROLLER, CHAIN TENSIONER	0.1
14	5121B0	SWINGARM ASSEMBLY	0.9
18	5121C8	BEARING, SWINGARM PIVOT :LEFT	1.0
	5121C9	BEARING, SWINGARM PIVOT :RIGHT	1.0
	5121D0	BEARING, SWINGARM PIVOT :BOTH	1.2

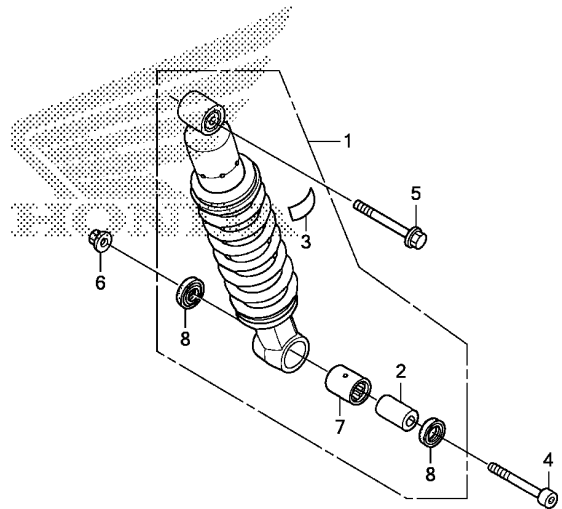
KRH7F3200

3

Ref. No.	Part No.	Description	Reqd. QTY			Serial No.	Parts catalogue code
			XR 125 LEK E	XL 125 LEK E	XR 150 LEK E		
1	40510-KRH-900	CASE, DRIVE CHAIN	1	1	1		
2	40530-KRH-781	CHAIN, DRIVE(CHOHO) (428H0-130LE)	1	1	1		
3	40543-KRH-900	ADJUSTER, CHAIN	2	2	2		
4	40546-KRH-900	CAP, RR. FORK END	2	2	2		
5	52101-KRH-900	BOLT, SWINGARM PIVOT	1	1	1		
6	52141-KRH-900	COLLAR, SWINGARM PIVOT CENTER DISTANCE	1	1	1		
7	52144-356-003	CAP, SWINGARM DUST SEAL(ARAI)	2	2	2		
	52144-356-005	CAP, SWINGARM DUST SEAL(NOK)	2	2	2		
8	52155-KRH-900	GUARD, CHAIN	1	1	1		
9	52159-KRH-900	COLLAR, CHAIN GUARD	2	2	2		
10	52170-KRH-660	SLIDER, CHAIN	1	1	1		
11	52171-KRH-900	WASHER, CHAIN SLIDER	1	1	1		
12	52175-KRE-900	ROLLER, CHAIN	1	1	1		
13	52176-KRH-900	COLLAR, CHAIN ROLLER	1	1	1		
14	52200-KRH-780ZA	SWINGARM SUB ASSY., RR. *NH411M*FORCE SILVER METALLIC	1	1	1		
15	90305-KYA-601	NUT, FLANGE, 14MM(PT)	1	1	1		
16	90505-KRH-900	WASHER, 6X9	1	1	1		
17	90512-KRH-900	WASHER, 6.5X20	2	2	2		
18	91070-GC4-601	BEARING, NEEDLE, 20X26X20(NTN)	2	2	2		
19	93901-25080	SCREW, TAPPING, 5X8	1	1	1		
20	94002-08000-0S	NUT, HEX., 8MM	2	2	2		



Ref. No.	Part No.	Description	Reqd. QTY			Serial No.	Parts catalogue code
			XR 125 LEK E	XL 125 LEK E	XR 150 LEK E		
21	94030-08000	NUT, HEX., 8MM	2	2	2		
22	94050-06000	NUT, FLANGE, 6MM	1	1	1		
23	95701-06012-00	BOLT, FLANGE, 6X12	3	3	3		
24	95701-06020-00	BOLT, FLANGE, 6X20	2	2	2		



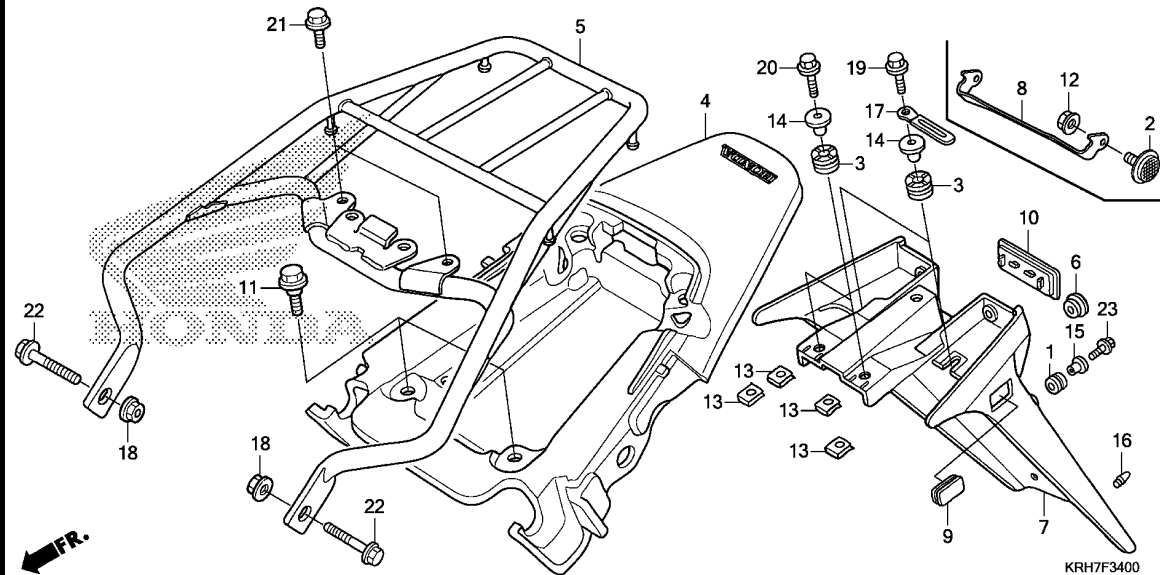
FR.

KRH7F3300

Ref. No.	L.O.N.	(Relative ref. Number) Description	F.R.T.
1	512115	CUSHION ASSY., REAR	0.4
7	5121D1	BEARING, REAR CUSHION	0.6

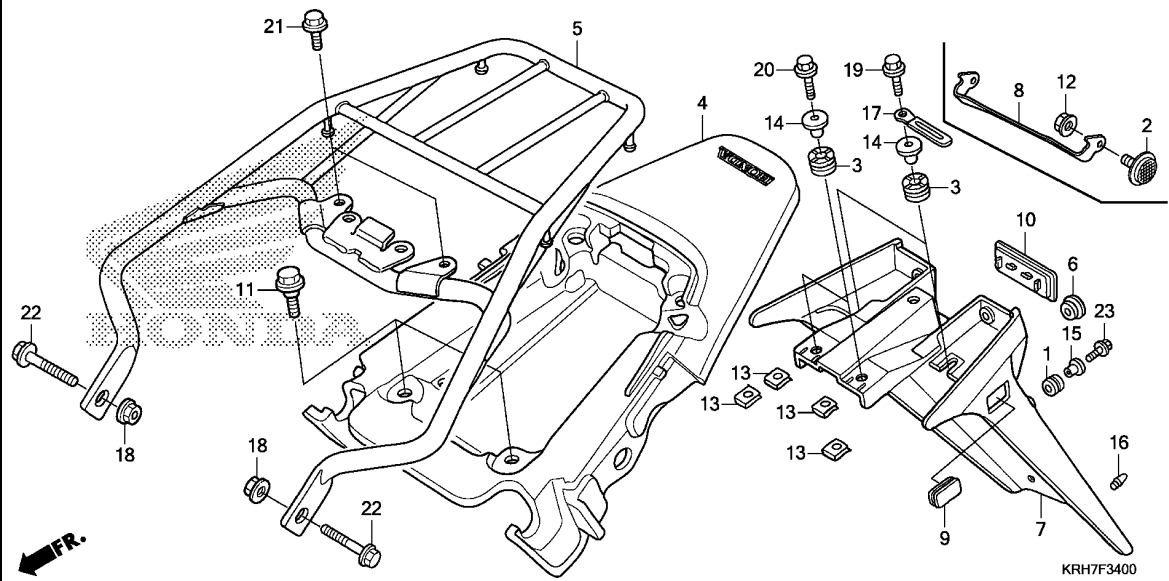
3

Ref. No.	Part No.	Description	Reqd. QTY			Serial No.	Parts catalogue code
			XR 125 LEK E	XL 125 LEK E	XR 150 LEK E		
1	52400-KRH-901	CUSHION ASSY., RR.	1	-	-		
	52400-KRH-781	-	1	-		
	52400-KRH-651	-	-	1		
2	52463-KRH-901	COLLAR, CUSHION CONNECTING ROD	1	1	1		
3	87516-KRH-901	LABEL, RR. DAMPER (ENGLISH) ..	1	-	1		
	87516-MCA-G60	LABEL, RR. DAMPER (PICTOGRAPH)	-	1	-		
4	90107-MBL-610	BOLT, SOCKET, 10X57	1	1	1		
5	90155-KRH-900	BOLT, FLANGE, 10X52	1	1	1		
6	90304-KYA-601	NUT, FLANGE, 10MM(PT)	1	1	1		
7	91072-KRH-901	BEARING, NEEDLE, 17X24X20 ...	1	1	1		
8	91262-KRH-901	DUST SEAL, 17X24X4	2	2	2		



Ref. No.	L.O.N.	(Relative ref. Number) Description	F.R.T.
4	411135	COWL, REAR	0.2
5	410165	CARRIER, LUGGAGE	0.2
7	6161P6	BRACKET, TAILLIGHT	0.5

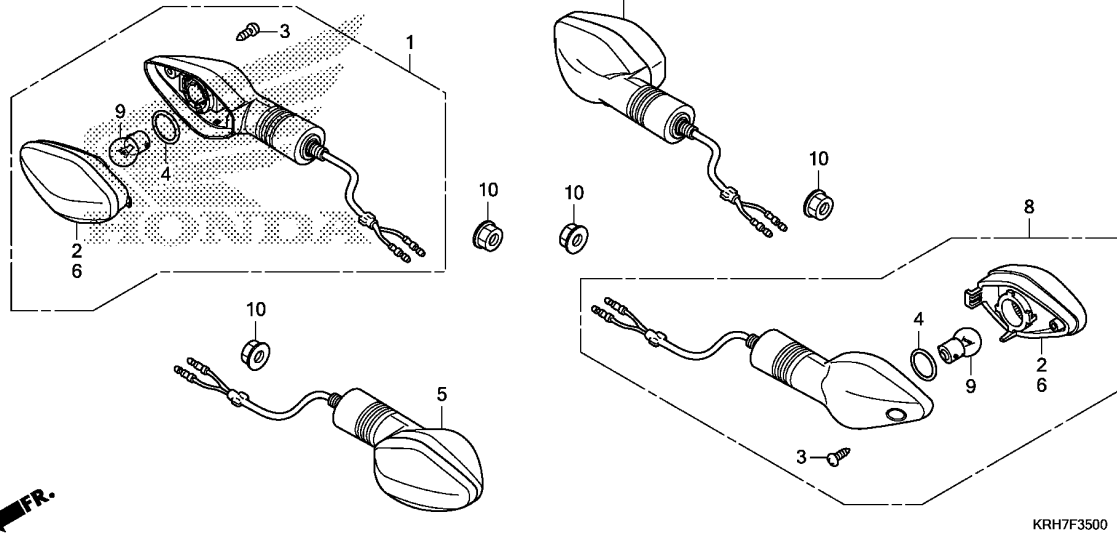
Ref. No.	Part No.	Description	Reqd. QTY			Serial No.	Parts catalogue code
			XR 125 LEK E	XL 125 LEK E	XR 150 LEK E		
1	33712-KT1-670	RUBBER, TAILLIGHT	2	2	2		
2	33741-KYY-901	REFLECTOR, REFLEX(AMBER)	-	-	2	-----	1LA
	33741-KAK-971	REFLECTOR, FR. REFLEX	-	-	2	-----	NZ
3	37101-KRH-900	RUBBER, SPEEDOMETER	4	4	4		
4	80100-KRH-900ZB	COWL SET, RR.(WL) *NH196*.....ROSS WHITE	1	1	1		
5	81200-KRH-780ZA	CARRIER COMP., RR. *NH1*.....BLACK	1	1	1		
6	83551-376-000	GROMMET, SIDE COVER	1	-	1		
7	84701-KRH-900	BASE COMP., NUMBER PLATE	1	1	1		
8	84704-KRH-A50	STAY, RR. REFLEX REFLECTOR ..	-	-	1	-----	1LA,NZ
9	84705-KRH-D00	CAP, NUMBER BRACKET	2	2	2		
10	84711-KRH-900	CAP, NUMBER PLATE BASE COMP.	1	1	1		
11	90111-162-000	BOLT, FLANGE, 6MM	2	2	2		
12	90301-088-660	NUT, SPECIAL, 6MM	-	-	2	-----	1LA,NZ
13	90311-KRH-900	NUT, CLIP, 6MM	4	4	4		
14	90502-KRH-780	COLLAR, RR. FENDER	4	4	4		
15	90508-KRH-900	COLLAR C	2	2	2		
16	90899-KRH-900	PLUG, CONE	2	2	2		
17	91406-166-000	CLIP, WIRE	2	2	2		
18	94050-08000	NUT, FLANGE, 8MM	2	2	2		
19	95701-06022-00	BOLT, FLANGE, 6X22	2	2	2		
20	95701-06025-00	BOLT, FLANGE, 6X25	2	2	2		
21	95701-08018-00	BOLT, FLANGE, 8X18	2	2	2		



3

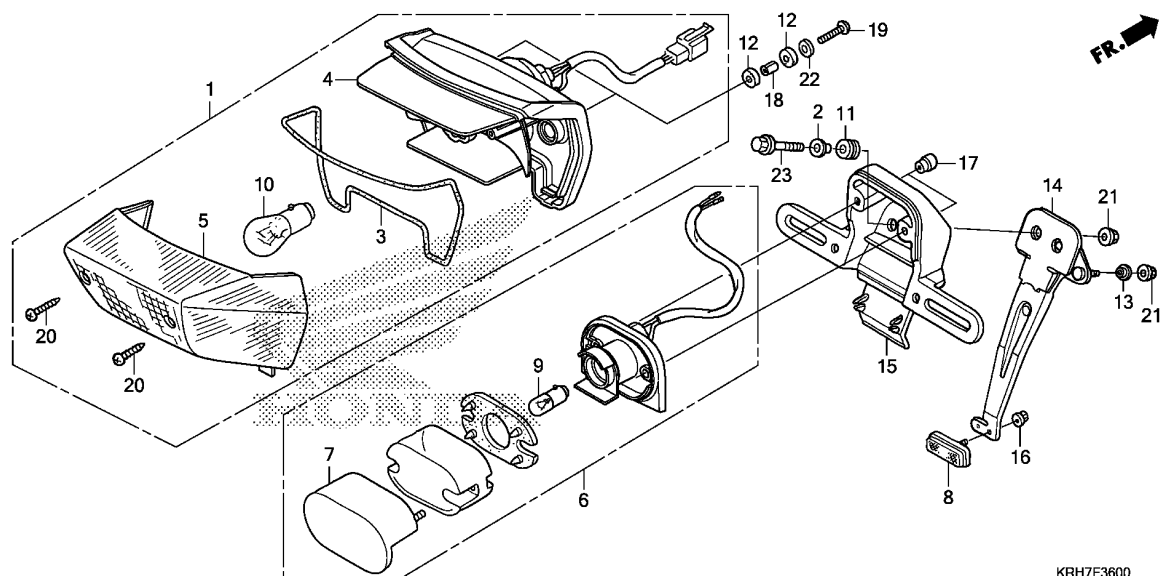
Ref. No.	Part No.	Description	Reqd. QTY			Serial No.	Parts catalogue code
			XR 125 LEK E	XL 125 LEK E	XR 150 LEK E		

22	95701-08045-00	BOLT, FLANGE, 8X45	2	2	2		
23	96001-06018-07	BOLT, FLANGE, 6X18	2	2	2		



Ref. No.	L.O.N.	(Relative ref. Number) Description	F.R.T.
1	6161C4	WINKER :RIGHT FRONT	0.2
5	6161C3	WINKER :LEFT FRONT	0.2
	6161C5	WINKER :BOTH FRONT	0.2
7	6161C7	WINKER :RIGHT REAR	0.3
8	6161C6	WINKER :LEFT REAR	0.3
	6161C8	WINKER :BOTH REAR	0.4
9	616133	BULB, WINKER :FRONT	0.1
		.NOTE: Same time for two units	
	616139	BULB, WINKER :REAR	0.1
		.NOTE: Same time for two units	
	6161G0	BULB, WINKER :FOR 1 VEHICLE ..	0.2

Ref. No.	Part No.	Description	Reqd. QTY			Serial No.	Parts catalogue code
			XR 125 LEK E	XL 125 LEK E	XR 150 LEK E		
1	33400-KRH-601	WINKER ASSY., R. FR.(12V 10W)	1	1	1	-----	1LA,2SA,3LA,DK,SA
	33400-KRH-631	-	-	1	-----	NZ
2	33403-KRH-601	LENS COMP., R.					
		(R. FR./L. RR.)	2	2	2		
3	33405-KRH-600	SCREW, TAPPING, 4X13	4	4	4		
4	33407-GGL-A01	PACKING	4	4	4		
5	33450-KRH-601	WINKER ASSY., L. FR.(12V 10W)	1	1	1	-----	1LA,2SA,3LA,DK,SA
	33450-KRH-631	-	-	1	-----	NZ
6	33453-KRH-601	LENS COMP., L.					
		(L. FR./R. RR.)	2	2	2		
7	33600-KRH-601	WINKER ASSY., R. RR.(12V 10W)	1	1	1	-----	1LA,2SA,3LA,DK,SA
	33600-KRH-631	-	-	1	-----	NZ
8	33650-KRH-601	WINKER ASSY., L. RR.(12V 10W)	1	1	1	-----	1LA,2SA,3LA,DK,SA
	33650-KRH-631	-	-	1	-----	NZ
9	34907-KYS-941	BULB(12V 10W)(AMBER)	4	4	4	-----	1LA,2SA,3LA,DK,SA
	34903-KRE-E31	BULB, WINKER LIGHT(12V 10W) ..	-	-	4	-----	NZ
10	94050-10000	NUT, FLANGE, 10MM	4	4	4		

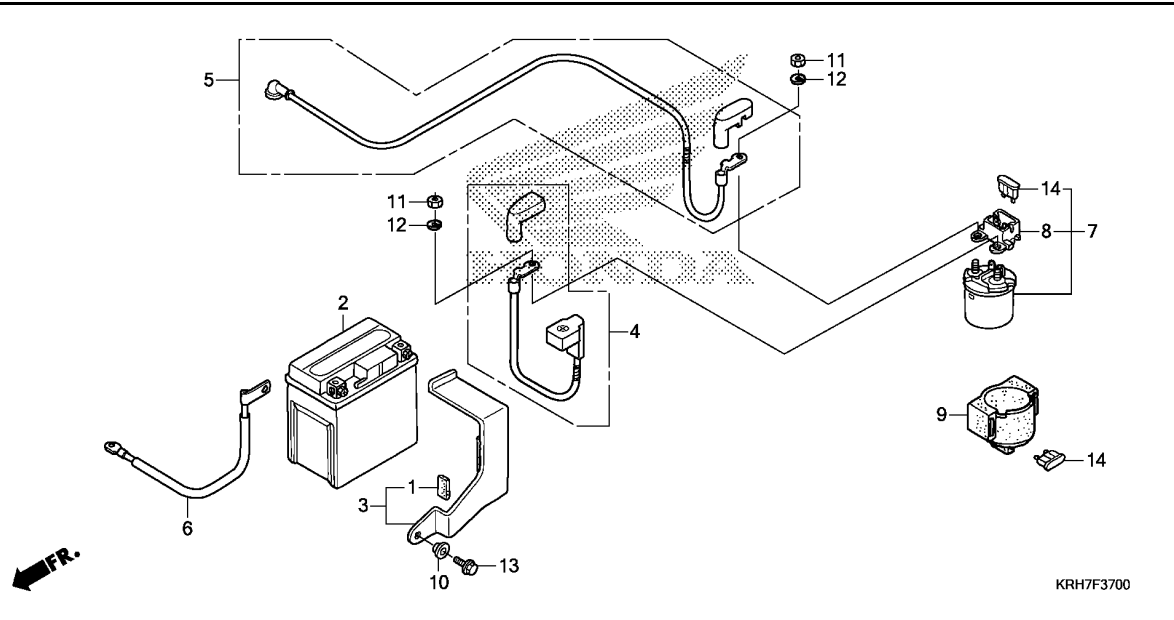


Ref. No.	L.O.N.	(Relative ref. Number) Description	F.R.T.
1	6161D5	TAILLIGHT UNIT	0.3
4	6161E2	BASE, TAILLIGHT	0.3
6	6161D8	LIGHT, LICENSE	0.3
9		(7)	
	6161F3	BULB, LICENSE LIGHT	0.1
10		(3,5)	
	6161G1	BULB, TAILLIGHT	0.1
15	4131K7	BRACKET, NUMBER PLATE	0.3

KRH7F3600

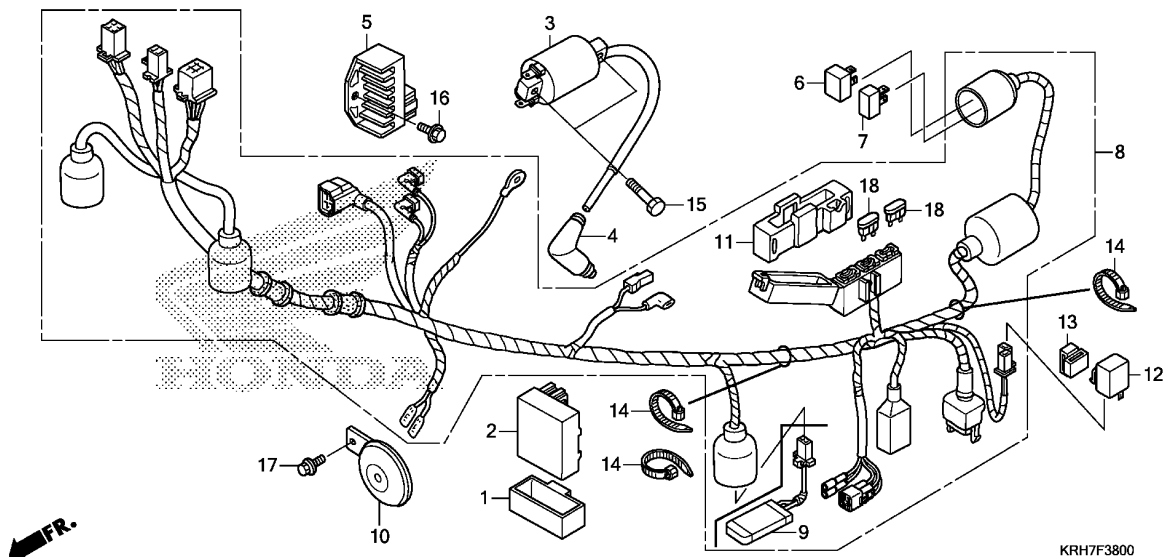
3

Ref. No.	Part No.	Description	Reqd. QTY			Serial No.	Parts catalogue code
			XR 125 LEK E	XL 125 LEK E	XR 150 LEK E		
1	33700-KRH-901	TAILLIGHT UNIT(12V 21/5W) ...	1	1	1		
2	33706-KRH-900	COLLAR, TAILLIGHT MOUNTING ..	2	2	2		
3	33708-KRH-901	PACKING, TAILLIGHT LENS	1	1	1		
4	33711-KRH-901	BASE COMP., TAILLIGHT	1	1	1		
5	33712-KRH-901	LENS COMP., TAILLIGHT	1	1	1		
6	33720-KRH-901	LIGHT ASSY., LICENSE(12V 5W)	1	1	1		
7	33723-KRH-901	COVER COMP., LICENSE	1	1	1		
8	33741-KRH-901	REFLECTOR, REFLEX	1	1	1		
9	34904-KRH-901	BULB, LICENSE(12V 5W)	1	1	1		
10	34906-447-711	BULB, TAIL & STOP LIGHT (12V 21/5W)(STANLEY)	1	1	1		
11	61103-357-000	RUBBER, FR. FENDER MOUNTING .	2	2	2		
12	77218-KRH-900	RUBBER, SEAT HINGE	4	4	4		
13	80112-KRH-901	COLLAR, FENDER COVER	3	3	3		
14	84702-KRH-900	STAY, NUMBER BRACKET	1	1	1		
15	84703-KRH-900	BRACKET, NUMBER PLATE	1	1	1		
16	90301-GFM-890	NUT, SPECIAL, 5MM	1	1	1		
	90301-MG8-000	NUT, FLANGE, 5MM(FUSE RASHI)	1	1	1		
17	90302-MB2-000	NUT, SPECIAL, 4MM	2	2	2		
18	90504-KRH-900	COLLAR, TAILLIGHT MOUNTING ..	2	2	2		
19	93500-05020-0A	SCREW, PAN, 5X20	2	2	2		
20	33716-KRH-900	SCREW, TAPPING, 4X35	2	2	2		
21	94050-06000	NUT, FLANGE, 6MM	5	5	5		
22	94103-05000	WASHER, PLAIN, 5MM	2	2	2		
23	96001-06025-00	BOLT, FLANGE, 6X25	2	2	2		



Ref. No.	L.O.N.	(Relative ref. Number) Description	F.R.T.
2	610100	BATTERY	0.2
4	610105	CABLE, POSITIVE BATTERY	0.2
5	612115	CABLE, STARTER MOTOR	0.3
6	610110	CABLE, NEGATIVE BATTERY	0.2
7	615113	SWITCH, STARTER MAGNETIC	0.3

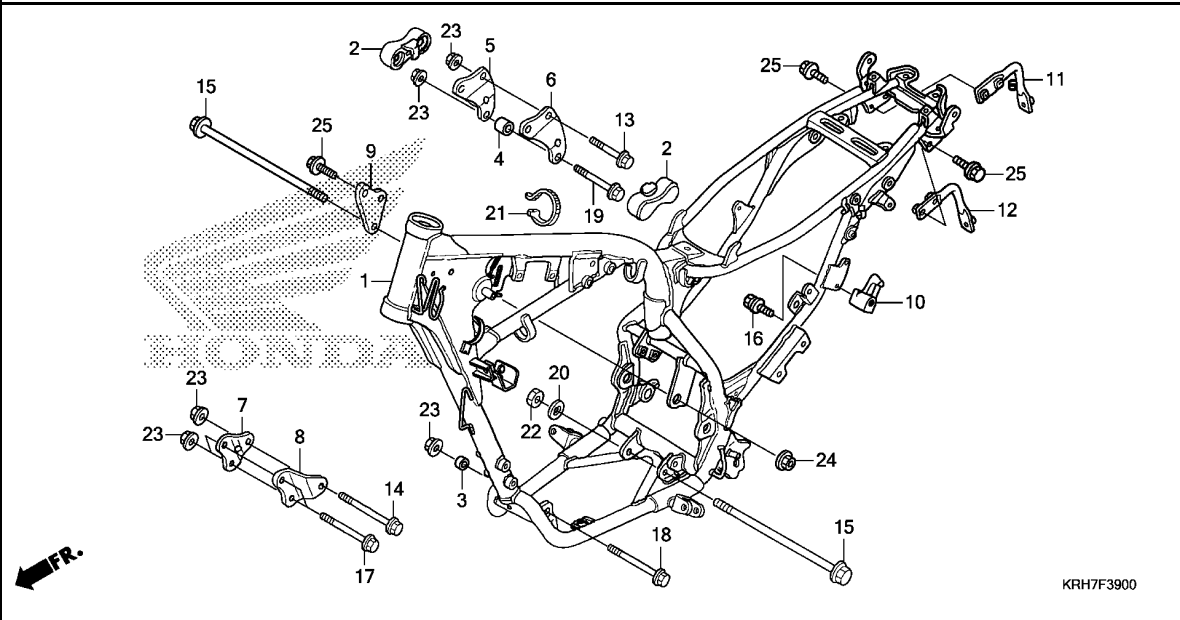
Ref. No.	Part No.	Description	Reqd. QTY			Serial No.	Parts catalogue code
			XR 125 LEK E	XL 125 LEK E	XR 150 LEK E		
1	17518-KRE-900	RUBBER	1	1	1		
2	31500-KRH-661	BATTERY (YTX5L-BS) (TIANJIN YUASA)	1	1	1	----- 2SA,DK,NZ,SA	
	31500-KRH-931	1	-	1	----- 1LA,3LA	
3	31510-KRH-900	BAND, BATTERY	1	1	1		
4	32401-KRH-900	CABLE, STARTER MAGNETIC					
5	32410-KRH-600	CABLE, STARTER MOTOR	1	1	1		
6	32601-KRH-600	CABLE, BATTERY EARTH	1	1	1		
7	35850-KRH-A01	SWITCH ASSY., STARTER MAGNETIC	1	1	1		
8	35852-KRH-901	HOLDER COMP., FUSE	1	1	1		
9	35856-KRH-901	RUBBER, SHOCK	1	1	1		
10	61101-KRH-900	COLLAR, FR. FENDER SETTING(A)	1	1	1		
11	94002-06000-0S	NUT, HEX., 6MM	2	2	2		
12	94111-06000	WASHER, SPRING, 6MM	2	2	2		
13	95701-06016-00	BOLT, FLANGE, 6X16	1	1	1		
14	98200-31500	FUSE, BLADE(15A)	2	2	2		



Ref. No.	L.O.N.	(Relative ref. Number) Description	F.R.T.
2	6141A1	IGNITION CONTROL MODULE	0.3
3	614105	COIL, IGNITION	0.4
5	6131B2	RECTIFIER, REGULATE	0.4
8	611100	HARNESS, WIRE	1.2
9	615185	SWITCH, THERMOSTAT	0.2
10	616169	HORN	0.1
12	6111C3	RELAY, WINKER	0.2

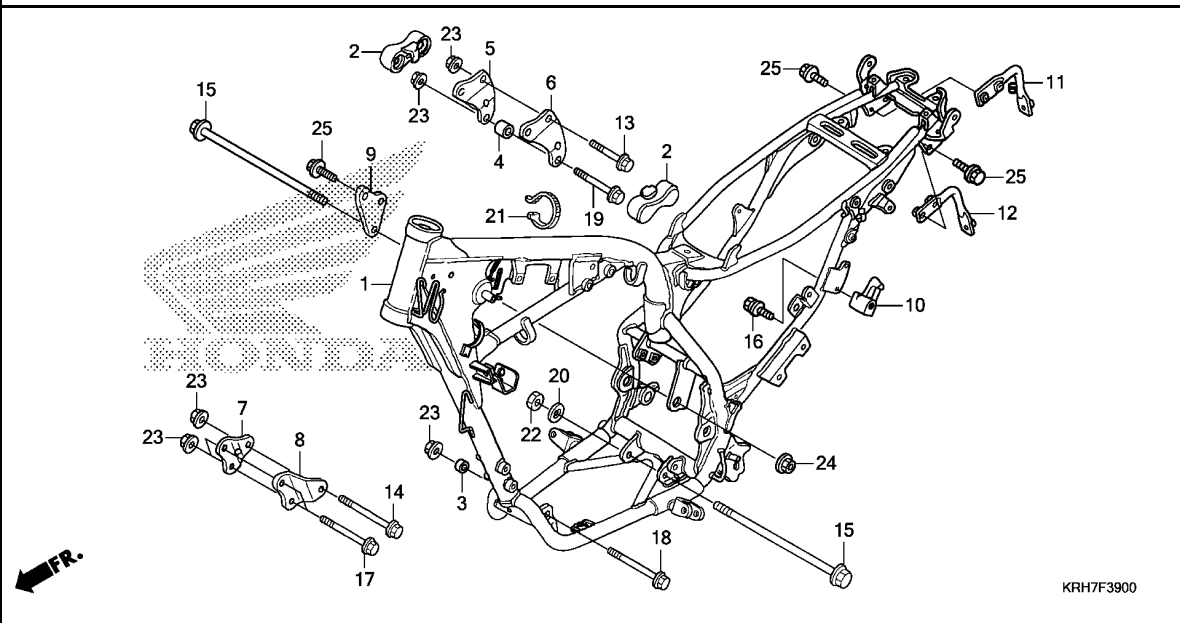
KRH7F3800

Ref. No.	Part No.	Description	Reqd. QTY			Serial No.	Parts catalogue code
			XR 125 LEK E	XL 125 LEK E	XR 150 LEK E		
1	30401-KRH-781	CUSHION, C.D.I. UNIT	1	1	1		
2	30410-KRH-A01	C.D.I. UNIT COMP., DIGITAL(DC)	1	1	-		
	30410-KRH-651	-	-	1	-----	1LA,3LA,DK,SA
	30410-KRH-631	-	-	1	-----	NZ
3	30500-KRH-781	COIL COMP., IGNITION	1	1	1		
4	30700-KRH-901	CAP ASSY., NOISE SUPPRESSOR	1	1	1		
5	31600-KRH-781	RECTIFIER COMP., REGULATE ...	1	1	1		
6	31700-KRH-901	RECTIFIER COMP., SILICON	-	-	1	-----	NZ
7	31700-KVX-701	RECTIFIER ASSY., SILICON	1	1	1		
8	32100-KRH-620	HARNESS, WIRE	1	-	1	-----	1LA,SA
	32100-KRH-600	1	-	1	-----	3LA,DK
	32100-KRH-640	-	-	1	-----	NZ
	32100-KRH-630	-	-	1	-----	NZ
9	35250-KRH-901	SWITCH ASSY., THERMOSTAT	1	1	1	-----	1LA,2SA,NZ,SA
10	38110-KRH-901	HORN COMP.(HIGH)	1	1	1		
11	38201-KRH-901	SUSPENSION, FUSE CASE(MINI 2P)	1	1	1		
12	38301-KVX-601	RELAY COMP., WINKER	1	1	1		
13	38306-KYY-970	SUSPENSION, WINKER RELAY ...	1	1	1		
14	90650-KW3-000	BAND, WIRE	3	3	3		
15	92101-06020-0A	BOLT, HEX., 6X20	2	2	2		
16	95701-06014-00	BOLT, FLANGE, 6X14	1	1	1		
17	95701-08012-07	BOLT, FLANGE, 8X12	1	1	1		
18	98200-41000	FUSE, MINI(10A)	2	2	2		

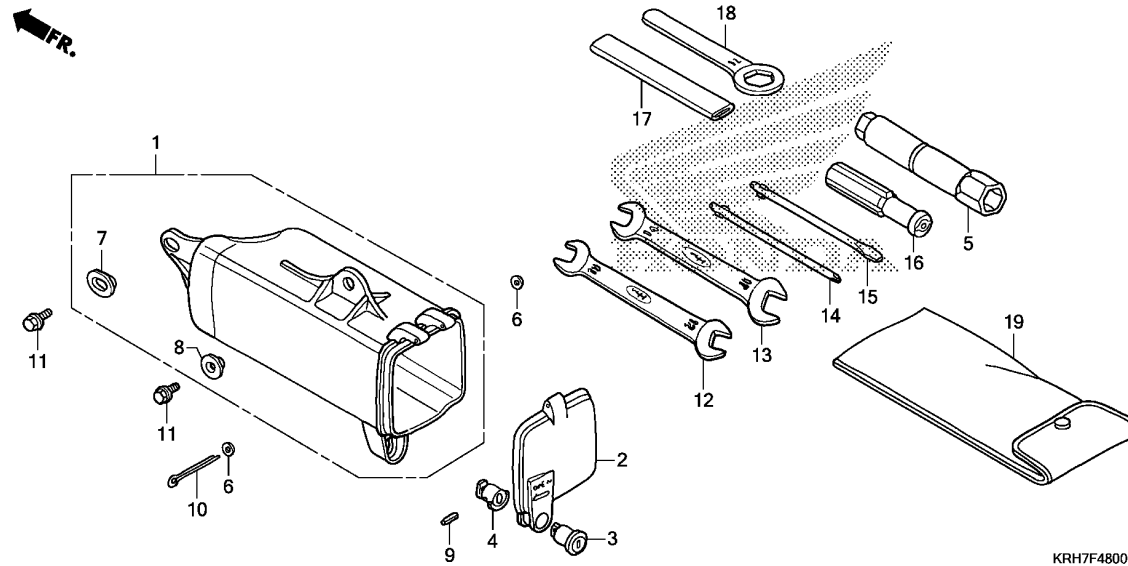


Ref. No.	L.O.N.	(Relative ref. Number) Description	F.R.T.
1	410100	BODY, FRAMEINCLUDES: Engine removal and installation	5.1
10	410197	LOCK, HELMET	0.2

Ref. No.	Part No.	Description	Reqd. QTY			Serial No.	Parts catalogue code
			XR 125 LEK E	XL 125 LEK E	XR 150 LEK E		
1	50100-KRH-A00ZB	BODY COMP., FRAME					
		NH1.....BLACK	1	-	1	-----	1LA,3LA,DK,SA
	50100-KRH-640ZA	*NH1*.....BLACK	-	1	-		
	50100-KRH-A40ZB	*NH1*.....BLACK	-	-	1	-----	NZ
2	50212-KRH-900	RUBBER, TANK GUARD	2	2	2		
3	50318-KRH-780	COLLAR, ENGINE MOUNT	1	1	1		
4	50320-KRH-780	COLLAR, UPPER ENGINE HANGER MOUNT	1	1	1		
5	50522-KRH-780	PLATE, R. ENGINE HANGER UPPER	1	1	1		
6	50532-KRH-780	PLATE, L. ENGINE HANGER UPPER	1	1	1		
7	50533-KRH-900	PLATE, R. FR. ENGINE HANGER	1	-	1		
	50533-KRH-780	-	1	-		
8	50534-KRH-900	PLATE, L. FR. ENGINE HANGER	1	-	1		
	50534-KRH-780	-	1	-		
9	50537-KRH-780	PLATE, L. RR. ENGINE HANGER (R. SIDE)	1	1	1		
10	50710-KRH-901	HOLDER ASSY., HELMET	1	1	1		
11	84706-KRH-900	PIPE, R. SUPPORT	1	1	1		
12	84707-KRH-900	PIPE, L. SUPPORT	1	1	1		
13	90102-KRH-900	BOLT, FLANGE, 8X56	2	2	2		
14	90103-KRH-900	BOLT, FLANGE, 8X88	1	1	1		
15	90105-KRH-900	BOLT, FLANGE, 10X110	2	2	2		
16	90114-KRH-900	BOLT, BREAK OFF	1	1	1		
17	90154-KB7-700	BOLT, FLANGE, 8X73	2	2	2		
18	90156-KK6-000	BOLT, FLANGE, 8X96	1	1	1		

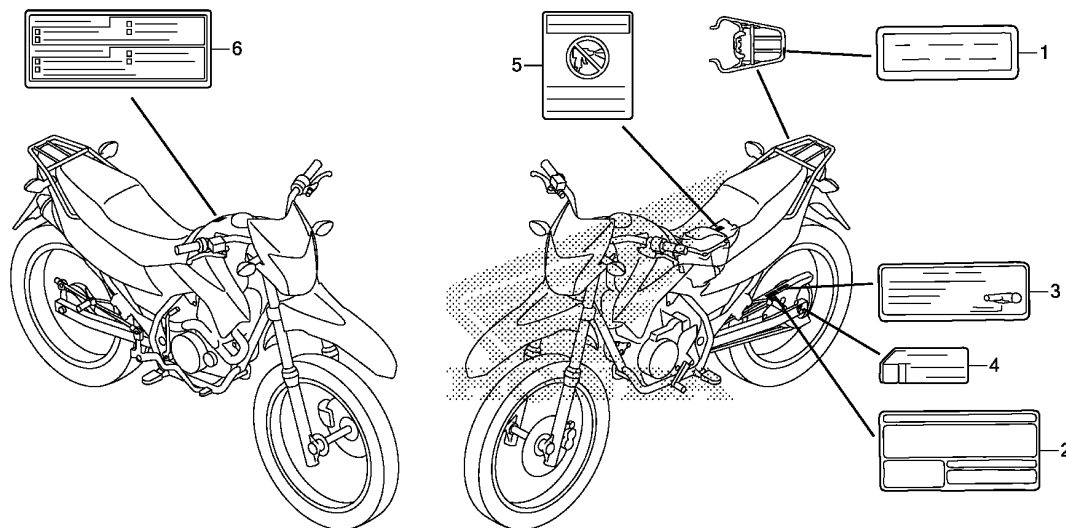


Ref. No.	Part No.	Description	Reqd. QTY			Serial No.	Parts catalogue code
			XR 125 LEK E	XL 125 LEK E	XR 150 LEK E		
19	90156-KRH-780	BOLT, FLANGE, 8X68	1	1	1		
20	90510-KRH-900	WASHER, 10MM	1	1	1		
21	90651-KRH-900	BAND, WIRE	1	1	1		
22	94030-10200	NUT, HEX., 10MM	1	1	1		
23	94050-08000	NUT, FLANGE, 8MM	7	7	7		
24	94050-10000	NUT, FLANGE, 10MM	1	1	1		
25	95701-08016-00	BOLT, FLANGE, 8X16	6	6	6		



Ref. No.	L.O.N.	(Relative ref. Number) Description	F.R.T.
1	410190	BOX OR BAG, TOOL	0.2
2	4101B1	COVER, TOOL BOX	0.2

Ref. No.	Part No.	Description	Reqd. QTY			Serial No.	Parts catalogue code
			XR 125 LEK E	XL 125 LEK E	XR 150 LEK E		
1	83502-KRH-900	BOX, TOOL	1	1	1		
2	83504-KRH-900	CAP, TOOL BOX	1	1	1		
3	83507-422-000	BODY, KEY	1	1	1		
4	83508-MR4-900	STOPPER, KEY BODY	1	1	1		
5	89216-KRH-660	WRENCH, SPARK PLUG	1	1	1		
6	90231-GHR-600	WASHER, PLAIN, 3MM	2	2	2		
7	90505-KRH-900	WASHER, 6X9	1	1	1		
8	90512-KRH-900	WASHER, 6.5X20	1	1	1		
9	91501-MR4-900	PIN, SPRING, 2X14	1	1	1		
10	94201-30450	PIN, SPLIT, 3.0X45	1	1	1		
11	95701-06012-00	BOLT, FLANGE, 6X12	2	2	2		
12	99001-10120	SPANNER, 10X12	1	1	1		
13	99001-14170	SPANNER, 14X17	1	1	1		
14	99003-10000	DRIVER 1, PLUS SCREW(NO.2) ..	1	1	1		
15	99003-30000	DRIVER 3, MINUS SCREW(NO.2) -	1	1	1		
16	99003-50000	GRIP, SCREW DRIVER	1	1	1		
17	99006-12000	HANDLE, EYE WRENCH, 12MM	1	1	1		
18	99006-24000	WRENCH, EYE, 24MM	1	1	1		
19	99008-01600	BAG, TOOL, 160MM	1	1	1		



KRH7F4900

Ref. L.O.N. (Relative ref. Number) F.R.T.
No. Description

NO INFORMATION

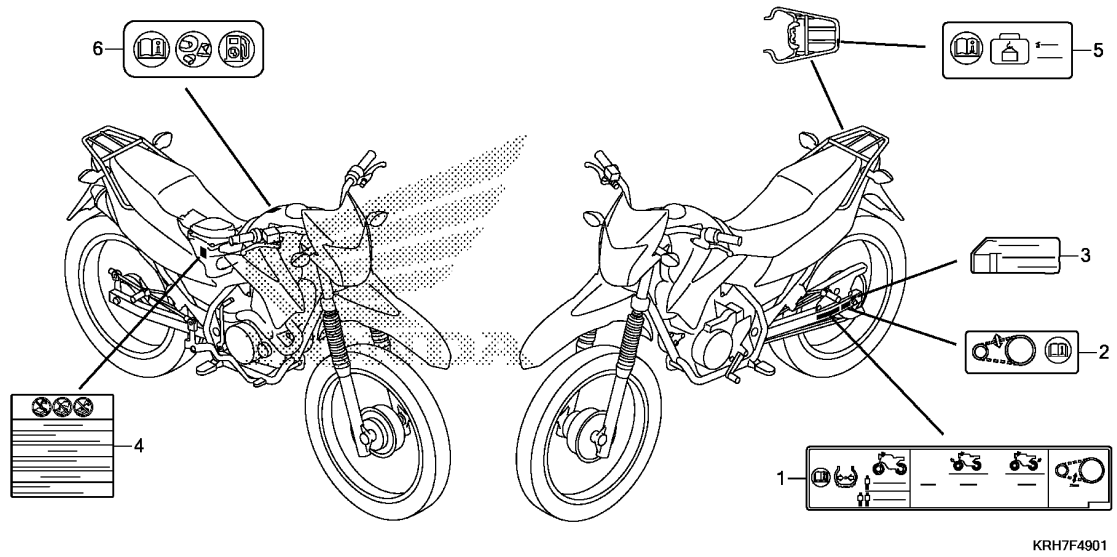
3

Ref. No.	Part No.	Description	Reqd. QTY			Serial No.	Parts catalogue code
			XR 125 LEK E	XL 125 LEK E	XR 150 LEK E		
1	81220-KRH-910	LABEL, RR. CARRIER(SPANISH)	1	-	1	-----	1LA,3LA
	81220-KV8-860ZA	LABEL, RR. CARRIER(ENGLISH)				-----	DK,NZ,SA
		TYPE2.....	1	-	1	-----	1LA,3LA
2	87505-KRH-910	LABEL, TIRE(SPANISH)	1	-	1	-----	DK,NZ,SA
	87505-KRH-900	LABEL, TIRE(ENGLISH)	1	-	1	-----	1LA,3LA
3	87507-KRH-910	LABEL, DRIVE CHAIN	1	-	1	-----	DK,NZ,SA
	87507-MZ8-W00	LABEL, DRIVE CHAIN	1	-	1	-----	1LA,3LA
4	87508-KRH-910	LABEL, CHAIN ADJUSTER (SPANISH)	1	-	1	-----	DK,NZ,SA
	87508-MN8-670	LABEL, CHAIN ADJUSTER	1	-	1	-----	1LA,3LA
5	87509-KVR-600	LABEL, AIR CLEANER ELEMENT	1	-	1	-----	DK,NZ,SA
	87509-KWP-900	NOTICE	1	-	1	-----	1LA,3LA
		1	-	1	-----	DK,NZ,SA
6	87560-KYY-600ZB	LABEL, DRIVE CAUTION(SPANISH)	1	-	1	-----	
		TYPE1.....	1	-	1	-----	

F-49-1

CAUTION LABEL(XL125LEK)

J 3



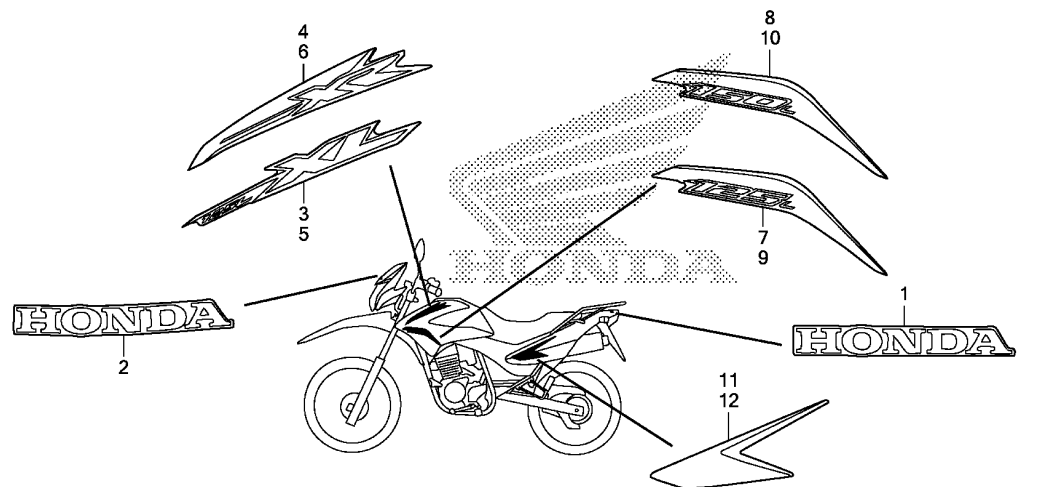
Ref. L.O.N. (Relative ref. Number) F.R.T.
No. Description

NO INFORMATION

KRH7F4901

Ref. No.	Part No.	Description	Reqd. QTY			Serial No.	Parts catalogue code
			XR 125 LEK E	XL 125 LEK E	XR 150 LEK E		
1	87505-KRH-780	LABEL, TIRE	-	1	-		
2	87507-KYJ-960	LABEL, DRIVE CHAIN(PICTOGRAPH)	-	1	-		
3	87508-MN8-670	LABEL, CHAIN ADJUSTER	-	1	-		
	87508-MN8-730	LABEL, CHAIN ADJUSTER(FRENCH)	-	1	-		
	87508-MY5-B60	LABEL, CHAIN ADJUSTER (PORTUGUESE)	-	1	-		
4	87509-KRH-780	LABEL, AIR CLEANER ELEMENT NOTICE	-	1	-		
5	87520-MEW-D40	LABEL, CARGO LIMIT(5.0)	-	1	-		
6	87586-MGN-D00	LABEL, FUEL & DRIVE (PICTOGRAPH)	-	1	-		

3



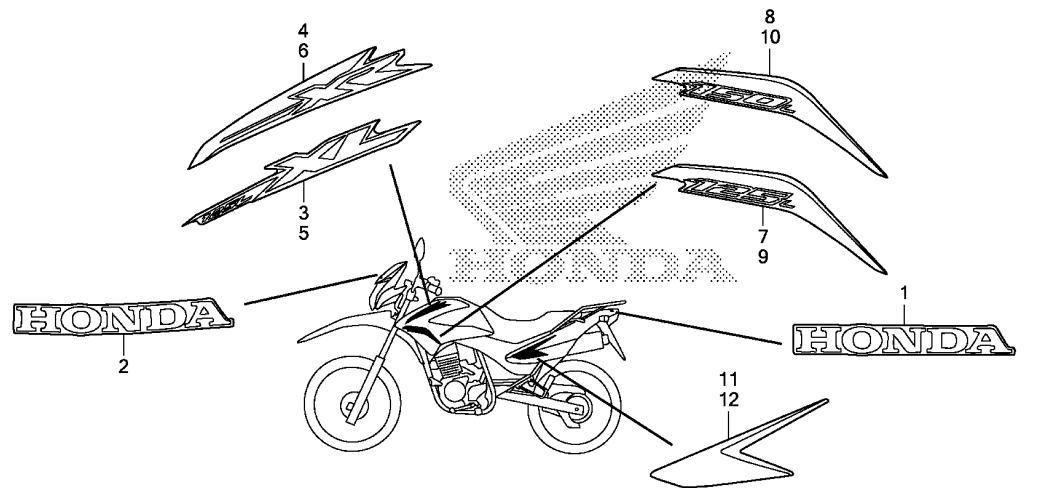
KRH7F5000

Ref. L.O.N. (Relative ref. Number) F.R.T.
No. Description

NO INFORMATION

3

Ref. No.	Part No.	Description	Reqd. QTY			Serial No.	Parts catalogue code
			XR 125 LEK E	XL 125 LEK E	XR 150 LEK E		
1	61310-KRH-900ZC	MARK, RR.(HONDA) *TYPE3*	1	1	1		
2	61315-KRH-900ZC	MARK, FR.(HONDA) *TYPE3*	1	1	1		
3	86191-KRH-640ZA	STRIPE, R. TANK SHROUD *TYPE2*	-	1	-		
	86191-KRH-640ZB	*TYPE1*	-	1	-		
4	86191-KRH-660ZB	STRIPE A, R. TANK SHROUD *TYPE2*	1	-	1	-----	1LA,3LA,DK,NZ
	86191-KRH-660ZA	*TYPE3*	1	-	1		
	86191-KRH-660ZC	*TYPE1*	1	-	1		
5	86192-KRH-640ZA	STRIPE, L. TANK SHROUD *TYPE2*	-	1	-		
	86192-KRH-640ZB	*TYPE1*	-	1	-		
6	86192-KRH-660ZB	STRIPE A, L. TANK SHROUD *TYPE2*	1	-	1	-----	1LA,3LA,DK,NZ
	86192-KRH-660ZA	*TYPE3*	1	-	1		
	86192-KRH-660ZC	*TYPE1*	1	-	1		
7	86193-KRH-620ZB	STRIPE B, R. TANK SHROUD *TYPE2*	1	-	-	-----	3LA,DK
	86193-KRH-620ZA	*TYPE3*	1	-	-		
	86193-KRH-620ZC	*TYPE1*	1	-	-		
8	86193-KRH-660ZB	STRIPE B, R. TANK SHROUD *TYPE2*	-	-	1	-----	1LA,3LA,DK,NZ
	86193-KRH-660ZA	*TYPE3*	-	-	1		
	86193-KRH-660ZC	*TYPE1*	-	-	1		



KRH7F5000

Ref. No.	Part No.	Description	Reqd. QTY			Serial No.	Parts catalogue code
			XR 125 LEK E	XL 125 LEK E	XR 150 LEK E		
9	86194-KRH-620ZB	STRIPE B, L. TANK SHROUD					
		TYPE2	1	-	-	-----	3LA,DK
	86194-KRH-620ZA	*TYPE3*	1	-	-		
	86194-KRH-620ZC	*TYPE1*	1	-	-		
10	86194-KRH-660ZB	STRIPE B, L. TANK SHROUD					
		TYPE2	-	-	1	-----	1LA,3LA,DK,NZ
	86194-KRH-660ZA	*TYPE3*	-	-	1		
	86194-KRH-660ZC	*TYPE1*	-	-	1		
11	86831-KRH-660ZA	STRIPE, R. SIDE COVER					
		TYPE1	-	-	1		
12	86832-KRH-660ZA	STRIPE, L. SIDE COVER					
		TYPE1	-	-	1		

PART NO. INDEX

K 2

Part Number	Address	Page	Ref.	Part Number	Address	Page	Ref.	Part Number	Address	Page	Ref.	Part Number	Address	Page	Ref.
23427-KRM-840	F2	53	4	30410-KRH-A01	I14	104	2	33450-KRH-601	I11	101	5	37000			
	F5	56	1	30500-KRH-781	I14	104	3	33450-KRH-631	I11	101	5	43151-110-000	H6	80	6
23431-KPN-A00	F2	53	5	30700-KRH-901	I14	104	4	33453-KRH-601	I11	101	6	43151-329-000	H2	76	3
23432-KRH-780	F2	53	6					33600-KRH-601	I11	101	7	37100-KRH-601	G2	60	3
23432-KVX-600	F2	53	7	31000				33600-KRH-631	I11	101	7	37101-KRH-900	H10	84	14
23441-KPN-A00	F2	53	8					33650-KRH-601	I11	101	7		I9	99	3
23451-KPN-A00	F2	53	9	31110-KRH-A01	E11	46	1	33650-KRH-631	I11	101	8	37210-KRH-601	G2	60	4
23461-KPN-A00	F2	53	10	31120-KRH-781	E11	46	2	33700-KRH-901	I12	102	1	37213-KRH-901	G2	60	5
23471-KPN-A00	F2	53	11	31200-KRH-651	E12	47	1	33706-KRH-901	I12	102	2	37220-KRH-601	G2	60	6
23481-KPN-A00	F2	53	12	31200-KRM-851	E12	47	1	33708-KRH-901	I12	102	3	37224-KRH-601	G2	60	7
23491-KPN-A00	F2	53	13	31201-KPT-A01	E12	47	2	33711-KRH-901	I12	102	4	37230-KRH-601	G2	60	8
23501-KPN-A00	F2	53	14	31201-KVC-901	E12	47	2	33712-KRH-901	I12	102	5	37233-KRH-901	G2	60	9
23801-KRH-650	F2	53	15	31204-KG8-004	E12	47	3	33712-KT1-670	I9	99	1	37243-MG2-000	G2	60	10
23801-KWF-940	F2	53	15	31204-KRH-651	E12	47	3	33716-KRH-900	I12	102	20	38000			
23811-KR3-600	F2	53	16	31205-KRM-851	E12	47	4	33720-KRH-901	I12	102	6	44000			
				31205-KYY-931	E12	47	4	33723-KRH-901	I12	102	7	44301-KRH-900	H3	77	3
24000				31206-KPH-881	E12	47	5	33741-KAK-971	I9	99	2	38201-KRH-901	I14	104	11
				31206-KRH-651	E12	47	5	33741-KRH-901	I12	102	8	38301-KVX-601	I14	104	12
24211-KTT-900	F4	55	1	31207-KRH-651	E12	47	6	33741-KYY-901	I9	99	2	38306-KYY-970	I14	104	13
24212-KVX-600	F4	55	2	31207-MBE-008	E12	47	6								
24241-KRM-840	F4	55	3	31500-KRH-661	I13	103	2	34000				40000			
24242-KRM-840	F4	55	4	31500-KRH-931	I13	103	2								
24301-KRH-780	F4	55	5	31510-KRH-900	I13	103	3	34901-KRH-631	G1	59	10	40510-KRH-900	I6	96	1
24410-KTT-900	F4	55	6	31600-KRH-781	I14	104	5	34901-KVC-D01	G1	59	10	40530-KRH-781	I6	96	2
24430-KRM-B10	F4	55	7	31700-KRH-901	I14	104	6	34903-KRE-E31	I11	101	9	40543-KRH-900	I6	96	3
24436-KRM-840	F4	55	8	31700-KVX-701	I14	104	7	34904-KRH-901	I12	102	9	40546-KRH-900	I6	96	4
24610-KRM-840	F4	55	9	31916-KRM-841	E2	37	9	34906-447-711	I12	102	10				
24651-KRM-840	F4	55	10	31917-KPH-901	E2	37	9	34907-KYS-941	I11	101	9	41000			
24652-KRM-840	F4	55	11	31926-KRM-841	E2	37	9	34908-KVJ-911	G2	60	1				
24710-KRH-900	I3	93	1					34910-GFM-901	G2	60	2	41201-KRH-650	H7	81	3
24781-KRH-900	I3	93	2	32000								41201-KRH-780	H7	81	3
								35000				42000			
28000				32100-KRH-600	I14	104	8	35010-KRH-600	G10	68	1				
				32100-KRH-620	I14	104	8	35100-KRH-601	G10	68	2	42301-KRH-900	H7	81	4
28110-KTT-901	E9	44	1	32100-KRH-630	I14	104	8	35121-KRH-900	G10	68	3	42312-KRH-900	H7	81	5
28120-KYA-901	E9	44	2	32100-KRH-640	I14	104	8	35131-KRH-601	G5	63	3	42620-KRH-900	H7	81	6
28126-MN4-004	E9	44	2	32111-KSP-910	E11	46	3	35131-KRH-631	G5	63	3	42635-KRH-650ZA	H7	81	7
28128-KVC-900	E9	44	3	32401-KRH-900	I13	103	4	35131-KRH-641	G7	65	3	42635-KRH-780ZA	H7	81	7
28131-KTT-900	E9	44	4	32410-KRH-600	I13	103	5	35201-KRH-601	G5	63	4	42650-KRH-650ZA	H7	81	8
28132-KN6-930	E9	44	5	32601-KRH-600	I13	103	6		G7	65	4	42650-KRH-780ZA	H7	81	8
28133-KRM-850	E9	44	6	32925-958-000	E2	37	10	35250-KRH-901	I14	104	9	42650-KRH-900ZA	H7	81	8
28211-KVS-600	F5	56	2					35330-KRH-901	G5	63	5	42701-KRH-780	H7	81	9
28212-KVS-600	F5	56	3	33000					G7	65	5	42701-KRH-900	H7	81	9
28215-KWK-900	F5	56	4						G7	65	6	42711-KRH-781	H7	81	10
28221-KRM-840	F5	56	5	33103-KRH-660	G1	59	2	35340-KRH-641	G7	65	6	42711-KRH-901	H7	81	10
28223-KRM-840	F5	56	6	33107-KRE-E30	G1	59	3	35340-MGS-D31	G9	67	1	42712-KRH-781	H8	82	11
28231-KWK-900	F5	56	7	33110-KRH-601	G1	59	4	35350-KRH-601	I3	93	6	42712-KRH-901	H8	82	11
28251-KWG-600	F5	56	8	33110-KRH-631	G1	59	4	35357-KRH-900	I3	93	7	42713-KRH-781	H8	82	12
28261-KRM-840	F5	56	9	33117-KBR-730	G1	59	5	35700-KRH-631	I5	95	1				
28282-KRM-840	F5	56	10	33117-KYY-901	G1	59	6	35750-KYE-900	E14	49	7	43000			
28293-KRM-860	I3	93	3	33120-KRH-601	G1	59	7	35751-KPH-900	F4	55	12				
28300-KRH-920	I3	93	4	33122-KRH-601	G1	59	8	35752-KRM-840	F4	55	13	43100-KRH-900ZA	H6	80	2
28333-KK0-000	I3	93	5	33301-KRH-631	G1	59	9	35850-KRH-A01	I13	103	7	43107-MAJ-G41	H1	75	3
				33301-KVJ-911	G1	59	9	35852-KRH-901	I13	103	8	43141-KRH-900	H6	80	3
30000				33400-KRH-601	I11	101	1	35856-KRH-901	I13	103	9	43142-KAS-890	H2	76	2
				33400-KRH-631	I11	101	1					43142-KRH-900	H6	80	4
30401-KRH-781	I14	104	1	33403-KRH-601	I11	101	2					43145-KRH-900	H6	80	5
30410-KRH-631	I14	104	2	33407-GGL-A01	I11	101	4								
30410-KRH-651	I14	104	2												

4

PART NO. INDEX

K 4

Part Number	Address	Page	Ref.	Part Number	Address	Page	Ref.	Part Number	Address	Page	Ref.	Part Number	Address	Page	Ref.
90003-KFG-000	E1	36	8	90227-GHR-690	H14	88	22	90543-MV9-670	E1	36	10	91203-KSP-910	E14	49	12
90003-KVS-900	F4	55	14	90231-GHR-600	J1	107	6	90544-KRF-H71	G13	71	18	91204-KSP-911	E7	42	10
90005-KY7-000	E5	40	8	90231-KRM-840	E13	48	11		G15	73	19	91216-KSP-910	F3	54	26
90008-KTT-900	E8	43	11	90301-088-660	I9	99	12	90545-300-000	G9	67	15	91251-GK4-003	H2	76	14
90012-KK3-830	E4	39	12	90301-GFM-890	I12	102	16	90546-KRH-900	G12	70	3	91251-KYY-900	H3	77	12
90022-KRM-840	F4	55	15	90301-MG8-000	I12	102	16	90559-KRH-900	H8	82	17	91253-033-003	H8	82	19
90031-KTT-900	E14	49	8	90302-KYA-601	H4	78	19	90602-KPT-900	F5	56	14	91254-KRH-901	G13	71	20
90035-KRM-840	E2	37	12		H6	80	10	90602-KRM-840	F5	56	15		G16	74	21
90035-KWK-900	E2	37	13	90302-MB2-000	I12	102	17	90602-KYY-900	F2	53	21	91256-KK3-840	G2	60	15
90071-K28-910	E12	47	7	90304-KYA-601	I8	98	6	90604-KTT-900	F1	52	19	91258-410-006	H5	79	22
				90305-KRH-650	I1	91	20	90650-KW3-000	G5	63	18	91258-410-013	H5	79	22
90071-MB0-000	E12	47	7	90305-KSP-900	I1	91	21		G8	66	24	91258-MCG-901	H5	79	22
90083-KRM-840	E5	40	9	90305-KYA-601	I6	96	15		I14	104	14	91258-MCG-902	H5	79	22
90084-KTT-900	E10	45	5	90306-KRM-840	E3	38	15	90651-KRF-H71	G13	71	19	91262-KRH-901	I8	98	8
90085-KTT-900	E9	44	7	90306-KYA-601	H2	76	13	90651-KRH-781	G15	73	20	91303-KRM-840	E10	45	8
90087-KRM-840	E10	45	6		H4	78	20	90651-KRH-900	I16	106	21	91304-KRM-840	E3	38	19
90091-KRM-840	E3	38	14	90307-KRH-901	H8	82	14	90651-KRM-R20	H10	84	19	91305-KPH-900	E14	49	13
90101-KRH-900	H15	89	17	90308-KRH-900	G10	68	13	90651-MA5-671	G9	67	16	91305-KRM-840	E10	45	9
90102-KRH-900	I15	105	13	90309-KFO-003	H8	82	15	90678-KRH-900	H15	89	19	91306-KRM-840	E5	40	10
90103-KRH-900	I15	105	14	90309-KRH-901	H8	82	15	90702-KRM-840	E1	36	11	91307-KRM-840	E7	42	11
90105-KRH-900	I15	105	15	90311-KRH-900	H14	88	23		E7	42	7	91308-KRH-651	E12	47	9
90106-KRH-900	G11	69	7		I9	99	13		E10	45	7	91309-425-003	E12	47	10
90107-MBL-610	I8	98	4	90322-KRH-900	G5	63	17		E13	48	13	91309-KVX-A00	E1	36	12
90107-MCN-610	G10	68	11		G8	66	23		E14	49	11	91309-KYY-931	E12	47	10
90108-KRH-780	I5	95	10	90381-KRH-900	H10	84	17	90703-KRH-900	E7	42	8	91309-MJO-003	E1	36	12
90108-KRH-900	I5	95	11	90402-KTT-900	E16	51	16	90703-KRM-840	E3	38	17	91320-KYY-931	E12	47	11
90110-KRH-900	H15	89	18	90403-KTT-900	E16	51	17		E6	41	5	91320-MBO-000	E12	47	11
90111-162-000	I9	99	11	90404-KPT-A00	E3	38	16	90704-KRM-840	E3	38	18				
90111-KRH-900	G10	68	12	90405-KTT-900	E8	43	13	90741-KFB-000	E15	50	8	91351-KRF-H71	G14	72	21
90112-GW3-000	I4	94	16	90417-KRM-840	F4	55	16		F1	52	20		G16	74	22
90112-KRH-900	H12	86	9	90432-KPT-A00	E13	48	12	90741-KGH-900	E15	50	9	91405-KRH-900	H15	89	20
90113-KRH-900	G5	63	16	90441-KRM-840	E14	49	10		F1	52	21	91406-166-000	I9	99	17
	G7	65	22	90451-KRM-840	F5	56	11	90755-229-003	H4	78	21	91501-MR4-900	J1	107	9
90114-166-006	G9	67	13	90453-KVX-600	F2	53	17	90755-229-005	H5	79	21				
90114-KRH-900	I15	105	16	90454-KTT-900	F2	53	18	90755-KRH-900	H5	79	21	92000			
90115-KRH-900	H14	88	21	90455-KRM-840	F5	56	12	90899-KRH-900	I9	99	16				
90116-KRF-H71	G13	71	16	90456-KTT-900	F2	53	19					92101-06020-0A	I3	93	17
	G15	73	17	90457-KRM-840	F4	55	17	91000					I14	104	15
90116-KRH-900	G1	59	15	90458-KVS-900	F2	53	20					93000			
	H10	84	16		F5	56	13	91001-KRM-842	E15	50	10				
90117-KRH-900	I1	91	19	90463-KRM-840	E1	36	9		F1	52	22				
90123-KRF-H71	G13	71	17	90501-KPT-A00	E8	43	14	91001-KSP-913	E15	50	10	93101-06010-0A	F3	54	27
	G15	73	18		E11	46	5		F1	52	22	93500-03020-0G	G16	74	23
90125-KZJ-900	H8	82	13		F1	52	18	91003-KTT-900	F2	53	22	93500-04032-0G	G5	63	19
90128-KGA-B90	H4	78	18	90501-KRH-900	I3	93	15	91003-KTT-C01	F2	53	22		G8	66	25
90131-KRH-900	H1	75	15	90502-KRH-780	I9	99	14	91004-KTN-900	F3	54	23	93500-04045-0G	G5	63	20
90131-KRM-840	E14	49	9	90503-KRH-900	G10	68	14	91004-KTT-900	F1	52	23		G8	66	26
90145-KRH-901	G9	67	14	90504-KRH-900	I12	102	18	91005-KTN-900	F3	54	24	93500-05016-0G	G5	63	21
90147-MCE-950	I5	95	12	90505-KRH-900	I6	96	16	91006-KTN-900	F3	54	25		G8	66	27
90154-KB7-700	I15	105	17		J1	107	7	91014-KTT-901	F3	54	24	93500-05018-0G	G14	72	22
90155-KRH-900	I8	98	5	90505-KRM-860	I3	93	16	91015-KRH-901	G11	69	8	93500-05020-0A	I12	102	19
90156-KK6-000	I15	105	18	90508-KRH-900	I9	99	15	91015-KTT-901	F3	54	23	93500-05020-0G	G6	64	22
90156-KRH-780	I16	106	19	90509-KRH-900	H10	84	18	91016-KTT-901	F3	54	25		G8	66	28
90158-KCJ-710	G2	60	14	90510-KRH-900	I16	106	20	91051-KPS-732	H8	82	20	93500-05028-0G	H14	88	25
90201-KRM-840	E11	46	4	90511-KRH-780	H8	82	16	91053-MAY-003	H8	82	18	93600-04012-1G	G9	67	17
	E16	51	15	90512-KRH-900	I6	96	17	91070-GC4-601	I6	96	18	93700-05012-0A	E13	48	14
90202-KRM-840	E8	43	12		J1	107	8	91072-KRH-901	I8	98	7	93700-05018-1A	G2	60	16
90203-MF9-710	I5	95	13	90522-KRH-900	H12	86	10	91104-KTT-901	E9	44	8	93892-04010-10	F7	58	27
90206-250-000	E4	39	13		H14	88	24	91202-KSP-910	E7	42	9	93892-04010-18	F7	58	28

4

PART NO. INDEX

K 5

Part Number	Address	Page	Ref.	Part Number	Address	Page	Ref.	Part Number	Address	Page	Ref.	Part Number	Address	Page	Ref.
95005-80035-20	H16	90	23	96001-06022-00	E5	40	12								
95014-22200	G10	68	15		G9	67	20								
95015-32001	G8	66	31	96001-06025-00	I12	102	23								
95015-42000	G8	66	32	96001-06030-00	E7	42	12								
	I3	93	21	96001-06035-00	E10	45	10								
95701-06012-00	G3	61	23	96001-06040-00	E7	42	13								
	G11	69	9		E10	45	11								
	H14	88	29	96001-06045-00	E10	45	12								
	I7	97	23	96100-60030-00	E8	43	15								
	J1	107	11	96140-63010-10	H3	77	13								
95701-06014-00	E3	38	21		H5	79	23								
	I2	92	25	96140-63030-10	H8	82	20								
	I14	104	16	96211-08000	I3	93	24								
95701-06016-00	E1	36	13	96220-30085	F4	55	19								
	E5	40	11	96600-06016-00	E11	46	6								
	E14	49	15	96600-06022-00	E11	46	7								
	F5	56	16												
	G16	74	24	98000											
	H16	90	24												
	I13	103	13	98200-31500	I13	103	14								
95701-06020-00	H16	90	25	98200-41000	I14	104	18								
	I3	93	22												
	I7	97	24	99000											
95701-06022-00	E12	47	13												
	I9	99	19	99001-10120	J1	107	12								
95701-06022-07	G8	66	33	99001-14170	J1	107	13								
95701-06025-00	G12	70	4	99003-10000	J1	107	14								
	H11	85	5	99003-30000	J1	107	15								
	I9	99	20	99003-50000	J1	107	16								
95701-06025-07	I5	95	14	99006-12000	J1	107	17								
95701-06035-00	E13	48	17	99006-24000	J1	107	18								
	H2	76	16	99008-01600	J1	107	19								
95701-06040-00	E14	49	16	99101-GHB-1000	F7	58	32								
95701-06045-00	E14	49	17	99101-GHB-1050	F7	58	32								
95701-06070-00	E14	49	18	99103-KRH-0350	F7	58	33								
95701-08012-07	I14	104	17												
95701-08016-00	I16	106	25												
95701-08018-00	I4	94	19												
	I9	99	21												
95701-08030-07	I2	92	26												
95701-08032-00	H10	84	21												
95701-08035-00	H6	80	11												
	I3	93	23												
95701-08045-00	I10	100	22												
95701-08045-07	G10	68	16												
	I2	92	27												
95801-06105-00	E3	38	22												
96000															
96001-06010-02	I2	92	28												
96001-06010-07	I2	92	29												
	I5	95	15												
96001-06012-00	E1	36	14												
96001-06016-00	G14	72	24												
96001-06018-00	E14	49	19												
	H10	84	22												
96001-06018-07	I10	100	23												
96001-06020-00	E14	49	20												

4

PART NAME INDEX

L 1

Part name	Address	Page	Ref.	Part name	Address	Page	Ref.	Part name	Address	Page	Ref.
[A]											
ADJUSTER, CHAIN	I6	96	3	BOLT, FLANGE, 10X110	I15	105	15	BOLT, FLANGE, 8X12	I14	104	17
ARM ASSY., KICK STARTER	I3	93	4	BOLT, FLANGE, 10X52	I8	98	5	BOLT, FLANGE, 8X16	I16	106	25
ARM COMP., VALVE ROCKER	E4	39	3	BOLT, FLANGE, 5X14	E2	37	11	BOLT, FLANGE, 8X18	I4	94	19
ARM, FR. BRAKE	H2	76	11	BOLT, FLANGE, 6MM	G1	59	15		I9	99	21
ARM, RR. BRAKE	H6	80	7		H10	84	16	BOLT, FLANGE, 8X30	I2	92	26
AXLE, FR. WHEEL	H3	77	3		H14	88	21	BOLT, FLANGE, 8X32	H10	84	21
	H4	78	3		H15	89	17	BOLT, FLANGE, 8X35	G11	69	7
AXLE, RR. WHEEL	H7	81	4						H6	80	11
				BOLT, FLANGE, 6X10	I2	92	28		I3	93	23
								BOLT, FLANGE, 8X36	G10	68	12
								BOLT, FLANGE, 8X40	H1	75	15
[B]									I1	91	19
BAG, TOOL, 160MM	J1	107	19	BOLT, FLANGE, 6X105	E3	38	22	BOLT, FLANGE, 8X45	G10	68	16
BALL, STEEL, #8	I3	93	24	BOLT, FLANGE, 6X12	E1	36	14		I2	92	27
BAND, AIR CLEANER CONNECTING					G3	61	23		I10	100	22
TUBE	H13	87	13		G11	69	9	BOLT, FLANGE, 8X56	I15	105	13
					H14	88	29	BOLT, FLANGE, 8X68	I16	106	19
BAND, BATTERY	I13	103	3		I7	97	23	BOLT, FLANGE, 8X73	I15	105	17
BAND, EX. PIPE	I1	91	13	BOLT, FLANGE, 6X14	J1	107	11	BOLT, FLANGE, 8X88	I15	105	14
BAND, FR. FORK BOOT	G15	73	16		E3	38	21	BOLT, FLANGE, 8X96	I15	105	18
BAND, WIRE	G5	63	18		I2	92	25	BOLT, FR. FORK	G13	71	17
	G8	66	24		I4	94	16		G15	73	18
	I14	104	14	BOLT, FLANGE, 6X16	I14	104	16	BOLT, HANDLE LEVER PIVOT	G5	63	16
	I16	106	21		E1	36	13		G7	65	22
BAR COMP., SIDE STAND	I5	95	2		E5	40	11		G9	67	13
					E14	49	15	BOLT, HEX., 6X10	F3	54	27
					F5	56	16	BOLT, HEX., 6X20	F4	55	14
BAR, L. PILLION STEP	I4	94	13		G14	72	24		I3	93	17
BAR, R. PILLION STEP	I4	94	12		G16	74	24		I14	104	15
BASE COMP., NUMBER PLATE	I9	99	7		H16	90	24	BOLT, KNOCK, 5MM	E5	40	9
BASE COMP., TAILLIGHT	I12	102	4		I13	103	13	BOLT, L. CRANKCASE COVER	E1	36	8
BATTERY	I13	103	2	BOLT, FLANGE, 6X18	E14	49	19	BOLT, OIL, 10X22	G9	67	14
BEARING, BALL RADIAL, 6303U ..	H8	82	20		H10	84	22	BOLT, ONE-WAY, 8MM	G10	68	11
BEARING, HEAD PIPE	G11	69	8	BOLT, FLANGE, 6X20	I10	100	23	BOLT, SETTING	E12	47	4
BEARING, NEEDLE, 17X24X20	I8	98	7		E14	49	20	BOLT, SIDE STAND PIVOT	I5	95	10
BEARING, NEEDLE, 20X26X20	I6	96	18		H16	90	25				
BEARING, NEEDLE, 22X29X16.8 ..	E9	44	8		I3	93	22	BOLT, SOCKET, 10X57	I8	98	4
BEARING, RADIAL BALL, 12X32X10	F3	54	24		I7	97	24	BOLT, SOCKET, 6MM	E9	44	7
BEARING, RADIAL BALL, 17X40X12	F3	54	23	BOLT, FLANGE, 6X22	E5	40	12	BOLT, SOCKET, 6X16	E11	46	6
BEARING, RADIAL BALL, 17X42X12	F2	53	22		E12	47	13	BOLT, SOCKET, 6X22	E11	46	7
BEARING, RADIAL BALL, 20X47X14	F3	54	25		G8	66	33	BOLT, SOCKET, 8X30	G13	71	16
BEARING, RADIAL BALL, 6003	E8	43	15		G9	67	20		G15	73	17
BEARING, RADIAL BALL, 6201U	F3	54	24		I9	99	19	BOLT, SPECIAL, 6X14	H12	86	9
BEARING, RADIAL BALL, 6202 SPL	F1	52	23	BOLT, FLANGE, 6X25	E8	43	11	BOLT, SPECIAL, 6X16	I5	95	12
BEARING, RADIAL BALL, 6203	F3	54	23		G12	70	4	BOLT, SPROCKET FIXING	H8	82	13
BEARING, RADIAL BALL, 6203UU ..	H8	82	18		H11	85	5	BOLT, STUD, 2, 6X16	H4	78	18
BEARING, RADIAL BALL, 6204	F3	54	25		I5	95	14	BOLT, STUD, 6X19	E2	37	13
BEARING, RADIAL BALL, 6301U	H3	77	13		I9	99	20	BOLT, STUD, 8X22	E2	37	12
	H5	79	23		I12	102	23	BOLT, SWINGARM PIVOT	I6	96	5
BEARING, RADIAL BALL, 6303U	H8	82	20	BOLT, FLANGE, 6X30	E7	42	12	BOLT, WIRE ADJUSTING	G5	63	15
BEARING, ROLLER, 30X58X17	E15	50	10	BOLT, FLANGE, 6X35	E10	45	10		G7	65	21
	F1	52	22		E13	48	17	BOOT B	H1	75	10
BODY COMP., FRAME	I15	105	1		H2	76	16	BOOT COMP.	G9	67	4
BODY, KEY	J1	107	3	BOLT, FLANGE, 6X40	E7	42	13	BOOT, FR. FORK	G15	73	15
BOLT A, PIN	H1	75	8		E10	45	11	BOOT, PIN BUSH	H1	75	9
BOLT, BREAK OFF	I15	105	16		E14	49	16	BOX ASSY., SPEEDOMETER GEAR ..	H4	78	14
BOLT, CYLINDER STUD, 8X140	E14	49	8	BOLT, FLANGE, 6X45	E10	45	12	BOX, TOOL	J1	107	1
BOLT, DRAIN PLUG, 12MM	E14	49	9		E14	49	17	BRACKET COMP., L. PILLION STEP	I4	94	9
BOLT, FLANGE SOCKET, 6X22	E3	38	14	BOLT, FLANGE, 6X70	E14	49	18	BRACKET COMP., R. PILLION STEP	I4	94	8

PART NAME INDEX

L 2

Part name	Address	Page	Ref.	Part name	Address	Page	Ref.	Part name	Address	Page	Ref.
BRACKET SUB ASSY., L. FR.	H1	75	12	CASE SUB ASSY., AIR CLEANER ...	H13	87	4	COLLAR, FR. WHEEL.....	H4	78	5
BRACKET, AIR SUCTION VALVE ...	H15	89	15	CASE, DRIVE CHAIN.....	I6	96	1	COLLAR, FR. WHEEL SIDE.....	H3	77	4
BRACKET, L. HANDLE LEVER	G5	63	11	CASE, L. BOTTOM.....	G13	71	15	COLLAR, FUEL TANK MOUNTING....	H9	83	5
	G7	65	16		G15	73	14	COLLAR, KICK SPRING.....	F5	56	10
BRACKET, NUMBER PLATE	I12	102	15	CASE, R. BOTTOM.....	G13	71	9	COLLAR, LOCK SETTING.....	H15	89	16
BRACKET, R. HANDLE LEVER	G7	65	15		G15	73	8		I1	91	17
BRIDGE COMP., FORK TOP	G10	68	7	CASE, WATER INLET.....	H15	89	14	COLLAR, MUFFLER MOUNTING.....	I1	91	16
BULB.....	I11	101	9	CENTER, CLUTCH.....	E8	43	3	COLLAR, RR. AXLE DISTANCE.....	H7	81	6
BULB, HEADLIGHT.....	G1	59	10	CHAIN, CAM.....	E5	40	2	COLLAR, RR. FENDER.....	I9	99	14
BULB, LICENSE.....	I12	102	9	CHAIN, DRIVE.....	I6	96	2	COLLAR, RR. WHEEL.....	H7	81	5
BULB, POSITION LIGHT.....	G1	59	9	CHAMBER SET, FLOAT.....	F6	57	5	COLLAR, R. CRANKSHAFT.....	E15	50	6
BULB, TAIL & STOP LIGHT.....	I12	102	10	CIRCLIP.....	G9	67	16	COLLAR, SEAT SETTING.....	H11	85	1
BULB, WEDGE BASE.....	G2	60	1	CIRCLIP, 20MM.....	F2	53	21	COLLAR, SETTING.....	F7	58	23
				CIRCLIP, EXTERNAL, 14MM.....	F4	55	18	COLLAR, SIDE MOUNTING.....	H10	84	18
BULB, WINKER LIGHT.....	I11	101	9	CIRCLIP, EXTERNAL, 16MM.....	F5	56	14	COLLAR, STAND RUBBER SETTING..	I5	95	9
BUSH, 17X20.5X8.0.....	F2	53	4	CIRCLIP, EXTERNAL, 17MM.....	F5	56	15	COLLAR, STARTER REDUCTION.....	E9	44	6
	F5	56	1	CIRCLIP, EXTERNAL, 28.....	F1	52	19	COLLAR, SWINGARM PIVOT CENTER			
BUSH, 20MM.....	F2	53	6	CLAMP.....	G2	60	9	DISTANCE	I6	96	6
				CLAMPER A, BRAKE HOSE.....	G13	71	2	COLLAR, TAILLIGHT MOUNTING....	I12	102	2
BUSH, BALANCER DRIVEN GEAR ...	E16	51	9	CLAMPER, A.C. GENERATOR CORD..	E11	46	3				18
				CLAMPER, SPEEDOMETER CABLE....	G13	71	1	COLLAR, UPPER ENGINE HANGER			
[C]				CLAMP, TUBE.....	H14	88	28	MOUNT	I15	105	4
					H15	89	20	COTTER, VALVE.....	E4	39	11
CABLE ASSY., SPEEDOMETER.....	G2	60	11	CLIP C9, TUBE.....	H10	84	19	COUNTERSHAFT COMP.....	F2	53	2
CABLE COMP., CLUTCH.....	G5	63	2	CLIP, BREATHER TUBE.....	H13	87	16	COVER COMP., CYLINDER HEAD....	E1	36	1
	G7	65	2		H15	89	3	COVER COMP., LICENSE.....	I12	102	7
CABLE COMP., FR. BRAKE.....	G7	65	7	CLIP, HOSE.....	H15	89	19	COVER COMP., L. RR.....	E10	45	2
CABLE COMP., THROTTLE.....	G5	63	1	CLIP, KICK STARTER ARM.....	I3	93	3	COVER COMP., R. CRANKCASE....	E7	42	1
	G7	65	1	CLIP, OIL DRAIN TUBE.....	H15	89	2	COVER SET, L. SIDE.....	H12	86	8
CABLE, BATTERY EARTH.....	I13	103	6	CLIP, PISTON PIN, 13MM.....	E15	50	5	COVER SET, R. SIDE.....	H12	86	3
CABLE, STARTER MAGNETIC				CLIP, PISTON PIN, 14MM.....	E16	51	5				4
BATTERY	I13	103	4	CLIP, PULSER CORD.....	E2	37	10	COVER SUB ASSY., AIR CLEANER..	H13	87	9
CABLE, STARTER MOTOR.....	I13	103	5	CLIP, TUBE.....	F7	58	30	COVER, BRAKE HOSE CLAMPER....	G9	67	3
CALIPER SUB ASSY., L. FR.	H1	75	11				31	COVER, CARBURETOR HEATER.....	F6	57	17
CAMSHAFT COMP.....	E4	39	2		H10	84	20	COVER, L. CRANKCASE.....	E10	45	1
CAM, FR. BRAKE.....	H2	76	9		H13	87	1	COVER, L. FR. SIDE.....	H12	86	7
CAM, RR. BRAKE.....	H6	80	3		H15	89	22	COVER, L. HANDLE LEVER.....	G5	63	13
CAP ASSY., NOISE SUPPRESSOR ..	I14	104	4	CLIP, VALVE GUIDE.....	E2	37	5		G7	65	19
CAP COMP., FUEL FILLER.....	H9	83	8	CLIP, WIRE.....	I9	99	17	COVER, L. SIDE.....	H12	86	6
CAP, 14MM.....	E10	45	5	CLUTCH, ONE WAY.....	E9	44	2	COVER, RR. BRAKE ARM.....	H6	80	8
CAP, 32MM.....	E10	45	6	COCK ASSY., FUEL.....	H9	83	1	COVER, R. FR. SIDE.....	H12	86	1
CAP, AXLE NUT.....	H2	76	4	COIL COMP., IGNITION.....	I14	104	3	COVER, R. HANDLE LEVER.....	G7	65	14
	H4	78	4	COLLAR C.....	I9	99	15	COVER, SOCKET.....	G1	59	8
CAP, BLEEDER.....	H1	75	5	COLLAR, 10MM.....	E1	36	5	COWL SET, RR.....	I9	99	4
CAP, CABLE SEALING.....	F6	57	16	COLLAR, 18.5MM.....	F5	56	3	CRANKCASE COMP., L.....	E14	49	3
CAP, CHANGE SWITCH CONTACT....	F4	55	12	COLLAR, 6.5X4.....	I4	94	15	CRANKCASE COMP., R.....	E14	49	1
CAP, MASTER CYLINDER.....	G9	67	6	COLLAR, BALANCER DRIVEN GEAR..	E16	51	12	CRANKSHAFT COMP.....	E15	50	1
CAP, NUMBER BRACKET.....	I9	99	9	COLLAR, CARBURETOR HEATER					E16	51	1
CAP, NUMBER PLATE BASE COMP. .	I9	99	10	COVER	F6	57	18	CUSHION A.....	H9	83	10
CAP, OIL FILTER ROTOR.....	E13	48	7	COLLAR, CHAIN GUARD.....	I6	96	9	CUSHION ASSY., RR.....	I8	98	1
CAP, RR. FORK END.....	I6	96	4	COLLAR, CHAIN ROLLER.....	I6	96	13	CUSHION, C.D.I. UNIT.....	I14	104	1
CAP, SPECIAL.....	G1	59	6	COLLAR, CHAMBER RR.....	I1	91	7	CUSHION, FUEL STRAINER.....	H15	89	5
CAP, STEERING STEM.....	G10	68	6	COLLAR, CUSHION CONNECTING ROD	I8	98	2	CUSHION, FUEL TANK FR.....	H9	83	6
CAP, SWINGARM DUST SEAL.....	I6	96	7	COLLAR, ENGINE MOUNT.....	I15	105	3	CUSHION, FUEL TANK RR.....	H9	83	7
CAP, TOOL BOX.....	J1	107	2	COLLAR, FENDER COVER.....	I12	102	13	CUSHION, TAILLIGHT.....	H11	85	4
CARBURETOR ASSY.....	F6	57	14	COLLAR, FENDER MOUNTING.....	G12	70	2	CUSHION, VISOR.....	G1	59	13
CARRIER COMP., RR.....	I9	99	5	COLLAR, FR. AXLE DISTANCE.....	H3	77	5	CYLINDER COMP.....	E6	41	1
CASE ASSY., UNDER.....	G2	60	8	COLLAR, FR. FENDER SETTING....	H4	78	6	CYLINDER SET, MASTER.....	G9	67	11
CASE ASSY., UPPER.....	G2	60	6		I13	103	10				

PART NAME INDEX

L 3

Part name	Address	Page	Ref.	Part name	Address	Page	Ref.	Part name	Address	Page	Ref.
CYLINDER SUB ASSY., FR. BRAKE MASTER	G9	67	5	GASKET, CARBURETOR INSULATOR	E2	37	8	HARNESS, WIRE	I14	104	8
C.D.I. UNIT COMP., DIGITAL	I14	104	2	GASKET, CYLINDER	E6	41	2	HEADLIGHT UNIT	G1	59	7
[D]				GASKET, CYLINDER HEAD	E2	37	6	HEAD COMP., CYLINDER	E2	37	1
DIAPHRAGM	G9	67	9	GASKET, EX. PIPE	I1	91	1	HEATER ASSY.	F6	57	11
DISK, CLUTCH FRICTION	E8	43	4	GASKET, FLOAT CHAMBER	F7	58	20	HOLDER ASSY., HELMET	I15	105	10
				GASKET, HEAD COVER	E1	36	2	HOLDER B2, HANDLE PIPE UPPER	G10	68	15
DISK, L. FR. BRAKE	H4	78	17	GASKET, L. COVER	E10	45	4	HOLDER COMP., CAMSHAFT	E2	37	3
DOWEL PIN, 10X12	E3	38	17	GASKET, OIL FILTER CAP	E13	48	10	HOLDER COMP., FUSE	I13	103	8
	E6	41	5	GASKET, R. CRANKCASE COVER	E7	42	2	HOLDER SET, BRUSH	E12	47	5
DOWEL PIN, 6X10	E3	38	18	GASKET, TENSIONER LIFTER	E5	40	6	HOLDER, BRUSH	E12	47	5
DOWEL PIN, 8X14	E1	36	11	GAUGE, OIL LEVEL	E7	42	3	HOLDER, JET	F7	58	22
	E7	42	7	GEAR COMP., OIL PUMP	E13	48	2	HOLDER, L. LEVER BRACKET	G5	63	12
	E10	45	7	GEAR, BALANCER DRIVE	E16	51	6		G7	65	17
	E13	48	13	GEAR, BALANCER DRIVEN	E16	51	8	HOLDER, MASTER CYLINDER	G7	65	8
	E14	49	11	GEAR, COUNTERSHAFT FIFTH	F2	53	14		G9	67	7
DRIVER 1, PLUS SCREW	J1	107	14	GEAR, COUNTERSHAFT FOURTH	F2	53	12	HOLDER, NEEDLE JET	F7	58	21
DRIVER 3, MINUS SCREW	J1	107	15	GEAR, COUNTERSHAFT LOW	F2	53	3	HORN COMP.	I14	104	10
DRUM, GEARSHIFT	F4	55	5	GEAR, COUNTERSHAFT SECOND	F2	53	8	HOSE COMP., FR. BRAKE	G9	67	2
DUCT, INLET	H13	87	12	GEAR, COUNTERSHAFT THIRD	F2	53	10	HOUSING, LOWER THROTTLE	G5	63	9
DUST SEAL, 17X20X2.5	I3	93	14	GEAR, KICK STARTER IDLE	F5	56	7		G7	65	12
DUST SEAL, 17X24X4	I8	98	8	GEAR, MAINSHAFT FIFTH	F2	53	13	HOUSING, UPPER THROTTLE	G5	63	8
DUST SEAL, 21X37X7	H3	77	12	GEAR, MAINSHAFT FOURTH	F2	53	11		G7	65	11
DUST SEAL, 40X50X5	H5	79	22	GEAR, MAINSHAFT SECOND	F2	53	5	HUB SUB ASSY., FR.	H3	77	6
DUST SEAL, BRAKE CAM	H2	76	8	GEAR, MAINSHAFT THIRD	F2	53	9		H4	78	7
	H6	80	9	GEAR, PRIMARY DRIVE	E15	50	7	HUB SUB ASSY., RR.	H7	81	7
DUST SEAL, STEERING HEAD	G11	69	3		E16	51	14	[I]			
			4	GEAR, SPEEDOMETER	H2	76	5	INDICATOR, FR. BRAKE	H2	76	10
[E]					H4	78	15	INDICATOR, RR. BRAKE	H6	80	5
ELEMENT COMP., AIR CLEANER	H13	87	2	GEAR, STARTER DRIVEN	E9	44	1	INNER, FR. VISOR	G1	59	14
EMBLEM, PRODUCT	G10	68	10	GEAR, STARTER REDUCTION	E9	44	4	INSULATOR, CARBURETOR	E2	37	7
				GRIP ASSY., THROTTLE	G5	63	6	[J]			
					G7	65	9	JET COMP.	F7	58	33
				GRIP, L. HANDLE	G5	63	7	JET, MAIN, #100	F7	58	32
					G7	65	10	JET, MAIN, #105	F7	58	32
				GRIP, SCREW DRIVER	J1	107	16	JOINT B, BRAKE ARM	G8	66	31
				GROMMET A, RR. COVER	H15	89	1		I3	93	10
				GROMMET, SIDE COVER	H10	84	15	JOINT, SHROUD	H9	83	11
					H12	86	5	[K]			
				GUARD, CHAIN	I9	99	6	KEY COMP.	G10	68	3
FENDER, FR.	G12	70	1	GUARD, MUFFLER	I1	91	10	KEY SET	G10	68	1
FILTER COMP., AIR	H15	89	6	GUARD, SIDE COWL HEAT	H12	86	2	KEY, WOODRUFF, 4MM	E15	50	8
FLAP, TIRE	H3	77	11	GUARD, SIDE STAND SWITCH	I5	95	7		F1	52	20
	H4	78	13	GUIDE COMP., AIR SUCTION VALVE							
	H8	82	12		TUBE	E1	36				
FLOAT SET	F6	57	3	GUIDE COMP., BRAKE HOSE	G10	68	4	KNOB, TRIP	G2	60	5
FLYWHEEL COMP.	E11	46	1	GUIDE COMP., DRIVE CHAIN	E10	45	3	[L]			
FORK ASSY., L. FR.	G13	71	14	GUIDE, BRAKE CABLE LOWER	G11	69	2	LABEL, AIR CLEANER ELEMENT	J2	108	5
	G15	73	13	GUIDE, CAM CHAIN	E5	40	7	NOTICE	J3	109	4
FORK ASSY., R. FR.	G13	71	3	GUIDE, CLUTCH OUTER	E8	43	2	LABEL, CARGO LIMIT	J3	109	5
	G15	73	2	GUIDE, FR. FORK	G13	71	8	LABEL, CHAIN ADJUSTER	J2	108	4
FORK, CENTER GEARSHIFT	F4	55	2		G15	73	7				
FORK, GEARSHIFT	F4	55	1	GUIDE, SPEEDOMETER CABLE	G11	69	1				
FUSE, BLADE	I13	103	14		G15	73	1				
FUSE, MINI	I14	104	18	GUIDE, VALVE	E2	37	2				
[G]				[H]							
GASKET B, HEAD COVER	E1	36	3	HANDLE, EYE WRENCH, 12MM	J1	107	17				
GASKET C, HEAD COVER	E1	36	4								
GASKET SET	F6	57	1								

PART NAME INDEX

L 4

Part name	Address	Page	Ref.	Part name	Address	Page	Ref.	Part name	Address	Page	Ref.
LABEL, CHAIN ADJUSTER	J3	109	3	NUT, FLANGE, 6MM	G8	66	30	OUTER, STARTING CLUTCH	E9	44	3
LABEL, DRIVE CAUTION	J2	108	6		G9	67	19	O RING, 24.4X3.1	E12	47	10
LABEL, DRIVE CHAIN	J2	108	3		H2	76	15				
	J3	109	2		H4	78	19	[P]			
LABEL, FUEL & DRIVE	J3	109	6		H6	80	10	PACKING	E12	47	9
LABEL, RR. CARRIER	J2	108	1		H15	89	21		I11	101	4
LABEL, RR. DAMPER	I8	98	3		I7	97	22	PACKING, MUFFLER	I1	91	14
LABEL, TIRE	J2	108	2	NUT, FLANGE, 8MM	I12	102	21	PACKING, PROTECTOR	I1	91	2
	J3	109	1		H8	82	15				
LENS COMP., L.	I11	101	6		I1	91	22	PACKING, TAILLIGHT LENS	I12	102	3
LENS COMP., R.	I11	101	2		I9	99	18	PAD SET, FR.	H1	75	2
LENS COMP., TAILLIGHT	I12	102	5		I16	106	23	PANEL COMP., RR. BRAKE	H6	80	2
LEVER COMP., CLUTCH	E7	42	4	NUT, HEX., 10MM	I16	106	22	PANEL SUB COMP., FR. BRAKE	H2	76	7
LEVER SET, CHOKE	F6	57	8	NUT, HEX., 5MM	G14	72	23	PEDAL COMP., BRAKE	I3	93	12
LEVER, L. STEERING HANDLE	G5	63	14	NUT, HEX., 6MM	I3	93	18	PEDAL COMP., CHANGE	I3	93	1
	G7	65	20		I13	103	11	PIECE, OIL LOCK	G13	71	10
LEVER, R. STEERING HANDLE	G7	65	18	NUT, HEX., 8MM	I6	96	20		G15	73	9
	G9	67	12	NUT, LOCK	I7	97	21	PINION, KICK STARTER	F5	56	2
LIFTER ASSY., TENSIONER	E5	40	5		G4	62	1	PIN C, JOINT	I3	93	9
LIGHT ASSY., LICENSE	I12	102	6	NUT, LOCK, 14MM	E13	48	11	PIN, HANGER	H1	75	14
[M]				NUT, SIDE STAND	I5	95	13	PIN, LOCK, 8MM	E13	48	16
MAINSHAFT COMP.	F2	53	1	NUT, SPECIAL FLANGE, 14MM	E8	43	12	PIN, MAIN STEP BAR JOINT	I4	94	1
MARK, FR.	J4	110	2	NUT, SPECIAL, 4MM	I12	102	17	PIN, PISTON	E15	50	4
MARK, RR.	J4	110	1	NUT, SPECIAL, 5MM	I12	102	16		E16	51	4
METER ASSY., COMBINATION	G2	60	3	NUT, SPECIAL, 6MM	I9	99	12	PIN, SHIFT RETURN SPRING	F4	55	11
MIRROR COMP., L.	G4	62	4	NUT, SPECIAL, 8MM	I1	91	20	PIN, SPLIT, 2.0X12	I3	93	19
MIRROR COMP., R.	G4	62	3	NUT, SQUARE, 5MM	H13	87	14	PIN, SPLIT, 2.0X15	I4	94	18
MOTOR ASSY., STARTER	E12	47	1	NUT, STEERING STEM	G10	68	13	PIN, SPLIT, 3.0X28	I3	93	20
MUFFLER SUB ASSY.	I1	91	5	NUT, TAPPET ADJUSTING	E4	39	13	PIN, SPLIT, 3.0X45	J1	107	10
[N]				NUT, U, 8MM	H8	82	15	PIN, SPRING, 2X14	J1	107	9
NEEDLE SET, JET	F6	57	2	[O]				PIN, SPRING, 3X10	E7	42	8
NUT-WASHER, 6MM	E12	47	7	OIL SEAL, 12X18X4	E7	42	9	PIN, STEP BAR JOINT	I4	94	2
			8	OIL SEAL, 14X22X5	E14	49	12	PIPE COMP., AIR FEED	E1	36	6
NUT B, BRAKE ROD ADJUSTING	G8	66	32	OIL SEAL, 16X28X7	E7	42	10	PIPE COMP., EX.	I1	91	6
	I3	93	21	OIL SEAL, 20X34X7	F3	54	26	PIPE COMP., FR. FORK	G13	71	5
NUT, BEAM ADJUSTING	G1	59	5	OIL SEAL, 21X37X7	H4	78	21		G15	73	4
NUT, CAP, 6MM	G2	60	21		H5	79	21	PIPE, L. SUPPORT	I15	105	12
NUT, CLIP, 6MM	H14	88	23	OIL SEAL, 25X47X6.5	H8	82	19	PIPE, R. SUPPORT	I15	105	11
	I9	99	13	OIL SEAL, 47X60X7	H2	76	14	PIPE, SEAT	G13	71	12
NUT, CYLINDER HEAD	E3	38	15	O-RING	E12	47	11	PIPE, STEERING HANDLE	G10	68	5
NUT, EXHAUST PIPE, 8MM	I1	91	21	O-RING, 10X1.5	G2	60	15	PISTON	E15	50	3
NUT, FIXING	G5	63	17	O-RING, 13.8X2.5	E10	45	8		E16	51	3
	G8	66	23	O-RING, 18X3	E7	42	11	PISTON, 27X31	H1	75	3
NUT, FLANGE, 10MM	I8	98	6	O-RING, 19.4X2.3	E14	49	13	PIVOT, SHIFT DRUM STOPPER ARM	F4	55	15
	I11	101	10	O-RING, 1.3X4.3	F6	57	12	PLATE A2, FIXING	F2	53	16
	I16	106	24	O-RING, 1.5X9.5	E5	40	10	PLATE COMP., GEARSHIFT DRUM			
NUT, FLANGE, 12MM	H2	76	13	O-RING, 22X2.8	G14	72	21	STOPPER	F4	55	6
	H4	78	20		G16	74	22	PLATE, BEARING HOLDER	E14	49	10
NUT, FLANGE, 14MM	E11	46	4	O-RING, 24.4X3.1	E12	47	10	PLATE, BEARING PUSH	E14	49	6
	E16	51	15	O-RING, 2.4X29	F6	57	13	PLATE, CLUTCH	E8	43	6
	I6	96	15	O-RING, 31.7X2.4	E10	45	9	PLATE, CLUTCH LIFTER	E8	43	8
NUT, FLANGE, 16MM	H8	82	14	O-RING, 33.5X3.0	E3	38	19	PLATE, CLUTCH PRESSURE	E8	43	7
NUT, FLANGE, 5MM	I12	102	16	O-RING, 4X2	E12	47	11	PLATE, DIAPHRAGM	G9	67	10
NUT, FLANGE, 6MM	E3	38	20					PLATE, HEADLIGHT UNIT	G1	59	12
	G6	64	24	O-RING, 9.8X2.8	E1	36	12	PLATE, KICK STOPPER	F5	56	4
				OUTER COMP., CLUTCH	E8	43	1	PLATE, L. BEARING SETTING	E14	49	2
								PLATE, L. ENGINE HANGER UPPER	I15	105	6

5

PART NAME INDEX

L 5

Part name	Address	Page	Ref.	Part name	Address	Page	Ref.	Part name	Address	Page	Ref.
PLATE, L. FR. ENGINE HANGER ..	I15	105	8	RUBBER, INSERT	E6	41	4	SCREW, TAPPING, 4X35	I12	102	20
PLATE, L. RR. ENGINE HANGER ..	I15	105	9	RUBBER, MOUNTING	E1	36	10	SCREW, TAPPING, 4X8	E13	48	15
PLATE, PILLION STEP	I4	94	11	RUBBER, MUFFLER MOUNTING	I1	91	15	SCREW, TAPPING, 5X16	H14	88	26
PLATE, R. ENGINE HANGER UPPER	I15	105	5	RUBBER, PILLION STEP	I4	94	10	SCREW, TAPPING, 5X25	H14	88	27
PLATE, R. FR. ENGINE HANGER ..	I15	105	7	RUBBER, PROTECTOR	I1	91	4	SCREW, TAPPING, 5X8	I6	96	19
PLATE, SETTING	F6	57	15	RUBBER, PROTECTOR MOUNTING	I1	91	12	SEAL SET, FR. FORK	G13	71	13
PLATE, STEP RUBBER SETTING ...	I4	94	7	RUBBER, RADIATOR MOUNTING	G1	59	1	SEAL SET, PISTON	H1	75	1
PLATE, STOPPER	E2	37	4	RUBBER, SEAT HINGE	I12	102	12	SEAL, AIR CLEANER	H13	87	6
PLATE, TENSIONER SETTING	E5	40	4	RUBBER, SHOCK	I13	103	9	SEAL, DUST	G13	71	20
PLUG, BEARING PUSH	E14	49	4	RUBBER, SIDE COVER	I1	91	18	SEAL, SEPARATOR	H13	87	3
PLUG, BEATHER TUBE	H13	87	18	RUBBER, SPEEDOMETER	H10	84	14	SEAL, VALVE STEM	E4	39	1
PLUG, CONE	I9	99	16	RUBBER, SPEEDOMETER MOUNTING ..	I9	99	3	SEAT COMP., DOUBLE	H11	85	2
PLUG, PIN	H1	75	13	RUBBER, STAND	I5	95	8	SEAT, RR. BRAKE CAM	H2	76	2
PLUG, SPARK	E2	37	9	RUBBER, STEP	I4	94	6	SEAT, VALVE SPRING	H6	80	4
PROTECTOR COMP., MUFFLER	I1	91	11	RUBBER, TAILLIGHT	I9	99	1	SEPARATOR COMP.	E4	39	10
PROTECTOR, EX. PIPE	I1	91	9	RUBBER, TANK GUARD	I15	105	2	SEPARATOR SUB ASSY., AIR	G9	67	8
PUMP ASSY., OIL	E13	48	1					CLEANER	H13	87	11
[R]				[S]				SHAFT A, GEARSHIFT FORK	F4	55	3
RATCHET, STARTER	F5	56	5	SCREEN, OIL FILTER	E13	48	5	SHAFT B, GEARSHIFT FORK	F4	55	4
RECEIVER, CLUTCH CABLE	E7	42	6	SCREW-WASHER, 4X10	F7	58	27	SHAFT, BALANCER	E16	51	7
RECTIFIER ASSY., SILICON	I14	104	7					SHAFT, REDUCTION GEAR	E9	44	5
RECTIFIER COMP., REGULATE	I14	104	5	SCREW-WASHER, 4X12	G2	60	17	SHAFT, ROCKER ARM	E4	39	4
RECTIFIER COMP., SILICON	I14	104	6					SHOE SET, BRAKE	H2	76	1
REFLECTOR, FR. REFLEX	I9	99	2	SCREW-WASHER, 4X16	F7	58	29		H6	80	1
REFLECTOR, REFLEX	I9	99	2	SCREW SET A	F6	57	6	SHROUD SET, L. TANK	H9	83	13
RELAY COMP., WINKER	I12	102	8	SCREW SET B	F6	57	9		H10	84	13
RESONATOR	H13	87	20	SCREW, BLEEDER	H1	75	4	SHROUD SET, R. TANK	H9	83	12
RETAINER	H1	75	7	SCREW, FLAT, 4X12	G9	67	17	SLIDER, CHAIN	I6	96	10
RETAINER, GEAR BOX	H4	78	9	SCREW, OVAL, 5X12	E13	48	14	SLIDER, THROTTLE	G5	63	10
RETAINER, VALVE SPRING	E4	39	9	SCREW, OVAL, 5X18	G2	60	16		G7	65	13
RIM, FR. WHEEL	H3	77	8	SCREW, PAN, 2X6	G2	60	14	SOCKET COMP.	G2	60	7
	H4	78	10	SCREW, PAN, 3X20	G16	74	23	SOCKET COMP., HEADLIGHT	G1	59	4
RIM, RR. WHEEL	H7	81	9	SCREW, PAN, 4X32	G5	63	19	SPACER B, BATTERY	H13	87	5
RING	E12	47	6					SPANNER, 10X12	J1	107	12
RING SET, PISTON	E15	50	2	SCREW, PAN, 4X45	G5	63	20	SPANNER, 14X17	J1	107	13
	E16	51	2					SPEEDOMETER COMP.	G2	60	4
RING, OIL SEAL STOP	G15	73	20	SCREW, PAN, 4X60	G1	59	2	SPINDLE COMP., GEARSHIFT	F4	55	9
RING, OIL SEAL STOPPER	G13	71	19	SCREW, PAN, 5X16	G5	63	21	SPINDLE, KICK STARTER	F5	56	8
RING, PISTON	G13	71	11					SPOKE SET A,	H4	78	1
	G15	73	10	SCREW, PAN, 5X18	G14	72	22				
ROD COMP., RR. BRAKE	I3	93	8	SCREW, PAN, 5X20	G6	64	22	SPOKE SET A, FR.	H3	77	1
ROD, CLUTCH LIFTER	E8	43	9					SPOKE SET A, RR.	H7	81	1
ROLLER, 3X8.5	F4	55	19	SCREW, PAN, 5X22	I12	102	19	SPOKE SET B, FR.	H3	77	2
ROLLER, CHAIN	I6	96	12	SCREW, PAN, 5X28	H14	88	25	SPOKE SET B, RR.	H7	81	2
ROTOR, OIL FILTER	E13	48	6	SCREW, PAN, 6X6	E5	40	8	SPRING ASSY., SIDE STAND	I5	95	5
ROTOR, OIL PUMP INNER	E13	48	3	SCREW, SPECIAL, 6X8	H10	84	17	SPRING A, BRAKE ROD	I3	93	11
ROTOR, OIL PUMP OUTER	E13	48	4	SCREW, TAPPET ADJUSTING	E4	39	12	SPRING SET, BRAKE PEDAL	I3	93	13
RUBBER	H9	83	4	SCREW, TAPPING, 3X12	G6	64	23	SPRING, BEAM ADJUST	G1	59	3
	I13	103	1					SPRING, BEARING PUSH	E14	49	5
RUBBER A, FUEL TANK	H9	83	3	SCREW, TAPPING, 4X10	H12	86	11	SPRING, BRAKE ARM	H2	76	12
RUBBER B, SEAT SETTING	H11	85	3	SCREW, TAPPING, 4X12	G1	59	16	SPRING, BRAKE SHOE	H2	76	3
RUBBER, CHAMBER RR. MOUNTING .	I1	91	8						H6	80	6
RUBBER, CHANGE PEDAL	I3	93	2	SCREW, TAPPING, 4X13	I11	101	3	SPRING, BRUSH	E12	47	3
RUBBER, DAMPER	E16	51	11	SCREW, TAPPING, 4X16	G2	60	20	SPRING, CARBON BRUSH	E12	47	3
RUBBER, FR. FENDER MOUNTING ..	I12	102	11					SPRING, CHANGE SWITCH CONTACT .	F4	55	13
RUBBER, INSERT	E6	41	3								



PART NAME INDEX

L 6

Part name	Address	Page	Ref.	Part name	Address	Page	Ref.	Part name	Address	Page	Ref.
SPRING, CLUTCH	E8	43	10	SWITCH ASSY., THERMOSTAT	I14	104	9	WASHER, 28.1X45X1.4	E16	51	17
SPRING, CLUTCH LEVER	E7	42	5	SWITCH COMP., START	G5	63	3	WASHER, 6X9	I6	96	16
SPRING, DAMPER	E16	51	10		G7	65	3		J1	107	7
SPRING, FR. FORK	G13	71	4	SWITCH COMP., WINKER	G5	63	4	WASHER, 6.5X20	G12	70	3
	G15	73	3		G7	65	4		I6	96	17
SPRING, GEARSHIFT RETURN	F4	55	10	SWITCH SET, NEUTRAL	E14	49	7		J1	107	8
SPRING, KICK RETURN	F5	56	9					WASHER, 8MM	H8	82	16
SPRING, KICK STARTER	I3	93	5	[T]				WASHER, BUSH	I3	93	15
SPRING, OIL THROUGH	E13	48	9					WASHER, CHAIN CASE	H12	86	10
SPRING, PAD	H1	75	6	TAILLIGHT UNIT	I12	102	1		H14	88	24
SPRING, RATCHET	F5	56	6	TANK COMP., FUEL	H9	83	2	WASHER, CHAIN SLIDER	I6	96	11
SPRING, REBOUND	G13	71	7	TENSIONER ASSY., CAM CHAIN	E5	40	3	WASHER, DRAIN PLUG, 12MM	E14	49	14
	G15	73	6	TERMINAL SET, BRUSH	E12	47	2	WASHER, DRUM STOPPER	F4	55	16
SPRING, SHIFT DRUM STOPPER	F4	55	8	THREAD, STEERING HEAD TOP	G11	69	6	WASHER, GEAR	H4	78	16
SPRING, SIDE STAND	I5	95	6	THROUGH, OIL	E13	48	8	WASHER, OIL BOLT	G9	67	15
SPRING, SIDE STAND SUB	I5	95	4	TIRE, FR.	H3	77	9	WASHER, OIL SEAL	G13	71	6
SPRING, STEP RETURN	I4	94	4		H4	78	11		G15	73	5
SPRING, STOP SWITCH	I3	93	7	TIRE, RR.	H7	81	10	WASHER, PLAIN, 12MM	E3	38	16
SPRING, THRUST	E16	51	13	T-JOINT	H15	89	4	WASHER, PLAIN, 17MM	E8	43	13
SPRING, VALVE INNER	E4	39	8	TOP SET	F6	57	4	WASHER, PLAIN, 3MM	J1	107	6
SPRING, VALVE OUTER	E4	39	7	TUBE	F7	58	24	WASHER, PLAIN, 5MM	I12	102	22
SPROCKET, CAM	E5	40	1	TUBE A, INNLET	H15	89	13	WASHER, PLAIN, 6MM	G3	61	22
SPROCKET, DRIVE	F2	53	15	TUBE COMP., AIR VENT	F7	58	25		I2	92	23
SPROCKET, FINAL DRIVEN	H7	81	3	TUBE, 8X35	H16	90	23	WASHER, PLAIN, 8MM	I2	92	24
STATOR COMP.	E11	46	2	TUBE, AIR CLEANER CONNECTING ..	H13	87	7		I4	94	17
STAY, COUPLER	G2	60	13				8	WASHER, RR. AXLE	H8	82	17
STAY, L. VISOR	G10	68	9	TUBE, AIR SUCTION VALVE				WASHER, SEALING, 6.2X12X1.2	E1	36	9
STAY, NUMBER BRACKET	I12	102	14	CONTROL	H15	89	10	WASHER, SPECIAL, 14MM	F5	56	12
STAY, RR. REFLEX REFLECTOR	I9	99	8	TUBE, BREATHER	H13	87	19	WASHER, SPECIAL, 8MM	G13	71	18
STAY, R. VISOR	G10	68	8	TUBE, BREATHER DRAIN	H13	87	17		G15	73	19
STAY, SPEEDOMETER	G2	60	12	TUBE, EXCHANGE	H15	89	11	WASHER, SPEEDOMETER GEAR	H2	76	6
STEM SUB ASSY., STEERING	G11	69	5	TUBE, FUEL	H9	83	9	WASHER, SPLINE, 20MM	F2	53	17
STEP COMP., L.	I4	94	5	TUBE, REED VALVE	H15	89	9	WASHER, SPRING, 6MM	I13	103	12
STEP COMP., R.	I4	94	3	TUBE, SUCTION	H15	89	8	WASHER, STEERING STEM	G10	68	14
STOPPER COMP., GEARSHIFT DRUM	F4	55	7	TUBE, TIRE	H3	77	10	WASHER, THRUST, 12MM	F2	53	19
STOPPER, KEY BODY	J1	107	4		H4	78	12	WASHER, THRUST, 16MM	F5	56	11
STRIPE A, L. TANK SHROUD	J4	110	6		H8	82	11	WASHER, THRUST, 17MM	F2	53	20
STRIPE A, R. TANK SHROUD	J4	110	4	[V]					F5	56	13
STRIPE B, L. TANK SHROUD	J5	111	9	VALVE ASSY., AIR SUCTION	H15	89	7	WEIGHT, PILLION STEP	I4	94	14
			10	VALVE COMP., FLOAT	F6	57	19	WHEEL SUB ASSY., FR.	H3	77	7
STRIPE B, R. TANK SHROUD	J4	110	7	VALVE SET, AIR CUT	F6	57	10		H4	78	8
			8	VALVE SET, THROTTLE	F6	57	7	WHEEL SUB ASSY., RR.	H7	81	8
STRIPE, L. SIDE COVER	J5	111	12	VALVE, EX.	E4	39	6	WINKER ASSY., L. FR.	I11	101	5
STRIPE, L. TANK SHROUD	J4	110	5	VALVE, IN.	E4	39	5	WINKER ASSY., L. RR.	I11	101	8
STRIPE, R. SIDE COVER	J5	111	11	VISOR SET, FR.	G1	59	11	WINKER ASSY., R. FR.	I11	101	1
STRIPE, R. TANK SHROUD	J4	110	3					WINKER ASSY., R. RR.	I11	101	7
SUB TANK, RESONATOR	H15	89	12	[W]				WRENCH, EYE, 24MM	J1	107	18
SUSPENSION, FUSE CASE	I14	104	11	WASHER B, THRUST, 20MM	F2	53	18	WRENCH, SPARK PLUG	J1	107	5
SUSPENSION, WINKER RELAY	I14	104	13	WASHER, 10MM	I16	106	20				
SWINGARM SUB ASSY., RR.	I6	96	14	WASHER, 14MM	F4	55	17				
SWITCH ASSY., CLUTCH	G5	63	5	WASHER, 14.1X29X2.8	E8	43	14				
	G7	65	5		E11	46	5				
SWITCH ASSY., COMBINATION & LOCK	G10	68	2	WASHER, 14.2X26X3	E13	48	12				
	G7	65	6	WASHER, 15.5X22	I3	93	16				
SWITCH ASSY., FR. STOP	G7	65	6	WASHER, 28.1X36X1.8	E16	51	16				
	G9	67	1								
SWITCH ASSY., RR. STOP	I3	93	6								
SWITCH ASSY., SIDE STAND	I5	95	1								
SWITCH ASSY., STARTER MAGNETIC	I13	103	7								

1

FOREWORD INDEX

2

ENGINE GROUP

3

FRAME GROUP

4

PART NUMBER INDEX

5

PART NAME INDEX

HONDA
The Power of Dreams