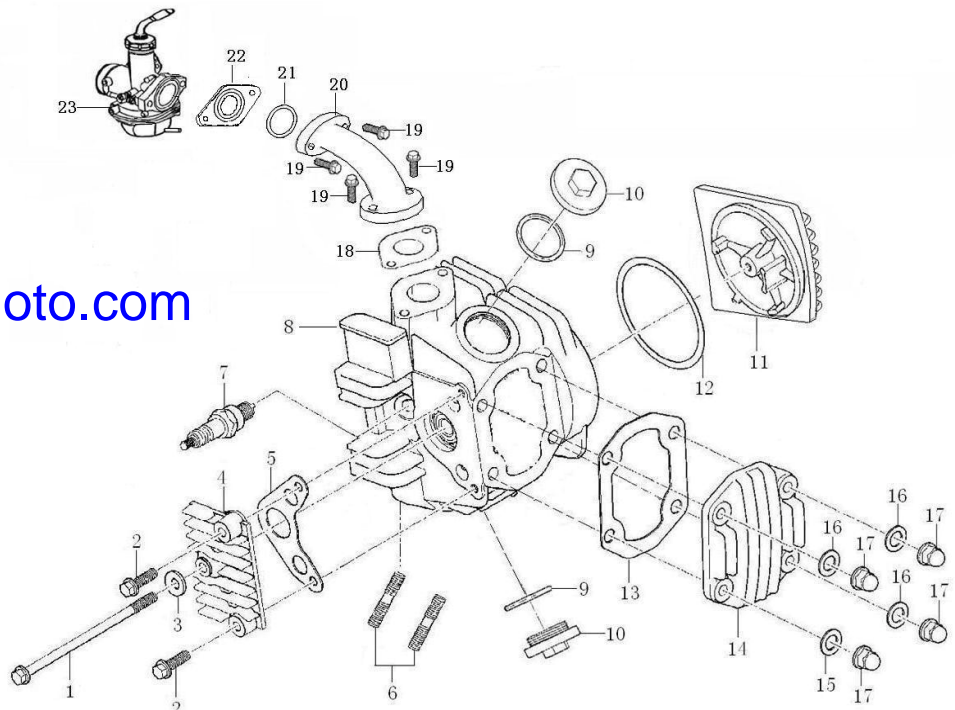


气缸头部件 CYLINDER HEAD ASSY

序号 NO.	编码 (PART CODE)	中文名称 (CHINESE DESCRIPTION)	英文名称 (ENGLISH DESCRIPTION)	数量 QTY	备注 REMARK
1	91192-D002-00000X	70缸头左右盖连接螺栓M6×110(兰白锌)	BOLT M6×110	1	
2	B166740A06002070X	GB16674小盘螺栓M6×20(兰白锌)	BOLT M6×20	2	
3	93301-70651012000	70铝垫圈6.5×1×12	WASHER 6.5×1×12	1	
4	11228-G011-01000W	C100-2#气缸头右盖组合(抛丸钝化)	RIGHT COVER, CYLINDER HEAD	1	
5	90203-D002-0000	70气缸头右盖密封垫	GASKET, R. CYLINDER HEAD COVER	1	
6	91138-1015-00000X	GY6缸头排气口双头螺栓M6×32(兰白锌)	BOLT M6×32	2	
7	81300-G011-0000	C100火花塞部件	SPARK PLUG	1	
8	1122B-G011-00000W	C100气缸头组合(抛丸钝化)	CYLINDER HEAD ASSY	1	
9	90101-20296000320	70气门盖O形圈29.6×3.2(氟硅胶)	O-RING 29.6×3.2	2	
10	11230-D002-00000W	70气门室盖(抛丸钝化)	COVER, VALVE CHAMBER	2	
11	11227-G011-01000W	C100-2#气缸头左盖(限位柱高度11.3 抛丸钝化)	LEFT COVER, CYLINDER HEAD	1	
12	90202-D002-0000	70气缸头左盖密封垫	GASKET, CYLINDER HEAD COVER	1	
13	90201-D002-0000	70气缸头上盖密封垫	GASKET, CYLINDER HEAD UPPER COVER	1	
14	11226-G011-00000W	C100气缸头上盖(抛丸钝化)	UPPER COVER, CYLINDER HEAD	1	
15	93301-80732514000	C100缸头盖铜垫圈7.3×2.5×14	WASHER 7.3×2.5×14	1	
16	93301-2073251400B	C100缸头盖铁垫圈7.3×2.5×14(白锌)	WASHER 7.3×2.5×14	3	
17	91201-G011-00000X	C100缸头盖盖形螺母M7(兰白锌)	NUT M7	4	
18	15810-G001-0000	100进气管密封垫	GASKET, INLET PIPE	1	
19	B057830006002570X	GB5783螺栓M6×25(兰白锌)	BOLT M6×25	4	
20	15800-F009-0004	90D进气管(JQ-4)	INLET PIPE	1	
21	90101-10250000240	70化油器隔热垫O形圈25×2.4(丁腈胶)	O-RING 25×2.4	1	
22	90214-G011-0000	C100化油器隔热垫	GASKET, CARBURETOR	1	
23	17100-0000-0012	C100化油器(PZ19 拉索)带燃油开关	CARBURETOR	1	
24					
25					
26					
27					
28					
29					
30					
31					
32					
33					
34					
35					
36					
37					
38					
39					
40					
41					
42					
43					
44					
45					

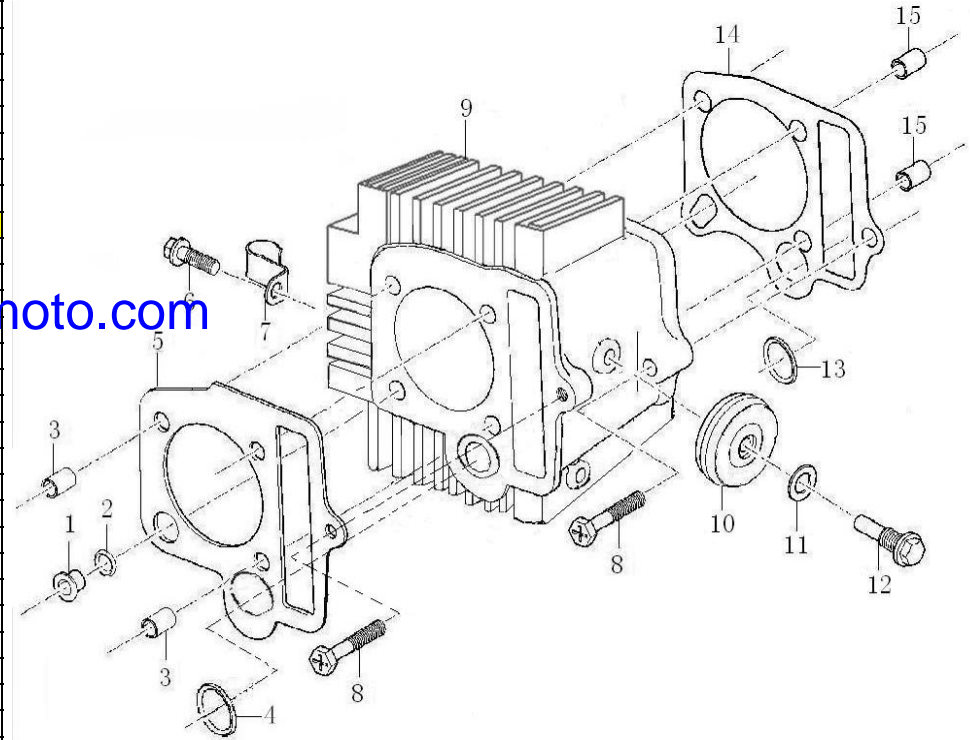
www.seacubemoto.com



气缸头部件
CYLINDER HEAD ASSY

气缸体部件 CYLINDER ASSEMBLY

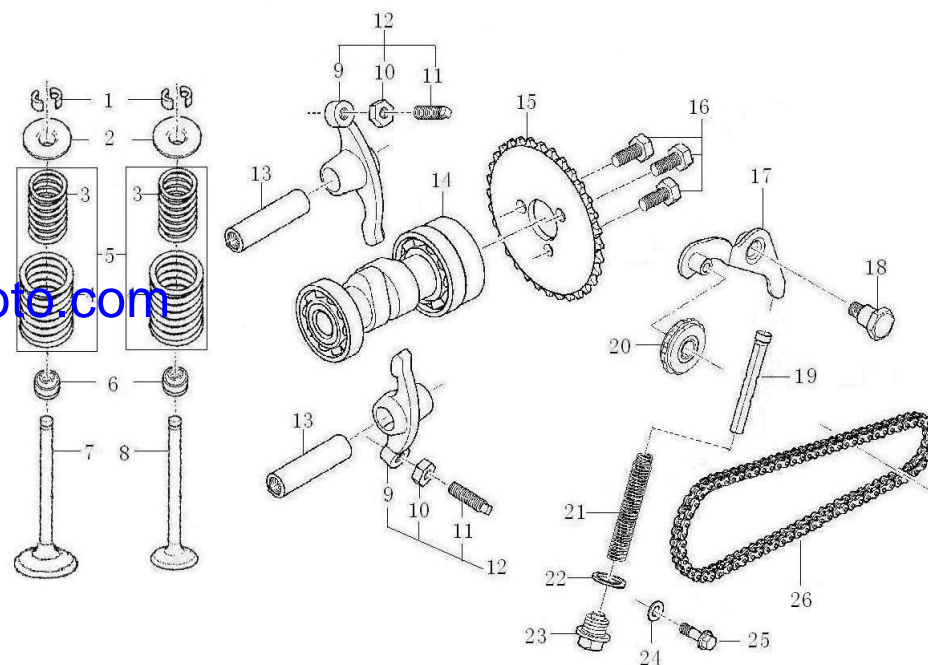
序号 NO.	编码 (PART CODE)	中文名称 (CHINESE DESCRIPTION)	英文名称 (ENGLISH DESCRIPTION)	数量 QTY	备注 REMARK
1	11235-D002-0000	70反沿衬套9.5	BUSH 9.5	1	
2	90102-D002-0001	70矩形密封圈 φ8×10.8×1.5	RECTANGLE RING 8×10.8×1.5	1	
3	91521-08001400070	C100定位销8×14×7	PIN 8×14×7	2	
4	90102-D002-0003	70矩形密封圈 φ14×18.2×2.5	RECTANGLE RING 14×18.2×2.5	1	
5	9022B-G011-0000	C100气缸头密封垫组合	GASKET ASSY, CYLINDER HEAD	1	
6	B166740A06001670X	GB16674小盘螺栓M6×16(兰白锌)	BOLT M6×16	1	
7	11003-D002-00000X	70高压线固定夹(兰白锌)	CLIP, HIGH VOLTAGE WIRE	1	
8	91113-D002-00000X	70缸体箱体连接螺栓M6×23(兰白锌)	BOLT M6×23	2	
9	1110B-G011-00000Y	C100气缸体部件(缸标97 铸铁电泳黑)	CYLINDER BLOCK ASSEMBLY	1	
10	1533A-HZ30-0000	C110链条导向轮组合(45)	GUIDE CHAIN ROLLER SET	1	
11	93301-70851514000	70导向销轴铝垫圈8.5×1.5×14	WASHER 8.5×1.5×14	1	
12	15302-D002-00000X	70导向滚轮销轴(兰白锌)	GUIDE CHAIN ROLLER PIN	1	
13	90102-D002-0002	70矩形密封圈 φ11.5×16×2.5	RECTANGLE RING 11.5×16×2.5	1	
14	90205-G011-0000	C100气缸体密封垫	GASKET, CYLINDER BLOCK	1	
15	91521-08001200070	C100缸体箱体连接定位销8×12×7	PIN 8×12×7	2	
16					
17					
18					
19					
20					
21					
22					
23					
24					
25					
26					
27					
28					
29					
30					
31					
32					
33					
34					
35					
36					
37					
38					
39					
40					
41					
42					
43					
44					
45					



气缸体部件
CYLINDER ASSEMBLY

配气机构 VALVE MECHANISM

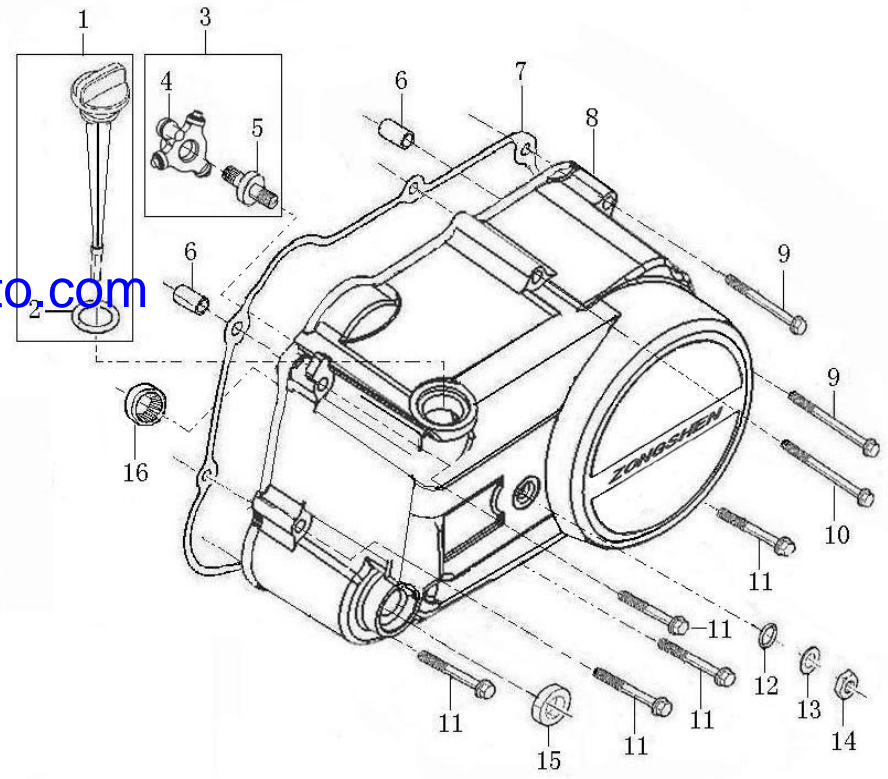
序号 NO.	编码 (PART CODE)	中文名称 (CHINESE DESCRIPTION)	英文名称 (ENGLISH DESCRIPTION)	数量 QTY	备注 REMARK
1	15707-D002-0000	70气门锁夹	VALVE COTTER	4	
2	15705-D002-0000	70气门弹簧座(上)	SPRING SEAT	2	
3	15704-D002-0200	70-3#气门内弹簧	VALVE INNER SPRING	2	
4	15703-D002-0000	70气门外弹簧	VALVE OUTER SPRING	2	
5	15710-D002-0200	70-3#气门内外弹簧组合	INNER SPRING, ASSY	2	
6	1572B-D002-0000	70挡油罩组合	SEAL, VALVE STEM	2	
7	15701-D002-0000	70进气门	INLET VALVE	1	
8	15702-D002-0000	70排气门	EXHAUST VALVE	1	
9	15401-D002-0000	70气门摇臂	ROCKER ARM	2	
10	15403-D002-0000	70气门间隙调节螺母	NUT, VALVE CLEARANCE	2	
11	15404-D002-0000	70气门间隙调节螺钉	SCREW, VALVE CLEARANCE	2	
12	1540A-D002-0000	70气门摇臂组合	ROCKER ARM ASSMPLY	2	
13	15402-D002-0000	70气门摇臂轴	ROCKER SHAFT	2	
14	15100-G011-0005	C100凸轮轴部件(轴承16003、16002)	CAMP SHAFT COMP	1	
15	15301-D002-0000	70正时从动链轮	TIMING DRIVEN SPROCKET	1	
16	91191-D002-0000	70正时链轮螺栓M5×12	BOLT M5×12	3	
17	1556B-D002-0000	70链条张紧臂组合	CHAIN ADJUSTING SET	1	
18	15505-D002-0000	70链条张紧臂芯轴	AXLE, TENSIONER LEVER	1	
19	1555B-D002-0000	70链条张紧杆组合	CHAIN TYHT SET	1	
20	1554B-D002-0000	70链条张紧轮组合	LIFTER ASSY	1	
21	15503-D002-0000	70链条张紧杆弹簧	SPRING	1	
22	93301-71451520000	70密封螺塞铝垫圈14.5×1.5×20	WASHER 14.5×1.5×20	1	
23	91105-D002-00000X	70密封螺塞M14×1.5(兰白锌)	SEALING PLUG M14×1.5	1	
24	93301-70651512000	70张紧杆注油铝垫圈6.5×1.5×12	WASHER 6.5×1.5×12	1	
25	B166740B06001870X	GB16674中盘螺栓M6×18(兰白锌)	BOLT M6×18	1	
26	1532B-G011-0000	C100正时链条组合(84)	SPROKET CHAIN	1	
27					
28					
29					
30					
31					
32					
33					
34					
35					
36					
37					
38					
39					
40					
41					
42					
43					
44					
45					



配气机构
VALVE MECHANISM

右曲轴箱盖 RIGHT CRANKCASE COVER

序号 NO.	编码 (PART CODE)	中文名称 (CHINESE DESCRIPTION)	英文名称 (ENGLISH DESCRIPTION)	数量 QTY	备注 REMARK
1	14301-G011-0000	C100机油尺组合(白板 本色)整体式	OIL RULER ASSY	1	
2	90101-10180000300	CG125机油尺O形圈18×3(丁腈胶)	O-RING 18×3	1	
3	2244A-G011-07000X	C100离合器挺杆体组件(球型式 赛科龙出口专用 带C100调节螺栓 兰白锌)	CLUTCH TAPPET	1	
4	22440-G011-0300	C100离合器挺杆体组合(球型式 赛科龙出口专用)	CLUTCH TAPPET	1	
5	91112-G011-00000X	C100离合器调节螺栓M8(兰白锌)	BOLT M8	1	
6	91521-08001200063	70定位销8×12×6.3	PIN 8×12×6.3	2	
7	90206-D002-0000	70右曲轴箱盖密封垫	GASKET, R. CRANKCASE COVER	1	
8	12421-G011-000189	C100右曲轴箱盖(ZONGSHEN 普通款 8801)	COVER COMP. RIGHT CRANKCASE	1	
9	B166740A06008070X	GB16674小盘螺栓M6×80(兰白锌)	BOLT M6×80	2	
10	B166740A06006570X	GB16674小盘螺栓M6×65(兰白锌)	BOLT M6×65	1	
11	B166740A06004070X	GB16674小盘螺栓M6×40(兰白锌)	BOLT M6×40	5	
12	90101-10080000180	C100离合器调节螺栓O形圈8×1.8(丁腈胶)	O-RING 8×1.8	1	
13	B000970108000000B	GB97.1垫圈8(白锌)	WASHER φ8	1	
14	B061700008000090X	GB6170螺母M8(兰白锌)	NUT 8	1	
15	90304-D002-0000	70启动轴油封13.8×24×5(丁腈胶)	OIL SEAL 13.8×24×5	1	
16	92102-000HK101410	滚针轴承(HK10×14×10)	BEARING (HK10×14×10)	1	
17					
18					
19					
20					
21					
22					
23					
24					
25					
26					
27					
28					
29					
30					
31					
32					
33					
34					
35					
36					
37					
38					
39					
40					
41					
42					
43					
44					
45					

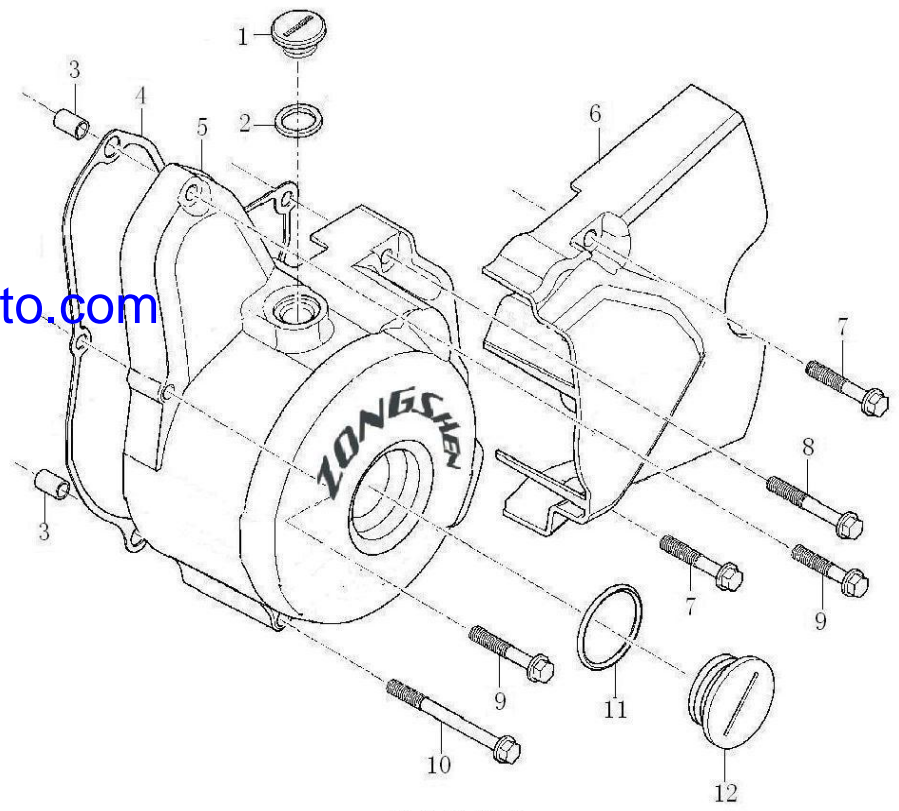


右曲轴箱盖
RIGHT CRANKCASE COVER

左曲轴箱盖 LEFT CRANKCASE COVER

序号 NO.	编码 (PART CODE)	中文名称 (CHINESE DESCRIPTION)	英文名称 (ENGLISH DESCRIPTION)	数量 QTY	备注 REMARK
1	12303-G011-010089	C100小视孔盖(塑料 8801)烤漆	CAP, SMALL VIEW HOLE	1	
2	90101-10132000265	C100小视孔盖O形圈13.2×2.65(丁腈胶)	O-RING 13.2×2.65	1	
3	91521-08001200063	70定位销8×12×6.3	PIN 8×12×6.3	2	
4	90204-G011-0000	C100左曲轴箱前盖密封垫	GASKET, L. CRANKCASE COVER	1	
5	12301-G011-L00189	C100左曲轴箱前盖(6极 ZONGSHEN 凸字 普通款 8801)	FRONT PART, L. CRANKCASE COVER	1	
6	12302-G011-000089	C100左曲轴箱后盖(C100-PT-1# 8801)	BACK PART, L. CRANKCASE COVER	1	
7	B166740A06002870X	GB16674小盘螺栓M6×28(兰白锌)	BOLT M6×28	2	
8	B166740A06005070X	GB16674小盘螺栓M6×50(兰白锌)	BOLT M6×50	1	
9	B166740A06003270X	GB16674小盘螺栓M6×32(兰白锌)	BOLT M6×32	2	
10	B166740A06007070X	GB16674小盘螺栓M6×70(兰白锌)	BOLT M6×70	1	
11	90101-10274000265	C100大视孔盖O形圈27.4×2.65(丁腈胶)	O-RING 27.4×2.65	1	
12	12304-G011-010089	C100大视孔盖(塑料 8801)烤漆	CAP, BIG VIEW HOLE	1	
13					
14					
15					
16					
17					
18					
19					
20					
21					
22					
23					
24					
25					
26					
27					
28					
29					
30					
31					
32					
33					
34					
35					
36					
37					
38					
39					
40					
41					
42					
43					
44					
45					

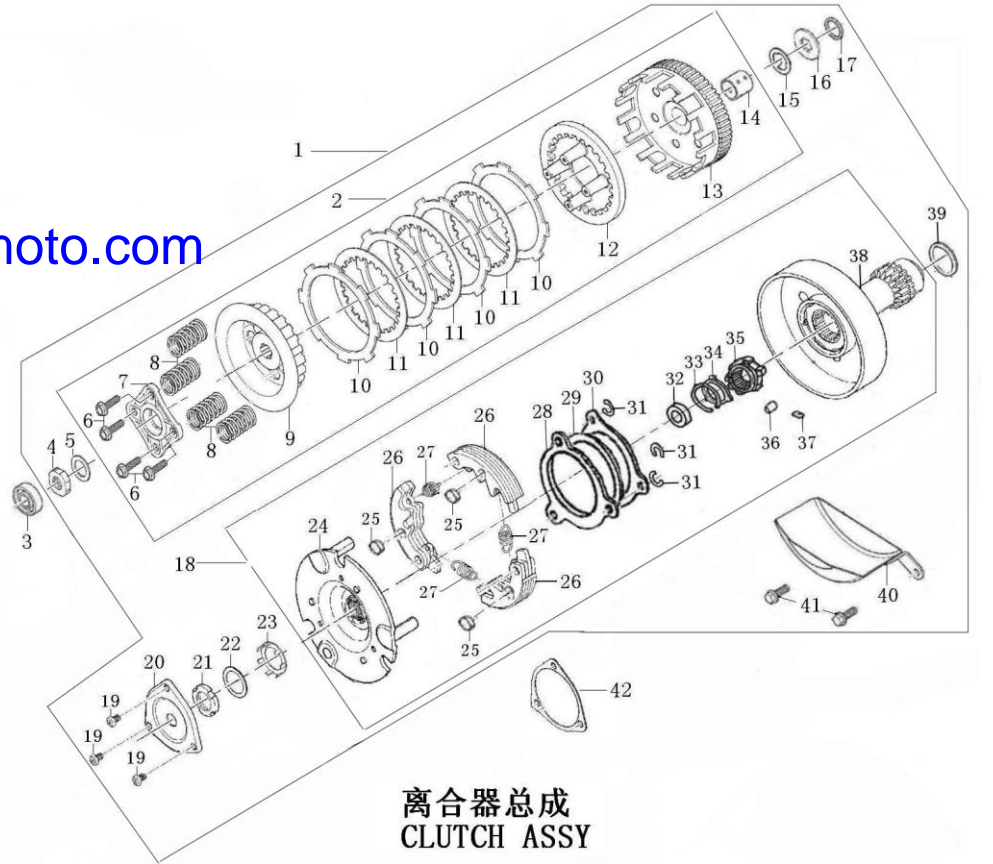
www.seacubemoto.com



左曲轴箱盖
LEFT CRANKCASE COVER

离合器总成 CLUTCH ASSY

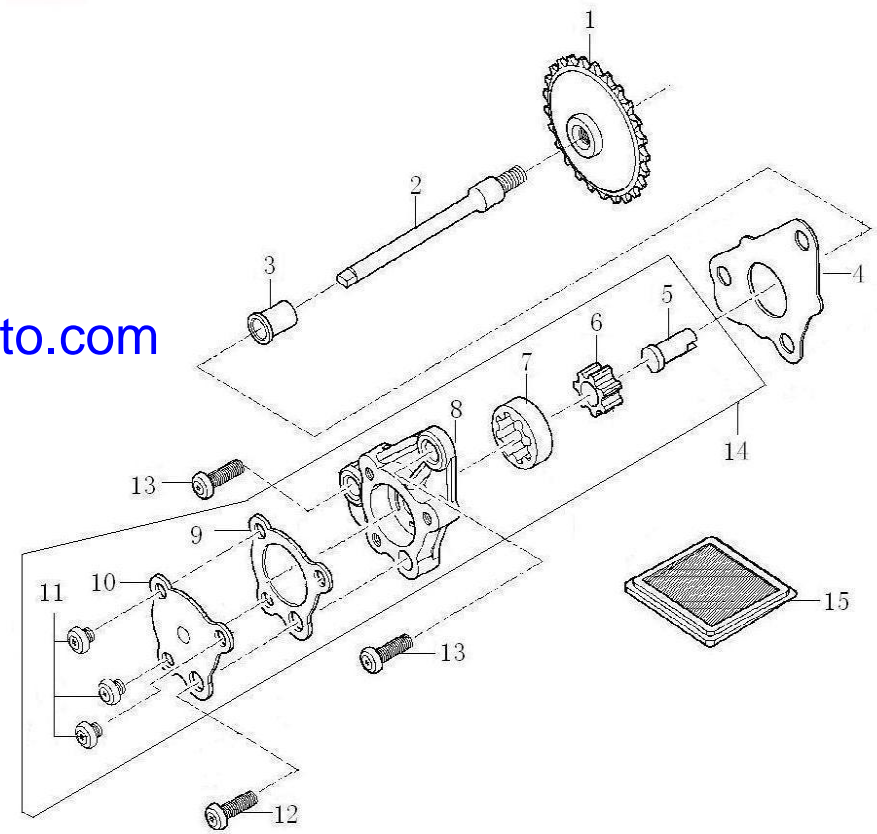
序号 NO.	编码 (PART CODE)	中文名称 (CHINESE DESCRIPTION)	英文名称 (ENGLISH DESCRIPTION)	数量 QTY	备注 REMARK
1	22000-HZ31-0216	C110-A-2#离合器总成(不带轴承)	CLUTCH ASSY	1	
2	22100-HZ31-0000	C110-A主离合器部件	CLUTCH ASSY	1	
3	92102-0000006000	轴承(6000)	BEARING (6000)	1	
4	91202-G011-0000	C100主离合器锁紧螺母M14×1	LOCK NUT, CLUTCH	1	附件
5	22004-G011-0000	C100主离合器碟形垫圈	DISH WASHER, CLUTCH	1	附件
6	B057890006002270B	GB5789螺栓M6×22(白锌)	BOLT M6×22	4	
7	22121-G011-0000	C100离合器端盖	END COVER, CLUTCH	1	
8	22142-HZ31-0000	C110-A-3#离合器弹簧	SPRING, CLUTCH	4	
9	22105-G011-0000	C100离合器中心套	CENTER SLEEVE, CLUTCH	1	
10	22214-G011-0000	C100离合器主动摩擦片	DRIVE FRICTION DISK	4	
11	22215-G011-0000	C100离合器从动摩擦片	OUTER FRICTION DISK A	3	
12	22122-G011-0000	C100离合器压盘	PRESSURE PLATE, CLUTCH	1	
13	22150-HZ31-0000	C110-A离合器外罩组合	OUT CASE ASSEMBLY, CLUTCH	1	
14	22104-G011-0000	C100主离合器轴套	SLEEVE, CLUTCH	1	
15	22103-G011-0000	C100主离合器定位环	FIXING RING, CLUTCH	1	附件
16	22002-G011-0000	C100离合器花键垫圈	WASHER	1	附件
17	22101-G011-0000	C100主离合器隔离套	SPACER SLEEVE, CLUTCH	1	附件
18	22500-G011-0000	C100初级离合器部件	ASSEMBLY, PRIMARY CLUTCH	1	
19	B008230005000820B	GB823螺钉M5×8(白锌)	SCREW M5×8	3	附件
20	22507-G011-0000	C100初级离合器盖	COVER, PRIMARY CLUTCH	1	附件
21	91208-G011-0000	C100初级离合器圆螺母	LOCK NUT, PRIMARY CLUTCH	1	附件
22	22004-D002-0000	70离合器碟形垫圈	DISH WASHER, CLUTCH	1	附件
23	22503-G011-0000	C100初级离合器止退垫圈	STOP WASHER, PRIMARY CLUTCH	1	附件
24	22531-G011-0000	C100初级离合器主动盘组件	DRIVE DISK, PRIMARY CLUTCH	1	
25	22538-G011-0000	C100初级离合器减震胶垫	SHAKE ABSORBER	3	
26	22540-G011-0100	C100-2#初级离合器配重蹄块组件(改进状态)	COUNTER WEIGHT SET, PRIMARY CLUTCH	3	
27	22543-G011-0000	C100初级离合器拉簧	SPRING, PRIMARY CLUTCH	3	
28	22546-HZ31-0000	C110-A初级离合器盖板	PRIMARY CLUTCH COVER	1	
29	22537-HZ31-0000	C110-A初级离合器碟形弹簧	SPRING	1	
30	22545-HZ31-0000	C110-A初级离合器压板	PRESS PLATE OF PRIMARY CLUTCH	1	
31	22508-G011-0000	C100初级离合器开口挡圈7	CIRCLIP, PRIMARY CLUTCH	3	
32	93301-61703022900	C110-A初级离合器垫圈17×3×22.9	WASHER 17×3×22.9	1	
33	22508-G011-0100	C100初级离合器开口挡圈43	CIRCLIP, PRIMARY CLUTCH	1	
34	93301-62950838000	C100初级离合器垫圈29.5×0.8×38	WASHER 29.5×0.8×38	1	
35	22550-G011-0000	C100超越离合器内盘组件	INNER PLATE, OVERRUNNING CLUTCH	1	
36	91525-G011-0000	C100初级离合器销子	PIN	6	
37	22536-G011-0000	C100单向器弹簧	SPRING	6	
38	22521-G011-0000	C100初级离合器外壳组件	OUTER CASE, PRIMARY CLUTCH	1	
39	22501-G011-0000	C100初级离合器止推垫圈	THRUST WASHER, PRIMARY CLUTCH	1	附件
40	22108-G011-0000	C100主离合器隔油盒	OIL INSULATING, CLUTCH	1	附件
41	B057830006001670B	GB5783螺栓M6×16(白锌)	BOLT M6×16	2	附件
42	90219-G011-0000	C100初级离合器盖密封垫	GASKET, PRIMARY CLUTCH COVER	1	
43					
44					
45					



机油泵部件 OIL PUMP

序号 NO.	编码 (PART CODE)	中文名称 (CHINESE DESCRIPTION)	英文名称 (ENGLISH DESCRIPTION)	数量 QTY	备注 REMARK
1	1432B-D002-0000	70机油泵传动链轮组合	HUB DUMP CHAIN SPROCKET, OIL PUMP	1	
2	14302-D002-0000	70机油泵链轮轴	OIL PUMP SPROCKET SHAFT	1	
3	14304-D002-0000	70机油泵链轮轴套	BUSH, SPROCKET	1	
4	90210-D002-0000	70机油泵体密封垫	GASKET, OIL PUMP	1	
5	14107-G011-0000	C100机油泵油泵轴	SHAFT, OIL PUMP	1	
6	14111-G011-0000	C100机油泵内转子	INNER ROTOR, OIL PUMP	1	
7	14112-G011-0000	C100机油泵外转子	OUTER ROTOR, OIL PUMP	1	
8	14110-G011-0000	C100机油泵体	OIL PUMP BODY	1	
9	90221-D002-0000	70机油泵盖密封垫	GASKET, OIL PUMP COVER	1	
10	14108-G011-0000	C100机油泵盖板	OIL PUMP COVER	1	
11	B008180005001020B	GB818螺钉M5×10(白锌)	SCREW M5×10	3	
12	B008230006002220B	GB823螺钉M6×22(白锌)	SCREW M6×22	1	
13	B008230006001620B	GB823螺钉M6×16(白锌)	SCREW M6×16	2	
14	14100-G011-0000	C100机油泵部件	OIL PUMP ASSY	1	
15	1431B-D002-0000	70机油过滤网组合	STRAINER, OIL FILTER	1	
16					
17					
18					
19					
20					
21					
22					
23					
24					
25					
26					
27					
28					
29					
30					
31					
32					
33					
34					
35					
36					
37					
38					
39					
40					
41					
42					
43					
44					
45					

www.seacubemoto.com

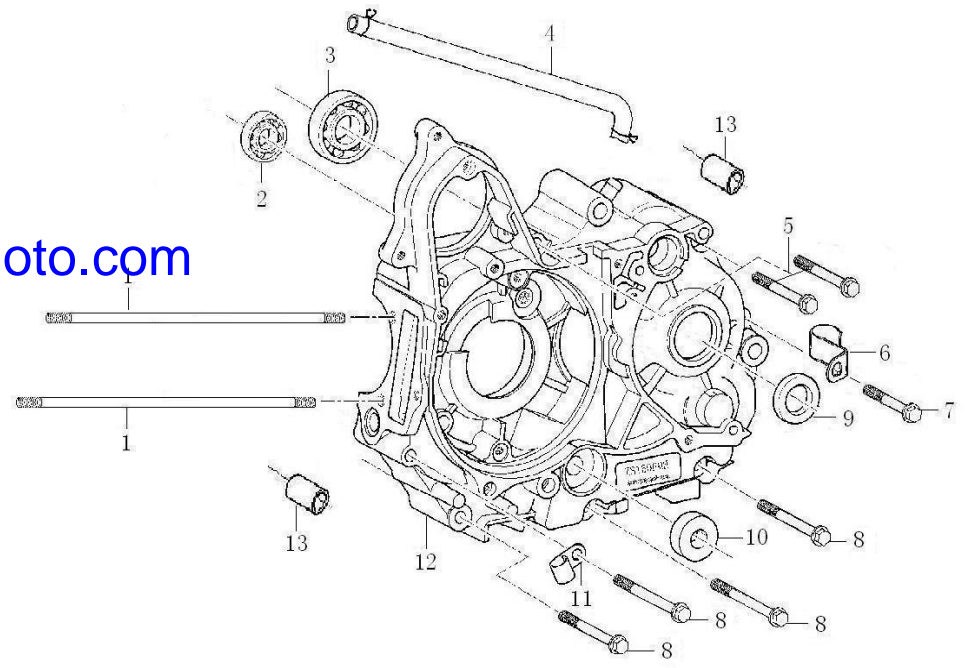


机油泵部件
OIL PUMP

左曲轴箱 LEFT CRANKCASE

序号 NO.	编码 (PART CODE)	中文名称 (CHINESE DESCRIPTION)	英文名称 (ENGLISH DESCRIPTION)	数量 QTY	备注 REMARK
1	91101-G011-0000	C100气缸双头螺栓A(203mm)	CYLINDER STUD BOLT A	2	
2	92102-00000006001	轴承(6001)	BEARING (6001)	1	
3	92102-00000006203	轴承(6203)	BEARING (6203)	1	
4	12130-G011-0102	C100-2#通气管组件(带2个φ10.5卡簧 复合层材料)	PIPE ASSY	1	
5	B166740A06006070X	GB16674小盘螺栓M6×60(兰白锌)	BOLT M6×60	2	
6	11003-D002-00000X	70高压线固定夹(兰白锌)	CLIP, HIGH VOLTAGE WIRE	1	
7	B166740A06004570X	GB16674小盘螺栓M6×45(兰白锌)	BOLT M6×45	1	
8	B166740A06006570X	GB16674小盘螺栓M6×65(兰白锌)	BOLT M6×65	4	
9	90303-D002-0000	70副轴油封17×29×5(丁腈胶)	OIL SEAL 17×29×5	1	
10	90301-D002-0000	70换档臂油封11.6×24×10(丁腈胶)	OIL-SEAL 11.6×24×10	1	
11	12108-D002-00000X	70溢流管夹(兰白锌)	CLIP, OVERFLOW PIPE	1	
12	1212B-G011-000089	C100左曲轴箱组合(小挂 有缺 8801)	LEFT CRANKCASE ASSY	1	
13	91521-10001400000	CG125脚定位销10×14	PIN 10×14	2	
14					
15					
16					
17					
18					
19					
20					
21					
22					
23					
24					
25					
26					
27					
28					
29					
30					
31					
32					
33					
34					
35					
36					
37					
38					
39					
40					
41					
42					
43					
44					
45					

www.seacubemoto.com

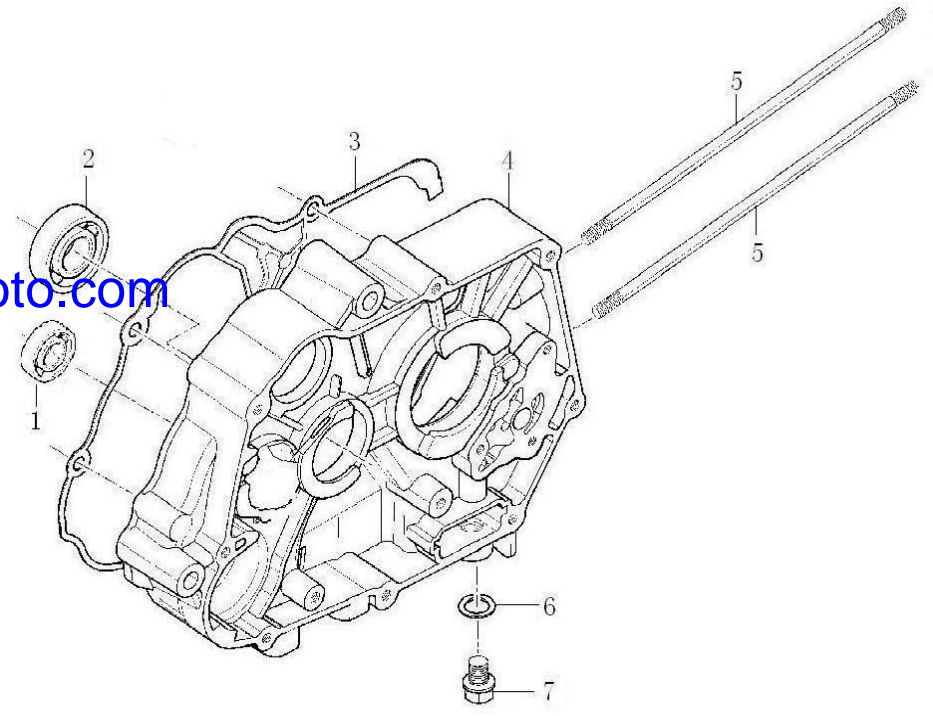


左曲轴箱
LEFT CRANKCASE

右曲轴箱 RIGHT CRANKCASE

序号 NO.	编码 (PART CODE)	中文名称 (CHINESE DESCRIPTION)	英文名称 (ENGLISH DESCRIPTION)	数量 QTY	备注 REMARK
1	92102-0000006201	轴承 (6201)	BEARING (6201)	1	
2	92102-0000006203	轴承 (6203)	BEARING (6203)	1	
3	90208-D002-0000	70曲轴箱密封垫	GASKET, CRANKCASE	1	
4	1222B-G011-000089	C100右曲轴箱组合(小挂 8801)	RIGHT CRANKCASE BLOCK	1	
5	91102-G011-0000	C100气缸双头螺栓B (195.5mm)	CYLINDER STUD BOLT B	2	
6	93301-71242020000	CG125D放油螺塞铝垫圈12.4×2×20	WASHER 12.4×2×20	1	
7	91103-I008-00000X	CG125D放油螺塞(兰白锌)	OIL DRAIN PLUG	1	
8					
9					
10					
11					
12					
13					
14					
15					
16					
17					
18					
19					
20					
21					
22					
23					
24					
25					
26					
27					
28					
29					
30					
31					
32					
33					
34					
35					
36					
37					
38					
39					
40					
41					
42					
43					
44					
45					

www.seacubemoto.com

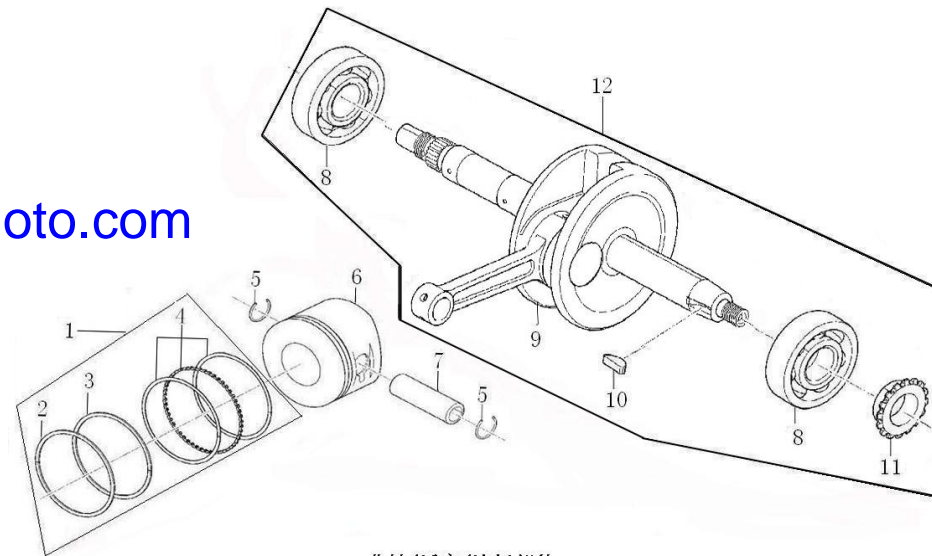


右曲轴箱
RIGHT CRANKCASE

曲轴/连杆部件/活塞 CRANKSHAFT CONNECTING-ROD ASSY/PISTON

序号 NO.	编码 (PART CODE)	中文名称 (CHINESE DESCRIPTION)	英文名称 (ENGLISH DESCRIPTION)	数量 QTY	备注 REMARK
1	1310A-G011-0000	C100活塞环总成	PISTON RING COMP	1	
2	13103-G011-0000	C100活塞环一	PISTON RING 1	1	
3	13104-G011-0000	C100活塞环二	PISTON RING 2	1	
4	13120-G011-0000	C100油环组合	OIL RING ASSY	1	
5	91401-D002-0000	70活塞销挡圈	CHECK RING, PISTON PIN	2	
6	13101-G011-0000	C100活塞	PISTON	1	
7	13102-D002-0000	70活塞销	PIN PISTON	1	
8	92102-0000006304	轴承(6304)	BEARING (6304)	2	
9	13220-G011-0000	C100曲轴连杆组合(无轴承、半圆键、主动齿)	CONNECTING ROD COMP 3	1	
10	91601-D002-0000	70半圆键4×12.5	SEMICIRCULAR KEY	1	
11	13222-D002-0000	70正时主动链轮(14齿)	HUB DUMP CHAIN SPROCKET	1	
12	1320B-G011-0000	C100曲轴连杆部件	CRANKSHAFT CONNECTING ROD ASSY	1	
13					
14					
15					
16					
17					
18					
19					
20					
21					
22					
23					
24					
25					
26					
27					
28					
29					
30					
31					
32					
33					
34					
35					
36					
37					
38					
39					
40					
41					
42					
43					
44					
45					

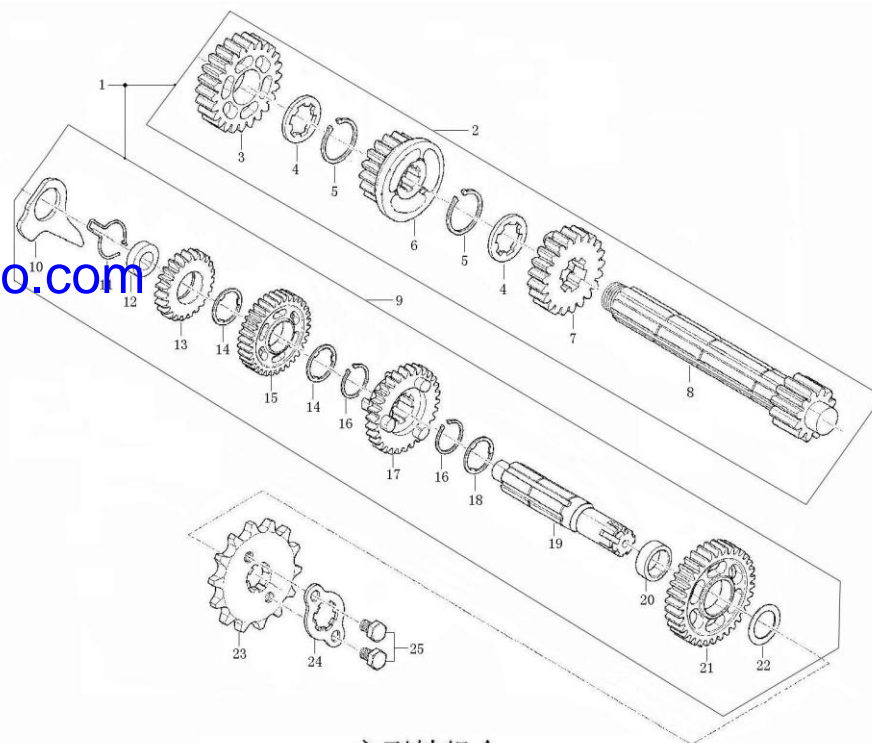
www.seacubemoto.com



曲轴/活塞/连杆部件
 CRANKSHAFT/PISTON/CONNECTING ROD COMP

主副轴组合 TRANSMISSION MAIN, COUNTER SHAFT

序号 NO.	编码 (PART CODE)	中文名称 (CHINESE DESCRIPTION)	英文名称 (ENGLISH DESCRIPTION)	数量 QTY	备注 REMARK
1	23200-G011-0300	C100主副轴组合(保护档)	TRANSMISSION MAIN, COUNTER SHAFT	1	
2	23220-G011-0000	C100主轴组合	MAIN SHAFT, TRANSMISSION	1	
3	23222-G011-0004	C100主轴4档齿轮	GEAR M-4	1	
4	23223-G011-0002	C100齿轮隔圈17(主轴)	SPLINE WASHER 15.5×1.2×21	2	
5	B0089401170000000	GB894.1挡圈17	CIRCLIP 17	2	
6	23222-G011-0003	C100主轴3档齿轮	GEAR M-3	1	
7	23222-G011-0002	C100主轴2档齿轮	GEAR M-2	1	
8	23221-G011-0000	C100主轴芯轴	TRANSMISSION MAIN SHAFT	1	
9	23240-G011-0100	C100副轴组合(保护档)	COUNTERSHAFT TRANSMISSION	1	
10	23246-G011-0000	C100变档保护限位板	LIMIT PLATE, GEARSHIFT	1	
11	23244-G011-0000	C100副轴阻尼弹簧	DAMPING SPRING, COUNTERSHAFT	1	
12	23205-G011-0000	C100单向器轴套	ONE-WAY CLIP	1	
13	23242-G011-0004	C100副轴4档齿轮	GEAR C-4	1	
14	23223-G011-0001	C100齿轮隔圈20(3、4档)	SPLINE WASHER 18.5×1.2×26	2	
15	23242-G011-0003	C100副轴3档齿轮	GEAR C-3	1	
16	91414-G011-0000	C100副轴齿轮挡圈 φ18.5×1.2×φ22	CHECK RING	2	
17	23242-G011-0002	C100副轴2档齿轮	GEAR C-2	1	
18	23223-G011-0000	C100齿轮隔圈20(1、2档)	SPLINE WASHER 18.5×1.2×24	1	
19	23241-G011-0000	C100副轴芯轴	TRANSMISSION COUNTER SHAFT	1	
20	23247-G011-0000	C100副轴齿轮轴套20×9	COLLAR 20×9	1	
21	23242-G011-0001	C100副轴1档齿轮	GEAR C-1	1	
22	93301-61721226000	W100副轴垫圈17.2×1.2×26	WASHER 17.2×1.2×26	1	
23	23401-G011-0000	C100主动链轮(428.14)	DRIVE SPROCKET	1	
24	23402-D002-0000	70主动链轮固定板	FIXING PLATE, DRIVE SPROCKET	1	
25	B057830006001070B	GB5783螺栓M6×10(白锌)	BOLT M6×10	2	
26					
27					
28					
29					
30					
31					
32					
33					
34					
35					
36					
37					
38					
39					
40					
41					
42					
43					
44					
45					

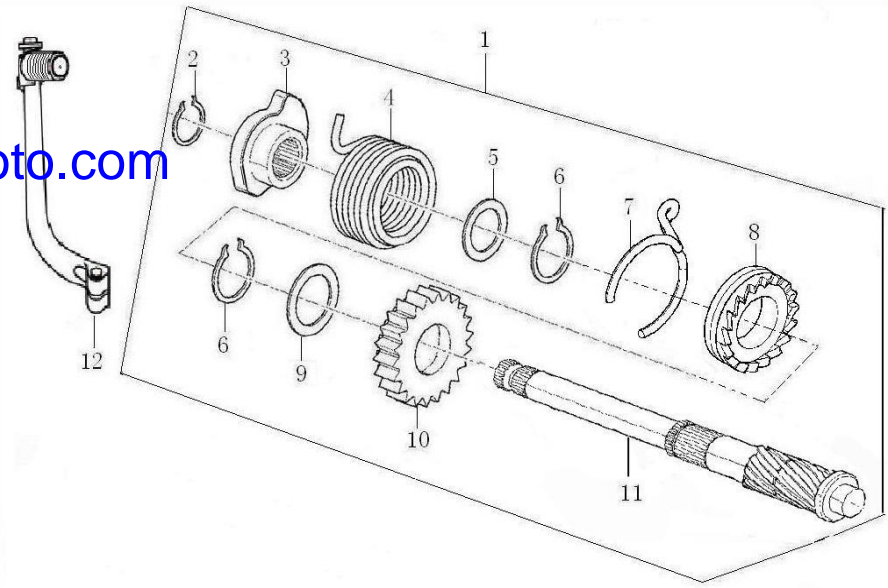


主副轴组合
TRANSMISSION MAIN, COUNTER SHAFT

启动轴总成 KICK STARTING SHAFT ASSEMBLY

序号 NO.	编码 (PART CODE)	中文名称 (CHINESE DESCRIPTION)	英文名称 (ENGLISH DESCRIPTION)	数量 QTY	备注 REMARK
1	21100-G011-0000	C100启动轴总成	KICK STARTING SHAFT ASSEMBLY	1	
2	91402-D002-0000	70启动轴挡圈 $\phi 15.5 \times 1.2 \times \phi 19$	CIRCLI $\phi 15.5 \times 1.2 \times \phi 19$	1	附件
3	21104-G011-0000	C100启动轴弹簧座	SEAT, SPRING, KICK STARTING SHAFT	1	附件
4	21106-G011-0000	C100启动轴复位弹簧	RETURN SPRING, KICK STARTING SHAFT	1	附件
5	93301-61721024000	70启动轴垫圈 $17.2 \times 1.0 \times 24$	WASHER $17.2 \times 1.0 \times 24$	1	附件
6	91402-D002-0100	70启动轴挡圈 $\phi 18.5 \times 1.2 \times \phi 22.1$	CIRCLI $\phi 18.5 \times 1.2 \times \phi 22.1$	2	
7	21119-G011-0000	C100启动棘轮弹簧	SPRING, KICK STARTING RATCHET WHEEL	1	
8	21118-G011-0000	C100启动棘轮	STARTING RATCHET	1	
9	93301-62021027000	70启动轴垫圈 $20.2 \times 1.0 \times 27$	WASHER $20.2 \times 1.0 \times 27$	1	
10	21117-G011-0000	C100启动齿轮	GEAR, KICK STARTER	1	
11	21107-G011-0000	C100启动轴芯轴	PIVOT, KICK STARTING SHAFT	1	
12	21200-F004-0002	90启动杆部件 (QD-2)	STARTING BAR PART (QD-2)	1	
13					
14					
15					
16					
17					
18					
19					
20					
21					
22					
23					
24					
25					
26					
27					
28					
29					
30					
31					
32					
33					
34					
35					
36					
37					
38					
39					
40					
41					
42					
43					
44					
45					

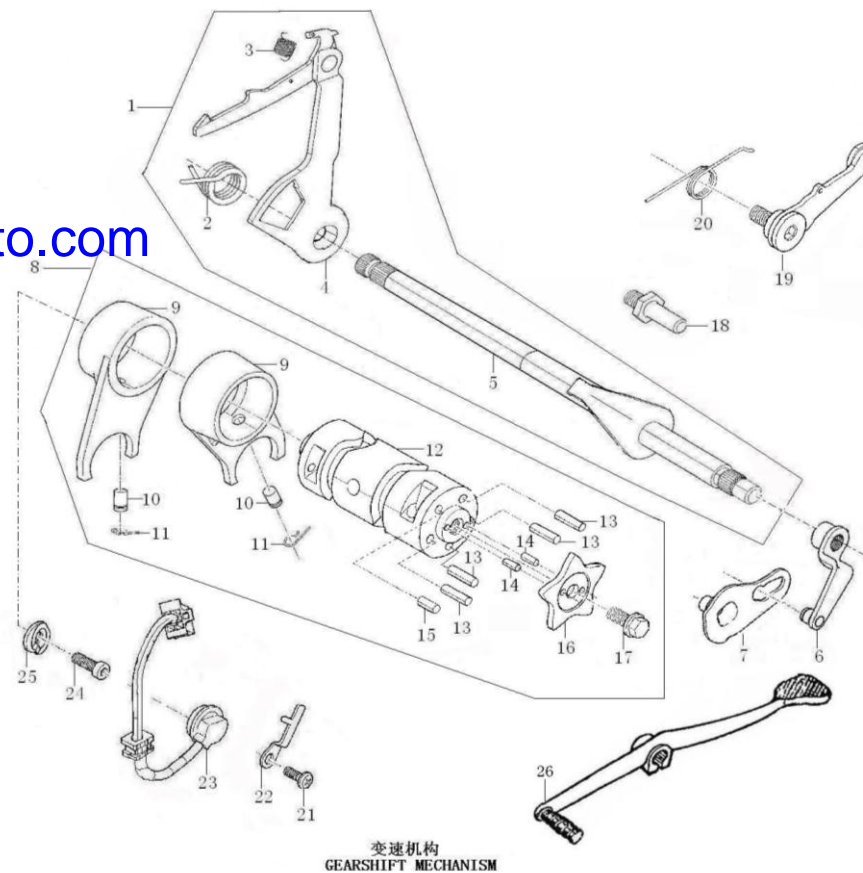
www.seacubemoto.com



启动轴总成
KICK STARTING SHAFT ASSEMBLY

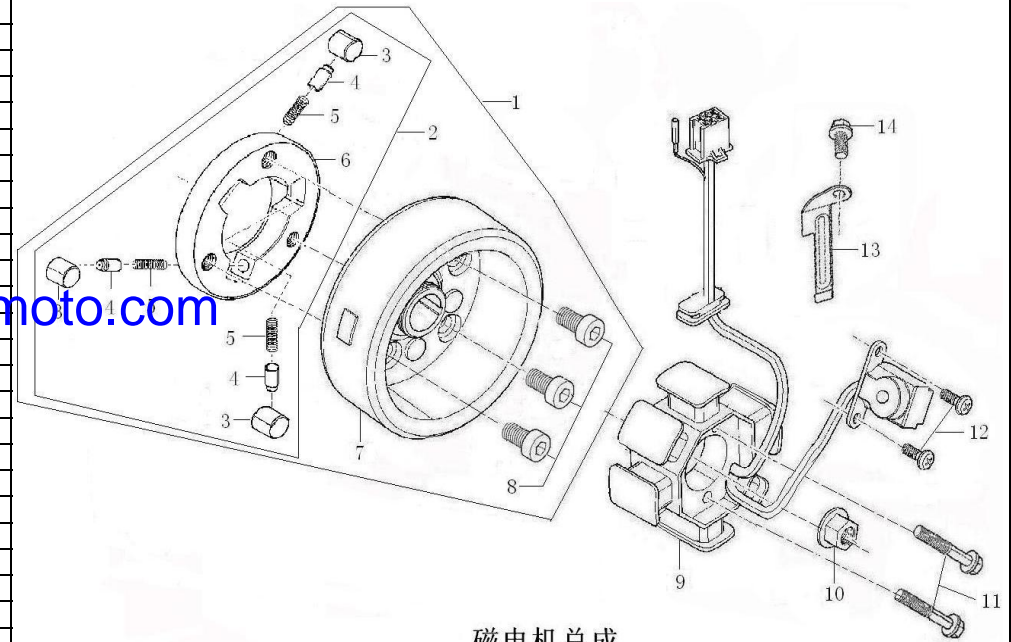
变速机构 GEARSHIFT MECHANISM

序号 NO.	编码 (PART CODE)	中文名称 (CHINESE DESCRIPTION)	英文名称 (ENGLISH DESCRIPTION)	数量 QTY	备注 REMARK
1	24300-G011-00000C	C100换挡臂部件 (243.7mm 四档循环档 彩锌)	GEARSHIFT LEVER COMP	1	
2	24302-G011-0000	C100换挡回位弹簧	RETURN SPRING	1	
3	24318-D002-0000	70换挡臂拉簧	GEARSHIFT LEVER TENSION SPRING	1	
4	2432A-G011-0000	C100换挡臂臂体组合 (四档循环)	LIMIT SCREW	1	
5	24301-G011-0000	C100换挡轴组合 (243.7)	GEARSHIFT SHAFT COMP	1	
6	2242A-G011-0000	C100离合器操纵臂组合	CONTROLLING ARM ASSEMBLY, CLUTCH	1	
7	2245A-G011-0300	C100离合器凸轮板组合 (赛科龙出口专用)	CAM PLATE ASSEMBLY, CLUTCH	1	
8	24200-G011-0100	C100变速鼓部件 (四档循环档)	GEARSHIFT DRUM COMP	1	
9	24101-G011-0000	C100变速拨叉	GEARSHIFT FORK	2	
10	24102-D002-0000	70导向销	GUIDE PIN	2	
11	24103-D002-0000	70弹簧夹	CLIP, SPRING	2	
12	24213-G011-0000	C100变速鼓 (四档循环)	GEARSHIFT DRUM	1	
13	91522-04001300000	70变速鼓圆柱销4×13	PIN 4×13	4	
14	91522-03000880000	C100变速鼓滚针3×8.8	PIN 3×8.8	2	
15	91522-04000900000	70变速鼓短拨销4×9	PIN 4×9	1	
16	24202-G011-0000	C100五星板	STOPPING PLATE	1	
17	B057890006001670B	GB5789螺栓M6×16 (白锌)	BOLT M6×16	1	
18	91117-D002-0000	70变档臂定位螺栓8×11	BOLT, RETURN SPRING FIXING 8×11	1	
19	2434A-G011-0000	C100定位板组合	LOCATING PLATE ASSY	1	
20	24304-G011-0100	C100-2#定位板弹簧 (国际档专用)	SPRING, LOCATING PLATE	1	
21	B008230006001220B	GB823螺钉M6×12 (白锌)	SCREW M6×12	1	
22	88002-G011-0001	C100档位开关固定板 (长压板)	GEARSHIFT SWITCH PRESSING PLATE	1	
23	8803B-G011-010034	C100档显线束组合 (四档循环 L:340) 接口D04	GEARSHIFT SWITCH LAMP	1	
24	91149-G011-00000C	C100档显铆钉 (彩锌)	SCREW	1	
25	88004-G011-0000	C100档显动触头	CONTACT, GEARINDICATION	1	
26	24400-G007-0002	W100变速踏板部件 (BT-2)	GEARSHIFT SHAFT	1	
27					
28					
29					
30					
31					
32					
33					
34					
35					
36					
37					
38					
39					
40					
41					
42					
43					
44					
45					



磁电机总成 MAGNETO COMP

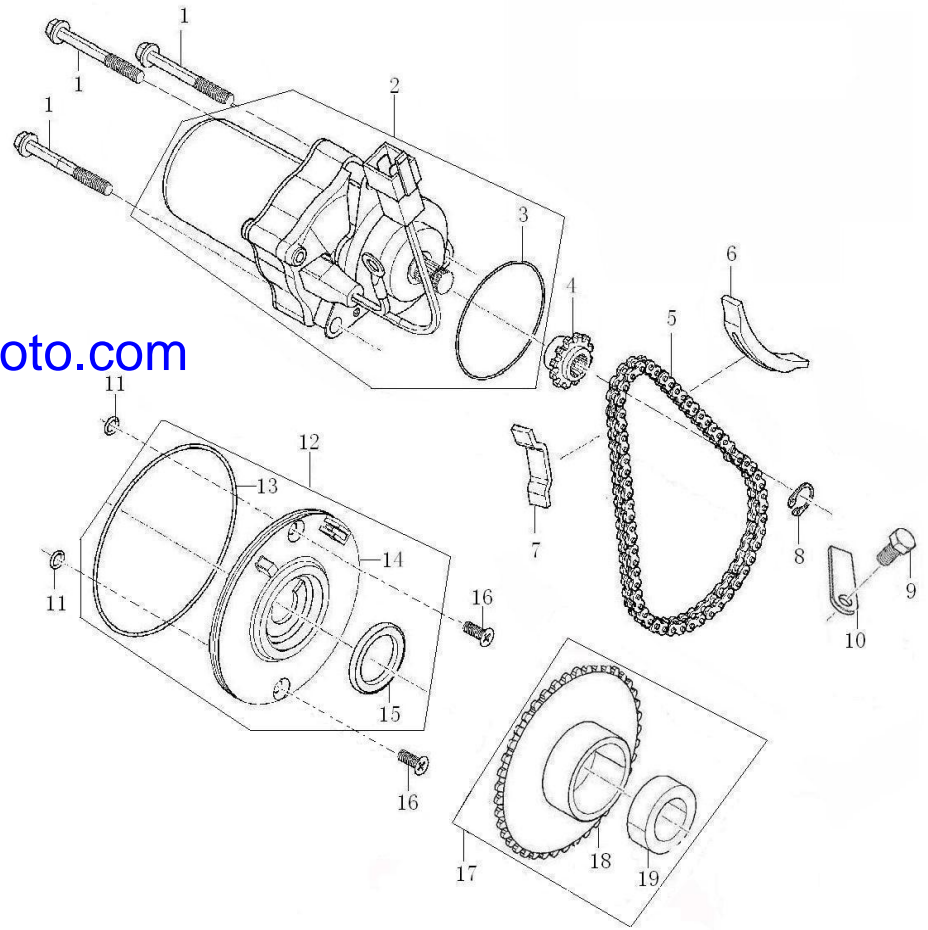
序号 NO.	编码 (PART CODE)	中文名称 (CHINESE DESCRIPTION)	英文名称 (ENGLISH DESCRIPTION)	数量 QTY	备注 REMARK
1	82130-G011-0211	C100磁电机转子组合 (12V6极低磁钢)	ROTOR ASSY, MAGNETO	1	
2	21300-G011-0002	C100-3#超越离合器部件 (M8螺纹)	ASSEMBLY, OVERRUNNING CLUTCH	1	
3	21304-G011-0000	C100启动离合器滚柱	CLUTCH ROLLER	3	
4	21305-G011-0000	C100启动离合器弹簧套/顶销	CONE BILOCKAGE	3	
5	21303-G011-0000	C100启动离合器滚柱弹簧	SPRING	3	
6	21301-G011-0100	C100-3#超越离合器本体组合 (M8螺纹)	STARTING CLUTCH BODY	1	
7	82130-G011-0201	C100磁电机转子组合 (12V6极低磁钢 无超离且超离螺栓过孔为φ8.5)	ROTOR ASSY, MAGNETO	1	
8	B000700108001570C	GB70. 1螺钉M8×15 (彩锌)	SCREW M8×15	3	
9	82120-G011-030534	C100磁电机定子组合 (12V6极半波交流小盒 L:340) 接口11	STATOR ASSY, MAGNETO	1	
10	91213-D002-00000X	70磁电机螺母 (兰白锌)	NUT	1	
11	B166740A06001870B	GB16674小盘螺栓M6×18 (白锌)	BOLT M6×18	2	
12	B057830005001270B	GB5783螺栓M5×12 (白锌)	BOLT M5×12	1	
13	12305-G011-0000	C100磁电机线夹	FIXING PLATE, MAGNETO CABLE	1	
14	B166740A06001670B	GB16674小盘螺栓M6×16 (白锌)	BOLT M6×16	1	
15					
16					
17					
18					
19					
20					
21					
22					
23					
24					
25					
26					
27					
28					
29					
30					
31					
32					
33					
34					
35					
36					
37					
38					
39					
40					
41					
42					
43					
44					
45					



磁电机总成
MAGNETO COMP

电启动机构 ELECTRIC STARTING MECHANISM

序号 NO.	编码 (PART CODE)	中文名称 (CHINESE DESCRIPTION)	英文名称 (ENGLISH DESCRIPTION)	数量 QTY	备注 REMARK
1	B166740A06005070X	GB16674小盘螺栓M6×50(兰白锌)	BOLT M6×50	3	
2	82200-IA29-001722	S125D启动电机部件(机座8801 机壳兰白锌 DJ7022A-7.8-11 双线L:220)	STARTING MOTOR ASSY	1	
3	90101-10525000200	S125D启动电机O形密封圈52.5×2(丁腈胶)	O-RING 52.5×2	1	
4	82201-G011-0000	C100启动电机小链轮	SPROCKET	1	
5	2141B-IA29-0000	S125D启动链条组合(62节加厚)	STARTING MOTOR DRIVE CHAIN	1	
6	2144B-G011-0000	C100链条导板组合	ASSEMBLY, GUIDE PLATE	1	
7	2143B-G011-0000	C100链条护板组合	ASSEMBLY, CHAIN PROTECT PLATE	1	
8	B0089401110000000	GB894.1挡圈11	CIRCLIP 11	1	
9	B057830006001270B	GB5783螺栓M6×12(白锌)	BOLT M6×12	1	
10	21407-G011-0000	C100启动链轮定位板	PLATE, START CLUTCH	1	
11	90101-10065000180	70定子盘O形圈6.5×1.8(丁腈胶)	O-RING 6.5×1.8	2	
12	2140B-G011-0000	C100隔油盘组件	DISK INSULATOR	1	
13	90101-21068000200	C100隔油盘O形圈106.8×2(氟硅胶)	O-RING 106.8×2	1	
14	21406-G011-0000	C100隔油盘	DISK INSULATOR	1	
15	90308-G011-0000	C100定子盘油封30×42×4.5(丁腈胶)	OIL SEAL 30×42×4.5	1	
16	B008190106001620B	GB819.1螺钉M6×16(白锌)	SCREW M6×16	2	
17	21420-G011-0700	C100-7#启动大链轮组件	PLATE GEAR ASSY	1	
18	2142A-G011-0700	C100-7#启动大链轮组合(隔油盘端外径30.3mm)	PLATE GEAR ASSY	1	
19	90309-G011-0000	C100链轮油封19×30×5(丁腈胶)	OIL SEAL 19×30×5	1	
20					
21					
22					
23					
24					
25					
26					
27					
28					
29					
30					
31					
32					
33					
34					
35					
36					
37					
38					
39					
40					
41					
42					
43					
44					
45					

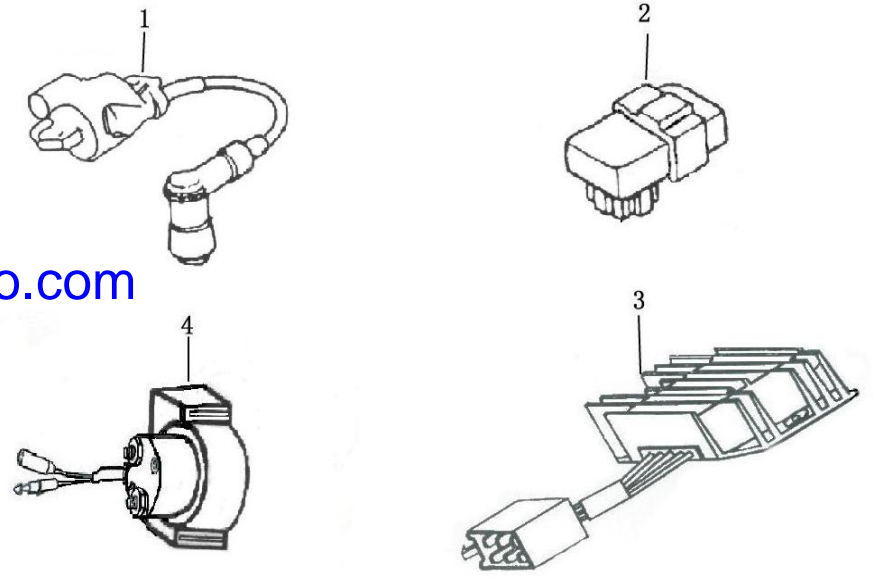


电启动机构
ELECTRIC STARTING MECHANISM

电 器 件 ELECTRIC

序号 NO.	编码 (PART CODE)	中文名称 (CHINESE DESCRIPTION)	英文名称 (ENGLISH DESCRIPTION)	数量 QTY	备注 REMARK
1	81100-D002-000050	高压包MG01A L:500	IGNITION COIL	1	
2	81200-G011-0000	点火器MD100	C. D. I	1	
3	83100-G011-0000	整流调压器MT12V6-ZS02	RECTIFIER	1	
4	82290-I049-000016	继电器MQJ10-ZS01A	RELAY	1	
5					
6					
7					
8					
9					
10					
11					
12					
13					
14					
15					
16					
17					
18					
19					
20					
21					
22					
23					
24					
25					
26					
27					
28					
29					
30					
31					
32					
33					
34					
35					
36					
37					
38					
39					
40					
41					
42					
43					
44					
45					

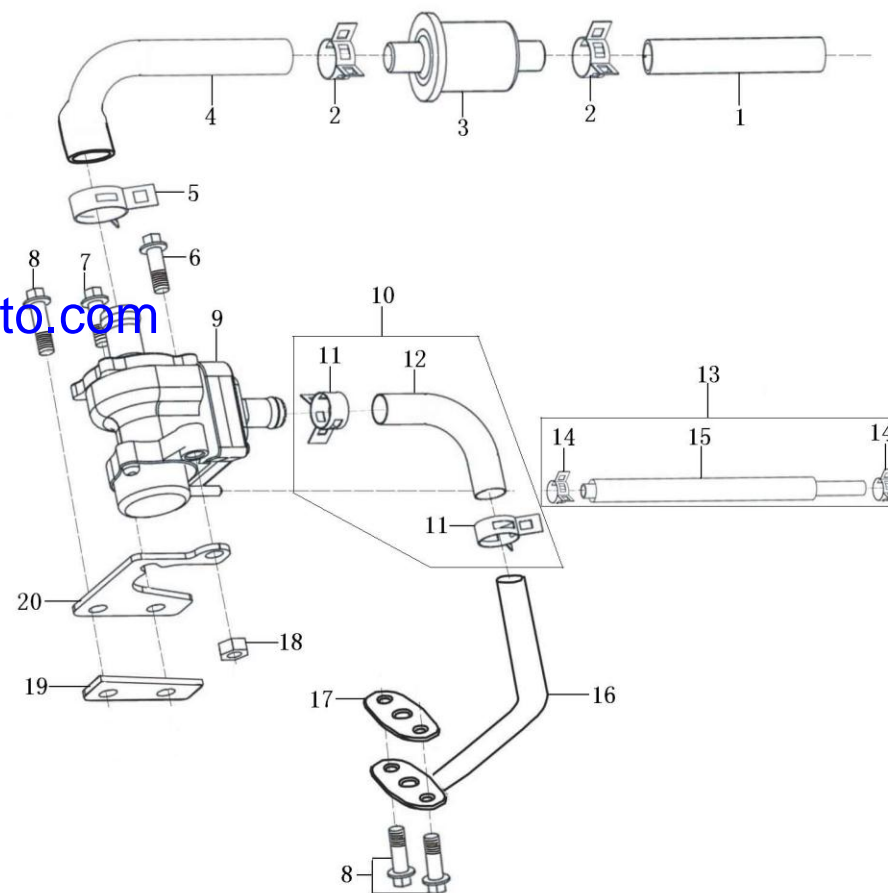
www.seacubemoto.com



电 器 件
 ELECTRIC

环保装置 ENVIRONMENT PROTECT MECHANISM

序号 NO.	编码 (PART CODE)	中文名称 (CHINESE DESCRIPTION)	英文名称 (ENGLISH DESCRIPTION)	数量 QTY	备注 REMARK
1	16156-G011-0000	C100二次空滤器连接胶管 I	CONNECTING PIPE	1	
2	16157-I008-0000	CG125D二次空滤器连接胶管卡圈14	HOOP	2	
3	16160-I008-0000	CG125D二次空滤器部件	SEC. AIR BOX VALVE	1	
4	16156-I008-0000	CG125D二次空滤器连接胶管 I (14×9×230 (35))	CONNECTING PIPE	1	
5	16157-I008-0100	CG125D二次空滤器连接胶管卡圈15.3	HOOP	1	
6	B166740A06001870X	GB16674小盘螺栓M6×18(兰白锌)	BOLT M6×18	1	
7	B166740A06002570X	GB16674小盘螺栓M6×25(兰白锌)	BOLT M6×25	1	
8	B166740A06001670X	GB16674小盘螺栓M6×16(兰白锌)	BOLT M6×16	3	
9	18090-G011-0001	C100空气泵(带防尘胶套)	GAS PUMP	1	
10	18110-G011-0000	C100废气循环橡胶管组件 I (58×58)	RUBBER PIPE	1	
11	18097-I008-0000	CG125D废气循环管 I 卡箍	CLAMP	2	
12	18092-G011-0000	C100废气循环橡胶管 I (58×58)	RUBBER PIPE	1	
13	18110-I008-0100	CG125D废气循环橡胶管组件 II-1#(φ9×φ4×300)	RUBBER PIPE	1	
14	18097-I008-0100	CG125D废气循环管 II 卡箍	CLAMP	2	
15	18092-I008-0100	CG125D废气循环橡胶管 II (φ9×φ4×300)	RUBBER PIPE	1	
16	1809B-G011-02000Y	C100-3#废气循环铁管组合(电泳黑漆)	IRON PIPE	1	
17	90268-DA80-0000	PW70废气循环铁管纸垫	PAPER GASKET	1	
18	B061770106000090X	GB6177.1螺母M6(兰白锌)	NUT 6	1	
19	90274-I008-0000	CG125D二次空气泵支架隔热垫	INSULATING GASKET	1	
20	18089-I008-00000C	CG125D空气泵支架板(彩锌)	GAS PUMP PLATE	1	
21					
22					
23					
24					
25					
26					
27					
28					
29					
30					
31					
32					
33					
34					
35					
36					
37					
38					
39					
40					
41					
42					
43					
44					
45					



环保装置
ENVIRONMENT PROTECT MECHANISM