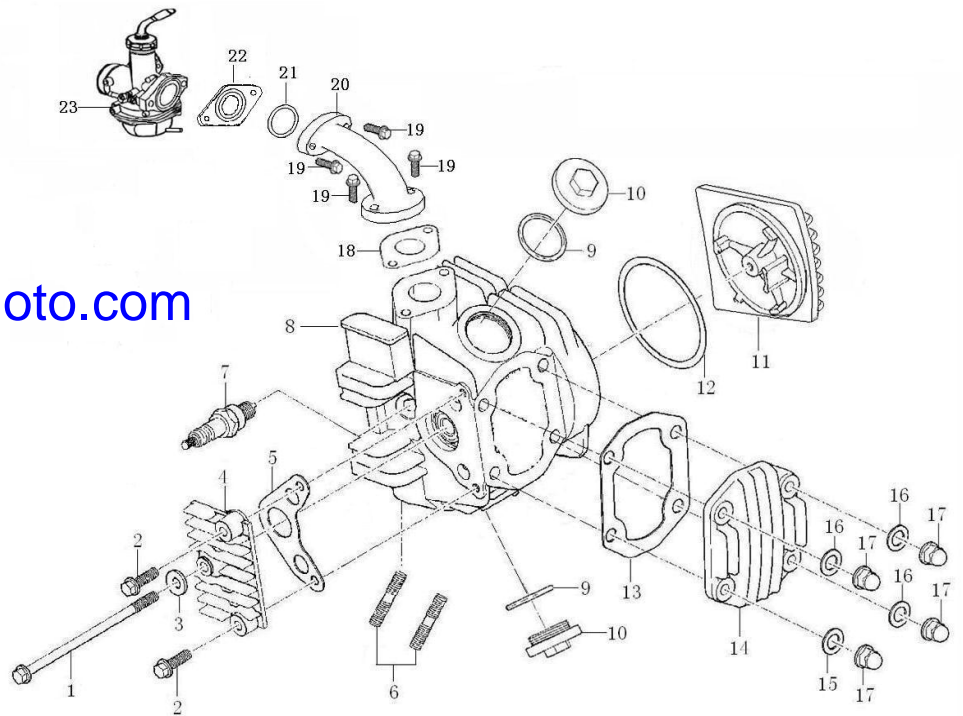


气缸头部件 CYLINDER HEAD ASSY

| 序号 NO. | 编码 (PART CODE) | 中文名称 (CHINESE DESCRIPTION) | 英文名称 (ENGLISH DESCRIPTION) | 数量 QTY | 备注 REMARK |
|--------|-------------------|------------------------------|-----------------------------------|--------|-----------|
| 1 | 91192-D002-00000X | 70缸头左右盖连接螺栓M6×110(兰白锌) | BOLT M6×110 | 1 | |
| 2 | B166740A06002070X | GB16674小盘螺栓M6×20(兰白锌) | BOLT M6×20 | 2 | |
| 3 | 93301-70651012000 | 70铝垫圈6.5×1×12 | WASHER 6.5×1×12 | 1 | |
| 4 | 11228-G011-01000W | C100-2#气缸头右盖组合(抛丸钝化) | RIGHT COVER, CYLINDER HEAD | 1 | |
| 5 | 90203-D002-0000 | 70气缸头右盖密封垫 | GASKET, R. CYLINDER HEAD COVER | 1 | |
| 6 | 91138-I015-00000X | GY6缸头排气口双头螺栓M6×32(兰白锌) | BOLT M6×32 | 2 | |
| 7 | 81300-G011-0000 | C100火花塞部件 | SPARK PLUG | 1 | |
| 8 | 1122B-HZ30-00000W | C110-1#气缸头组合(抛丸钝化) | CYLINDER HEAD ASSY | 1 | |
| 9 | 90101-20296000320 | 70气门盖O形圈29.6×3.2(氟硅胶) | O-RING 29.6×3.2 | 2 | |
| 10 | 11230-D002-00000W | 70气门室盖(抛丸钝化) | COVER, VALVE CHAMBER | 2 | |
| 11 | 11227-G011-01000W | C100-2#气缸头左盖(限位柱高度11.3 抛丸钝化) | LEFT COVER, CYLINDER HEAD | 1 | |
| 12 | 90202-D002-0000 | 70气缸头左盖密封垫 | GASKET, CYLINDER HEAD COVER | 1 | |
| 13 | 90201-D002-0000 | 70气缸头上盖密封垫 | GASKET, CYLINDER HEAD UPPER COVER | 1 | |
| 14 | 11226-G011-00000W | C100气缸头上盖(抛丸钝化) | UPPER COVER, CYLINDER HEAD | 1 | |
| 15 | 93301-80732514000 | C100缸头盖铜垫圈7.3×2.5×14 | WASHER 7.3×2.5×14 | 1 | |
| 16 | 93301-2073251400B | C100缸头盖铁垫圈7.3×2.5×14(白锌) | WASHER 7.3×2.5×14 | 3 | |
| 17 | 91201-G011-00000X | C100缸头盖盖形螺母M7(兰白锌) | NUT M7 | 4 | |
| 18 | 15810-G001-0000 | 100进气管密封垫 | GASKET, INLET PIPE | 1 | |
| 19 | B057830006002570X | GB5783螺栓M6×25(兰白锌) | BOLT M6×25 | 4 | |
| 20 | 15800-F009-0004 | 90D进气管(JQ-4) | INLET PIPE | 1 | |
| 21 | 90101-10250000240 | 70化油器隔热垫O形圈25×2.4(丁腈胶) | O-RING 25×2.4 | 1 | |
| 22 | 90214-G011-0000 | C100化油器隔热垫 | GASKET, CARBURETOR | 1 | |
| 23 | 17100-0000-0012 | C100化油器(PZ19 拉索)带燃油开关 | CARBURETOR | 1 | |
| 24 | | | | | |
| 25 | | | | | |
| 26 | | | | | |
| 27 | | | | | |
| 28 | | | | | |
| 29 | | | | | |
| 30 | | | | | |
| 31 | | | | | |
| 32 | | | | | |
| 33 | | | | | |
| 34 | | | | | |
| 35 | | | | | |
| 36 | | | | | |
| 37 | | | | | |
| 38 | | | | | |
| 39 | | | | | |
| 40 | | | | | |
| 41 | | | | | |
| 42 | | | | | |
| 43 | | | | | |
| 44 | | | | | |
| 45 | | | | | |

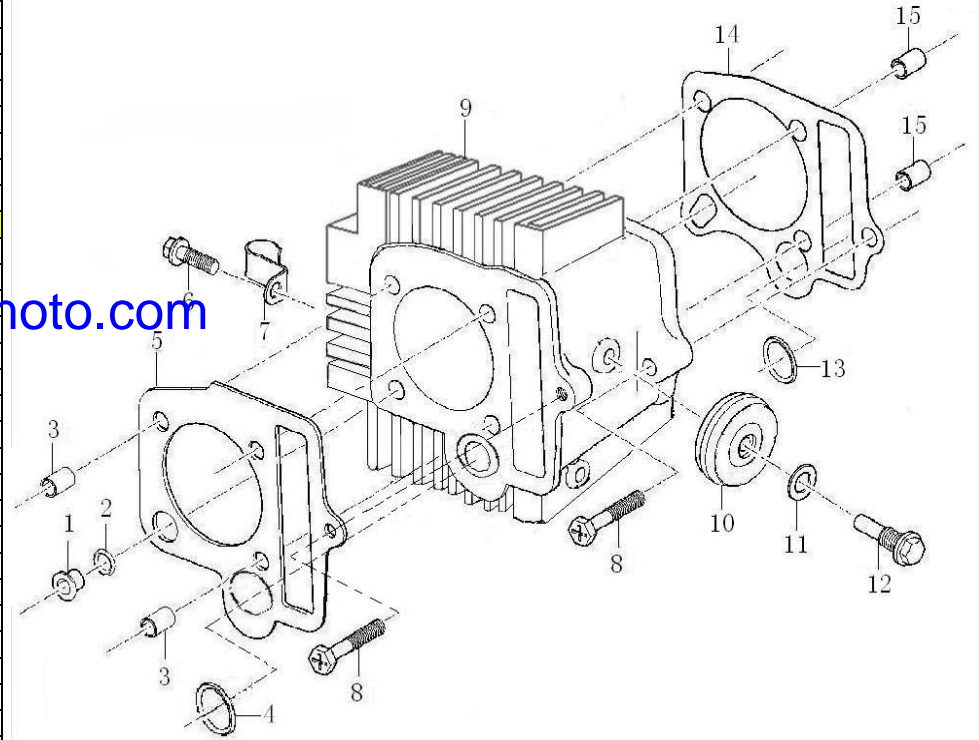
www.seacubemoto.com



气缸头部件
CYLINDER HEAD ASSY

气缸体部件 CYLINDER ASSEMBLY

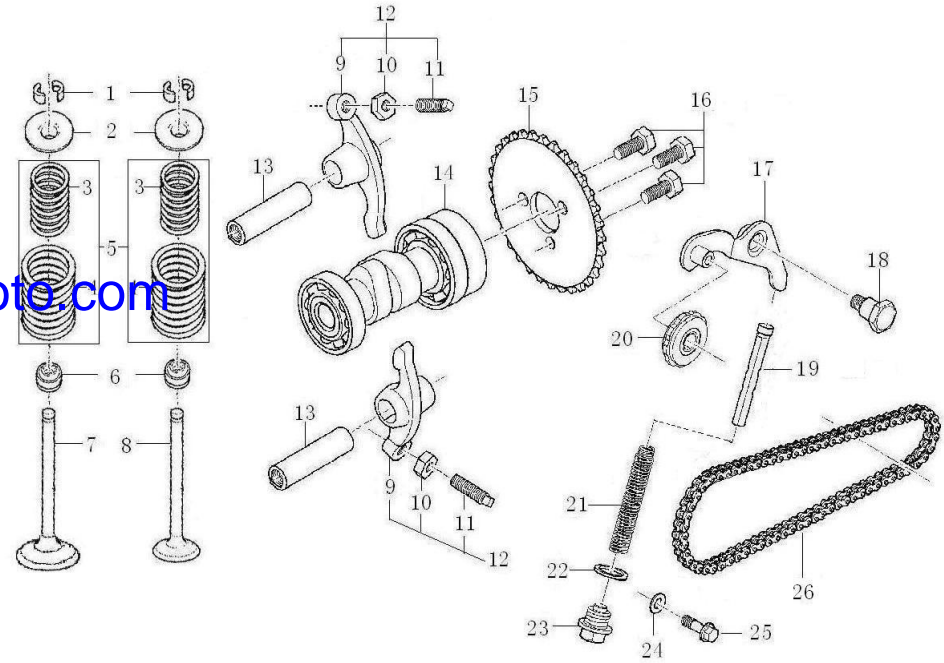
| 序号 NO. | 编码 (PART CODE) | 中文名称 (CHINESE DESCRIPTION) | 英文名称 (ENGLISH DESCRIPTION) | 数量 QTY | 备注 REMARK |
|--------|-------------------|----------------------------|----------------------------|--------|-----------|
| 1 | 11235-D002-0000 | 70反沿衬套9.5 | BUSH 9.5 | 1 | |
| 2 | 90102-D002-0001 | 70矩形密封圈 φ8×10.8×1.5 | RECTANGLE RING 8×10.8×1.5 | 1 | |
| 3 | 91521-08001400070 | C100定位销8×14×7 | PIN 8×14×7 | 2 | |
| 4 | 90102-D002-0003 | 70矩形密封圈 φ14×18.2×2.5 | RECTANGLE RING 14×18.2×2.5 | 1 | |
| 5 | 9022B-HZ30-0000 | C110气缸头密封垫组合 | GASKET ASSY, CYLINDER HEAD | 1 | |
| 6 | B166740A06001670X | GB16674小盘螺栓M6×16(兰白锌) | BOLT M6×16 | 1 | |
| 7 | 11003-D002-00000X | 70高压线固定夹(兰白锌) | CLIP, HIGH VOLTAGE WIRE | 1 | |
| 8 | 91113-D002-00000X | 70缸体箱体连接螺栓M6×23(兰白锌) | BOLT M6×23 | 2 | |
| 9 | 1110B-HZ30-00000Y | C110气缸体部件(缸标108 铸铁电泳黑) | CYLINDER BLOCK ASSEMBLY | 1 | |
| 10 | 1533A-HZ30-0000 | C110链条导向轮组合(45) | GUIDE CHAIN ROLLER SET | 1 | |
| 11 | 93301-70851514000 | 70导向销轴铝垫圈8.5×1.5×14 | WASHER 8.5×1.5×14 | 1 | |
| 12 | 15302-D002-00000X | 70导向滚轮销轴(兰白锌) | GUIDE CHAIN ROLLER PIN | 1 | |
| 13 | 90102-D002-0002 | 70矩形密封圈 φ11.5×16×2.5 | RECTANGLE RING 11.5×16×2.5 | 1 | |
| 14 | 90205-HZ30-0000 | C110气缸体密封垫 | GASKET, CYLINDER BLOCK | 1 | |
| 15 | 91521-08001200070 | C100缸体箱体连接定位销8×12×7 | PIN 8×12×7 | 2 | |
| 16 | | | | | |
| 17 | | | | | |
| 18 | | | | | |
| 19 | | | | | |
| 20 | | | | | |
| 21 | | | | | |
| 22 | | | | | |
| 23 | | | | | |
| 24 | | | | | |
| 25 | | | | | |
| 26 | | | | | |
| 27 | | | | | |
| 28 | | | | | |
| 29 | | | | | |
| 30 | | | | | |
| 31 | | | | | |
| 32 | | | | | |
| 33 | | | | | |
| 34 | | | | | |
| 35 | | | | | |
| 36 | | | | | |
| 37 | | | | | |
| 38 | | | | | |
| 39 | | | | | |
| 40 | | | | | |
| 41 | | | | | |
| 42 | | | | | |
| 43 | | | | | |
| 44 | | | | | |
| 45 | | | | | |



气缸体部件
CYLINDER ASSEMBLY

配气机构 VALVE MECHANISM

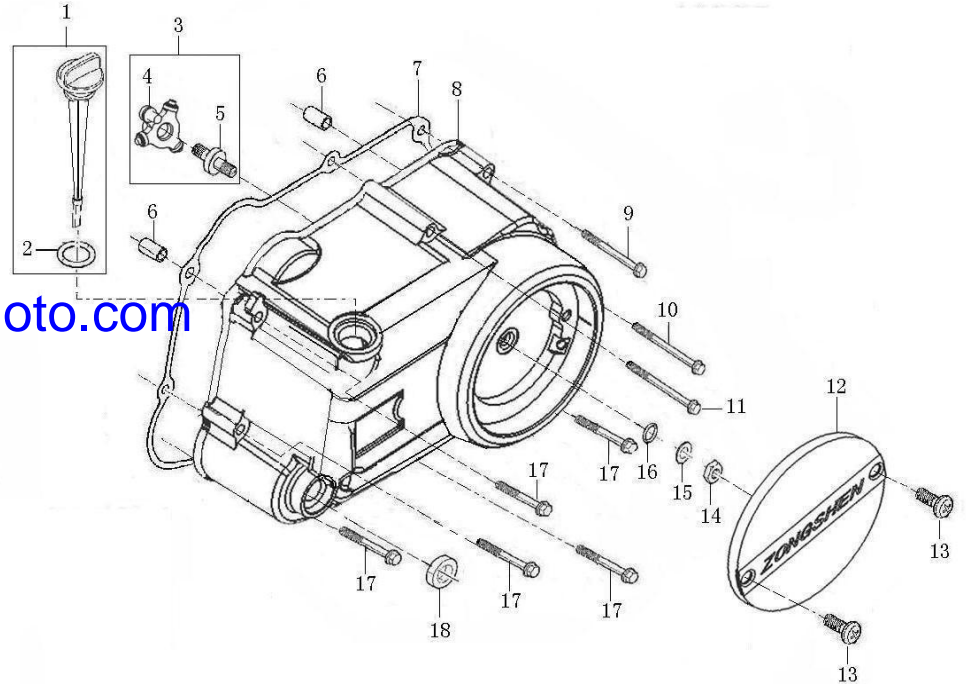
| 序号 NO. | 编码 (PART CODE) | 中文名称 (CHINESE DESCRIPTION) | 英文名称 (ENGLISH DESCRIPTION) | 数量 QTY | 备注 REMARK |
|--------|-------------------|----------------------------|----------------------------|--------|-----------|
| 1 | 15707-D002-0000 | 70气门锁夹 | VALVE COTTER | 4 | |
| 2 | 15705-D002-0000 | 70气门弹簧座(上) | SPRING SEAT | 2 | |
| 3 | 15704-D002-0200 | 70-3#气门内弹簧 | VALVE INNER SPRING | 2 | |
| 4 | 15703-D002-0000 | 70气门外弹簧 | VALVE OUTER SPRING | 2 | |
| 5 | 15710-D002-0200 | 70-3#气门内外弹簧组合 | INNER SPRING, ASSY | 2 | |
| 6 | 1572B-D002-0000 | 70挡油罩组合 | SEAL, VALVE STEM | 2 | |
| 7 | 15701-D002-0000 | 70进气门 | INLET VALVE | 1 | |
| 8 | 15702-D002-0000 | 70排气门 | EXHAUST VALVE | 1 | |
| 9 | 15401-D002-0000 | 70气门摇臂 | ROCKER ARM | 2 | |
| 10 | 15403-D002-0000 | 70气门间隙调节螺母 | NUT, VALVE CLEARANCE | 2 | |
| 11 | 15404-D002-0000 | 70气门间隙调节螺钉 | SCREW, VALVE CLEARANCE | 2 | |
| 12 | 1540A-D002-0000 | 70气门摇臂组合 | ROCKER BR ASSY | 2 | |
| 13 | 15402-D002-0000 | 70气门摇臂轴 | ROCKER SHAFT | 2 | |
| 14 | 15100-G011-0005 | C100凸轮轴部件(轴承16003、16002) | CAMP SHAFT COMP | 1 | |
| 15 | 15301-D002-0000 | 70正时从动链轮 | TIMING DRIVEN SPROCKET | 1 | |
| 16 | 91191-D002-0000 | 70正时链轮螺栓M5×12 | BOLT M5×12 | 3 | |
| 17 | 1556B-D002-0000 | 70链条张紧臂组合 | CHAIN ADJUSTING SET | 1 | |
| 18 | 15505-D002-0000 | 70链条张紧臂芯轴 | AXLE, TENSIONER LEVER | 1 | |
| 19 | 1555B-D002-0000 | 70链条张紧杆组合 | CHAIN TYHT SET | 1 | |
| 20 | 1554B-D002-0000 | 70链条张紧轮组合 | LIFTER ASSY | 1 | |
| 21 | 15503-D002-0000 | 70链条张紧杆弹簧 | SPRING | 1 | |
| 22 | 93301-71451520000 | 70密封螺塞铝垫圈14.5×1.5×20 | WASHER 14.5×1.5×20 | 1 | |
| 23 | 91105-D002-00000X | 70密封螺塞M14×1.5(兰白锌) | SEALING PLUG M14×1.5 | 1 | |
| 24 | 93301-70621513000 | 70张紧杆注油铝垫圈6.2×1.5×13 | WASHER 6.2×1.5×13 | 1 | |
| 25 | B166740006001870X | GB16674大盘螺栓M6×18(兰白锌) | BOLT M6×18 | 1 | |
| 26 | 1532B-G011-0000 | C100正时链条组合(84) | SPROKET CHAIN | 1 | |
| 27 | | | | | |
| 28 | | | | | |
| 29 | | | | | |
| 30 | | | | | |
| 31 | | | | | |
| 32 | | | | | |
| 33 | | | | | |
| 34 | | | | | |
| 35 | | | | | |
| 36 | | | | | |
| 37 | | | | | |
| 38 | | | | | |
| 39 | | | | | |
| 40 | | | | | |
| 41 | | | | | |
| 42 | | | | | |
| 43 | | | | | |
| 44 | | | | | |
| 45 | | | | | |



配气机构
VALVE MECHANISM

右曲轴箱盖 RIGHT CRANKCASE COVER

| 序号 NO. | 编码 (PART CODE) | 中文名称 (CHINESE DESCRIPTION) | 英文名称 (ENGLISH DESCRIPTION) | 数量 QTY | 备注 REMARK |
|--------|-------------------|-----------------------------|-----------------------------|--------|-----------|
| 1 | 14301-G011-0000 | C100机油尺组合(白板 本色)整体式 | OIL RULER ASSY | 1 | |
| 2 | 90101-10180000300 | CG125机油尺O形圈18×3(丁腈胶) | O-RING 18×3 | 1 | |
| 3 | 2244A-G031-00000X | Z100离合器挺杆体组件(滚柱式 带调节螺栓 兰白锌) | CLUTCH TAPPET | 1 | |
| 4 | 22440-G011-0000 | C100离合器挺杆体组件(滚柱式) | CLUTCH TAPPET | 1 | |
| 5 | 91112-G031-00000X | Z100离合器调节螺栓M8(兰白锌) | BOLT M8 | 1 | |
| 6 | 91521-08001200063 | 70定位销8×12×6.3 | PIN 8×12×6.3 | 2 | |
| 7 | 90206-D002-0000 | 70右曲轴箱盖密封垫 | GASKET, R. CRANKCASE COVER | 1 | |
| 8 | 12421-G031-000089 | Z100右曲轴箱盖(白板 普通款 8801) | COVER COMP. RIGHT CRANKCASE | 1 | |
| 9 | B166740A06008070X | GB16674小盘螺栓M6×80(兰白锌) | BOLT M6×80 | 1 | |
| 10 | B166740A06009070X | GB16674小盘螺栓M6×90(兰白锌) | BOLT M6×90 | 1 | |
| 11 | B166740A06006570X | GB16674小盘螺栓M6×65(兰白锌) | BOLT M6×65 | 1 | |
| 12 | 12425-G001-000189 | 100右盖装饰盖(ZONGSHEN 大圆盖 8801) | COVER COMP. RIGHT CRANKCASE | 1 | |
| 13 | B008200006001620X | GB820螺钉M6×16(兰白锌) | SCREW M6×16 | 2 | |
| 14 | B061700008000090B | GB6170螺母M8(白锌) | NUT 8 | 1 | |
| 15 | B000970108000000B | GB97.1垫圈8(白锌) | WASHER φ8 | 1 | |
| 16 | 90101-10080000180 | C100离合器调节螺栓O形圈8×1.8(丁腈胶) | O-RING 8×1.8 | 1 | |
| 17 | B166740A06004070X | GB16674小盘螺栓M6×40(兰白锌) | BOLT M6×40 | 5 | |
| 18 | 90304-D002-0000 | 70启动轴油封13.8×24×5(丁腈胶) | OIL SEAL 13.8×24×5 | 1 | |
| 19 | | | | | |
| 20 | | | | | |
| 21 | | | | | |
| 22 | | | | | |
| 23 | | | | | |
| 24 | | | | | |
| 25 | | | | | |
| 26 | | | | | |
| 27 | | | | | |
| 28 | | | | | |
| 29 | | | | | |
| 30 | | | | | |
| 31 | | | | | |
| 32 | | | | | |
| 33 | | | | | |
| 34 | | | | | |
| 35 | | | | | |
| 36 | | | | | |
| 37 | | | | | |
| 38 | | | | | |
| 39 | | | | | |
| 40 | | | | | |
| 41 | | | | | |
| 42 | | | | | |
| 43 | | | | | |
| 44 | | | | | |
| 45 | | | | | |

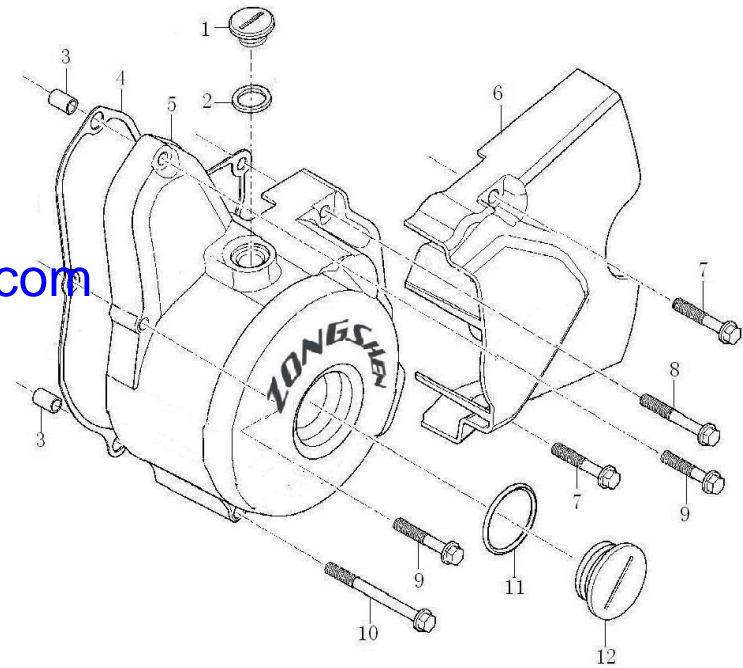


右曲轴箱盖
RIGHT CRANKCASE COVER

左曲轴箱盖 LEFT CRANKCASE COVER

| 序号 NO. | 编码 (PART CODE) | 中文名称 (CHINESE DESCRIPTION) | 英文名称 (ENGLISH DESCRIPTION) | 数量 QTY | 备注 REMARK |
|-----------|-------------------|--------------------------------------|--------------------------------|-----------|--------------|
| 1 | 12303-G011-000089 | C100小视孔盖 (8801) | CAP, SMALL VIEW HOLE | 1 | |
| 2 | 90101-10132000265 | C100小视孔盖O形圈13.2×2.65 (丁腈胶) | O-RING 13.2×2.65 | 1 | |
| 3 | 91521-08001200063 | 70定位销8×12×6.3 | PIN 8×12×6.3 | 2 | |
| 4 | 90204-G011-0000 | C100左曲轴箱前盖密封垫 | GASKET, L. CRANKCASE COVER | 1 | |
| 5 | 12301-G011-L00189 | C100左曲轴箱前盖 (6板 ZONGSHEN 凸字 普通款 8801) | FRONT PART, L. CRANKCASE COVER | 1 | |
| 6 | 12302-G011-000089 | C100左曲轴箱后盖 (C100-PT-1# 8801) | BACK PART, L. CRANKCASE COVER | 1 | |
| 7 | B166740A06002870X | GB16674小盘螺栓M6×28 (兰白锌) | BOLT M6×28 | 2 | |
| 8 | B166740A06005070X | GB16674小盘螺栓M6×50 (兰白锌) | BOLT M6×50 | 1 | |
| 9 | B166740A06003270X | GB16674小盘螺栓M6×32 (兰白锌) | BOLT M6×32 | 2 | |
| 10 | B166740A06007070X | GB16674小盘螺栓M6×70 (兰白锌) | BOLT M6×70 | 1 | |
| 11 | 90101-10274000265 | C100大视孔盖O形圈27.4×2.65 (丁腈胶) | O-RING 27.4×2.65 | 1 | |
| 12 | 12304-G011-000089 | C100大视孔盖 (8801) | CAP, BIG VIEW HOLE | 1 | |
| 13 | | | | | |
| 14 | | | | | |
| 15 | | | | | |
| 16 | | | | | |
| 17 | | | | | |
| 18 | | | | | |
| 19 | | | | | |
| 20 | | | | | |
| 21 | | | | | |
| 22 | | | | | |
| 23 | | | | | |
| 24 | | | | | |
| 25 | | | | | |
| 26 | | | | | |
| 27 | | | | | |
| 28 | | | | | |
| 29 | | | | | |
| 30 | | | | | |
| 31 | | | | | |
| 32 | | | | | |
| 33 | | | | | |
| 34 | | | | | |
| 35 | | | | | |
| 36 | | | | | |
| 37 | | | | | |
| 38 | | | | | |
| 39 | | | | | |
| 40 | | | | | |
| 41 | | | | | |
| 42 | | | | | |
| 43 | | | | | |
| 44 | | | | | |
| 45 | | | | | |

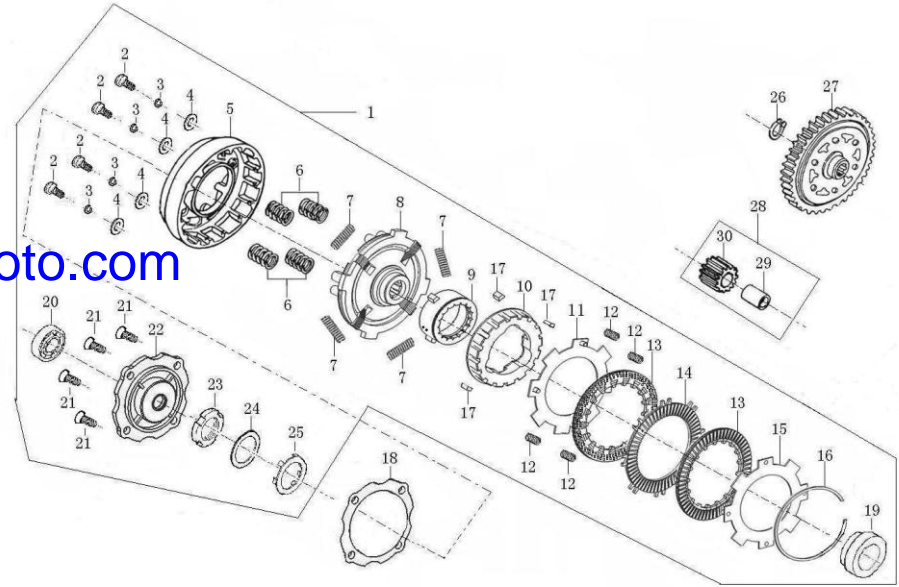
www.seacubemoto.com



左曲轴箱盖
LEFT CRANKCASE COVER

离合器总成 CLUTCH ASSY

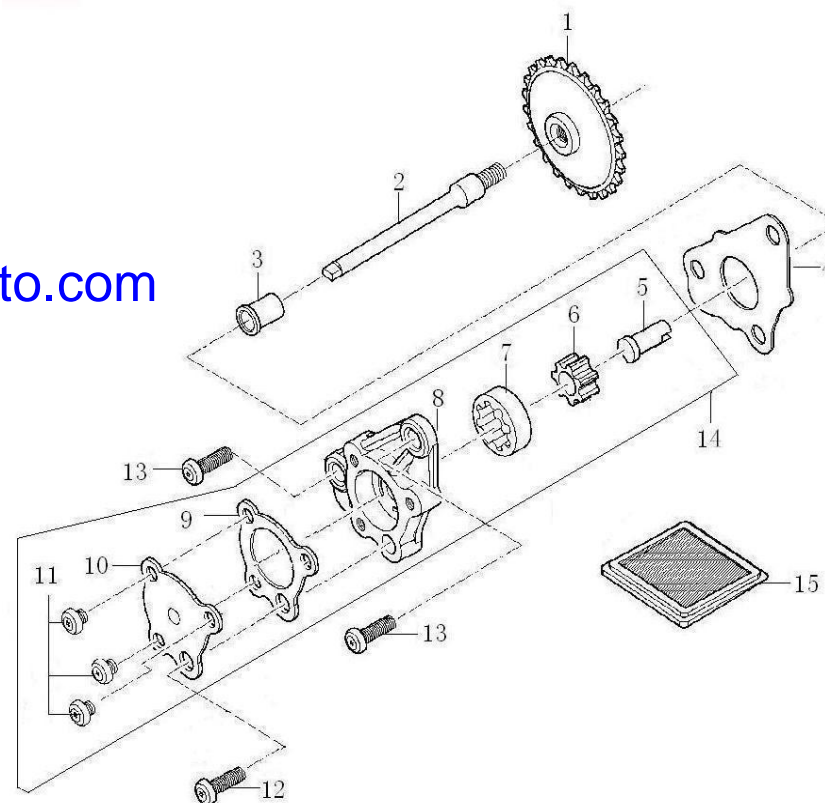
| 序号 NO. | 编码 (PART CODE) | 中文名称 (CHINESE DESCRIPTION) | 英文名称 (ENGLISH DESCRIPTION) | 数量 QTY | 备注 REMARK |
|--------|-------------------|----------------------------|----------------------------|--------|-----------|
| 1 | 22000-G031-0700 | Z100-3#离合器总成 | CLUTCH ASSY | 1 | |
| 2 | B008180005001220B | GB818螺钉M5×12(白锌) | SCREW M5×12 | 4 | |
| 3 | B0009300050000000 | GB93弹垫5 | WASHER φ5 | 4 | |
| 4 | B0009600050000K00 | GB96垫圈 5-140HV | WASHER φ5-140HV | 4 | |
| 5 | 22151-G031-0000 | Z100离合器外罩 | OUTER CASE, CLUTCH | 1 | |
| 6 | 22142-G031-0000 | Z100离合器弹簧 | SPRING, CLUTCH | 4 | |
| 7 | 22144-G031-0000 | Z100离合器减震弹簧 | ABSORBING SPRING | 4 | |
| 8 | 22110-G031-0000 | Z100离合器主动盘组件 | DRIVE PLATE COMP | 1 | |
| 9 | 22109-G031-0000 | Z100离合器定心滑套 | ALIGNING SLIDING BUSH | 1 | |
| 10 | 22102-IA30-0000 | Z125-2#离合器定心套 | HUB, CLUTCH SLEEVE | 1 | |
| 11 | 2213B-G031-0000 | Z100离合器上板组合 | CLUTCH TOP PLATE | 1 | |
| 12 | 22143-G031-0000 | Z100离合器分离弹簧 | CLUTCH CRT SPRING | 1 | |
| 13 | 22215-G031-0000 | Z100离合器从动摩擦片 | OUTER FRICTION DISK A | 2 | |
| 14 | 22214-G031-0000 | Z100离合器主动摩擦片 | DRIVE FRICTION DISK | 1 | |
| 15 | 2212B-G031-0000 | Z100离合器下板组合 | CLUTCH BELOW PLATE | 1 | |
| 16 | 91403-D002-0000 | 70离合器挡圈 | ELASTIC CHECK RING | 1 | |
| 17 | 22106-IA30-0000 | Z125-2#离合器缓冲套 | CLUTCH DASH POT SLIPCOVER | 3 | |
| 18 | 90218-G031-0000 | Z100离合器端盖密封垫 | GASKET, END COVER | 1 | |
| 19 | 22135-D002-0000 | 70主动齿座圈衬套 | SLEEVE | 1 | 附件 |
| 20 | 92102-0000006000 | 轴承(6000) | BEARING (6000) | 1 | 附件 |
| 21 | B008190205001270B | GB819. 2螺钉M5×12(白锌) | SCREW M5×12 | 4 | 附件 |
| 22 | 22121-G031-0000 | Z100离合器端盖 | END COVER, CLUTCH | 1 | 附件 |
| 23 | 91202-D002-0000 | 70离合器锁紧螺母 | LOCK NUT, CLUTCH | 1 | 附件 |
| 24 | 22004-D002-0000 | 70离合器碟形垫圈 | DISH WASHER, CLUTCH | 1 | 附件 |
| 25 | 22001-D002-0000 | 70离合器止退垫圈 | STOP WASHER, CLUTCH | 1 | 附件 |
| 26 | 23226-D002-0000 | 70主轴齿轮卡圈 | CIRCLIP | 1 | |
| 27 | 2312B-G031-0000 | Z100从动齿组合 | DRIVEN GEAR COMP | 1 | |
| 28 | 23110-G031-0000 | Z100主动齿组合 | DRIVEN GEAR | 1 | |
| 29 | 23102-G031-0000 | Z100主动齿轮轴套 | AXLE SLEEVE | 1 | |
| 30 | 23101-G031-0000 | Z100主动齿 | PRIMARY DRIVE GEAR | 1 | |
| 31 | | | | | |
| 32 | | | | | |
| 33 | | | | | |
| 34 | | | | | |
| 35 | | | | | |
| 36 | | | | | |
| 37 | | | | | |
| 38 | | | | | |
| 39 | | | | | |
| 40 | | | | | |
| 41 | | | | | |
| 42 | | | | | |
| 43 | | | | | |
| 44 | | | | | |
| 45 | | | | | |



离合器总成
CLUTCH ASSY

机油泵部件 OIL PUMP

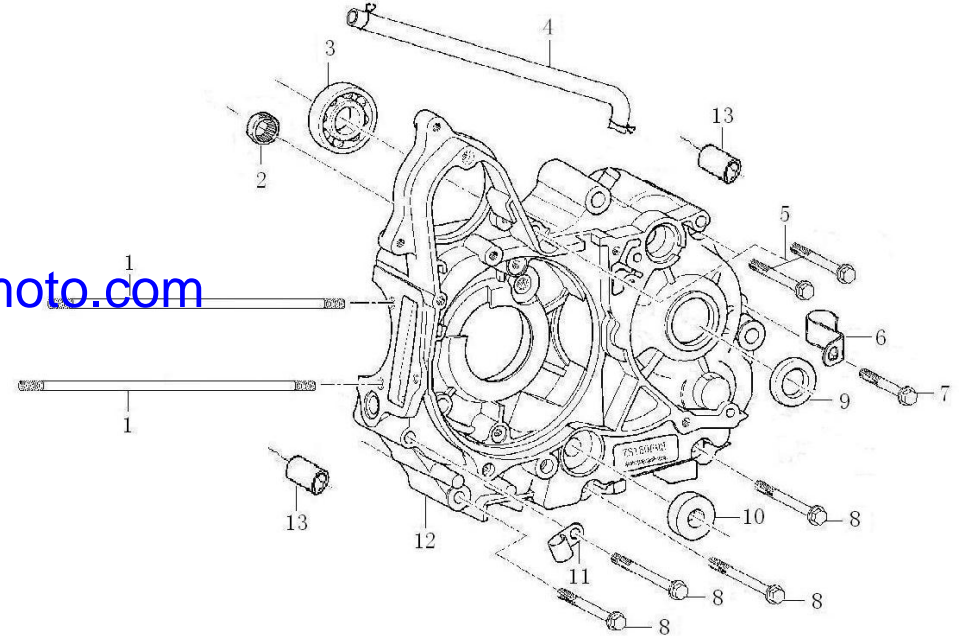
| 序号 NO. | 编码 (PART CODE) | 中文名称 (CHINESE DESCRIPTION) | 英文名称 (ENGLISH DESCRIPTION) | 数量 QTY | 备注 REMARK |
|--------|-------------------|----------------------------|-----------------------------------|--------|-----------|
| 1 | 1432B-D002-0000 | 70机油泵传动链轮组合 | HUB DUMP CHAIN SPROCKET, OIL PUMP | 1 | |
| 2 | 14302-D002-0000 | 70机油泵链轮轴 | OIL PUMP SPROCKET SHAFT | 1 | |
| 3 | 14304-D002-0000 | 70机油泵链轮轴套 | BUSH, SPROCKET | 1 | |
| 4 | 90210-D002-0000 | 70机油泵体密封垫 | GASKET, OIL PUMP | 1 | |
| 5 | 14107-G011-0000 | C100机油泵油泵轴 | SHAFT, OIL PUMP | 1 | |
| 6 | 14111-G011-0000 | C100机油泵内转子 | INNER ROTOR, OIL PUMP | 1 | |
| 7 | 14112-G011-0000 | C100机油泵外转子 | OUTER ROTOR, OIL PUMP | 1 | |
| 8 | 14110-G011-0000 | C100机油泵体 | OIL PUMP BODY | 1 | |
| 9 | 90221-D002-0000 | 70机油泵盖密封垫 | GASKET, OIL PUMP COVER | 1 | |
| 10 | 14108-G011-0000 | C100机油泵盖板 | OIL PUMP COVER | 1 | |
| 11 | B008180005001020B | GB818螺钉M5×10(白锌) | SCREW M5×10 | 3 | |
| 12 | B008230006002220B | GB823螺钉M6×22(白锌) | SCREW M6×22 | 2 | |
| 13 | B008230006001620B | GB823螺钉M6×16(白锌) | SCREW M6×16 | 2 | |
| 14 | 14100-G011-0000 | C100机油泵部件 | OIL PUMP ASSY | 1 | |
| 15 | 1431B-D002-0000 | 70机油过滤网组合 | STRAINER, OIL FILTER | 1 | |
| 16 | | | | | |
| 17 | | | | | |
| 18 | | | | | |
| 19 | | | | | |
| 20 | | | | | |
| 21 | | | | | |
| 22 | | | | | |
| 23 | | | | | |
| 24 | | | | | |
| 25 | | | | | |
| 26 | | | | | |
| 27 | | | | | |
| 28 | | | | | |
| 29 | | | | | |
| 30 | | | | | |
| 31 | | | | | |
| 32 | | | | | |
| 33 | | | | | |
| 34 | | | | | |
| 35 | | | | | |
| 36 | | | | | |
| 37 | | | | | |
| 38 | | | | | |
| 39 | | | | | |
| 40 | | | | | |
| 41 | | | | | |
| 42 | | | | | |
| 43 | | | | | |
| 44 | | | | | |
| 45 | | | | | |



机油泵部件
OIL PUMP

左曲轴箱 LEFT CRANKCASE

| 序号 NO. | 编码 (PART CODE) | 中文名称 (CHINESE DESCRIPTION) | 英文名称 (ENGLISH DESCRIPTION) | 数量 QTY | 备注 REMARK |
|--------|-------------------|----------------------------------|-------------------------------|--------|-----------|
| 1 | 91101-G011-0000 | C100气缸双头螺栓A (203mm) | CYLINDER STUD BOLT A | 2 | |
| 2 | 92102-ONK13.52212 | 滚针轴承 (NK13.5×22×12) | NEEDLE BEARING (NK13.5×22×12) | 1 | |
| 3 | 92102-00000006203 | 轴承 (6203) | BEARING (6203) | 1 | |
| 4 | 12130-G011-0102 | C100-2#通气管组件 (带2个φ10.5卡簧 复合层材料) | PIPE ASSY | 1 | |
| 5 | B166740A06006070X | GB16674小盘螺栓M6×60 (兰白锌) | BOLT M6×60 | 2 | |
| 6 | 11003-D002-00000X | 70高压线固定夹 (兰白锌) | CLIP, HIGH VOLTAGE WIRE | 1 | |
| 7 | B166740A06004570X | GB16674小盘螺栓M6×45 (兰白锌) | BOLT M6×45 | 1 | |
| 8 | B166740A06006570X | GB16674小盘螺栓M6×65 (兰白锌) | BOLT M6×65 | 4 | |
| 9 | 90303-D002-0000 | 70副轴油封17×29×5 (丁腈胶) | OIL SEAL 17×29×5 | 1 | |
| 10 | 90301-D002-0000 | 70换挡臂油封11.6×24×10 (丁腈胶) | OIL-SEAL 11.6×24×10 | 1 | |
| 11 | 12108-D002-00000X | 70溢流管夹 (兰白锌) | CLIP, OVERFLOW PIPE | 1 | |
| 12 | 1212B-F009-001089 | 90D-2#左曲轴箱组合 (小挂 有缺 新公差主轴孔 8801) | LEFT CRANKCASE, 90D | 1 | |
| 13 | 91521-10001400000 | CG125脚定位销10×14 | PIN 10×14 | 2 | |
| 14 | | | | | |
| 15 | | | | | |
| 16 | | | | | |
| 17 | | | | | |
| 18 | | | | | |
| 19 | | | | | |
| 20 | | | | | |
| 21 | | | | | |
| 22 | | | | | |
| 23 | | | | | |
| 24 | | | | | |
| 25 | | | | | |
| 26 | | | | | |
| 27 | | | | | |
| 28 | | | | | |
| 29 | | | | | |
| 30 | | | | | |
| 31 | | | | | |
| 32 | | | | | |
| 33 | | | | | |
| 34 | | | | | |
| 35 | | | | | |
| 36 | | | | | |
| 37 | | | | | |
| 38 | | | | | |
| 39 | | | | | |
| 40 | | | | | |
| 41 | | | | | |
| 42 | | | | | |
| 43 | | | | | |
| 44 | | | | | |
| 45 | | | | | |

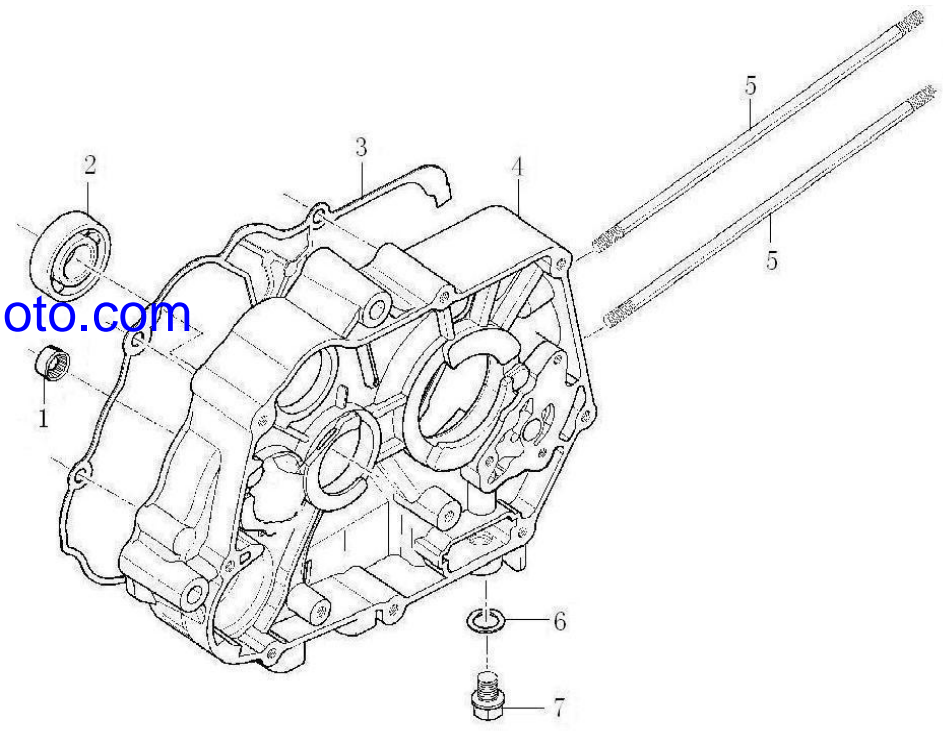


左曲轴箱
LEFT CRANKCASE

右曲轴箱 RIGHT CRANKCASE

| 序号 NO. | 编码 (PART CODE) | 中文名称 (CHINESE DESCRIPTION) | 英文名称 (ENGLISH DESCRIPTION) | 数量 QTY | 备注 REMARK |
|--------|-------------------|-----------------------------|------------------------------|--------|-----------|
| 1 | 92102-0NK13.52212 | 滚针轴承(NK13.5×22×12) | NEEDLE BEARING(NK13.5×22×12) | 1 | |
| 2 | 92102-0000006203 | 轴承(6203) | BEARING (6203) | 1 | |
| 3 | 90208-D002-0000 | 70曲轴箱密封垫 | GASKET, CRANKCASE | 1 | |
| 4 | 1222B-F004-000289 | 90-2#右曲轴箱组合(小挂 新公差副轴孔 8801) | RIGHT CRANKCASE BLOCK | 1 | |
| 5 | 91102-G011-0000 | C100气缸双头螺栓B(195.5mm) | CYLINDER STUD BOLT B | 2 | |
| 6 | 93301-71242020000 | CG125D放油螺塞铝垫圈12.4×2×20 | WASHER 12.4×2×20 | 1 | |
| 7 | 91103-I008-00000X | CG125D放油螺塞(兰白锌) | OIL DRAIN PLUG | 1 | |
| 8 | | | | | |
| 9 | | | | | |
| 10 | | | | | |
| 11 | | | | | |
| 12 | | | | | |
| 13 | | | | | |
| 14 | | | | | |
| 15 | | | | | |
| 16 | | | | | |
| 17 | | | | | |
| 18 | | | | | |
| 19 | | | | | |
| 20 | | | | | |
| 21 | | | | | |
| 22 | | | | | |
| 23 | | | | | |
| 24 | | | | | |
| 25 | | | | | |
| 26 | | | | | |
| 27 | | | | | |
| 28 | | | | | |
| 29 | | | | | |
| 30 | | | | | |
| 31 | | | | | |
| 32 | | | | | |
| 33 | | | | | |
| 34 | | | | | |
| 35 | | | | | |
| 36 | | | | | |
| 37 | | | | | |
| 38 | | | | | |
| 39 | | | | | |
| 40 | | | | | |
| 41 | | | | | |
| 42 | | | | | |
| 43 | | | | | |
| 44 | | | | | |
| 45 | | | | | |

www.seacubemoto.com

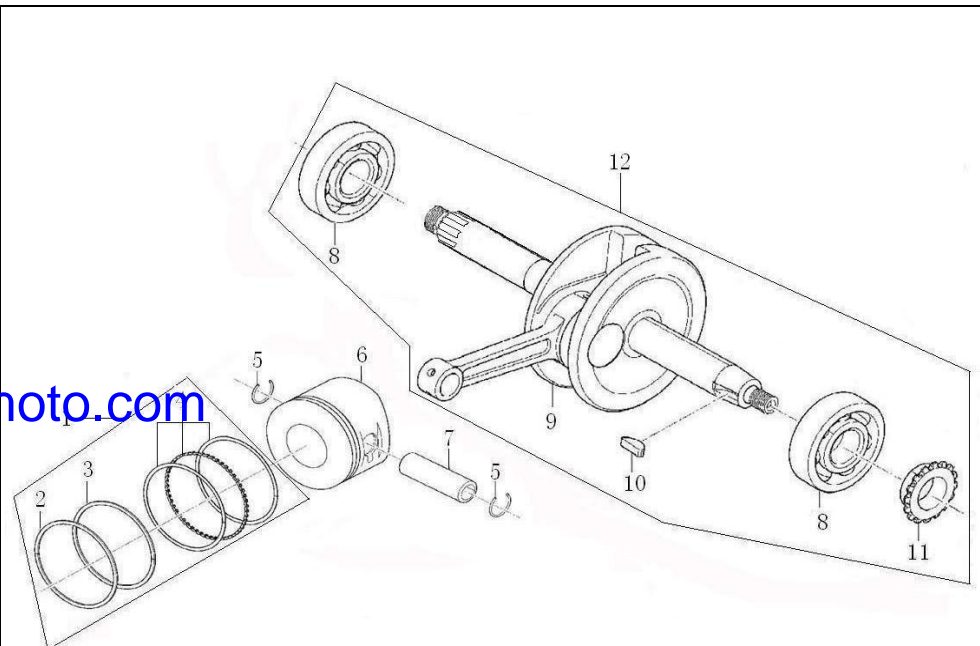


右曲轴箱
RIGHT CRANKCASE

曲轴连杆部件/活塞 CRANKSHAFT CONNECTING-ROD ASSY/PISTON

| 序号 NO. | 编码 (PART CODE) | 中文名称 (CHINESE DESCRIPTION) | 英文名称 (ENGLISH DESCRIPTION) | 数量 QTY | 备注 REMARK |
|-----------|------------------|----------------------------|--------------------------------|-----------|--------------|
| 1 | 1310A-I015-0000 | GY6活塞环总成 | PISTON RING COMP | 1 | |
| 2 | 13103-I015-0000 | GY6活塞环一 | PISTON RING 1 | 1 | |
| 3 | 13104-I015-0000 | GY6活塞环二 | PISTON RING 2 | 1 | |
| 4 | 13120-I015-0000 | GY6油环组合 | OIL RING ASSY | 1 | |
| 5 | 91401-D002-0000 | 70活塞销挡圈 | CHECK RING, PISTON PIN | 2 | |
| 6 | 13101-H020-0000 | L110活塞 | PISTON | 1 | |
| 7 | 13102-H020-0000 | L110活塞销 | PIN PISTON | 1 | |
| 8 | 92102-0000006304 | 轴承(6304) | BEARING (6304) | 2 | |
| 9 | 13220-G001-0000 | 100曲轴连杆组合(无轴承、半圆键、主动齿) | CONNECTING ROD COMP 3 | 1 | |
| 10 | 91601-D002-0000 | 70半圆键4×12.5 | SEMICIRCULAR KEY | 1 | |
| 11 | 13222-D002-0000 | 70正时主动链轮(14齿) | HUB DUMP CHAIN SPROCKET | 1 | |
| 12 | 1320B-G001-0000 | 100曲轴连杆部件 | CRANKSHAFT CONNECTING-ROD ASSY | 1 | |
| 13 | | | | | |
| 14 | | | | | |
| 15 | | | | | |
| 16 | | | | | |
| 17 | | | | | |
| 18 | | | | | |
| 19 | | | | | |
| 20 | | | | | |
| 21 | | | | | |
| 22 | | | | | |
| 23 | | | | | |
| 24 | | | | | |
| 25 | | | | | |
| 26 | | | | | |
| 27 | | | | | |
| 28 | | | | | |
| 29 | | | | | |
| 30 | | | | | |
| 31 | | | | | |
| 32 | | | | | |
| 33 | | | | | |
| 34 | | | | | |
| 35 | | | | | |
| 36 | | | | | |
| 37 | | | | | |
| 38 | | | | | |
| 39 | | | | | |
| 40 | | | | | |
| 41 | | | | | |
| 42 | | | | | |
| 43 | | | | | |
| 44 | | | | | |
| 45 | | | | | |

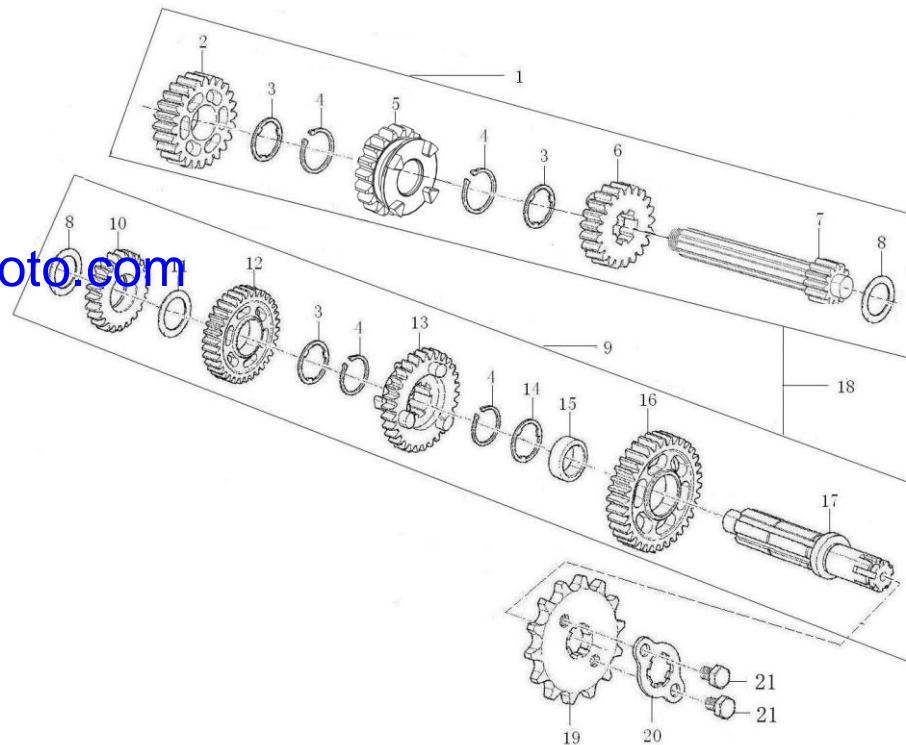
www.seacubemoto.com



曲轴连杆部件/活塞
CRANKSHAFT CONNECTING-ROD ASSY/PISTON

主副轴组合 TRANSMISSION MAIN, COUNTER SHAFT

| 序号 NO. | 编码 (PART CODE) | 中文名称 (CHINESE DESCRIPTION) | 英文名称 (ENGLISH DESCRIPTION) | 数量 QTY | 备注 REMARK |
|-----------|-------------------|----------------------------|----------------------------------|-----------|--------------|
| 1 | 23220-D002-1000 | 70主轴组合(新轴径状态) | MAIN SHAFT, TRANSMISSION | 1 | |
| 2 | 23222-D002-0004 | 70主轴4档齿轮 | GEAR M-4 | 1 | |
| 3 | 23223-D002-0000 | 70主副轴齿轮隔圈15.5(17.2)×1.2×21 | WASHER | 3 | |
| 4 | 23226-D002-0000 | 70主轴齿轮卡圈 | CIRCLIP | 4 | |
| 5 | 23222-D002-0003 | 70主轴3档齿轮 | GEAR M-3 | 1 | |
| 6 | 23222-D002-0002 | 70主轴2档齿轮 | GEAR M-2 | 1 | |
| 7 | 23221-D002-1000 | 70主轴芯轴(新轴径状态) | TRANSMISSION MAIN SHAFT | 1 | |
| 8 | 93301-51370526000 | 70主副轴垫圈13.7×0.5×26 | WASHER 13.7×0.5×26 | 2 | |
| 9 | 23240-D002-0000 | 70副轴组合 | COUNTERSHAFT TRANSMISSION | 1 | |
| 10 | 23242-D002-0004 | 70副轴4档齿轮 | GEAR C-4 | 1 | |
| 11 | 93301-51721026000 | 70副轴垫圈17.2×1.0×26 | WASHER 17.2×1.0×26 | 1 | |
| 12 | 23242-D002-0003 | 70副轴3档齿轮 | GEAR C-3 | 1 | |
| 13 | 23242-D002-0002 | 70副轴2档齿轮 | GEAR C-2 | 1 | |
| 14 | 23223-D002-0002 | 70副轴齿轮隔圈15.5(17.2)×1.2×23 | WASHER | 1 | |
| 15 | 23247-D002-0000 | 70副轴齿轮轴套 | COLLAR | 1 | |
| 16 | 23242-D002-0001 | 70副轴1档齿轮 | GEAR C-1 | 1 | |
| 17 | 23241-D002-0000 | 70副轴芯轴 | TRANSMISSION COUNTER SHAFT | 1 | |
| 18 | 23200-D002-1000 | 70主副轴组合(新轴径状态) | TRANSMISSION MAIN, COUNTER SHAFT | 1 | |
| 19 | 23401-G011-0000 | C100主动链轮(428.14) | DRIVE SPROCKET | 1 | |
| 20 | 23402-D002-0000 | 70主动链轮固定板 | FIXING PLATE, DRIVE SPROCKET | 1 | |
| 21 | B057830006001070B | GB5783螺栓M6×10(白锌) | BOLT M6×10 | 2 | |
| 22 | | | | | |
| 23 | | | | | |
| 24 | | | | | |
| 25 | | | | | |
| 26 | | | | | |
| 27 | | | | | |
| 28 | | | | | |
| 29 | | | | | |
| 30 | | | | | |
| 31 | | | | | |
| 32 | | | | | |
| 33 | | | | | |
| 34 | | | | | |
| 35 | | | | | |
| 36 | | | | | |
| 37 | | | | | |
| 38 | | | | | |
| 39 | | | | | |
| 40 | | | | | |
| 41 | | | | | |
| 42 | | | | | |
| 43 | | | | | |
| 44 | | | | | |
| 45 | | | | | |

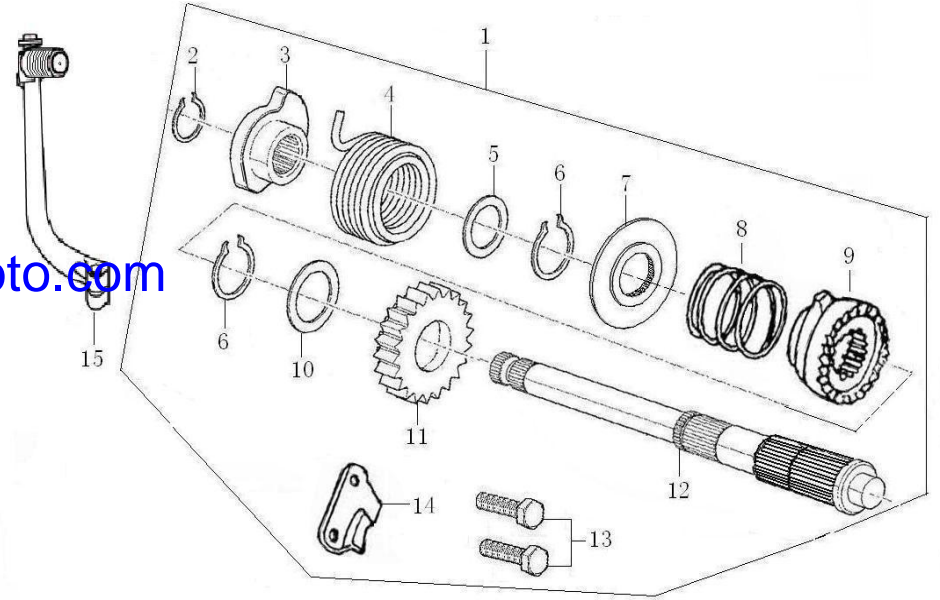


主副轴组合
TRANSMISSION MAIN, COUNTER SHAFT

启动轴总成 KICK STARTING SHAFT ASSEMBLY

| 序号 NO. | 编码 (PART CODE) | 中文名称 (CHINESE DESCRIPTION) | 英文名称 (ENGLISH DESCRIPTION) | 数量 QTY | 备注 REMARK |
|--------|-------------------|----------------------------|-------------------------------------|--------|-----------|
| 1 | 21100-D002-0001 | 70启动轴总成(199.5) | KICK STARTING SHAFT ASSEMBLY | 1 | |
| 2 | 91402-D002-0000 | 70启动轴挡圈 φ 15.5×1.2×φ 19 | CIRCLI φ 15.5×1.2×φ 19 | 1 | 附件 |
| 3 | 21104-D002-0000 | 70启动轴弹簧座 | SEAT, SPRING, KICK STARTING SHAFT | 1 | 附件 |
| 4 | 21106-D002-0000 | 70启动轴复位弹簧 | RETURN SPRING, KICK STARTING SHAFT | 1 | 附件 |
| 5 | 93301-61721024000 | 70启动轴垫圈 17.2×1.0×24 | WASHER 17.2×1.0×24 | 1 | 附件 |
| 6 | 91402-D002-0100 | 70启动轴挡圈 φ 18.5×1.2×φ 22.1 | CIRCLI φ 18.5×1.2×φ 22.1 | 2 | |
| 7 | 21122-D002-0000 | 70弹簧承座 | SPRING SUPPORT | 1 | |
| 8 | 21119-D002-0000 | 70启动棘轮弹簧 | SPRING, KICK STARTING RATCHET WHEEL | 1 | |
| 9 | 21118-D002-0000 | 70启动棘轮 | STARTING RATCHET | 1 | |
| 10 | 93301-62021027000 | 70启动轴垫圈 20.2×1.0×27 | WASHER 20.2×1.0×27 | 1 | |
| 11 | 21117-D002-0000 | 70启动齿轮 | GEAR, KICK STARTER | 1 | |
| 12 | 21107-D002-0001 | 70启动轴芯轴(199.5) | AXIS, KICK STARTING SHAFT | 1 | |
| 13 | B057830006002070B | GB5783螺栓M6×20(白锌) | BOLT M6×20 | 2 | 附件 |
| 14 | 21108-D002-0000 | 70启动轴定位板 | SPACE, RATCHET WHEEL | 1 | 附件 |
| 15 | 21200-F004-0002 | 90启动杆部件(QD-2) | START-UP BAR COMP | 1 | |
| 16 | | | | | |
| 17 | | | | | |
| 18 | | | | | |
| 19 | | | | | |
| 20 | | | | | |
| 21 | | | | | |
| 22 | | | | | |
| 23 | | | | | |
| 24 | | | | | |
| 25 | | | | | |
| 26 | | | | | |
| 27 | | | | | |
| 28 | | | | | |
| 29 | | | | | |
| 30 | | | | | |
| 31 | | | | | |
| 32 | | | | | |
| 33 | | | | | |
| 34 | | | | | |
| 35 | | | | | |
| 36 | | | | | |
| 37 | | | | | |
| 38 | | | | | |
| 39 | | | | | |
| 40 | | | | | |
| 41 | | | | | |
| 42 | | | | | |
| 43 | | | | | |
| 44 | | | | | |
| 45 | | | | | |

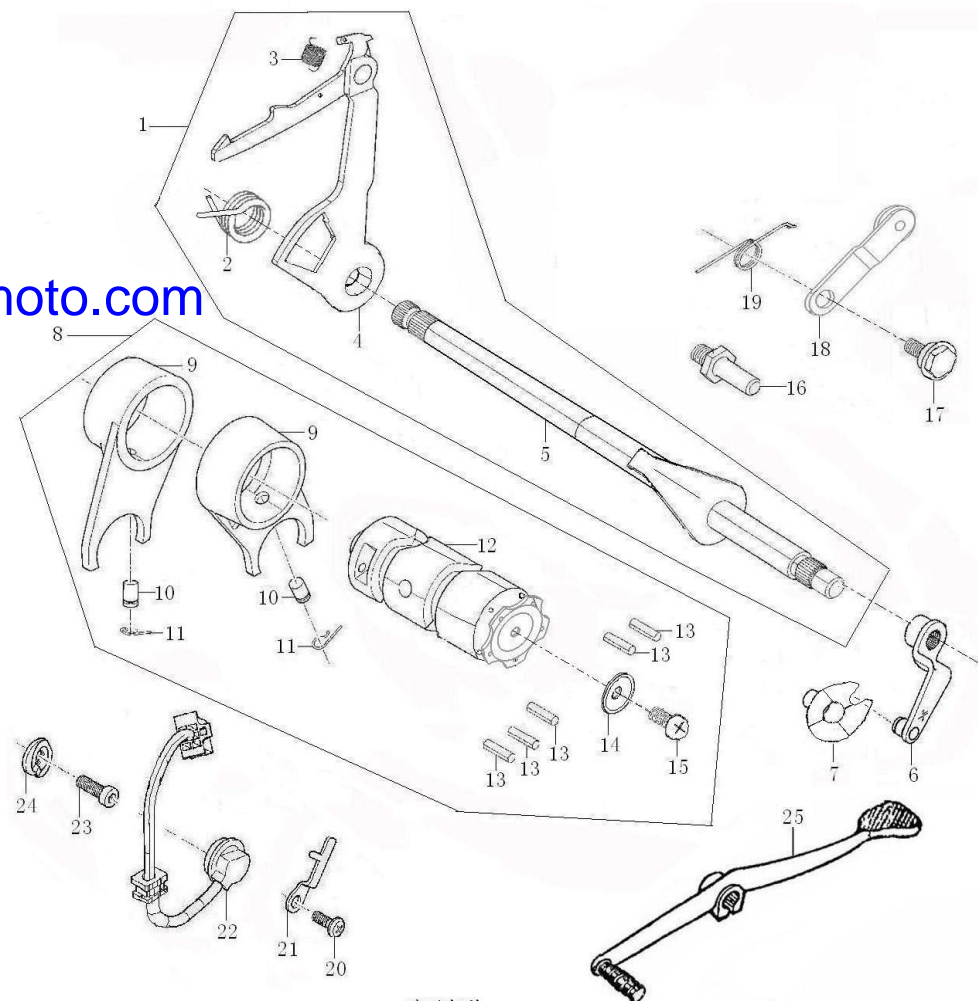
www.seacubemoto.com



启动轴总成
 KICK STARTING SHAFT ASSEMBLY

变速机构 GEARSHIFT MECHANISM

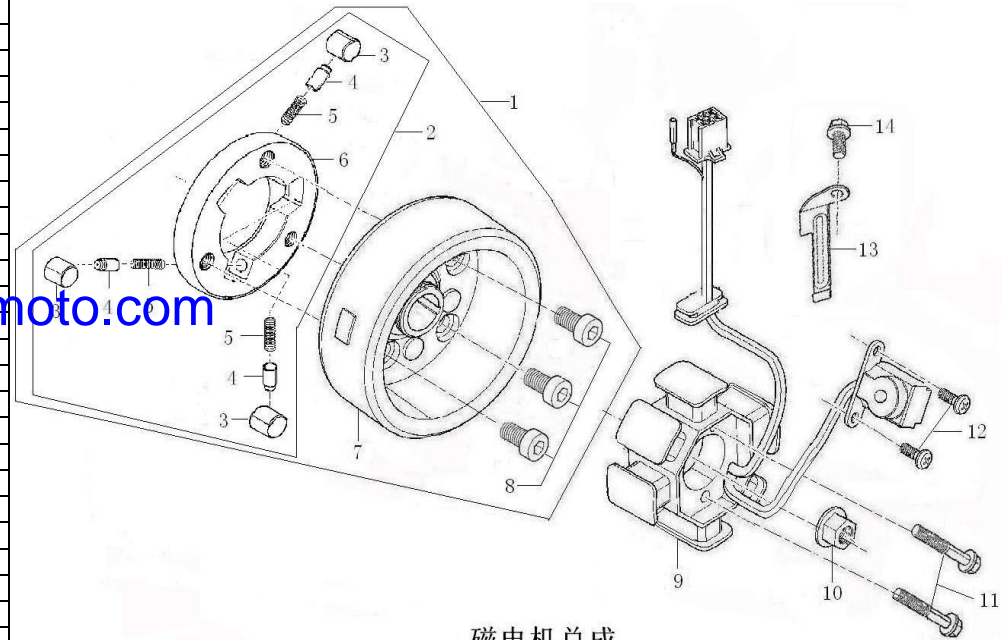
| 序号 NO. | 编码 (PART CODE) | 中文名称 (CHINESE DESCRIPTION) | 英文名称 (ENGLISH DESCRIPTION) | 数量 QTY | 备注 REMARK |
|--------|-------------------|-----------------------------|----------------------------------|--------|-----------|
| 1 | 24300-G031-00000C | Z100换挡臂部件(260mm 四档循环档 彩锌) | GEARSHIFT LEVER COMP | 1 | |
| 2 | 24302-G031-0000 | Z100换挡回位弹簧 | RETURN SPRING | 1 | |
| 3 | 24318-D002-0000 | 70换挡臂拉簧 | GEARSHIFT LEVER TENSION SPRING | 1 | |
| 4 | 2432A-G031-0000 | Z100换挡臂臂体组合(四档循环) | LIMIT SCREW | 1 | |
| 5 | 24301-G031-0000 | Z100换挡轴组合(四档循环档 260) | GEARSHIFT SHAFT COMP | 1 | |
| 6 | 2242A-G031-0000 | Z100离合器操纵臂组合 | CONTROLLING ARM ASSEMBLY, CLUTCH | 1 | |
| 7 | 2245A-G031-0000 | Z100离合器凸轮板组合 | CAM PLATE ASSEMBLY, CLUTCH | 1 | |
| 8 | 24200-D002-0100 | 70变速鼓部件(四档循环档) | GEARSHIFT DRUM COMP | 1 | |
| 9 | 24101-D002-0000 | 70变速拨叉 | GEARSHIFT FORK | 2 | |
| 10 | 24102-D002-0000 | 70导向销 | GUIDE PIN | 2 | |
| 11 | 24103-D002-0000 | 70弹簧夹 | CLIP, SPRING | 2 | |
| 12 | 24213-D002-0000 | 70变速鼓(四档循环) | GEARSHIFT DRUM | 1 | |
| 13 | 91522-04001300000 | 70变速鼓圆柱销4×13 | PIN 4×13 | 5 | |
| 14 | 24212-D002-0000 | 70变速鼓定位盘 | SHIFT DRUM LOCATING PLATE GROUP | 1 | |
| 15 | B008200006002020B | GB820螺钉M6×20(白锌) | SCREW M6×20 | 1 | |
| 16 | 91117-D002-0000 | 70变档臂定位螺栓8×11 | BOLT, RETURN SPRING FIXING 8×11 | 1 | |
| 17 | 91115-D002-0000 | 70档位定位板螺栓 | BOLT FIXING PLATE | 1 | |
| 18 | 2434A-D002-0000 | 70定位板组合 | LOCATING PLATE ASSY | 1 | |
| 19 | 24304-D002-0000 | 70定位板弹簧 | SPRING, LOCATING PLATE | 1 | |
| 20 | B008230006001220B | GB823螺钉M6×12(白锌) | SCREW M6×12 | 1 | |
| 21 | 88002-G011-0001 | C100档位开关固定板(长压板) | GEARSHIFT SWITCH PRESSING PLATE | 1 | |
| 22 | 8803B-G011-010034 | C100档显线束组合(四档循环 L:340)接口D04 | GEARSHIFT SWITCH LAMP | 1 | |
| 23 | 91149-G011-00000C | C100档显螺钉(彩锌) | SCREW | 1 | |
| 24 | 88004-G011-0000 | C100档显动触头 | CONTACT, CEARINDICATION | 1 | |
| 25 | 24400-G007-0002 | W100变速踏板部件(BT-2) | GEARSHIFT SHAFT | 1 | |
| 26 | | | | | |
| 27 | | | | | |
| 28 | | | | | |
| 29 | | | | | |
| 30 | | | | | |
| 31 | | | | | |
| 32 | | | | | |
| 33 | | | | | |
| 34 | | | | | |
| 35 | | | | | |
| 36 | | | | | |
| 37 | | | | | |
| 38 | | | | | |
| 39 | | | | | |
| 40 | | | | | |
| 41 | | | | | |
| 42 | | | | | |
| 43 | | | | | |
| 44 | | | | | |
| 45 | | | | | |



变速机构
GEARSHIFT MECHANISM

磁电机总成 MAGNETO COMP

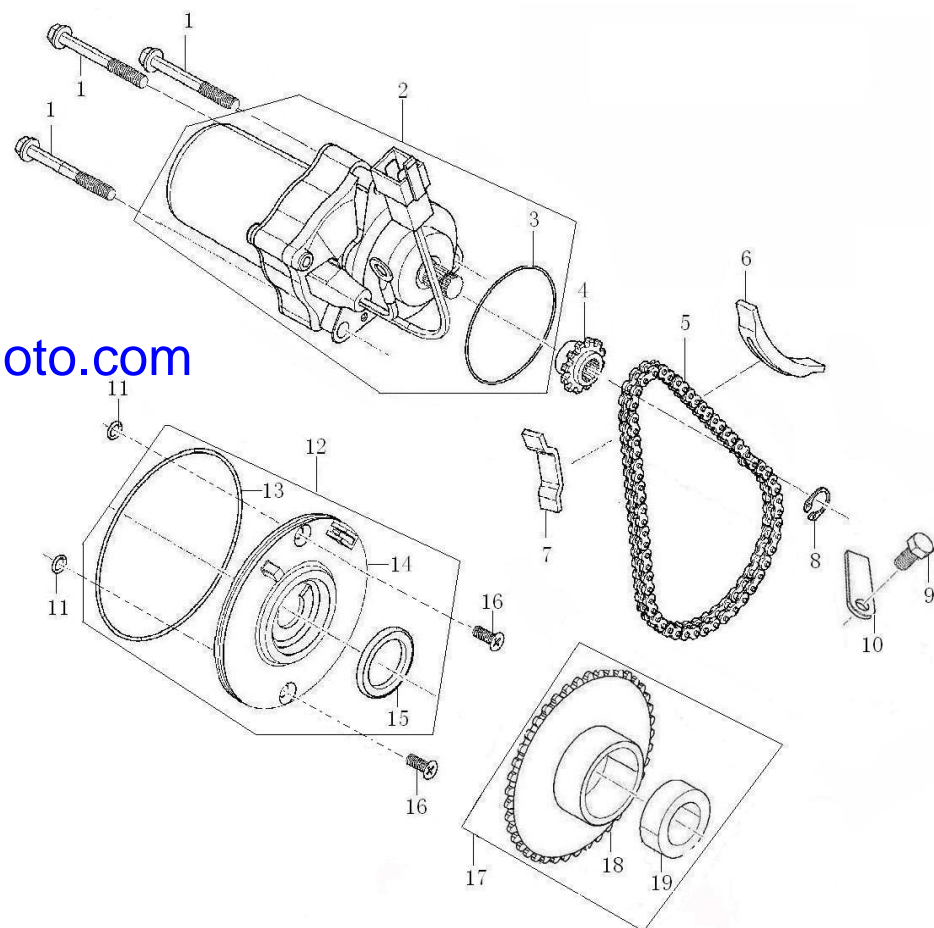
| 序号 NO. | 编码 (PART CODE) | 中文名称 (CHINESE DESCRIPTION) | 英文名称 (ENGLISH DESCRIPTION) | 数量 QTY | 备注 REMARK |
|--------|-------------------|---------------------------------------|------------------------------|--------|-----------|
| 1 | 82130-G011-0211 | C100磁电机转子组合(12V6极低磁钢) | ROTOR ASSY, MAGNETO | 1 | |
| 2 | 21300-G011-0002 | C100-3#超越离合器部件(M8螺纹) | ASSEMBLY, OVERRUNNING CLUTCH | 1 | |
| 3 | 21304-G011-0000 | C100启动离合器滚柱 | CLUTCH ROLLER | 3 | |
| 4 | 21305-G011-0000 | C100启动离合器弹簧套/顶销 | CONE BILOCKAGE | 3 | |
| 5 | 21303-G011-0000 | C100启动离合器滚柱弹簧 | SPRING | 3 | |
| 6 | 21301-G011-0100 | C100-3#超越离合器本体组合(M8螺纹) | STARTING CLUTCH BODY | 1 | |
| 7 | 82130-G011-0201 | C100磁电机转子组合(12V6极低磁钢 无超高且超高螺栓过孔为φ8.5) | ROTOR ASSY, MAGNETO | 1 | |
| 8 | B000700108001570C | GB70.1螺钉M8×15(彩锌) | SCREW M8×15 | 3 | |
| 9 | 82120-G011-030534 | C100磁电机定子组合(12V6极半波交流小盒 L:340)接口11 | STATOR ASSY, MAGNETO | 1 | |
| 10 | 91213-D002-00000X | 70磁电机螺母(兰白锌) | NUT | 1 | |
| 11 | B166740A06001870B | GB16674小盘螺栓M6×18(白锌) | BOLT M6×18 | 2 | |
| 12 | B057830005001270B | GB5783螺栓M5×12(白锌) | BOLT M5×12 | 1 | |
| 13 | 12305-G011-0000 | C100磁电机线夹 | FIXING PLATE, MAGNETO CABLE | 1 | |
| 14 | B166740A06001670B | GB16674小盘螺栓M6×16(白锌) | BOLT M6×16 | 1 | |
| 15 | | | | | |
| 16 | | | | | |
| 17 | | | | | |
| 18 | | | | | |
| 19 | | | | | |
| 20 | | | | | |
| 21 | | | | | |
| 22 | | | | | |
| 23 | | | | | |
| 24 | | | | | |
| 25 | | | | | |
| 26 | | | | | |
| 27 | | | | | |
| 28 | | | | | |
| 29 | | | | | |
| 30 | | | | | |
| 31 | | | | | |
| 32 | | | | | |
| 33 | | | | | |
| 34 | | | | | |
| 35 | | | | | |
| 36 | | | | | |
| 37 | | | | | |
| 38 | | | | | |
| 39 | | | | | |
| 40 | | | | | |
| 41 | | | | | |
| 42 | | | | | |
| 43 | | | | | |
| 44 | | | | | |
| 45 | | | | | |



磁电机总成
MAGNETO COMP

电启动机构 ELECTRIC STARTING MECHANISM

| 序号 NO. | 编码 (PART CODE) | 中文名称 (CHINESE DESCRIPTION) | 英文名称 (ENGLISH DESCRIPTION) | 数量 QTY | 备注 REMARK |
|--------|-------------------|--|-------------------------------|--------|-----------|
| 1 | B166740A06005070X | GB16674小盘螺栓M6×50(兰白锌) | BOLT M6×50 | 3 | |
| 2 | 82200-IA29-001722 | S125D启动电机部件(机座8801 机壳兰白锌 DJ7022A-7.8-11 双线L:220) | STARTING MOTOR ASSY | 1 | |
| 3 | 90101-10525000200 | S125D启动电机0形密封圈52.5×2(丁腈胶) | O-RING 52.5×2 | 1 | |
| 4 | 82201-G011-0000 | C100启动电机小链轮 | SPROCKET | 1 | |
| 5 | 2141B-IA29-0000 | S125D启动链条组合(62节加厚) | STARTING MOTOR DRIVE CHAIN | 1 | |
| 6 | 2144B-G011-0000 | C100链条导板组合 | ASSEMBLY, GUIDE PLATE | 1 | |
| 7 | 2143B-G011-0000 | C100链条护板组合 | ASSEMBLY, CHAIN PROTECT PLATE | 1 | |
| 8 | B0089401110000000 | GB894.1挡圈11 | CIRCLIP 11 | 1 | |
| 9 | B057830006001270B | GB5783螺栓M6×12(白锌) | BOLT M6×12 | 1 | |
| 10 | 21407-G011-0000 | C100启动链轮定位板 | PLATE, START CLUTCH | 1 | |
| 11 | 90101-50065000180 | 70定子盘O形圈6.5×1.8(丙烯酸酯) | O-RING 6.5×1.8 | 2 | |
| 12 | 2140B-G011-0000 | C100隔油盘组件 | DISK INSULATOR | 1 | |
| 13 | 90101-51068000200 | C100隔油盘O形圈106.8×2(丙烯酸酯) | O-RING 106.8×2 | 1 | |
| 14 | 21406-G011-0000 | C100隔油盘 | DISK INSULATOR | 1 | |
| 15 | 90308-G011-0000 | C100定子盘油封30×42×4.5(丁腈胶) | OIL SEAL 30×42×4.5 | 1 | |
| 16 | B008190106001620B | GB819.1螺钉M6×16(白锌) | SCREW M6×16 | 2 | |
| 17 | 21420-G011-0700 | C100-7#启动大链轮组件 | PLATE GEAR ASSY | 1 | |
| 18 | 2142A-G011-0700 | C100-7#启动大链轮组合(隔油盘端外径30.3mm) | PLATE GEAR ASSY | 1 | |
| 19 | 90309-G011-0001 | C100链轮油封19×30×5(氯化丁腈) | OIL SEAL 19×30×5 | 1 | |
| 20 | | | | | |
| 21 | | | | | |
| 22 | | | | | |
| 23 | | | | | |
| 24 | | | | | |
| 25 | | | | | |
| 26 | | | | | |
| 27 | | | | | |
| 28 | | | | | |
| 29 | | | | | |
| 30 | | | | | |
| 31 | | | | | |
| 32 | | | | | |
| 33 | | | | | |
| 34 | | | | | |
| 35 | | | | | |
| 36 | | | | | |
| 37 | | | | | |
| 38 | | | | | |
| 39 | | | | | |
| 40 | | | | | |
| 41 | | | | | |
| 42 | | | | | |
| 43 | | | | | |
| 44 | | | | | |
| 45 | | | | | |

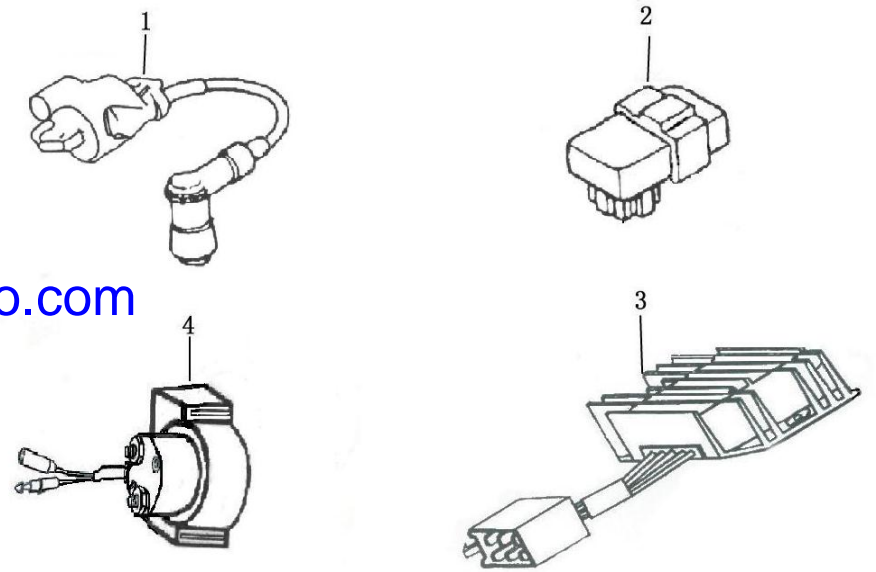


电启动机构
ELECTRIC STARTING MECHANISM

电 器 件 ELECTRIC

| 序号 NO. | 编码 (PART CODE) | 中文名称 (CHINESE DESCRIPTION) | 英文名称 (ENGLISH DESCRIPTION) | 数量 QTY | 备注 REMARK |
|--------|-------------------|----------------------------|----------------------------|--------|-----------|
| 1 | 81100-D002-000050 | 高压包MG01A L:500 | IGNITION COIL | 1 | |
| 2 | 81200-G011-0000 | 点火器MD100 | C. D. I | 1 | |
| 3 | 83100-G011-0000 | 整流调压器MT12V6-ZS02 | RECTIFIER | 1 | |
| 4 | 82290-I049-000016 | 继电器MQJ10-ZS01A | RELAY | 1 | |
| 5 | | | | | |
| 6 | | | | | |
| 7 | | | | | |
| 8 | | | | | |
| 9 | | | | | |
| 10 | | | | | |
| 11 | | | | | |
| 12 | | | | | |
| 13 | | | | | |
| 14 | | | | | |
| 15 | | | | | |
| 16 | | | | | |
| 17 | | | | | |
| 18 | | | | | |
| 19 | | | | | |
| 20 | | | | | |
| 21 | | | | | |
| 22 | | | | | |
| 23 | | | | | |
| 24 | | | | | |
| 25 | | | | | |
| 26 | | | | | |
| 27 | | | | | |
| 28 | | | | | |
| 29 | | | | | |
| 30 | | | | | |
| 31 | | | | | |
| 32 | | | | | |
| 33 | | | | | |
| 34 | | | | | |
| 35 | | | | | |
| 36 | | | | | |
| 37 | | | | | |
| 38 | | | | | |
| 39 | | | | | |
| 40 | | | | | |
| 41 | | | | | |
| 42 | | | | | |
| 43 | | | | | |
| 44 | | | | | |
| 45 | | | | | |

www.seacubemoto.com



电 器 件
ELECTRIC

再循环系统 EXHAUST GAS RECIRCULATION SYSTEM

| 序号 NO. | 编码 (PART CODE) | 中文名称 (CHINESE DESCRIPTION) | 英文名称 (ENGLISH DESCRIPTION) | 数量 QTY | 备注 REMARK |
|--------|-------------------|----------------------------------|----------------------------|--------|-----------|
| 1 | 16156-G011-0000 | C100二次空滤器连接胶管 I | CONNECTING PIPE | 1 | |
| 2 | 16157-I008-0000 | CG125D二次空滤器连接胶管卡圈14 | HOOP | 2 | |
| 3 | 16160-I008-0000 | CG125D二次空滤器部件 | SEC. AIR BOX VALVE | 1 | |
| 4 | 16156-I008-0000 | CG125D二次空滤器连接胶管 I (14×9×230(35)) | CONNECTING PIPE | 1 | |
| 5 | 16157-I008-0100 | CG125D二次空滤器连接胶管卡圈15.3 | HOOP | 1 | |
| 6 | B166740A06001870X | GB16674小盘螺栓M6×18(兰白锌) | BOLT M6×18 | 1 | |
| 7 | B166740A06002570X | GB16674小盘螺栓M6×25(兰白锌) | BOLT M6×25 | 1 | |
| 8 | B166740A06001670X | GB16674小盘螺栓M6×16(兰白锌) | BOLT M6×16 | 3 | |
| 9 | 18090-G011-0001 | C100空气泵(带防尘胶套) | GAS PUMP | 1 | |
| 10 | 18110-G011-0000 | C100废气循环橡胶管组件 I (58×58) | RUBBER PIPE | 1 | |
| 11 | 18097-I008-0000 | CG125D废气循环管 I 卡箍 | CLAMP | 2 | |
| 12 | 18092-G011-0000 | C100废气循环橡胶管 I (58×58) | RUBBER PIPE | 1 | |
| 13 | 18110-I008-0100 | CG125D废气循环橡胶管组件 II-1#(Φ9×Φ4×300) | RUBBER PIPE | 1 | |
| 14 | 18097-I008-0100 | CG125D废气循环管 II 卡箍 | CLAMP | 2 | |
| 15 | 18092-I008-0100 | CG125D废气循环橡胶管 II (Φ9×Φ4×300) | RUBBER PIPE | 1 | |
| 16 | 1809B-G011-02000Y | C100-3#废气循环铁管组合(电泳黑漆) | IRON PIPE | 1 | |
| 17 | 90268-DA80-0000 | PW70废气循环铁管纸垫 | PAPER GASKET | 1 | |
| 18 | B061770106000090X | GB6177.1螺母M6(兰白锌) | NUT 6 | 1 | |
| 19 | 90274-I008-0000 | CG125D二次空气泵支架隔热垫 | INSULATING GASKET | 1 | |
| 20 | 18089-I008-00000C | CG125D空气泵支架板(彩锌) | GAS PUMP PLATE | 1 | |
| 21 | | | | | |
| 22 | | | | | |
| 23 | | | | | |
| 24 | | | | | |
| 25 | | | | | |
| 26 | | | | | |
| 27 | | | | | |
| 28 | | | | | |
| 29 | | | | | |
| 30 | | | | | |
| 31 | | | | | |
| 32 | | | | | |
| 33 | | | | | |
| 34 | | | | | |
| 35 | | | | | |
| 36 | | | | | |
| 37 | | | | | |
| 38 | | | | | |
| 39 | | | | | |
| 40 | | | | | |
| 41 | | | | | |
| 42 | | | | | |
| 43 | | | | | |
| 44 | | | | | |
| 45 | | | | | |

