


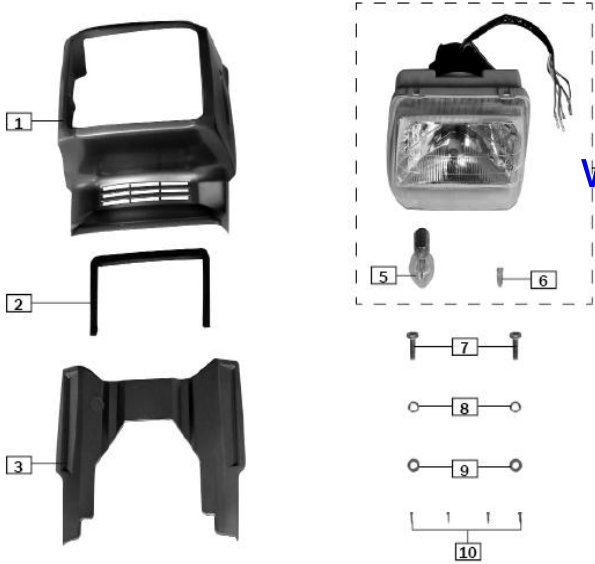
ZS125-2摩托车零部件图册  
(1002-170批, 前后鼓刹、铝轮、大货架状态)V01

[www.seacubemoto.com](http://www.seacubemoto.com)



发动机 ENGINE					
	NO	PART CODE	DESCRIPTION		QTY USD
	1	10001-I008-0000	发动机 (CG125D)	ENGINE	1
	2				
	3				
	4				
	5				
	6				
	7				
	8				
	9				
	10				
	11				
	12				
	13				
	14				
	15				
	16				
	17				
	18				
	19				
	20				

[www.seacubemoto.com](http://www.seacubemoto.com)

		NO	PART CODE	DESCRIPTION	QTY	USD
前照灯 HEAD LIGHT  	1	63501-I126-0500A5	ZS125-2^(I)前照灯灯壳(透明红+亚黑)	Headlamp case	1	
	2	63503-I126-0200	ZS125-2^(I)前照灯灯壳胶条	Strip,headlamp shade	1	
	3	63504-I126-030066	ZS125-2^(I)前照灯灯壳背板(亚黑)	Backboard	1	
	4	86100-I126-0800	ZS125-2^(I)前照灯(水晶)	Headlamp	1	
	5	86160-0000-0100	前照灯灯泡12V35/35W	Bulb 12v35/35w	1	
	6	86112-0000-0000	前位置灯灯泡12V5W	Bulb 12v5w	1	
	7	B057830008002070C	螺栓M8x20	Bolt M8x20	2	
	8	B000930008000000C	弹簧垫圈8	Spring washer 8	2	
	9	B0009701080000K0C	平垫圈8	Washer 8	2	
	10	B008450003001020L	GB/T845自攻螺钉ST3x10(军绿4.8级)	Screw st3x10	4	
	11					
	12					
	13					
	14					
	15					
	16					
	17					
	18					
	19					
	20					

		NO	PART CODE	DESCRIPTION	QTY	USD	
		1	86320-I126-0500	ZS125-2^( I )转向灯(橙色水晶)	Turning lamp	4	
		2	86301-I126-0400	ZS125-2^( I )转向灯胶套	Collar	4	
		3	8630H-I126-0400	内衬	Inner	4	
		4	86340-0000-0300	转向灯灯泡12V10W	Bulb 12v10w	4	
		5	B008450003001020L	GB/T845自攻螺钉ST3×10(军绿4.8级)	Screw st3×10	8	
		6	B057890005002070C	GB/T5789螺栓M5×20(彩锌8.8级)	Bolt M5×20	8	
		7	8630M-I126-0400	抱箍	Hoop	4	
		8					
		9					
		10					
		11					
		12					
		13					
		14					
		15					
		16					
		17					
		18					
		19					
		20					






		NO	PART CODE	DESCRIPTION	QTY	USD
仪表 METER  	1	87100-I126-1800	ZS125-2(I) 仪表总成(三统一、排显)	Meter assy	1	
	2	87123-0000-0000	仪表灯泡12V3W	Bulb 12V3W	7	
	3	B0009601060000K0C	大平垫6	Washer 6	2	
	4	B061700006000060C	螺母M6	Nut M6	2	
	5	71201-I126-0000	ZS125-2轴承上挡圈	Upper circlip,bearing	1	
	6	71205-0000-0000	钢球(4.7625)	Steel ball 4.7625	42	
	7	71203-I126-0000	ZS125-2轴承上座圈	Upper race,bearing	1	
	8	71202-I126-0000	ZS125-2轴承下挡圈	Lower circlip,bearing	1	
	9	71204-I126-0000	ZS125-2轴承下座圈	Lower race,bearing	1	
	10					
	11					
	12					
	13					
	14					
	15					
	16					
	17					
	18					
	19					
	20					

NO	PART CODE	DESCRIPTION	QTY	USD		
方向柱 STEERING STEM 	1	71104-I126-15000C	方向柱盖形螺母	Cap nut	1	
	2	71191-I126-09000C	小平垫	Washer	1	
	3	71106-I126-09000C	锁紧螺母	Lock nut	1	
	4	38250-I126-000065	前装饰罩支架	Fixing bracket,decoration cover	1	
	5	B008180004001050L	螺钉M4×10	Screw M4×10	2	
	6	91302-0040-11010L	翻边垫	Fanged washer	2	
	7	71100-I126-0900065	ZS125-2^(I)方向柱总成(珍珠黑)	Steering stem comp	1	
	8	88193-I126-050065	前装饰罩支架	Bracket,front lamp	1	
	9	7111A-I126-090065	方向柱卡子	Clamp,steering bar	2	
	10	B166740106003070C	螺栓M6×30	Bolt M6×30	4	
	11	B057820008004070C	螺栓M8×40	Bolt M8×40	2	
	12	71124-I126-0900	方向柱防尘圈	Dustproof ring,steering post	2	
	13	B166740107005470G	螺栓M7×54	Bolt M7×54	2	
	14	71101-I126-090065	上连接板	Upper connecting plate	1	
	15	B061770107000060G	螺母M7	Nut M7	2	
	16	38250-I126-010065	前装饰罩支架	Fixing bracket,decoration cover	1	
	17	6222A-I126-0100	工字形胶垫 φ 8.6×φ 14×φ 20-7+3+4	Rubber pad φ 8.6×φ 14×φ 20-7+3+4	2	
	18	91302-0060-20090C	翻边垫	Fanged washer	2	
	19	6222A-I126-0000	工字形胶垫 φ 8.6×φ 14×φ 22-5.5+3+5.5	Rubber pad φ 8.6×φ 14×φ 22-5.5+3+5.5	2	
	20	91302-0065-22120C	翻边垫	Fanged washer	2	
	21	B166740106002570C	螺栓M6×25	Bolt M6×25	2	
	22	87102-I126-0000	仪表支架减震垫	Damping pad, meter bracket	2	
	23	71192-I126-09000C	大平垫	Washer	1	

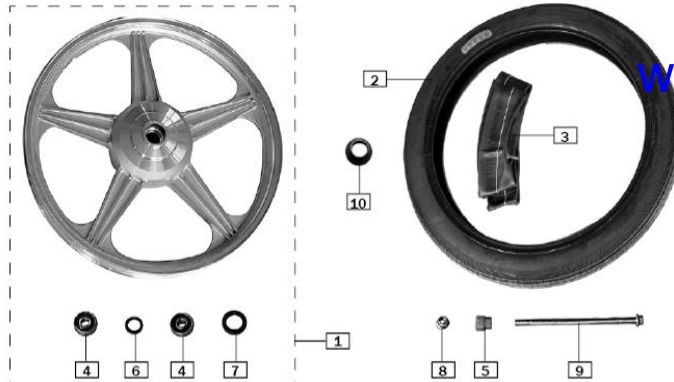
NO	PART CODE	DESCRIPTION	QTY	USD		
<p>前减震器/前挡泥板 FRONT SHOCK ABSORBER/FRONT FENDER</p> 	1	63104-I126-020065	ZS125-2前挡泥板(新款、珍珠黑)	Front fender	1	
	2	34100-I126-03007X	ZS125-2^( I )左前减震器(铁灰)	Front shock absorber,left	1	
	3	34200-I126-03007X	ZS125-2^( I )右前减震器(铁灰)	Front shock absorber,right	1	
	4	63111-I126-0300	ZS125-2护线环(三统一)	Ring,guard wire	1	
	5	63127-I126-0400	尾翘	Rear cover	1	
	6	B0617000050000600	六角螺母M5	Nut m5	2	
	7	B0009601060000K00	平垫圈 6	Washer 6	4	
	8	B16674000600207	螺栓M6×20	Bolt M6×20	1	
	9	B0081800050012200	十字槽盘头螺栓螺钉 M5	Screw m5	2	
	10	B0084800060000K0C	平垫圈 6	Washer 6	4	
	11	B0009300060000X0C	弹簧垫圈 6	Spring washer 6	4	
	12	B057830006001470C	螺栓M6×14	Bolt m6×14	4	
	13					
	14					
	15					
	16					
	17					
	18					
	19					
	20					

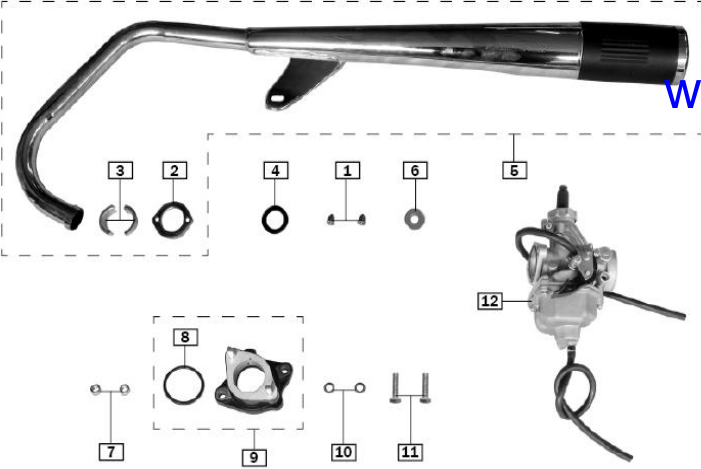
		NO	PART CODE	DESCRIPTION	QTY	USD
手把/后视镜 GRIP/BACK VIEW MIRROR 	1	69100-I126-04000G	ZS125-2^( I )后视镜(激光刻字)	Rear view mirror	1	
	2	72100-I126-03000G	ZS125-2方向把管(带平衡锤)	Steering pipe	1	
	3	08216-0000-0000	扎带L=130mm	Band l=130mm	2	
	4	72030-I126-03000G	ZS125-2装饰头组件(无膨胀胶塞)	Groupware,decoration head	2	
	5	72209-I126-020066	ZS125-2( I )离合手柄(三统一、亚黑)	Clutch lever	1	
	6	72208-I126-0600	风门手柄	Handlebar,choke	1	
	7	B008190106004520L	十字槽沉头螺钉M6×45	Screw M6×45	2	
	8	72309-I126-020066	ZS125-2( I )前制动手柄(三统一亚黑)	Front brake lever	1	
	9	72010-I126-000065	ZS125-2左手把胶套(珍珠黑)	Left grip	1	
	10	72201-I126-0300	ZS125-2( I )左开关总成(三统一)	Assembly,left switch	1	
	11	72301-I126-0300	ZS125-2( I )右开关总成(三统一)	Assembly,right switch	1	
	12	72020-I126-000065	ZS125-2^( I )右手把胶套组合(珍珠黑)	Comp,right grip	1	
	13					
	14					
	15					
	16					
	17					
	18					
	19					
	20					



		NO	PART CODE	DESCRIPTION	QTY	USD
软轴/拉索 SOFT AXLE/CABLE	    	1	72700-I126-0500	ZS125-2(I) 风门拉索(三统一)	Cable,choke	1
		2	72400-I126-0500	ZS125-2(I) 油门拉索(三统一)	Cable throttle	1
		3	72500-I126-0500	ZS125-2(I) 前制动拉索(三统一普通减短)	Cable front brake	1
		4	72600-I126-1000	ZS125-2(I) 离合拉索(三统一、CG)	Cable clutch	1
		5	87300-I126-0400	ZS125-2(I) 里程表软轴(三统一)	Speed ometer cable	1
		6				
		7				
		8				
		9				
		10				
		11				
		12				
		13				
		14				
		15				
		16				
		17				
		18				
		19				
		20				

[www.seacubemoto.com](http://www.seacubemoto.com)

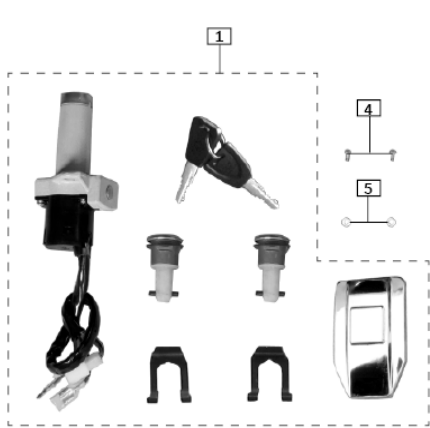
		NO	PART CODE	DESCRIPTION	QTY	USD
前铝轮 ALUMINUM WHEEL 	1	51120-I126-130071	ZS125-2^( I )前铝轮(鼓刹1.4×18五星豪	Front wheel (1.4×18)	1	
	2	51103-I126-0000	ZS125-2前轮外胎(2.75×18)	F.wheel outer tyre (2.75×18)	1	
	3	51104-I126-0000	ZS125-2前轮内胎	Inner tyre	1	
	4	92102-0006302-2RS	轴承6302-2RS	Bearing 6302-2RS	2	
	5	51102-I126-00000B	ZS125-2前轮右衬套(φ12×φ23×25鼓刹	Right bush,Front wheel	1	
	6	51108-0000-0300	支承圈	Supporting ring	1	
	7	51116-0000-1400	轮毂油封(25×42×7)	Hub oil seal (25×42×7)	1	
	8	B061870212000060C	螺母M12×1.25	Nut m12×1.25	1	
	9	51181-I126-01000C	ZS125-2(H02)前轮轴(M12×1.25×201彩	Front wheel axle m12×1.25×201	1	
	10	51185-I126-0000	ZS125-2前轮毂防尘套(S)	dustproof cover,hub	1	
	11					
	12					
	13					
	14					
	15					
	16					
	17					
	18					
	19					
	20					

NO	PART CODE	DESCRIPTION	QTY	USD		
<p>消声器/化油器 MUFFLER/CARBURETOR</p> 	1	B009230006001730G	盖形螺母M6×17	Cap nut M6×17	2	
	2	18005-J170-0600	法兰盘	Flange ring	1	
	3	18003-J170-0600	连接块	Connecting block	2	
	4	18030-J150-0100	ZS150排气消声器密封垫(铜、单排)	Seal pad,ex muffler	1	
	5	18000-J170-06000G	ZS150-6(H06)排气消声器(挂板镀铬)	Ex muffler	1	
	6	91301-0120-24040C	平垫圈Φ12×Φ24×4	Washer Φ12×Φ24×4	1	
	7	B061770106000060C	螺母 M6	Nut m6	2	
	8	90101-30325000300	O形密封圈 32.5×3	O-ring 32.5×3	1	
	9	15800-I126-0000	ZS125-2进气管	Intake pipe	1	
	10	B000930006000000C	弹簧垫圈6	Spring washer 6	2	
	11	B057830006002070C	螺栓M6×20	Bolt M6×16	2	
	12	17100-I126-2100	ZS125-2化油器(CG金陶节油升尉)	Carburetor	1	
13						
14						
15						
16						
17						
18						
19						
20						

		PART CODE	DESCRIPTION	QTY	USD	
空滤器 AIR CLEANER  	1	16116-I126-0300	空滤器外壳	Outer case,air cleaner	1	
	2	1611A-I126-0300	空滤器滤芯组件	Filter element	1	
	3	16115-I126-0000	ZS125-2^( I )空滤器安装胶套	Mounting rubber bush,air cleaner	1	
	4	16105-I126-0300	空滤器盖	Cover,air cleaner	1	
	5	16114-I126-0300	空滤器滤网	Filter screen	1	
	6	B0084500048013X0C	自攻螺钉ST4. 8×13	Screw st4.8×13	5	
	7	16123-I126-0300	空滤器接头卡箍	Clip,air cleaner joint	1	
	8	61302-0000-2100	复合油管(φ4×φ8×45、耐油)	Fuel hose (φ4×φ8×45)	1	
	9	61302-0000-0700	复合油管(φ4×φ8×140、耐油)	Fuel hose (φ4×φ8×140)	1	
	10	61180-0000-0100	燃油过滤器(耐油)	Fuel filter	1	
	11	91402-0075-07510C	卡簧φ7.5(彩锌)	Clip φ7.5	4	
	12	16100-I126-0300	ZS125-2( I )空滤器(环保)	Air cleaner	1	
	13	B057830006002070C	螺栓M6×20	Bolt M6×20	1	
	14	B0009600060000K0C	平垫6	Washer 6	1	
	15					
	16					
	17					
	18					
	19					
	20					

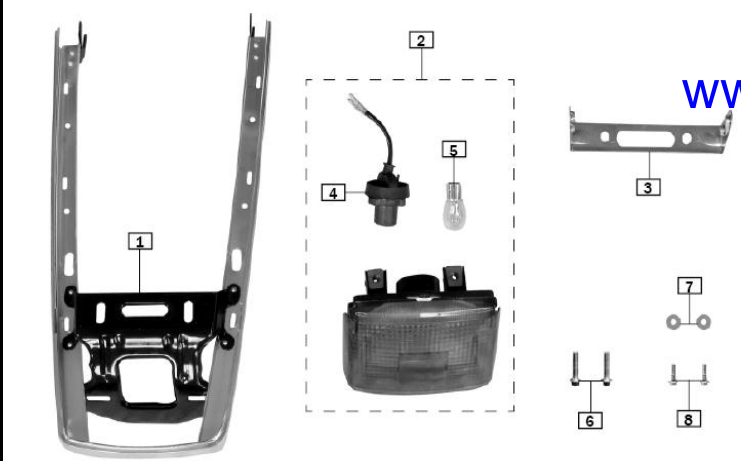
		PART CODE	DESCRIPTION	QTY	USD
<p>前制动器 FRONT BRAKE</p>	1	54140-I126-1000	前制动器盖	1	
	2	54112-I126-0500	前制动凸轮	1	
	3	54107-I126-0500	前制动器复位弹簧	1	
	4	54131-I126-0500	前制动器计速齿轮	1	
	5	54121-I126-0500	前制动器指示片	1	
	6	54115-I126-0500	前制动器拉臂	1	
	7	54104-I126-0500	前制动器拉簧	2	
	8	54150-I126-0500	前制动器蹄块组件	2	
	9	54162-I126-0500	前制动器异型螺母	1	
	10	B008200005001650C	十字半沉头螺钉M5×16	1	
	11	B057820006003070C	螺栓M6×30	1	
	12	54100-I126-060071	ZS125-2 ( I ) 前制动器 (传动比23/8, 银白)	1	
13					
14					
15					
16					
17					
18					
19					
20					

全车锁  
VEHICLE LOCK

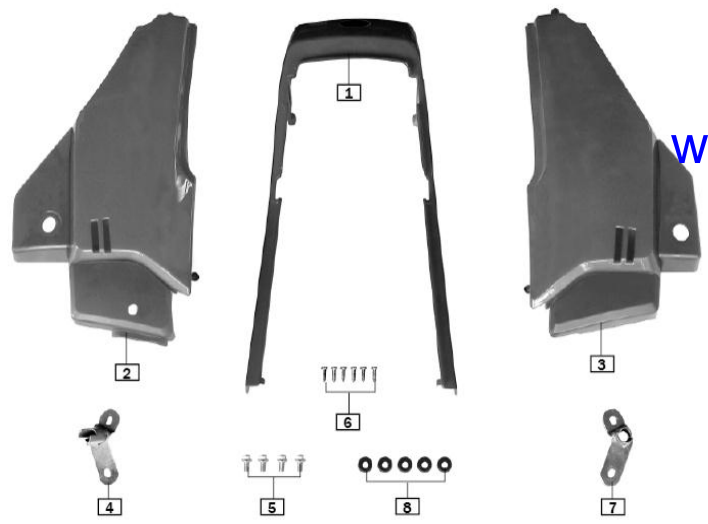


NO	PART CODE	DESCRIPTION	QTY	USD
1	07002-I126-0500	ZS125-2^( I )全车锁 (四锁)	1	
2	63704-I126-0200	ZS125-2^( I )点火开关罩	1	
3	B166740108001670C	螺栓M8×16	2	
4	B008180004000620C	十字槽盘头螺钉M4×6	2	
5	B0009701040000K0C	平垫圈4	2	
6				
7				
8				
9				
10				
11				
12				
13				
14				
15				
16				
17				
18				
19				
20				

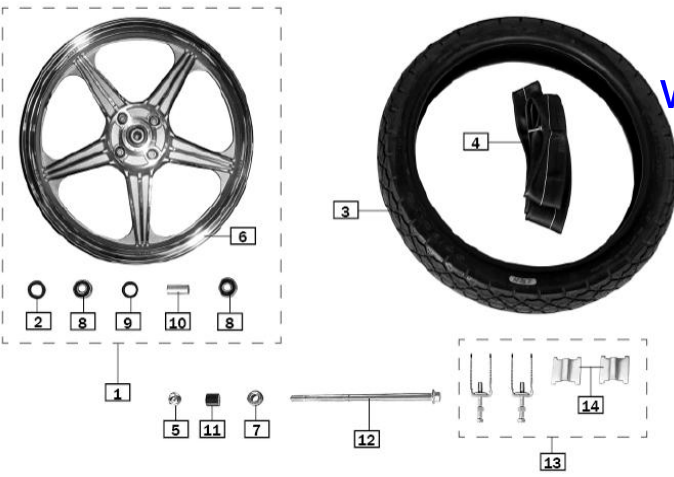
NO	PART CODE	DESCRIPTION	QTY	USD		
<p>后挡泥板 REAR FENDER</p> 	1	63203-I126-0200	ZS125-2^( I )后挡泥板	Rear fender	1	
	2	B061770108000060C	螺母M8	Nut M8	2	
	3	91302-0080-20050C	翻边垫 φ8×20-5(彩锌)	Washer φ8×20-5	2	
	4	63209-I126-03000C	后挡泥板内衬	Liner,rear fender	1	
	5	B166740108002570C	螺栓M8×25	Bolt M8×25	2	
	6	63205-I126-01000C	ZS125-2^( I )后挡泥板板卡(彩锌)	Clip,rear fender	1	
	7	B0009600060000K0C	平垫6	Washer 6	1	
	8	B057830006002570C	螺栓M6×25	Bolt M6×25	1	
	9	63201-I126-0200	ZS125-2^( I )后挡泥板前段	Front section,rear fender	1	
	10	B0009701050000K0L	平垫5	Washer 5	2	
	11	B008180005001020L	螺钉M5×10	Screw M5×10	2	
	12	63214-I126-0300	ZS125-2( I )后挡泥板缓冲塞	Buffer plug,rear fender	1	
	13	B061700106000060L	螺母M6	Nut M6	1	
	14	B0009701060000K0L	平垫6	Washer 6	1	
	15	85830-I126-0100	后反射器	Reflector,rear	1	
	16	B061700105000060L	螺母M5	Nut M5	2	
	17	63202-I126-0200	后挡泥板后段	Rear section,rear fender	1	
	18					
	19					
	20					

		NO	PART CODE	DESCRIPTION	QTY	USD
尾灯 TAIL LAMP  	1	62400-I126-0000	ZS125-2护框组件	Casing	1	
	2	86200-I126-0800	ZS125-2(I)尾灯总成(三统一水晶灯ZS字	Tail lamp assembly	1	
	3	86203-I126-00000C	ZS125-2尾灯支架	Bracket, rear lamp	1	
	4	86202-I126-0800	尾灯线束	Cable,tail lamp	1	
	5	86260-0000-C100	尾灯灯泡12V21/5W	Bulb 12v21/5w	1	
	6	B166740108002570C	螺栓 M8×25	Bolt m8x25	2	
	7	B0009600060000K0C	大平垫 6	Washer 6	2	
	8	B057830006001670C	螺栓 M6×16	Bolt m6x16	2	
	9					
	10					
	11					
	12					
	13					
	14					
	15					
	16					
	17					
	18					
	19					
	20					



NO	PART CODE	DESCRIPTION	QTY	USD		
側盖 SIDE COVER 	1	63601-I126-000011	ZS125-2尾罩(透明红)	Rear shield	1	
	2	63332-I126-C0F6A5	ZS125-2右侧盖(F6透明红+亚黑)	Right side cover	1	
	3	63301-I126-C0F6A5	ZS125-2左侧盖(F6透明红+亚黑)	Left side cover	1	
	4	31233-I126-01000C	ZS125-2^( I )右侧盖锁座(彩锌)	Lock holder, right side cover	1	
	5	B166740106001270C	螺栓M6×12	Bolt m6×12	4	
	6	9A133-1042-016X0C	自攻螺钉ST4. 2×16	Screw st4.2×16	6	
	7	31232-I126-01000C	ZS125-2^( I )左侧盖锁座(彩锌)	Lock holder	1	
	8	63346-I126-0300	ZS125-2^( I )侧盖胶圈	Rubber washer	5	
9						
10						
11						
12						
13						
14						
15						
16						
17						
18						
19						
20						

		NO	PART CODE	DESCRIPTION	QTY	USD
电气元件 ELECTRIC PARTS 		1	85100-I126-5200	ZS125-2(I) 主电缆(三统一)	Main cable	1
		2	85500-I126-01000G	ZS125-2(改) 喇叭(双喇叭黑芯)	Horn	2
		3	B166740106000870C	螺栓M6×8	Bolt m6×8	2
		4	81100-I126-1100	ZS125-2^ 点火线圈(火花塞帽)	Ignition loop	1
		5	B057830005001670C	螺栓M5×16	Bolt m5×16	2
		6	82290-I126-0500	ZS125-2启动继电器	Starting relay	1
		7	85600-I126-0700	ZS125-2(I) 闪光器(三统一、SCZ-1)	Flisher	1
		8	85174-0000-0000	保险片 10A	Fuse 10a	2
		9	83100-I126-0600	ZS125-2调压整流器(短路式外插)	Rectifier	1
		10	81200-I126-0500	ZS125-2^ (I) 点火器	Ignition	1
		11	08216-0000-0100	扎带L=150mm(宽10mm)	Band l=150mm(10mm)	4
		12	84600-I126-8600	后制动灯开关	Switch, rear brake light	1
		13	83200-0000-0300	蓄电池(12N7-3B、干荷式)	Battery(12n7-3b)	1
		14	81110-I126-1100	火花塞帽	Sippresser	1
		15	85111-0000-0000	整车搭铁线(G4, 300mm)	Wire	1
		16	83230-0000-0900	电解液(12N7-3B)	Electrolyte (12n7-3b)	1
		17	B0009701050000K0C	平垫圈5	Washer 5	2
		18	B166740106002070C	螺栓M6×20	Bolt M6×20	2
		19	85170-0000-0000	保险盒	Fuse case	1
		20	B166740106001270C	螺栓M6×12	Bolt M6×12	1

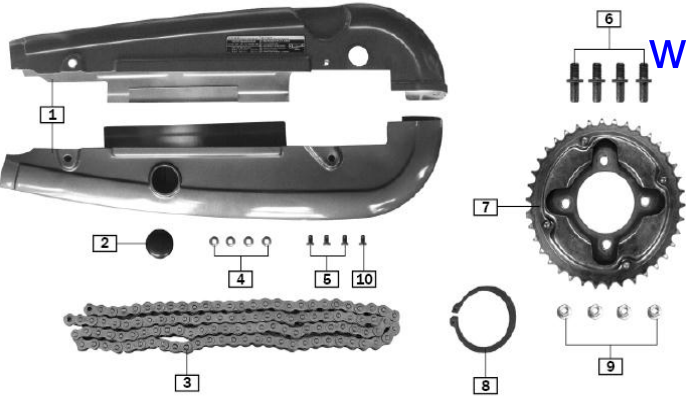
NO	PART CODE	DESCRIPTION	QTY	USD		
后铝轮 REAR ALUMINUM WHEEL 	1	51220-I126-060071	ZS125-2后铝轮(五星豪爵、银白)	Rear aluminum wheel	1	
	2	51116-0000-0700	油封22×42×7	Oil seal 22x42x7	1	
	3	51203-I126-0000	ZS125-2后轮外胎(90/90×18)	Outer tyre(90/90x18)	1	
	4	51204-I126-0000	ZS125-2后轮内胎	Inner tyre	1	
	5	B061870214000060C	后轮轴螺母M14×1.5	Nut m14x1.5	1	
	6	51223-I126-0600	后铝轮主体	Main body,Rear aluminum wheel	1	
	7	51201-I126-00000C	ZS125-2后轮左衬套(φ15.1×φ27.8×17)	Rear wheel left sleeve	1	
	8	92102-0006302-2RS	轴承6302-2RS	Bearing 6302-2RS	2	
	9	51108-0000-0300	支承圈	Backing ring	1	
	10	51117-0000-5100	轮毂内衬套	Inner bush,hub	1	
	11	51202-I126-00000C	ZS125-2(H02)后轮右衬套(φ15×φ28彩锌)	Right bush,rear wheel(φ15xφ28)	1	
	12	51281-I126-03000C	ZS125-2(H02)后轮轴(M14×1.5×285彩锌)	Rear wheel shaft m14x1.5x285	1	
	13	35010-I126-00000C	ZS125-2(I)链条调节器(彩锌)	Chain adjustor	2	
	14	35020-I126-0000	链条调节器卡块	Block,chain adjuster	2	
15						
16						
17						
18						
19						
20						

		NO	PART CODE	DESCRIPTION	QTY	USD
车架 FRAME 	1	31100-I126-200065	ZS125-2^( I )车架(大货架、珍珠黑)	Frame	1	
	2	32303-I126-000065	ZS125-2发动机前悬挂(珍珠黑)	Front suspension	1	
	3	32301-I126-000065	ZS125-2发动机左上连接板	Upper connecting plate	2	
	4	B061870108000060C	螺母M8	Nut m8	7	
	5	B166740108008570C	螺栓M8×85	Bolt M8x85	2	
	6	B166740108006570C	螺栓M8×65	Bolt M8x65	1	
	7	B166740108007070C	螺栓M8×70	Bolt M8x70	2	
	8	B166740110011270C	螺栓M10×112	Bolt M10x112	2	
	9	B061870210000060C	锁紧螺母M10×1.25	Nut M10	2	
	10					
	11					
	12					
	13					
	14					
	15					
	16					
	17					
	18					
	19					
	20					

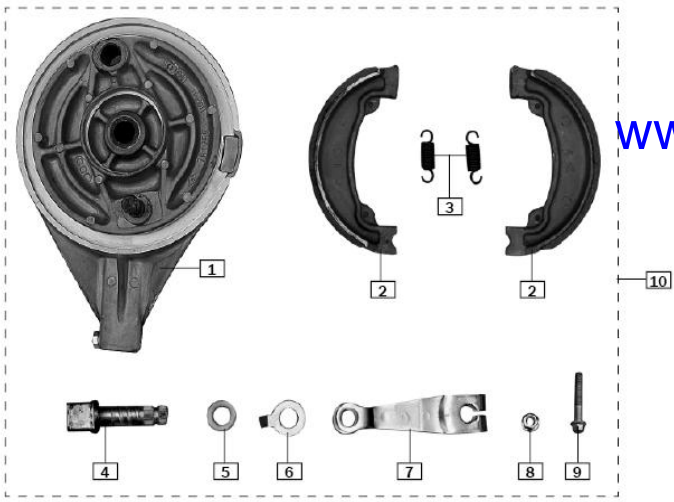
NO	PART CODE	DESCRIPTION	QTY	USD		
 <p>平叉/后减震器 REAR FORK/REARSHOCK ABSORBER</p>	1	35200-I126-1900ZG	ZS125-2(II)平叉总成(双核,无脚蹬)	Rear fork	1	
	2	35281-I126-06000C	ZS125-2(H03)平叉轴(M12×1.25×277彩)	Shaft rear fork (m12×1.25×277)	1	
	3	35001-I126-0300	ZS125-2^(I)链条护卡	Chain clip	1	
	4	B061870212000060C	螺母M12×1.25	Nut m12×1.25	1	
	5	91301-0120-24040C	平垫Φ12×Φ24×4(彩锌)	Washer Φ12×Φ24×4	2	
	6	91301-0080-24030G	平垫Φ8×Φ24×3(镀铬)	Washer Φ8×Φ24×3	2	
	7	91115-1080-02070G	球头六角螺栓M8×20	Bolt m8×20	2	
	8	B166740110003270C	螺栓M10×32	Bolt M10×32	2	
	9	33300-I126-090065	ZS125-2^(I)后减震器(珍珠黑)	Rear shock absorber	2	
	10	B0009700080000K0C	平垫Φ8	Washer Φ8	2	
	11	91301-0120-29020C	平垫Φ12×Φ29×2	Washer Φ12×Φ29×2	2	
	12	B0084800120000K0C	平垫Φ12	Washer Φ12	2	
	13					
	14					
	15					
	16					
	17					
	18					
	19					
	20					

		NO	PART CODE	DESCRIPTION		QTY	USD
坐垫/后货架 SEAT/REAR CARRIER  	1	41100-I126-2300	ZS125-2(I) 双人座垫(宗塑, 黑, 修泡沫)	Seat		1	
	2	42120-I126-103065	ZS125-2(I) 后货架(大货架, 平板, 无靠背)	Rear carrier(big carrier)		1	
	3	42124-I126-0000	ZS125-2(I) 后货架前衬套	Front bush, rear carrier		2	
	4	B0009600060000K0C	平垫6	Washer 6		2	
	5	B057830006002070C	螺栓M6×20	Bolt m6x20		2	
	6	B166740108001670C	螺栓M8×16	Bolt M8x16		2	
	7						
	8						
	9						
	10						
	11						
	12						
	13						
	14						
	15						
	16						
	17						
	18						
	19						
	20						

[www.seacubemoto.com](http://www.seacubemoto.com)

NO	PART CODE	DESCRIPTION	QTY	USD		
<p>链盒/链轮 CHAIN BOX/SPROCKET</p> 	1	35100-I126-000071	ZS125-2全链盒(银白)	Whole chain case	1	
	2	35121-G124-0000	ZS100视孔盖	Cap,check window	1	
	3	26400-428H-0108	链条(428H×108节)	Chain (428h×108)	1	
	4	B0009700060000K0C	平垫6	Washer 6	4	
	5	B057830006000870C	螺栓M6×8	Bolt m6×8	3	
	6	91118-6100-03700C	链轮螺栓M10×1.25×37.5(总长)	Bolt m10×1.25×37.5,sprocket	4	
	7	55002-I126-02000C	ZS125-2链轮(带护罩,38齿)	Sprocket	1	
	8	B008940158000000S	轴用卡圈58	Check ring 58	1	
	9	B061770010000060C	螺母M10×1.25	Nut m10×1.25	4	
	10	B057830006001070C	螺栓M6×10	Bolt m6×10	1	
	11					
	12					
	13					
	14					
	15					
	16					
	17					
	18					
	19					
	20					

后制动器  
REAR BRAKE

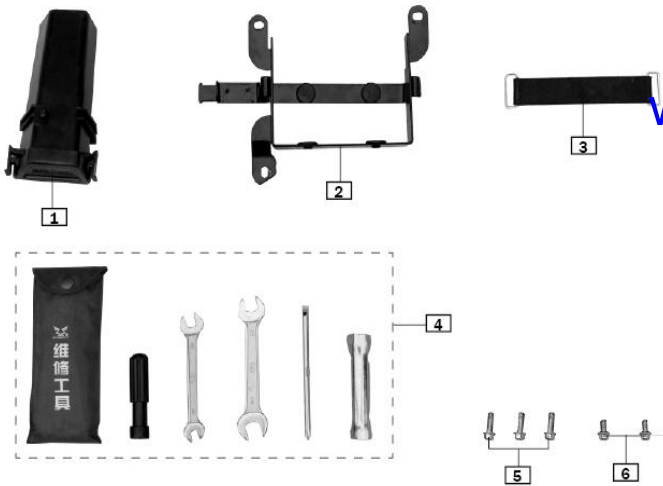


[www.seacubemoto.com](http://www.seacubemoto.com)

	PART CODE	DESCRIPTION	QTY	USD
1	54205-I126-0400	后制动器盖	1	
2	54150-I126-0500	前制动器蹄片组件	2	
3	54104-I126-0500	前制动器拉簧	2	
4	54209-I126-0700	后制动器凸轮	1	
5	54210-I126-0400	后制动器密封件	1	
6	54208-I126-0700	后制动器指示片	1	
7	54207-I126-0700	后制动器拉臂	1	
8	B061770106000060C	螺母M6	1	
9	B057820006003570C	螺栓M6×35	1	
10	54200-I126-040071	ZS125-2^( I )后制动器(铝轮、银白)	1	
11				
12				
13				
14				
15				
16				
17				
18				
19				
20				



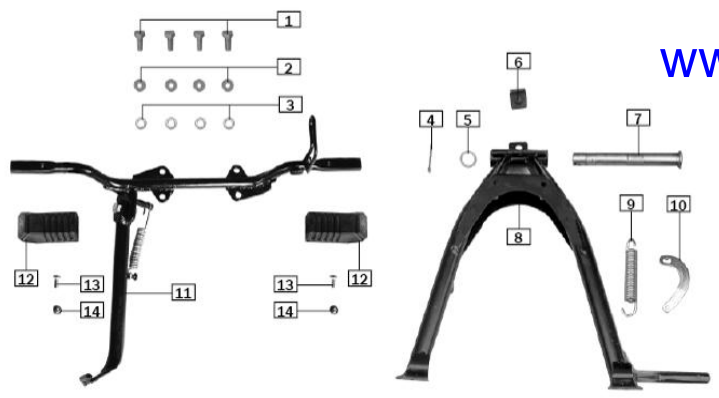
工具/电池盒支架  
TOOL/BATTERY BRACKET



[www.seacubemoto.com](http://www.seacubemoto.com)

	PART CODE	DESCRIPTION	QTY	USD
1	63710-I126-0200	ZS125-2^(I) 工具箱	1	
2	83220-I126-030065	ZS125-2^(I) 蓄电池支架(电启动珍珠黑)	1	
3	83210-I126-0200	ZS125-2(I) 蓄电池箍带	1	
4	06000-I265-C000	LZX125-2随车工具(六件套、白板)	1	
5	B166740106001470C	螺栓M6×14	3	
6	B166740106001270C	螺栓M6×12	2	
7				
8				
9				
10				
11				
12				
13				
14				
15				
16				
17				
18				
19				
20				

前脚踏/支架  
FRONTREST/STAND



www.seacubemoto.com

NO	PART CODE	DESCRIPTION	QTY	USD
1	B057830008002070C	螺栓M8×20	4	
2	B0009700080000K0C	平垫 φ8	4	
3	B000930008000000C	弹簧垫圈8	4	
4	B000910003002500C	开口销3×25	1	
5	91301-0170-23020C	平垫圈 φ17×φ23×1.5	1	
6	32204-I126-0100	ZS125-2主支架减震垫(精品车)	1	
7	32281-I126-00000C	ZS125-2主支架轴(彩锌)	1	
8	32200-I126-050065	ZS125-2 (I)主支架(珍珠黑)	1	
9	32202-I126-00000C	ZS125-2主支架弹簧(彩锌)	1	
10	32203-I126-00000C	ZS125-2主支架挂勾	1	
11	32100-I126-090065	ZS125-2 (I)前脚踏总成(珍珠黑)	1	
12	32101-I126-0000	ZS125-2前脚踏胶套	2	
13	9A113-1050-01650C	螺钉M5×16	2	
14	91303-9050701500C	垫圈5×14.5×7-1	2	
15				
16				
17				
18				
19				
20				

		NO	PART CODE	DESCRIPTION	QTY	USD
脚踏操纵件 FOOT CONTROL PARTS		1	52200-I126-01000C	ZS125-2^( I )后制动臂拉杆	Rear brake pull lever	1
		2	52100-I126-05000G	ZS125-2^( I )后制动臂(加油槽)	Rear brake lever	1
		3	52201-I126-00000C	ZS125-2^( I )后制动臂回位簧(彩锌)	Return spring,rear brake lever	1
		4	84602-I126-00000C	ZS125-2后制动灯开关簧(彩锌)	Switch spring,rear brake light	1
		5	21200-I126-04000G	ZS125-2( I )启动臂(三统一、镀铬)	Assembly,starting lever	1
		6	B05783000800227	螺栓M8×22	Bolt m8x22	1
		7	B05783000600207	螺栓M6×20	Bolt m6x20	1
		8	24400-I126-05000G	ZS125-2^( I )变速踏板(镀铬)	Gear shift lever	1
		9	B0009701060000K0C	平垫圈 6	Washer 6	1
		10	B000910002001800C	开口销 φ2×18	Split pin φ2x18	1
		11				
		12				
		13				
		14				
		15				
		16				
		17				
		18				
		19				
		20				

		NO	PART CODE	DESCRIPTION	QTY	USD
油箱 FUEL TANK 	1	87200-I126-0200	ZS125-2(I)燃油传感器(三统一)	Fuel sensor	1	
	2	61150-I126-0400	ZS125-2(I)油开关(耐油、细)	Fuel shut-off	1	
	3	B0009701060000K0C	平垫圈6	Washer 6	4	
	4	B061770106000060C	螺母M6	Nut m6	4	
	5	61100-I126-C0F611	ZS125-2油箱(11升、透明红、F6#)	Fuel tank	1	
	6	B166740108003070C	螺栓M8×30	Bolt m8x30	1	
	7	91302-0080-32130C	翻边垫Φ8×Φ32×13(彩锌)	Flanged washer Φ8x32x13	1	
	8	61121-I126-0200	ZS125-2(I)油箱胶垫	Rubber pad	1	
	9	61111-I126-0200	ZS125-2(I)油箱前缓冲套	Fuel tank front cushion	2	
	10	61112-I126-0200	ZS125-2(I)油箱后缓冲套	Fuel tank rear cushion	1	
	11					
	12					
	13					
	14					
	15					
	16					
	17					
	18					
	19					
	20					

		NO	PART CODE	DESCRIPTION	QTY	USD
 <p>保險杠 BUMPER</p>	1	68110-I126-1600	前保險杠附件	Bumper component	1	
	2	68100-I126-100065	ZS125-2^( I )保險杠总成(珍珠黑)	Bumper assembly	1	
	3	B0009300080000X	彈簧墊圈8	Spring washer 5	4	
	4	B0009703080000K	平墊圈8	Washer 8	4	
	5	B06170000800006	六角螺母M8	Nut m8	4	
	6	B166740108006870C	螺栓M8×68	Bolt m8x68	1	
	7	B166740108007270C	螺栓M8×72	Bolt m8x72	1	
	8	68103-I126-1600	保險杠固定架	Fixing bracket,bumper	1	
	9	68105-I126-0000	ZS125-2保險杠护套	Protective sleeve for bumper	1	
	10					
	11					
	12					
	13					
	14					
	15					
	16					
	17					
	18					
	19					
	20					

		NO	PART CODE	DESCRIPTION	QTY	USD
大货架 BIG CARRIER  	1	32430-I126-31000G	ZS125-2 (H04) 左后脚踏板 (新款分体侧翻)	Left rear pedal	1	
	2	32440-I126-31000G	ZS125-2 (H04) 右后脚踏板 (新款分体侧翻)	Right rear pedal	1	
	3	B061770108000060C	螺母M8	Nut m8	8	
	4	B166740108002070C	螺栓M8×20	Bolt m8×20	8	
	5	42115-I126-29000G	ZS125-2 (H04) 侧翻脚踏连接管 (新、镀铬)	connecting pipe,side pedal	1	
	6	91301-0120-29020C	平垫圈 φ 12× φ 29×2	Washer φ 12× φ 29×2	2	
	7	B166740108004070C	螺栓M8×40	Bolt M8×40	2	
	8	4215D-I126-0000	ZS125-2 (H04) 大货架边架胶套	Bubber bush,side frame,big carrier	2	
	9	B0009601080000K0C	平垫圈8	Washer 8	2	
	10	3243H-I126-0000	ZS125-2 (H04) 左后脚踏板踏板 (黑坯)	Left rear footpeg pedal	1	
	11	3244N-I126-0000	ZS125-2 (H04) 右后脚踏板踏板 (黑坯)	Right rear footpeg pedal	1	
	12					
	13					
	14					
	15					
	16					
	17					
	18					
	19					
	20					