



	序号RefNo.	编号Part No.	中文名称Chinese Description	英文名称English Description	数量Qty	
	1	84221-L515-0000	仪表盘	Meter assy	1	
	2	84221-L515-0000	点火开关罩	Cover, ignition swtich	1	
	3	85500-L515-0000	喇叭	Horn	1	
	4	08310-L515-0000	全车钥匙	Vehicle lock	1	
	5	52104-L515-0000	手刹回位簧	Returning spring, rear brake	1	
	6	31013-L515-0000	倒档开关座	Reverse switch stents	1	
	7					
	8					
	9					
	10					
	11					
	12					
	13					
	14					
	15					
	16					
	17					
	18					
	19					
	20					

前转向灯Turning lamp, front					
序号RefNo.	编号Part No.	中文名称Chinese Description	英文名称English Description	数量Qty	
	1	前左转向灯	turning light (L)	1	
	2	86400-L515-0000	前右转向灯	turning light (R)	1
	3	86301-L515-0000	前转向灯胶套	Rubber sleeve, turning light	2
	4				
	5				
	6				
	7				
	8				
	9				
	10				
	11				
	12				
	13				
	14				
	15				
	16				
	17				
	18				
	19				
	20				

前照灯Head light				
序号RefNo.	编号Part No.	中文名称Chinese Description	英文名称English Description	数量Qty
	37500-L515-0000	前照灯	Headlamp	1
2	37510-L515-0000	前照灯支架	Headlamps bracket	1
3	63501-L515-0000	前照灯灯壳	headlight cover	1
4	63504-L515-0000	前照灯灯壳背板	back ,headlight cover	1
5				
6				
7				
8				
9				
10				
11				
12				
13				
14				
15				
16				
17				
18				
19				
20				



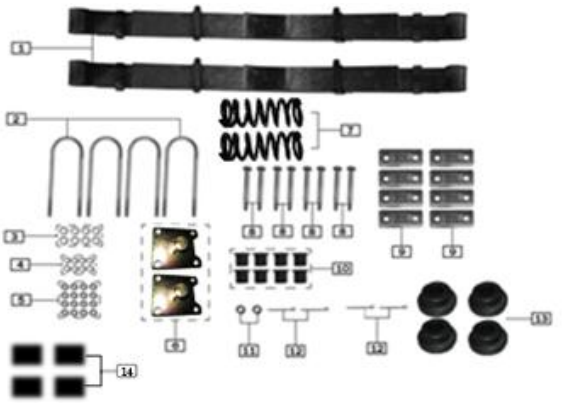
www.seacubemoto.com

后制动/braking				
序号RefNo.	编号Part No.	中文名称Chinese Description	英文名称English Description	数量Qty
	52105-HJ05-0000C	回位簧(Φ2.5×18laps×150)	Brake return spring Φ2.5 × Φ15 × 18laps × 150	2
2	52106-HJ05-0000	回位簧调节器(M8×80)	Return spring regulator (M8 × 80)	1
3	9131B-HJ05-0300	侧盖胶垫(Φ17×Φ8×2)	Side cover pads (Φ17 × Φ8 × 2)	8
4	52130-HJ05-0000	后刹前拉杆(带钩Φ7×800\彩锌)	Rear brake Former trolley Combination (Sided adjustment)	1
5	52140-HJ05-00000C	后刹后拉杆(带钩Φ7×830\彩锌)	Rear brake lever (of Hooked Φ7 × 640)	2
6	52143-HJ05-00000C	调节销(Φ11.6×32带销孔\彩锌)	Adjustment pin	2
7	52142-HJ05-00000C	刹车杆调节螺母M8(专用\彩锌)	Brake lever adjusting nut	2
8	GB/T 95-2002	平垫圈 Φ8	Flat washer	2
9	52141-HJ05-00000C	弹簧(Φ14×15圈Φ1\彩锌)	springs	2
10	52002-HJ05-00006N	拉筒(Φ26×1000\粉亮黑)	Pull the tube (Φ26 × 785)	2
11	52120-HJ05-00006N	刹车臂(专用\粉亮黑)	Brake arm (dedicated)	1
12	52003-HJ05-00000C	调节器(单叉/孔中心到端头M16×150\彩锌)	Regulator (single fork / hole center to end M16 × 150)	2
13	52123-HJ05-00000C	刹车踏板轴(Φ17×83)带销孔\彩锌)	The brake pedal shaft (Φ17 × 83) with pin hole	1
14	63111-HJ05-00000C	前挡泥板线卡(彩锌)	Front fender line clip	1
15	GB/T 91-2000	销2.5×32	Open pin 2×16	4
16	GB/T 95-2002	平垫圈 Φ12	Flat washer	4
17	GB/T882-2002	销轴12×45		4
18				
19				
20				



	序号RefNo.	编号Part No.	中文名称Chinese Description	英文名称English Description	数量Qty	
  	1	51100-SECT-0000	前减震器	front shock absorber	1	
	2	63104-L515-0000	前挡泥板	front fender	1	
	3	51102-M810-0000	前轮左衬套	Left bush, front wheel	1	
	4	51101-M810-0000	前轮右衬套	Right bush, front wheel	1	
	5	51181-M810-0000	前轮轴	Axle, front wheel	1	
	6					
	7					
	8					
	9					
	10					
	11					
	12					
	13					
	14					
	15					
	16					
	17					
	18					
	19					
	20					

后减震器Rearshock absorber				
序号RefNo.	编号Part No.	中文名称Chinese Description	英文名称English Description	数量Qty
	33000-L515-0000	板簧 (180mm)	Leaf spring	2
1	33001-L515-0000	板簧U形螺栓 (180mm)	U-bolt, leaf spring	4
2	GB/T 95-2002	平垫圈10	Washer10	8
3	GB/T 93-1987	弹簧垫圈10	Spring washer10	8
4	GB/T 6170-2000	螺母M10	Nut M10	16
5	33010-L515-0000	板簧压板	Clamp, leaf spring	2
6	33007-J806-0000	圆柱弹簧 (160mm)	Conical spring	2
7	GB/T 31.1-1988	六角头螺栓M12×110	bolt M12 x 110	8
8	33002-L515-0000	板簧吊耳	Leaf spring lug	8
9	33004-L515-0000	板簧后减震胶套 (带铁芯)	Rubber bush, leaf spring	8
10	GB/T 6170-2000	螺母M12	Nut M12	2
11	GB/T 91-2000	销2.5×32	Open pin 2×16	4
12	33014-L515-0000	柱型簧胶垫	rubber cushion, spring	4
13	33013-L515-0000	板簧减震胶 (副钢板胶套)	rubber, steel plate	2
14				
15				
16				
17				
18				
19				
20				



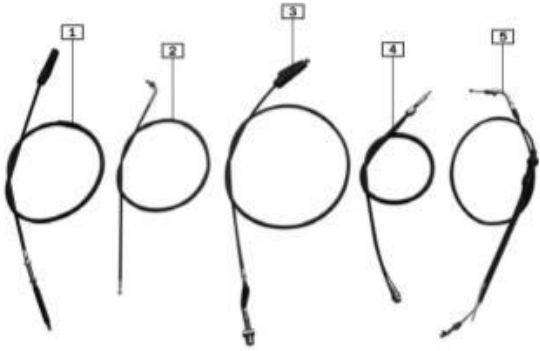
www.seacubemoto.com

方向把管Tube, steering handlebar				
序号RefNo.	编号Part No.	中文名称Chinese Description	英文名称English Description	数量Qty
	84400-L515-0000	右组合开关	Right switch assembly	1
2	72020-L515-0000	右手把胶套组合	Rubber bush assembly, right handlebar	1
3	72101-L515-0100	方向把管	Tube, steering handlebar	1
4	72200-L515-0000	左手把座总成	Left handlebar	1
5	72300-L515-0000	右手把座总成	Right handlebar	1
6	72010-L515-0000	左手把胶套	Rubber bush, left handlebar	1
7	84400-L515-0000	左组合开关	Left switch assembly	1
8	08216-L515-0000	扎带	Cable ties	4
9	69120-HJ05-00006N	左后视镜	Left rear view mirror	1
10	69110-HJ05-00006N	右后视镜	Right rear view mirror	1
11				
12				
13				
14				
15				
16				
17				
18				
19				
20				



www.seacubemoto.com

拉索Cable				
序号RefNo.	编号Part No.	中文名称Chinese Description	英文名称English Description	数量Qty
	7400-L515-0000	离合拉索	Cable, clutch	1
2	72700-L515-0000	风门拉索	Cable, choke	1
3	72500-L515-0000	前制动拉索	Cable, front brake	1
4	87300-L515-0000	里程表软轴	Cable, odometer	1
5	72400-L515-0000	油门拉索	Cable, throttle	1
6				
7				
8				
9				
10				
11				
12				
13				
14				
15				
16				
17				
18				
19				
20				



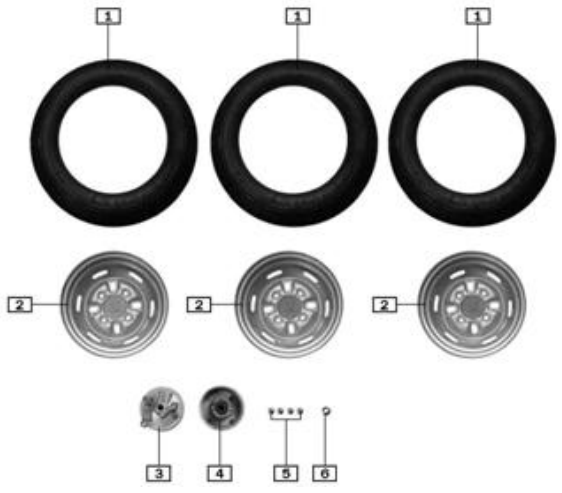
www.seacubemoto.com

尾灯Rear lamp assembly				
序号RefNo.	编号Part No.	中文名称Chinese Description	英文名称English Description	数量Qty
1	86405-560-000	左后尾灯总成	Rear lamp assembly-L	1
2	86250-L515-0000	右后尾灯总成	Rear lamp assembly-R	1
3	86700-L515-0000	后牌照灯	rear license light	1
4				
5				
6				
7				
8				
9				
10				
11				
12				
13				
14				
15				
16				
17				
18				
19				
20				



www.seacubemoto.com

车轮Wheel				
序号RefNo.	编号Part No.	中文名称Chinese Description	英文名称English Description	数量Qty
		轨道	Tracks	3
2	51220-M810-0000	后轮组件	Rear wheel	3
3	54100-M810-0000	前制动器	Front brake	1
4	51130-J806-0000	三轮互换器	Three rounds of the exchange	1
5	51134-J806-0000	三轮互换器螺母M12	Three rounds of the exchange nut M12	4
6	GB/T 6170-2000	螺母M20	Nut M20	1
7				
8				
9				
10				
11				
12				
13				
14				
15				
16				
17				
18				
19				
20				



www.seacubemoto.com

空气滤清器/化油器Air cleaner/Carburetor				
序号RefNo.	编号Part No.	中文名称Chinese Description	英文名称English Description	数量Qty
	15005-FC-2000	空气滤清器	Air cleaner	1
2	GB/T 818-2000	螺栓M6×16	Bolt M6×16	1
3	GB/T 6170-2000	螺母M6	Nut M6	3
4	GB/T 5781-2000	螺栓M6×20	Bolt M6×20	2
5	15800-L515-0000	进气管	Intake pipe	1
6	81101-L515-0000	高压线夹	High tension line clip	1
7	17100-L515-0000	化油器	Carburetor	1
8	31334-M810-0000	空气滤清器支架	Air cleaner bracket	1
9				
10				
11				
12				
13				
14				
15				
16				
17				
18				
19				
20				



www.seacubemoto.com

工具箱Toolbox		序号RefNo.	编号Part No.	中文名称Chinese Description	英文名称English Description	数量Qty
		1	64070-L515-0000	工具箱锁	Tool box lock	1
		2	GB/T 5781-2000	螺栓M8×25	Bolt M8×25	3
		3	GB/T 95-2002	平垫圈8	Washer 8	6
		4	GB/T 93-1987	弹簧垫圈8	Spring washer 8	3
		5	GB/T 6170-2000	螺母M8	Nut M8	3
		6	64070-L515-0000	工具箱组件	Tool box	1
		7				
		8				
		9				
		10				
		11				
		12				
		13				
		14				
		15				
		16				
		17				
		18				
		19				
		20				

座垫Seat cushion				
序号RefNo.	编号Part No.	中文名称Chinese Description	英文名称English Description	数量Qty
	41200-L515-0000	后背	Back	1
2	GB/T 845-1985	螺钉ST4.8×16	screw ST4.8×16	4
3	GB/T 95-2002	垫圈6	Washer 6	4
4	41200-L515-0000	座垫	Seat cushion	1
5	GB/T 5781-2000	螺栓M8×25	Bolt M8×25	4
6	GB/T 96.2-2002	平垫圈8	Washer 8	8
7	GB/T 93-1987	弹簧垫圈8	Spring washer 8	4
8	GB/T 6170-2000	螺母M8	Nut M8	4
9				1
10				
11				
12				
13				
14				
15				
16				
17				
18				
19				
20				



www.seacubemoto.com

前脚踏Pedal				
序号RefNo.	编号Part No.	中文名称Chinese Description	英文名称English Description	数量Qty
	32120-L515-0000	左脚踏板组件	Left pedal components	1
2	32120-L515-0000	右脚踏板组件	Right pedal components	1
3	GB/T 5781-2000	螺栓M8×20	Bolt M8×20	4
4	GB/T 93-1987	弹簧垫圈8	Spring washer 8	4
5	GB/T 6170-2000	螺母M8	Nut M8	4
6				
7				
8				
9				
10				
11				
12				
13				
14				
15				
16				
17				
18				
19				
20				



www.seacubemoto.com

脚踏操纵件Foot control parts				
序号RefNo.	编号Part No.	中文名称Chinese Description	英文名称English Description	数量Qty
1	21200-M810-0000	变速箱	Gear shift pedal	1
2	21200-M810-0000	启动臂	Start arm	1
3				
4				
5				
6				
7				
8				
9				
10				
11				
12				
13				
14				
15				
16				
17				
18				
19				
20				

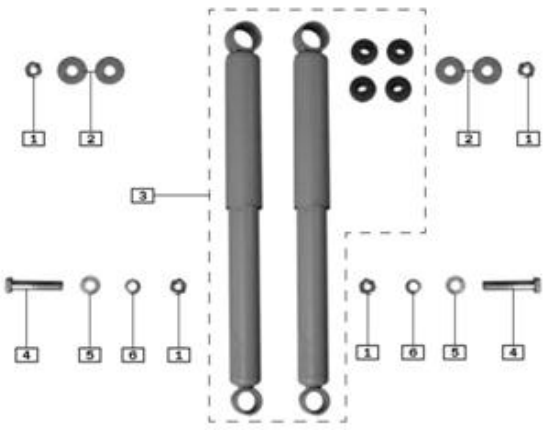


www.seacubemoto.com

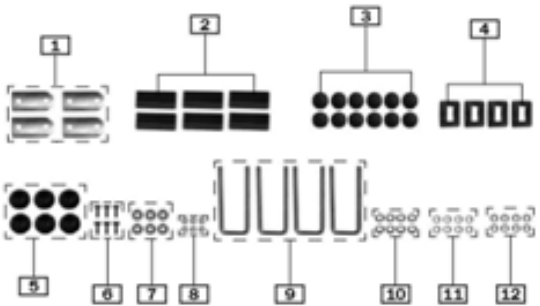
	序号RefNo.	编号Part No.	中文名称Chinese Description	英文名称English Description	数量Qty
	1	63303-L515-0000	右侧盖	Right side cap	1
	2	63301-L515-0000	左侧盖	Left side cap	1
	3	GB/T 5781-2000	螺栓M6×20	Bolt M6×20	8
	4	GB/T 96.2-2002	平垫圈6	Washer 6	8
	5	64604-J806-0000	天窗盖防水胶垫	Rubber flat mat	8
	6	GB/T 6170-2000	螺母卡子	Nut bands	6
	7	63303-L515-0000	侧盖上安装支架	On the side cover mounting bracket	1
	8	GB/T 5781-2000	螺栓M6×20	Bolt M6×20	1
	9	GB/T 96.2-2002	平垫圈6	Washer 6	2
	10	GB/T93-1987	弹簧垫圈6	Spring washer	1
	11	GB/T 6170-2000	螺母M6	Nut M6	1
	12	83200-HJ05-0000	电瓶(12V9A) (136×132×73)	Battery (12V9A) (136 × 132 × 73)	1
	13	83230-HJ05-0000	电解液	Electrolyte	1
14					
15					
16					
17					
18					
19					
20					

阻尼器Amortisseur				
序号RefNo.	编号Part No.	中文名称Chinese Description	英文名称English Description	数量Qty
		螺母10	Nut M10	4
2	GB/T 5287-2002	垫圈12	Washer 12	4
3	33030-L515-0000	阻尼器	Amortisseur	2
4	GB/T 5781-2000	螺栓M12×65	Bolt M12 × 65	2
5	GB/T 95-2002	平垫圈12	Washer 12	2
6	GB/T 93-1987	弹簧垫圈12	Spring washer 12	2
7				
8				
9				
10				
11				
12				
13				
14				
15				
16				
17				
18				
19				
20				

www.seacubemoto.com



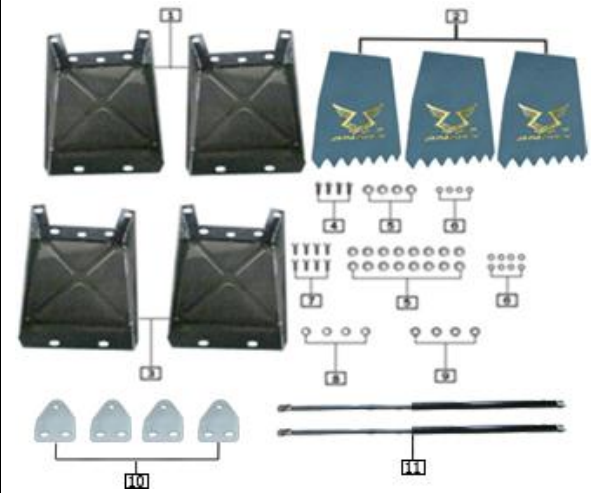
车箱安装件				
序号RefNo.	编号Part No.	中文名称Chinese Description	英文名称English Description	数量Qty
1	43007-L515-0000	车厢螺栓连接板	Car U bolt linking piece	4
2	43004-L515-0000	车厢胶垫	Car pads	6
3	43002-L515-0000	车厢胶塞	Car stopper	12
4	43012-L515-0000	车厢门锁减震胶	Car door lock shock absorption glue	4
5	43003-L515-0000	防撞胶垫	Prevent bump pads	6
6	GB/T 5781-2000	螺栓M6×20	Bolt M6×20	6
7	GB/T 95-2002	平垫圈6	Washer 6	6
8	GB/T 6170-2000	螺母M6	Nut M6	6
9	43001-L515-0000	车厢U型螺栓(方135)	Car U bolt	4
10	GB/T 95-2002	平垫圈10	Washer 6	8
11	GB/T 93-1987	弹簧垫圈10	Spring washer 10	8
12	GB/T 6170-2000	螺母M10	Nut M10	8
13				
14				
15				
16				
17				
18				
19				
20				



车箱Car		序号RefNo.	编号Part No.	中文名称Chinese Description	英文名称English Description	数量Qty
		1	00055-L515-0000	车箱总成	Car	1
		2	43101-L515-0000	车箱前板	Cabin front plate	1
		3	43105-L515-0000	车箱底板	Compartment floor	1
		4	43104-L515-0000	车箱右侧板	right side plates	1
		5	43103-L515-0000	车箱左侧板	left side plate	1
		6	43102-L515-0000	车箱尾板	Cabin transom	1
		7	43110-L515-00000C	车箱销子(Φ8.3×90\彩锌)	The compartment pin (Φ8.3 × 90)	10
		8	GB/T 91-2000	开口销 (1.5X25)	cotter pin (1.5X25)	10
		9	43201-HJ05-00000C	汽车门扣	door buckle	4
		10	00055-L515-0000	铭牌	model card	1
		11	8412A-L515-0000	示宽灯	width light	2
		12	GB/T12618.1-2006	铆钉	clinch	4
		13	GB/T 5783-2000	螺栓M8×25	Bolt M8 x 65	12
		14	GB/T 96-2000	平垫圈8	Washer 6	24
		15	GB/T 93-1987	弹簧垫圈8	Spring washers 8	12
		16	GB/T 6170-2000	螺母M8	Nut M8	12
		17				
		18				
		19				
		20				

后挡泥板Rear fender				
序号RefNo.	编号Part No.	中文名称Chinese Description	英文名称English Description	数量Qty
	43011-L515-0000	车厢支撑座	Supporting base, cargo box	4
	63950-L515-0000	车厢撑杆	supporting lever, cargo box	2
	12			
	13			
	14			
	15			
	16			
	17			
	18			
	19			
	20			
	2	前挡泥胶皮	Block rubber mud before	3
	3	后挡泥板后段	Rear part, rear fender	2
	4	螺栓M6×16	Bolt M6 × 16	4
	5	平垫圈6	Washer 6	20
	6	螺母M6	Nut M6	12
	7	螺栓M6×16	Bolt M6 × 16	8
	8	弹簧垫圈8	Spring washers 8	4
	9	螺母M8	Nut M8	4
	10	车厢支撑座	Supporting base, cargo box	4
	11	车厢撑杆	supporting lever, cargo box	2
	12			
	13			
	14			
	15			
	16			
	17			
	18			
	19			
	20			

www.seacubemoto.com

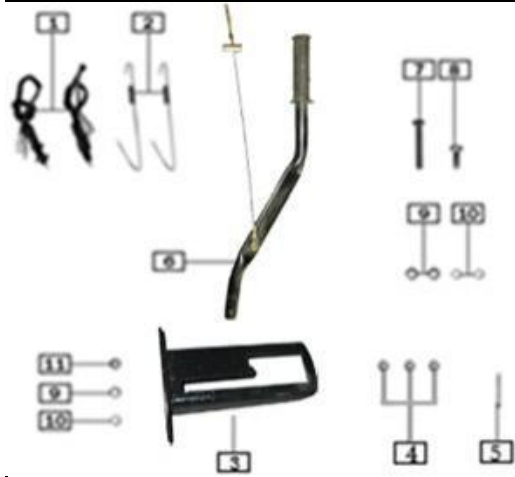


油冷总成					
序号RefNo.	编号Part No.	中文名称Chinese Description	英文名称English Description	数量Qty	
	90051-L515-0000	油冷器	oil cooler	1	
2	19302-L515-0000	油冷器支架	oil cooler bracket	1	
3	19301-L515-0000	油冷器油管	oil cooler pipe	2	
4	GB/T 5781-2000	螺栓M6×20	Bolt M6 × 20	4	
5	90251-L515-0000	铜垫	copper grommet	8	
6					
7					
8					
9					
10					
11					
12					
13					
14					
15					
16					
17					
18					
19					
20					

www.seacubemoto.com

电气元件Electric parts					
序号RefNo.	编号Part No.	中文名称Chinese Description	英文名称English Description	数量Qty	
	1	SA000-515-0000	主电缆	Main cable	1
	2	GB/T 5781-2000	螺栓M6×16	Bolt M6 × 16	2
	3	GB/T 6170-2000	螺母M6	Nut M6	5
	4	82290-L515-0000	启动继电器	Starting relay	1
	5	81100-L515-0000	点火线圈	Ignition coil	1
	6	85700-L515-0000	倒车语音提示器	Reverse speech cuing component	1
	7	85600-L515-0000	闪光器（无蜂鸣）	Flasher	1
	8	GB/T 5781-2000	螺栓M6×16	Bolt M6 × 16	1
	9	GB/T 95-2002	平垫圈6	Washer 6	1
	10	GB/T93-1987	弹簧垫圈6	Spring washers 6	1
	11	83100-L515-0000	整流调压器（12V11级）	Rectifier	1
	12	GB/T 5781-2000	螺栓M6×20	Bolt M6 × 20	2
	13	81200-L515-0000	点火器（直流12V11级）	Ignitor	1
	14	10008-0000-0000	主电缆线卡	main cable clip	1
15					
16					
17					
18					
19					
20					

驻车制动器/后制动踏板Parking brake/Brake pedal after				
序号RefNo.	编号Part No.	中文名称Chinese Description	英文名称English Description	数量Qty
	www.seacubemoto.com			
1	4400-560-2000	后制动开关	Rear braking lamp switch	2
2	84701-L515-0000	倒车开关弹簧	Switch spring, rear braking lamp	2
3	31212-L515-0000	手制动拉簧座		1
4	GB/T 6170-2000	螺母M8	Nut M8	3
5	GB/T 91-2000	开口销2.5×32	Open pin 2.5×32	1
6	52220-L515-0000	驻车制动器	Parking brake	1
7	GB/T 5783-2000	螺栓M8×60	Bolt M8 x 60	1
8	GB/T 5783-2000	螺栓M8×25	Bolt M8 x 65	1
9	GB/T 95-2002	平垫圈8	Washer 8	3
10	GB/T 93-1987	弹簧垫圈8	Spring washer 8	3
11				
12				
13				
14				
15				
16				
17				
18				
19				
20				



消声器Exhaust muffler				
序号RefNo.	编号Part No.	中文名称Chinese Description	英文名称English Description	数量Qty
	18000-L515-00066	消声器总成	Muffler assembly	1
2	18200-L515-000066	消声器后体(力道漆)	Muffler main body	1
3	18005-L515-000066	消声器后抱箍(亚黑)	Muffler hoop(behind)	2
4	18015-L515-00000C	消声器盖型螺母M8(彩锌)	The muffler cap nuts M8	2
5	18100-L515-000066	消声器前弯(力道漆)	Muffler precursors	1
6	18002-L515-00000C	消声器连接螺杆M10×52(带限位\彩锌)	Muffler connection screw M10 × 52 (with a limit)	2
7	18011-L515-000066	消声器前抱箍(亚黑)	Muffler hoop(front)	2
8	18004-L515-0000	消声器球形密封圈(石棉铅)	Muffler spherical ring (Lead)	1
9	18001-L515-0000	消声器铜垫(Φ40×Φ30×5)	muffler copper pad (Φ40 × Φ30 × 5)	1
10	18003-L515-00000C	消声器连接弹簧(Φ3×5圈×32\彩锌)	Muffler connection spring (Φ3 × 5 laps × 32)	2
11	18006-L515-0000	消声器软连接	Muffler Pads	3
12	18206-L515-0000	消声器后体吊耳	Muffler body bracket	1
13	18104-L515-0000	消声器前弯抱箍胶垫	Before the muffler bending embrace hoop pads	1
14				
15				
16				
17				
18				
19				
20				



www.seacubemoto.com

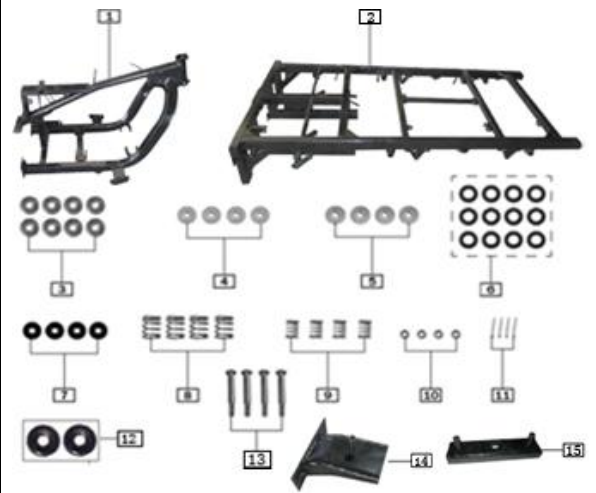
后桥总成/传动轴总成/倒档器总成 Rear axle assy./Secondary shaft assy./Reversing device				
序号RefNo.	编号Part No.	中文名称Chinese Description	英文名称English Description	数量Qty
		螺栓M6×35	Bolt M6×35	3
2	56100-L515-0000	倒档器总成	Reversing device assy	1
3	GB/T 6170-2000	螺母M10	Nut M10	2
4	GB/T 93-1987	弹簧垫圈10	Spring washer10	2
5	GB/T 95-2002	平垫圈10	Washer 10	2
6	56200-L515-0000	传动轴（带盘）1210mm	Secondary Sheave Assy	1
7	56205-HJ05-0000	后防尘罩（L=105）	Dust Cover at the back	1
8	56204-HJ05-0000	前防尘罩（L=135）	Dust Cover in the front (L=135)	1
9	56300-L515-0000	长安四孔（带盘）1040mm	Rear axle assy	1
10	31566-L515-0000	后制动后拉杆摇臂	arm ,rear brake lever	2
11				
12				
13				
14				
15				
16				
17				
18				
19				
20				

www.seacubemoto.com

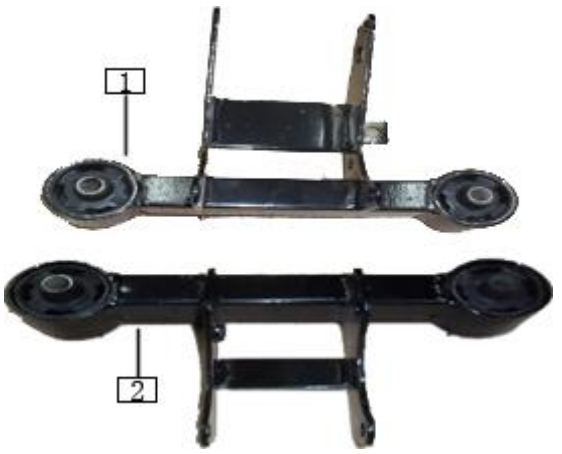


车架Frame				
序号RefNo.	编号Part No.	中文名称Chinese Description	英文名称English Description	数量Qty
	31200-L515-0000	车架前总成	front frame assy	1
2	31200-L515-0000	平架焊接	frame welding	1
3	32301-L515-0000	发动机减震胶垫 I ($\phi 35 \times \phi 12 \times 20$)	Engine mount I pads	8
4	32376-L515-0000	弹簧定位套 I	Spring I positioning sets	4
5	32377-L515-0000	弹簧定位套 II	Spring II positioning sets	4
6	32302-L515-0000	发动机减震胶垫 II ($\phi 35 \times \phi 12 \times 5$)	Engine mount II pads	12
7	32303-L515-0000	发动机减震胶垫 III ($\phi 25 \times \phi 12 \times 35$)	Engine mount III pads	4
8	32304-L515-0000	发动机减震弹簧 I	Spring I engine mount	4
9	32375-L515-0000	发动机减震弹簧 II	Spring II engine mount	4
10	GB/T 6170-2000	螺母 M10	Nut M10	4
11	GB/T 91-2000	开口销 2.5×32	Open pin 2.5×32	4
12	GB/T276-1994	轴承 30205	Bearing 30205	2
13	32306-L515-0000	发动机横梁连接螺栓	Beam engine connecting bolts	4
14	31224-L515-0000	备胎支架	spare tyre bracket	
15	33211-L515-0000	备胎托块	plate, spare tyre	
16				
17				
18				
19				
20				

www.seacubemoto.com



发动机托架Engine bracket				
序号RefNo.	编号Part No.	中文名称Chinese Description	英文名称English Description	数量Qty
1	32310-L515-0000	发动机前托架	engine front bracket	1
2	32320-L515-0000	发动机后托架	engine rear bracket	1
3				
4				
5				
6				
7				
8				
9				
10				
11				
12				
13				
14				
15				
16				
17				
18				
19				
20				
21				
22				



www.seacubemoto.com

随车工具/千斤顶				
序号RefNo.	编号Part No.	中文名称Chinese Description	英文名称English Description	数量Qty
1	06000-HI05-00000C	随车工具(五件套\彩绿)	Vehicle tools(A set of five)	1
2		千斤顶	Jack	1
4		套筒	jacket	1
5				
6				
7				
8				
9				
10				
11				
12				
13				
14				
15				
16				
17				
18				
19				
20				
21				
22				

www.seacubemoto.com

发动机Engine				
序号RefNo.	编号Part No.	中文名称Chinese Description	英文名称English Description	数量Qty
1	ZS1428	发动机总成180	sleeve	1
3				
4				
5				
6				
7				
8				
9				
10				
11				
12				
13				
14				
15				
16				
17				
18				
19				
20				
21				
22				



www.seacubemoto.com